

REVISIONS				
P.	LTN.	DESCRIPTION	DATE	APP'D.
A		RELEASED PER ECO-19-001811	05FEB2019	DCB AT

- ① HOUSING: LCP, UL94V0, COLOR: BLACK.
CONTACT: PHOSPHOR BRONZE.
POST: BRASS WIRE
- ② PLATED THROUGH HOLE PER TE SPEC 114-13056, FIGURE 4.
- ③ PLATED THRU HOLE SPECIFICATION:
DRILLED HOLE: $\varnothing 0.40 \pm 0.02$
0.025-0.050 THICK COPPER PLATING (MAX HARDNESS 150 KNOOP)
FINISH OPTIONS:
0.0038-0.0124 HOT AIR SOLDER LEVELING (HASL) TIN-LEAD (SnPb)
0.0005-0.004 IMMERSION TIN (Sn)
0.0002-0.0005 ORGANIC SOLDERABILITY PRESERVATIVE (OSP)
0.0001-0.0005 IMMERSION SILVER (Ag)
0.0001-0.0005 IMMERSION GOLD OVER 0.00127-0.0076 NICKEL (ENIG)
FINISH HOLE DIAMETER AFTER PLATING = $\varnothing 0.31$ REF
- ④ CONTACT: 1.27 μ m MIN GOLD IN PAD CONTACT AREA
1.27 μ m MIN TIN-LEAD ON PCB TAIL
OVER 1.27 μ m MIN NICKEL OVER ALL.
POST: 1.27 μ m MIN NICKEL PLATED.
- ⑤ SEE TABLE 1 FOR INTERCONNECTIONS TO BACKPLANE CONNECTOR.
- ⑥ CONTACT: 1.27 μ m MIN GOLD IN PAD CONTACT AREA,
1.27 μ m MIN TIN ON PCB TAIL OVER 1.27 μ m MIN.
NICKEL OVER ALL.
POST: 1.27 μ m MIN NICKEL PLATED.

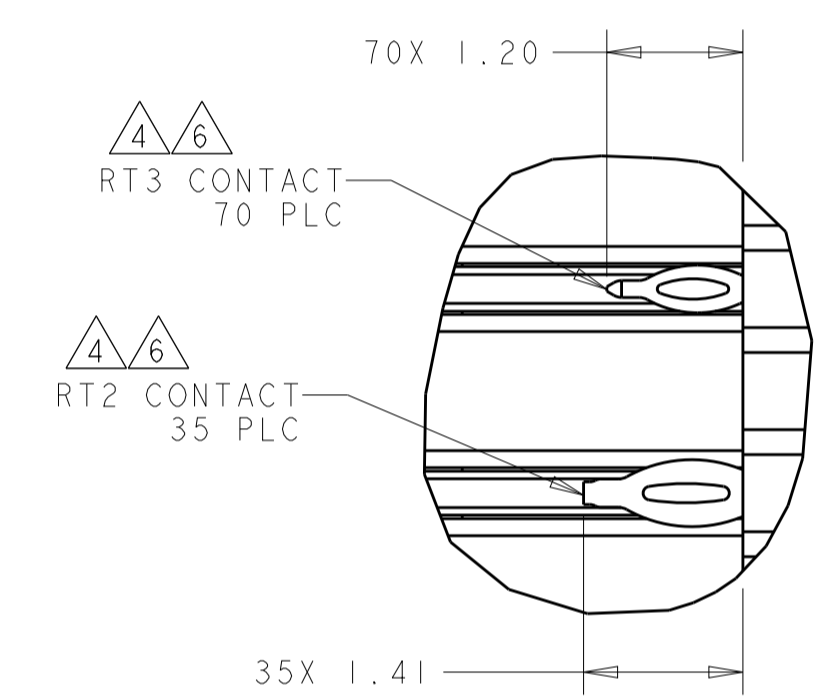
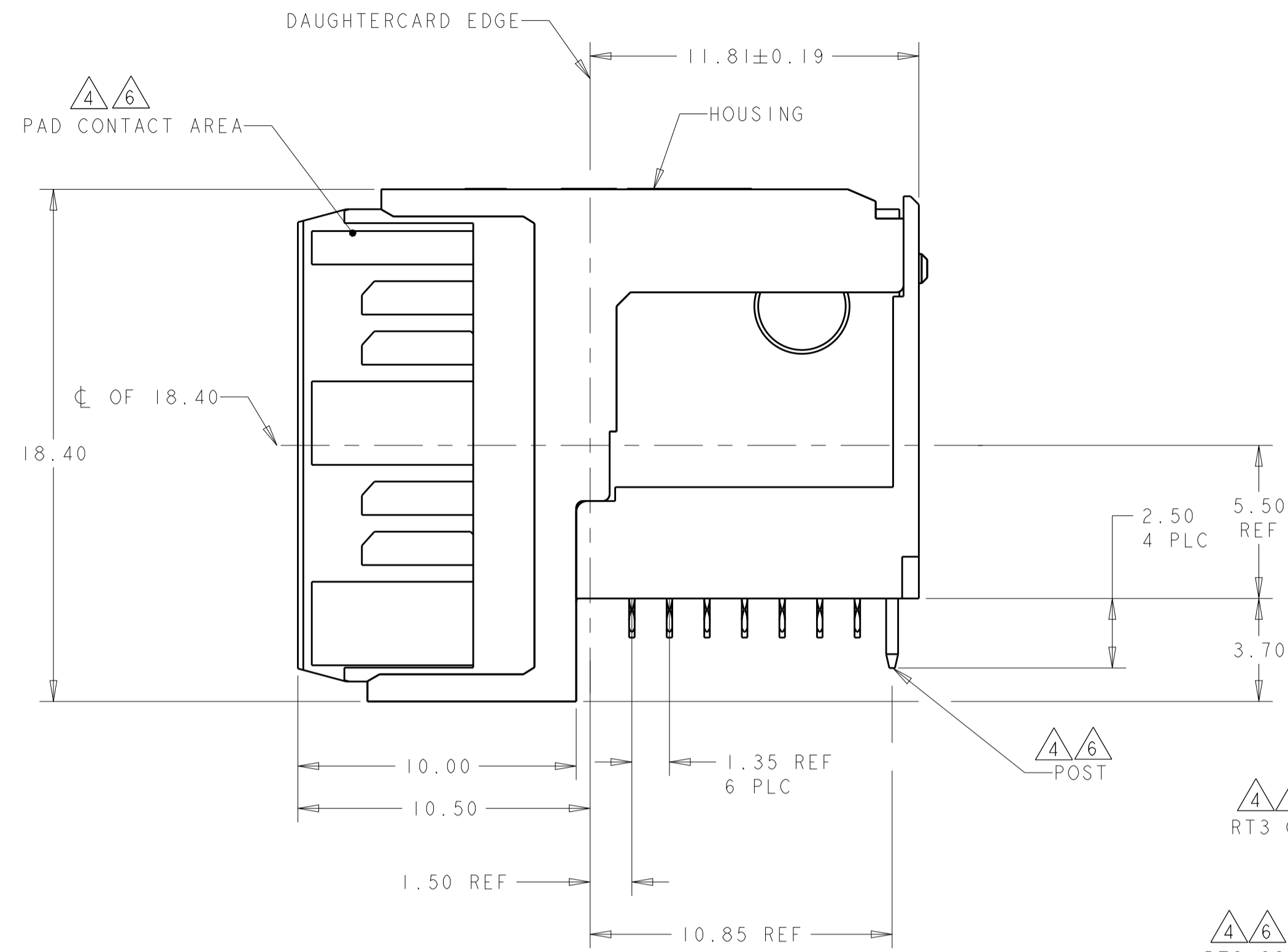
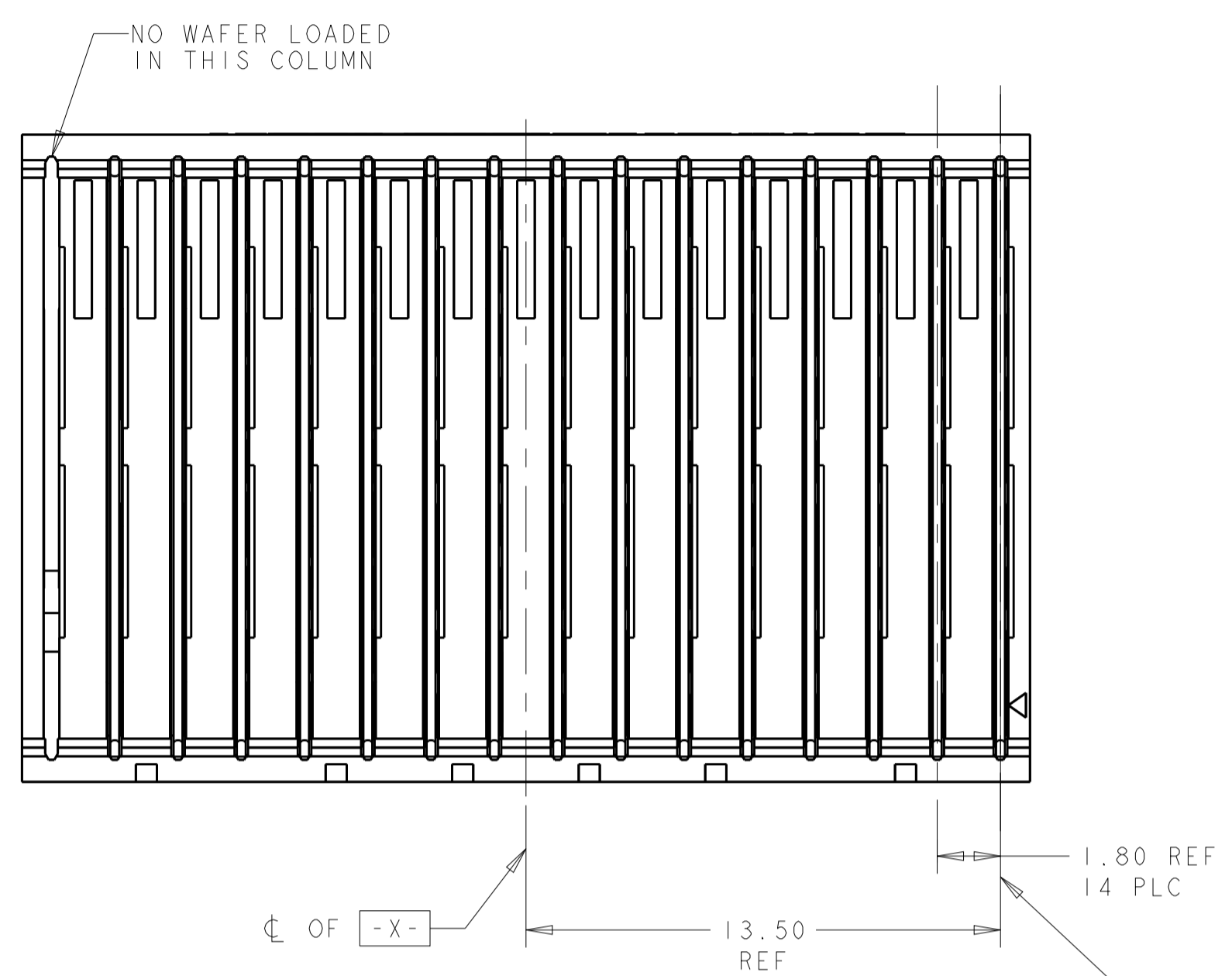


TABLE 1
INTERCONNECTIONS WITH BACKPLANE CONNECTOR
2302791 OR 2302792

TYPICAL INTERCONNECTIONS FOR COLUMN (WAFER): 7, 9, 11, 13, 15		
CONTACT USAGE	DAUGHTERCARD CONNECTOR PIN	BACKPLANE CONNECTOR PIN
SIGNAL PAIR	ax	ax
SIGNAL PAIR	bx	bx
SIGNAL PAIR	dx	ex
SIGNAL PAIR	ex	fx
SIGNAL PAIR	gx	ix
GROUPS	cx, fx, (ALL COMMONED)	cx, dx, gx, hx

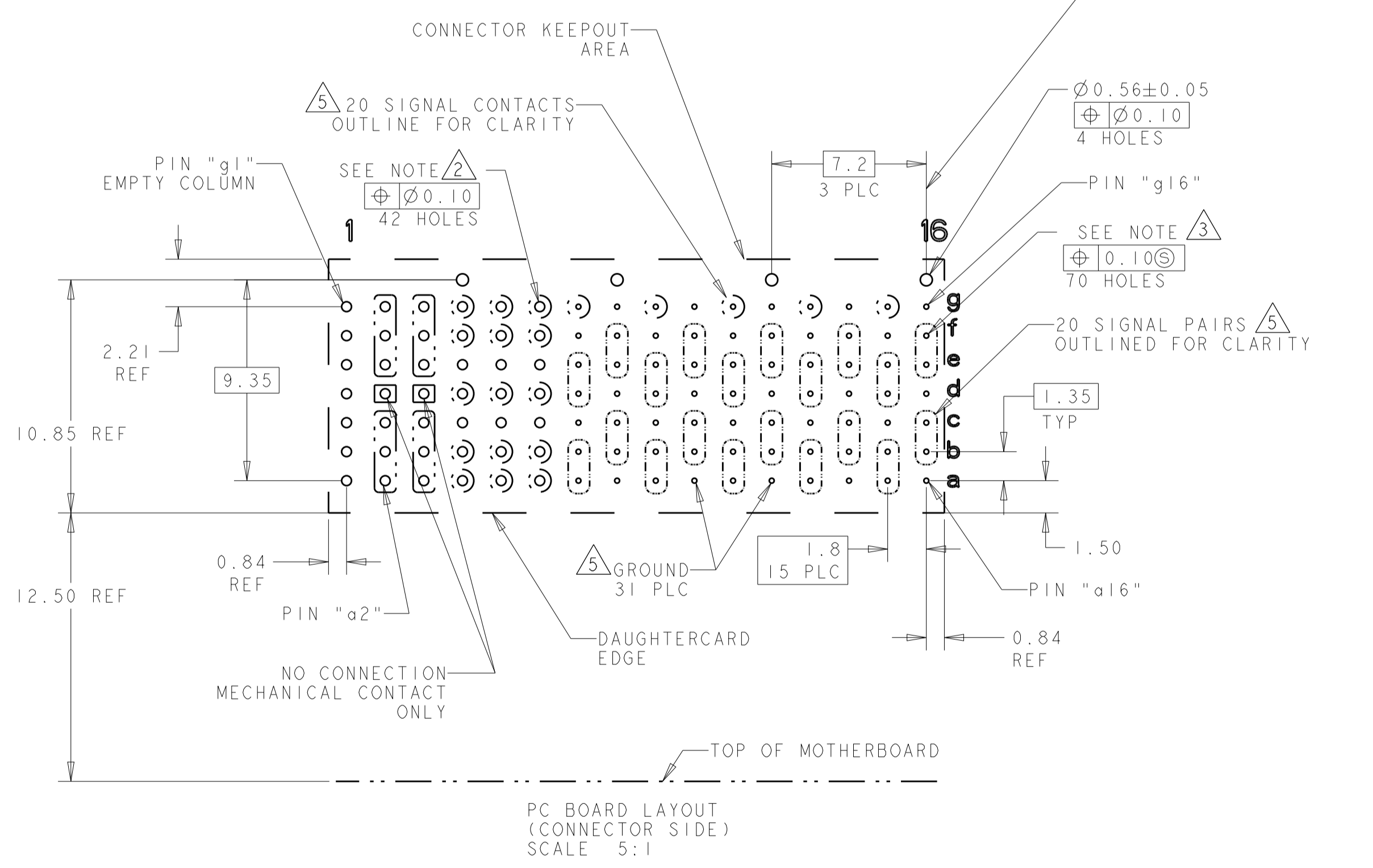
TYPICAL INTERCONNECTIONS FOR COLUMN (WAFER): 8, 10, 12, 14, 16		
CONTACT USAGE	DAUGHTERCARD CONNECTOR PIN	BACKPLANE CONNECTOR PIN
SIGNAL PAIR	bx	cx
SIGNAL PAIR	cx	dx
SIGNAL PAIR	ex	gx
SIGNAL PAIR	fx	hx
GROUPS	ax, dx, gx (ALL COMMONED)	ax, bx, ex, fx, ix

TYPICAL INTERCONNECTIONS FOR COLUMN (WAFER): 4, 5, 6		
CONTACT USAGE	DAUGHTERCARD CONNECTOR PIN	BACKPLANE CONNECTOR PIN
SIGNAL	ax	bx
SIGNAL	bx	cx
SIGNAL	dx	ex
SIGNAL	fx	gx
SIGNAL	gx	hx
GROUPS	cx, ex (ALL COMMONED)	ax, dx, fx, ix

TYPICAL INTERCONNECTIONS FOR COLUMN (WAFER): 2, 3		
CONTACT USAGE	DAUGHTERCARD CONNECTOR PIN	BACKPLANE CONNECTOR PIN
POWER	ax, bx, cx	ax, bx, cx, dx
POWER	ex, fx, gx	fx, gx, hx, ix
NOT CONNECTED	dx	ex

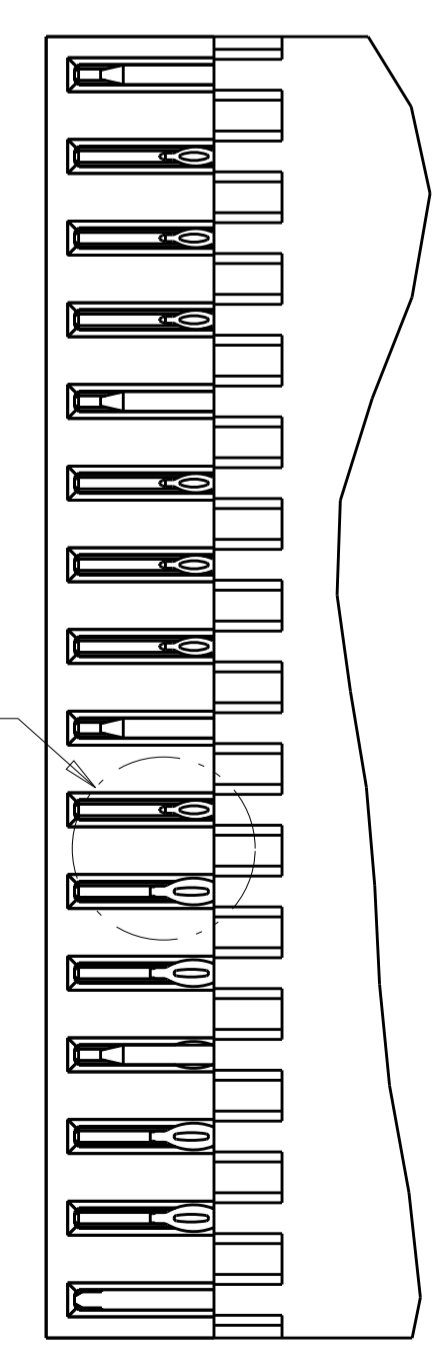
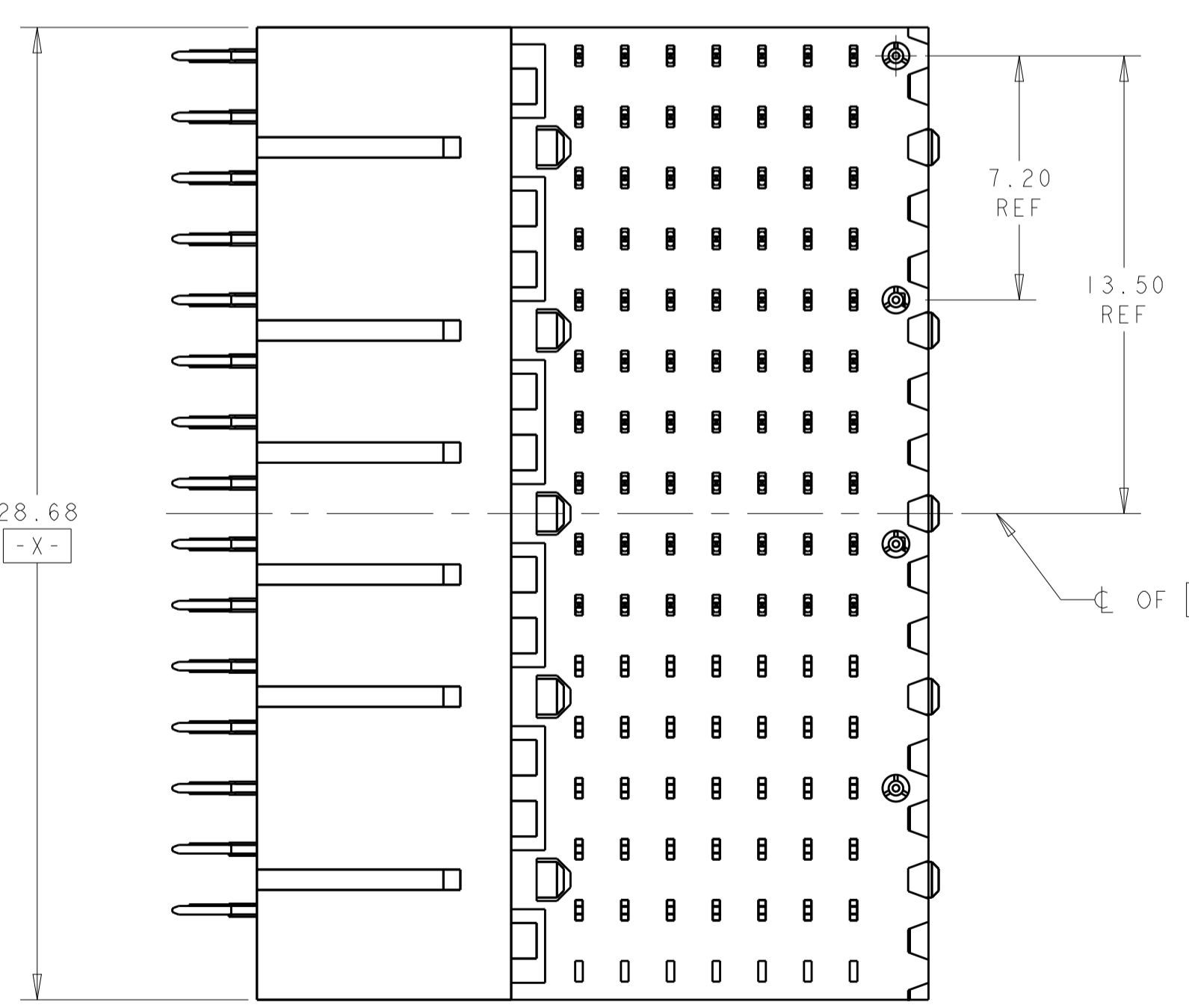
NOTE: "x" DESIGNATES THE COLUMN NUMBER

⑥	2302794-2
④	2302794-1
PLATING	PART NO



1	2	3	4	5	6	7	8	9	10	11	12	13	14	15	16
N	2	2	2	2	2	3	3	3	3	3	3	3	3	3	3
N	2	2	2	2	2	3	3	3	3	3	3	3	3	3	3
N	2	2	2	2	2	3	3	3	3	3	3	3	3	3	3
N	2	2	2	2	2	3	3	3	3	3	3	3	3	3	3
N	2	2	2	2	2	3	3	3	3	3	3	3	3	3	3
N	2	2	2	2	2	3	3	3	3	3	3	3	3	3	3
N	2	2	2	2	2	3	3	3	3	3	3	3	3	3	3
N	2	2	2	2	2	3	3	3	3	3	3	3	3	3	3
N	2	2	2	2	2	3	3	3	3	3	3	3	3	3	3
N	2	2	2	2	2	3	3	3	3	3	3	3	3	3	3
N	2	2	2	2	2	3	3	3	3	3	3	3	3	3	3

- 2 = RT2 CONTACT (SEE NOTE ②)
- 3 = RT3 CONTACT (SEE NOTE ③)
- N = NO CONTACT
- P = POST



THIS DRAWING IS A CONTROLLED DOCUMENT.		OWN: M. MILLER 10JUL2017	CHK: A. TSANG 10JUL2017	APVD: -	NAME: -
DIMENSIONS:	TOLERANCES UNLESS OTHERWISE SPECIFIED:	PRODUCT SPEC: 108-2072-3		APPLICATION SPEC: 114-163004	
mm	0 PLC ±0.13 2 PLC ±0.5 3 PLC ±0.13 4 PLC ±0.13 ANGLES ±1°	SIZE: 114-163004	WEIGHT: 9.98g	RESTRICTED TO: A100779C=2302794	
MATERIAL: -	FINISH: -	CUSTOMER DRAWING	SCALE: 5:1	SHEET: 1 OF 1	REV: A

X-ON Electronics

Largest Supplier of Electrical and Electronic Components

Click to view similar products for [High Speed/Modular Connectors](#) category:

Click to view products by [TE Connectivity](#) manufacturer:

Other Similar products are found below :

[650827-1](#) [74040-1346](#) [1410191-1](#) [1410368-3](#) [1410964-2](#) [1410326-3](#) [1410367-3](#) [1410971-4](#) [1467833-1](#) [2000877-1](#) [2000878-1](#) [2041314-1](#)
[2065387-1](#) [2187307-1](#) [163P](#) [1934290-1](#) [2000875-1](#) [2065917-1](#) [2102736-2](#) [FSR-40](#) [2169868-2](#) [22354-8](#) [437-5040-000](#) [5-1393565-0](#) [039-](#)
[0246-000](#) [0740618502](#) [0761601016](#) [0784461022](#) [10123159-12ELF](#) [030-2415-003/100 PK](#) [030-7380-004](#) [030-2494-001](#) [532939-1](#) [5532901-](#)
[3](#) [3-1469268-7](#) [74748-102LF](#) [10041743-101LF](#) [10066670-100002LF](#) [1-533915-1](#) [249-4515-000](#) [7-1469373-3](#) [DL2-2J/S](#) [2000713-8](#)
[2000713-7](#) [10124313-101LF](#) [3011-21](#) [757105208](#) [430305-001](#) [4395800100](#) [8140115](#)