

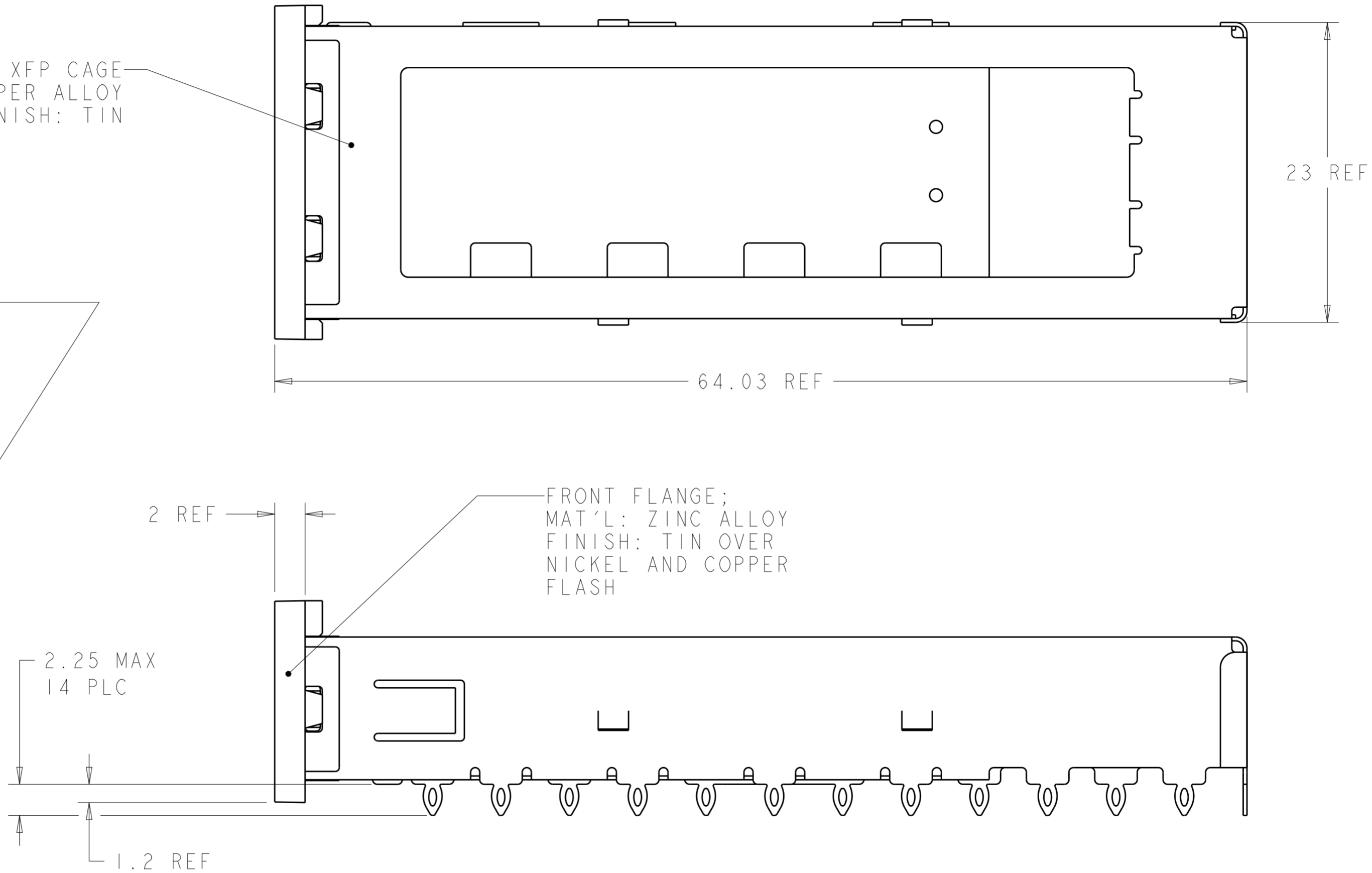
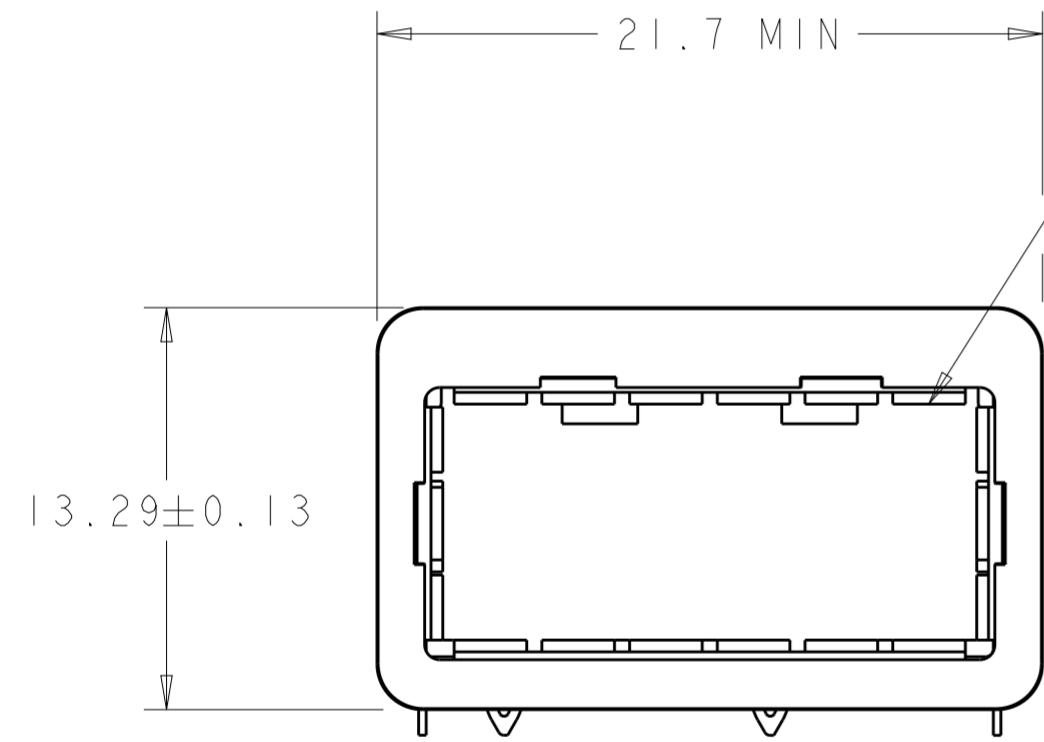
THIS DRAWING IS UNPUBLISHED. RELEASED FOR PUBLICATION 20
 © COPYRIGHT 20 BY - ALL RIGHTS RESERVED.

LOC	DIST	REVISIONS			
P	LTR	DESCRIPTION	DATE	DWN	APVD
ES	00	A	INITIAL RELEASE	02NOV2016	AJ SH

XFP CAGE
 MAT'L: COPPER ALLOY
 FINISH: TIN

FRONT EMI SPRING;
 MAT'L: COPPER ALLOY
 FINISH: TIN

FRONT FLANGE;
 MAT'L: ZINC ALLOY
 FINISH: TIN OVER
 NICKEL AND COPPER
 FLASH



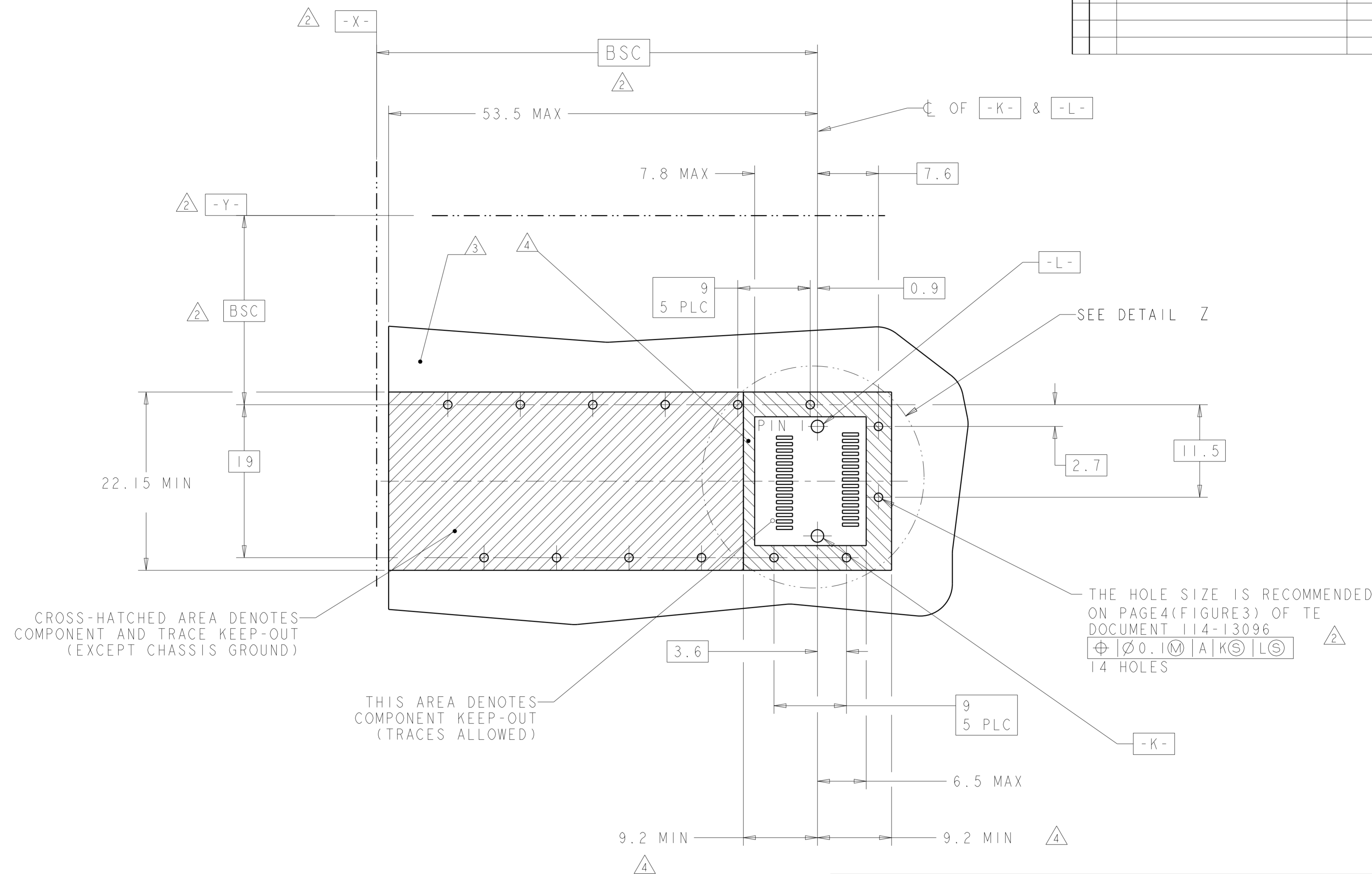
- ① MATES WITH XFP-MSA COMPLIANT TRANSCEIVERS.
- ② DATUM **-X-** AND **-Y-** ESTABLISHED BY CUSTOMER.
- ③ DATUM **-A-** IS TOP SURFACE OF HOST BOARD.
- ④ INDICATED SURFACES TO BE CONDUCTIVE AND CONNECTED TO CHASSIS GROUND.

2303074-1
 PART
 NUMBER

THIS DRAWING IS A CONTROLLED DOCUMENT.		DWN 18APR2016 ARTHUR JIN	STE TE Connectivity	
		CHK 18APR2016 SEAN HAN		
		APVD 18APR2016 SEAN HAN	NAME XFP CAGE ASSEMBLY FRONT EMI SPRING 10 GIGABIT	
DIMENSIONS: mm		PRODUCT SPEC 108-2127	SIZE A200779	CAGE CODE C-2303074
TOLERANCES UNLESS OTHERWISE SPECIFIED: 0 PLC ±.1 1 PLC ±.01 2 PLC ±.001 3 PLC ±.0001 4 PLC ±.0001 ANGLES ± FINISH		APPLICATION SPEC 114-13096	DRAWING NO	RESTRICTED TO
MATERIAL		WEIGHT	SCALE 4:1	SHEET 1 OF 3
		CUSTOMER DRAWING	REV A	

THIS DRAWING IS UNPUBLISHED. RELEASED FOR PUBLICATION 20
 © COPYRIGHT 20 BY - ALL RIGHTS RESERVED.

LOC	DIST	REVISIONS					
ES	00	P	LTR	DESCRIPTION	DATE	DWN	APVD
		-		SEE SHEET 1	-	-	-

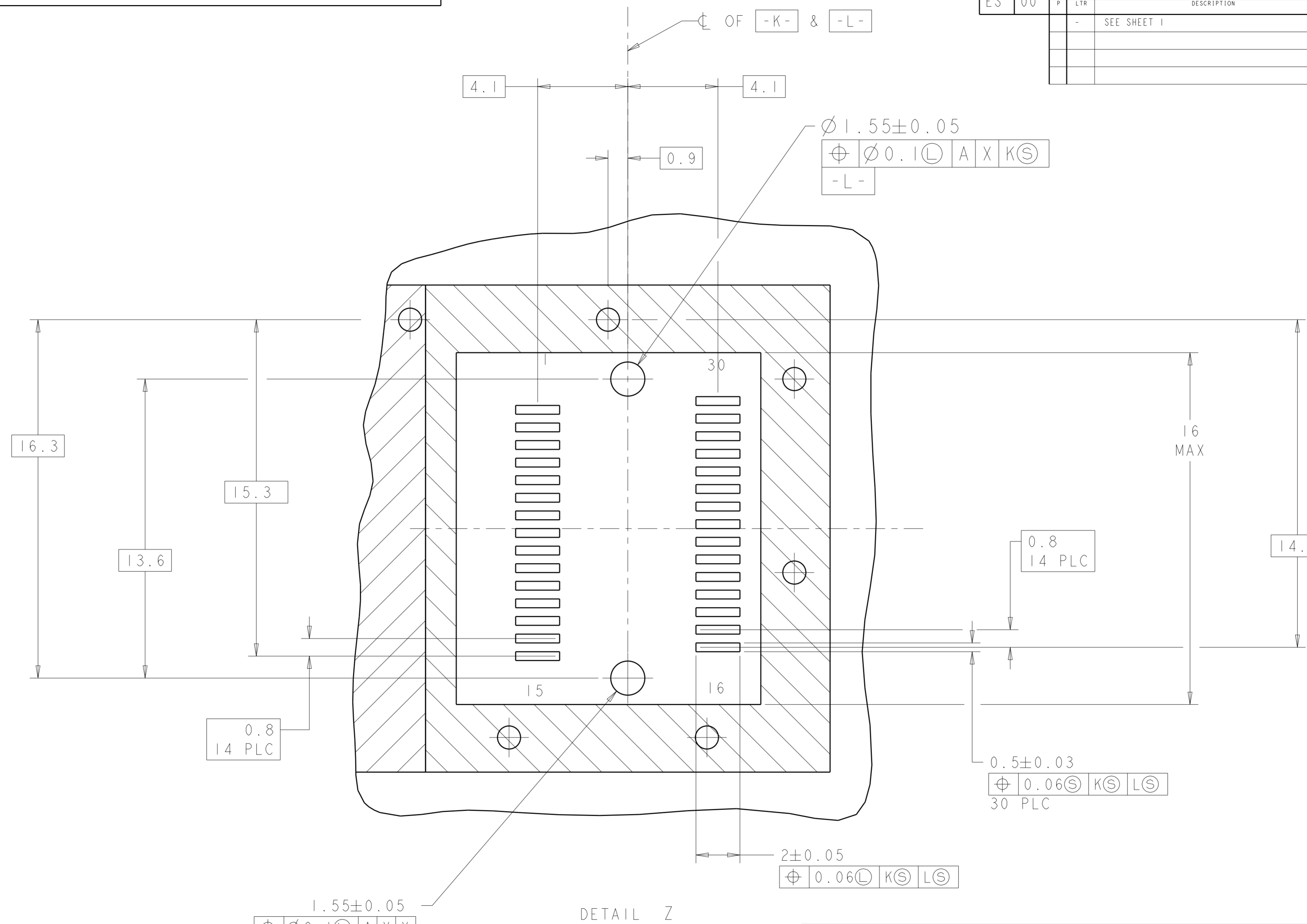


DETAILED HOST BOARD MECHANICAL LAYOUT

THIS DRAWING IS A CONTROLLED DOCUMENT.		DWN 18APR2016 ARTHUR JIN	TE Connectivity
DIMENSIONS: mm		CHK 18APR2016 SEAN HAN	
TOLERANCES UNLESS OTHERWISE SPECIFIED:		APVD 18APR2016 SEAN HAN	NAME XFP CAGE ASSEMBLY FRONT EMI SPRING 10 GIGABIT
0 PLC ±- 1 PLC ±.1 2 PLC ±.01 3 PLC ±.001 4 PLC ±.0001 ANGLES ±- FINISH ±-		PRODUCT SPEC 108-2127	SIZE A200779
MATERIAL -		APPLICATION SPEC 114-13096	DRAWING NO C-2303074
		WEIGHT -	RESTRICTED TO -
		CUSTOMER DRAWING	SCALE 2:1 SHEET 2 OF 3 REV A

THIS DRAWING IS UNPUBLISHED. RELEASED FOR PUBLICATION 20
 © COPYRIGHT 20 BY - ALL RIGHTS RESERVED.

LOC	DIST	REVISIONS			
P	LTR	DESCRIPTION	DATE	DWN	APVD
ES	00	SEE SHEET 1	-	-	-



DETAIL Z
SCALE 8:1

DETAILED HOST BOARD MECHANICAL LAYOUT

THIS DRAWING IS A CONTROLLED DOCUMENT.		DWN ARTHUR JIN 18APR2016	TE Connectivity
DIMENSIONS: mm		CHK SEAN HAN 18APR2016	
TOLERANCES UNLESS OTHERWISE SPECIFIED:		APVD SEAN HAN 18APR2016	
0 PLC ±.1 1 PLC ±.01 2 PLC ±.001 3 PLC ±.0001 4 PLC ANGLES ±.0001 FINISH ±.		NAME XFP CAGE ASSEMBLY FRONT EMI SPRING 10 GIGABIT PRODUCT SPEC 108-2127 APPLICATION SPEC 114-13096 WEIGHT -	
MATERIAL	-	CUSTOMER DRAWING	SIZE A200779 CAGE CODE C-2303074 DRAWING NO - RESTRICTED TO -
SCALE 1:1			SHEET 3 OF 3 REV A

X-ON Electronics

Largest Supplier of Electrical and Electronic Components

Click to view similar products for [I/O Connectors](#) category:

Click to view products by [TE Connectivity](#) manufacturer:

Other Similar products are found below :

[571763P](#) [72.250.1628.2](#) [72.250.2428.2](#) [74720-0505](#) [76.350.0729.0](#) [76871-1403](#) [FCN-244F080-G/1](#) [FCN-260A9920](#) [MP-5T180MUNNA-005](#)
[PCR-E36PM](#) [PCS-XE26MA+](#) [G38A71314B](#) [1571250010](#) [157-22500-3](#) [MS3471L14-19P L/C](#) [91-569786-35H](#) [172501-4002](#) [172501-6002](#)
[FCN-260C008-A/L0](#) [FCN-260C024-AL0](#) [FCN-261Z008](#) [2000314-1](#) [200331-1](#) [PCR-E36FC+](#) [PCS-E28FS+](#) [PCS-XE26SLFD+](#) [PCS-](#)
[XE26SLFDT+](#) [G730VID08BDC24](#) [U90B2054081210](#) [UE86K842720321](#) [38113800006](#) [DP3AR020WQ1R200](#) [Z4.102.0680.0](#) [500-1040](#)
[500-1052](#) [500-1054](#) [ZP-4008-66L](#) [0709821002](#) [10-565995-597N](#) [DX40-20P\(55\)](#) [5554841-1](#) [MS3474W18-8P-LC*](#) [U90B3054061110](#) [U65-](#)
[E04-4020](#) [ZPF000000000097891](#) [557-262M2-06C](#) [747360449](#) [10099439-003C-TRLF](#) [10137239-0021LF](#) [E9320-001-01](#)