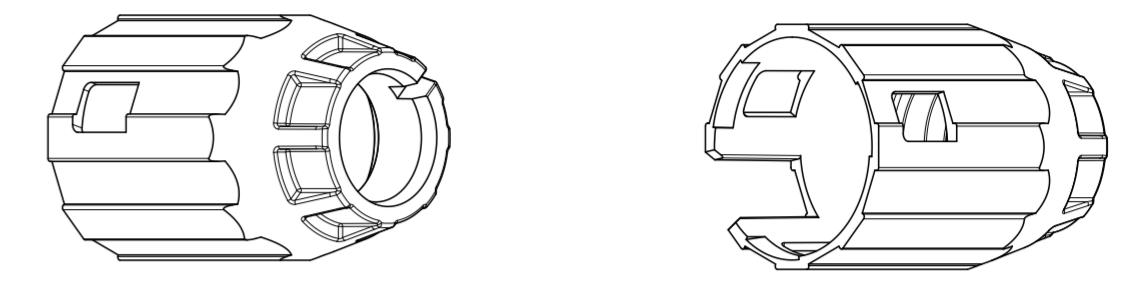
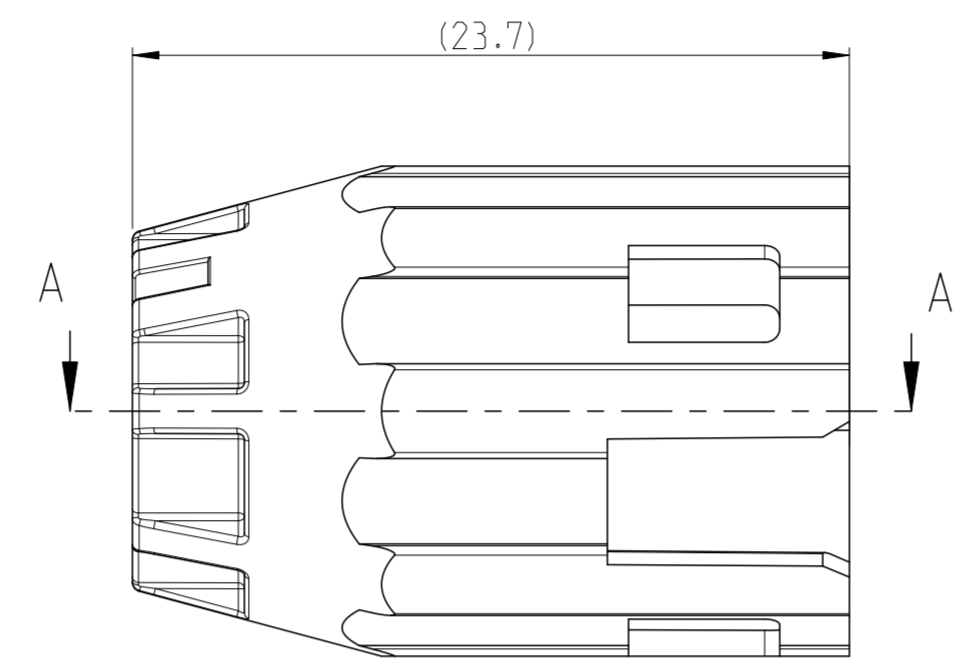
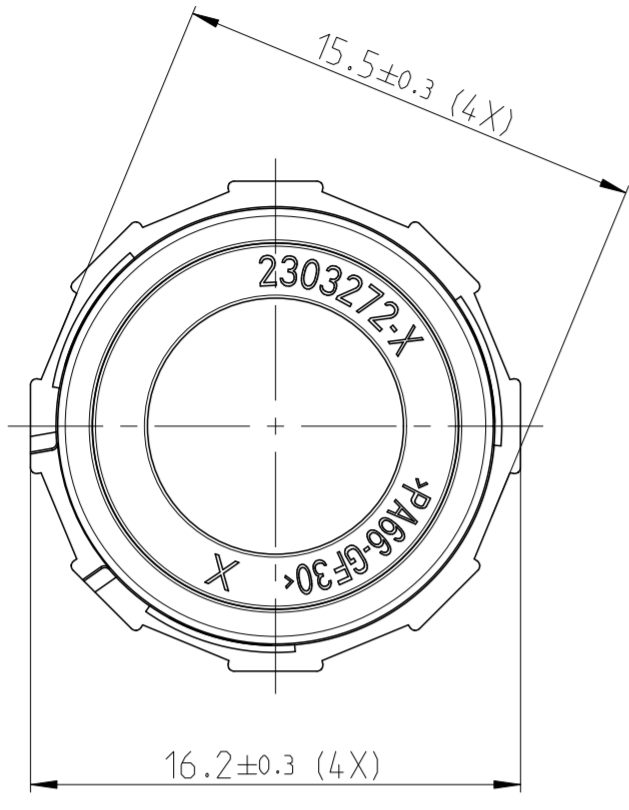


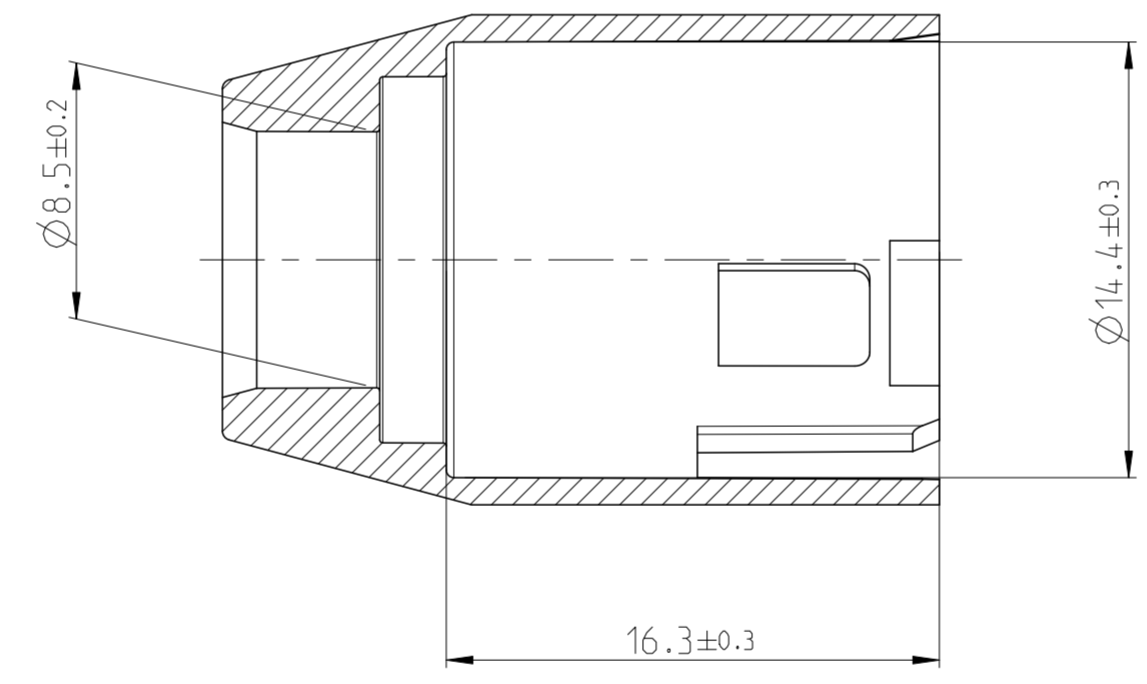
THIS DRAWING IS UNPUBLISHED. RELEASED FOR PUBLICATION 2011
 © COPYRIGHT 2011 ALL RIGHTS RESERVED.

LOC	DIST	REVISIONS			
P	LTR	DESCRIPTION	DATE	DWN	APVD
ES	00	A	RELEASED	11SEP16	JL IY



NOTES:

- 1 PACKAGING: BULK PACKAGING IN PLASTIC BAG AND CORRUGATED SHIPPING BOX



A-A

-1 AS SHOWN

TE-PART-NO.	DESCRIPTION	MATERIAL	SURFACE/COLOUR
2303272-3	FINGER PROTECTION CAP	PA66-GF HB FIRE RETARDANT	GRAY
2303272-2	FINGER PROTECTION CAP	PA66-GF VO FIRE RETARDANT	GRAY
2303272-1	FINGER PROTECTION CAP	PA66-GF VO FIRE RETARDANT	ORANGE

THIS DRAWING IS A CONTROLLED DOCUMENT.		DWN JLL 19APR2016	STE TE Connectivity	
DIMENSIONS: mm		CHK XX.LI 19APR2016		
TOLERANCES UNLESS OTHERWISE SPECIFIED:		APVD LYN 11SEP2016	NAME FINGER PROTECTION CAP	
0-PLC ± ±0.4		PRODUCT SPEC		
1-PLC ± ±0.4		APPLICATION SPEC		
2-PLC ± ±0.4		WEIGHT		
3-PLC ± ±0.4		SIZE CAGE CODE DRAWING NO RESTRICTED TO		
4-PLC ± ±0.4		A2 00779 C-2303272 -		
ANGLES ±°		SCALE 4:1 SHEET 1 OF 1 REV A		
FINISH		CUSTOMER DRAWING		

X-ON Electronics

Largest Supplier of Electrical and Electronic Components

Click to view similar products for [Automotive Connectors](#) category:

Click to view products by [TE Connectivity](#) manufacturer:

Other Similar products are found below :

[003-018-000](#) [60993906-B](#) [72.330.1035.1](#) [776880-1](#) [827153-1](#) [9-1326729-8](#) [9-221607-5](#) [925474-1](#) [928905-1](#) [964562-4](#) [968782-1](#) [98891-1012](#) [12004468](#) [12004475-L](#) [12004483](#) [12052466](#) [12066163](#) [12015909](#) [12077753](#) [1-21030-1](#) [12047957](#) [12047958](#) [12084688](#) [12185550](#) [12336-12](#) [1-326211-1](#) [13681974](#) [13688972](#) [13755420](#) [13779834](#) [13783086](#) [13843152](#) [13522378](#) [13581967](#) [13669624](#) [13675513](#) [13753471](#) [13946876](#) [13953457](#) [13955963](#) [13964573](#) [13971791](#) [13790534-L](#) [13797473](#) [13805590](#) [13888202](#) [1428188-1](#) [1437287-3](#) [1428188-2](#) [DS07-19S-5020](#)