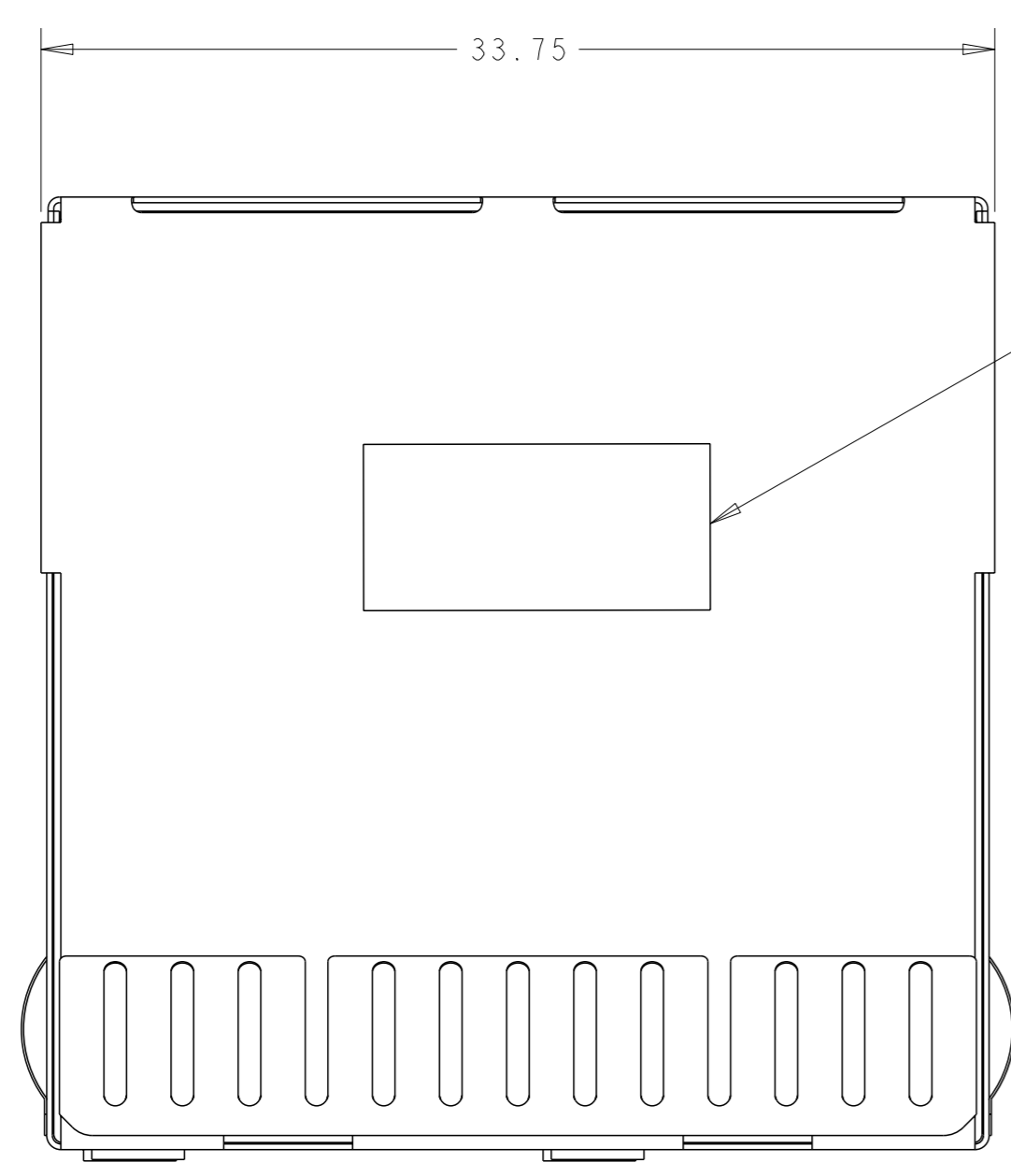
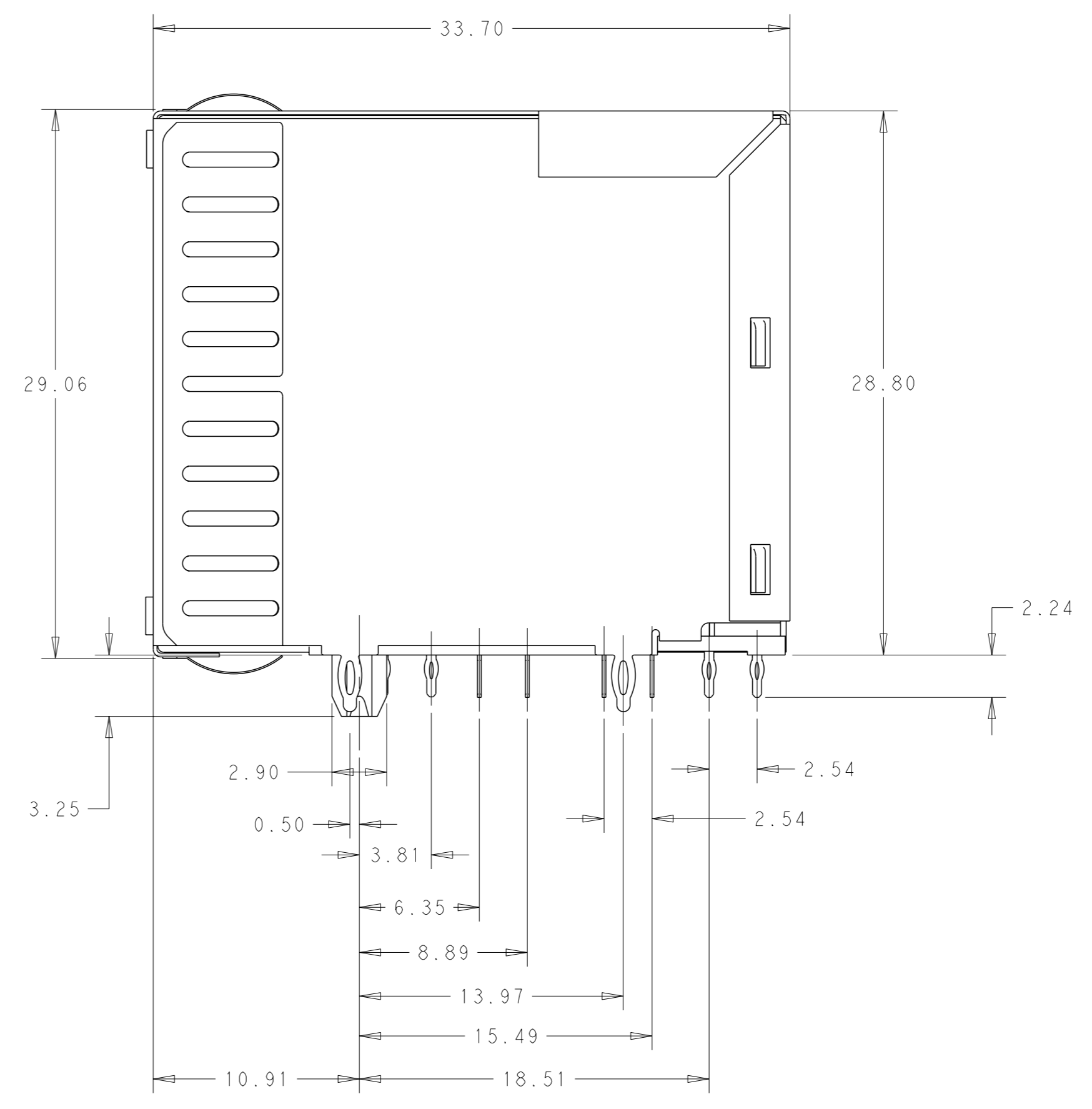
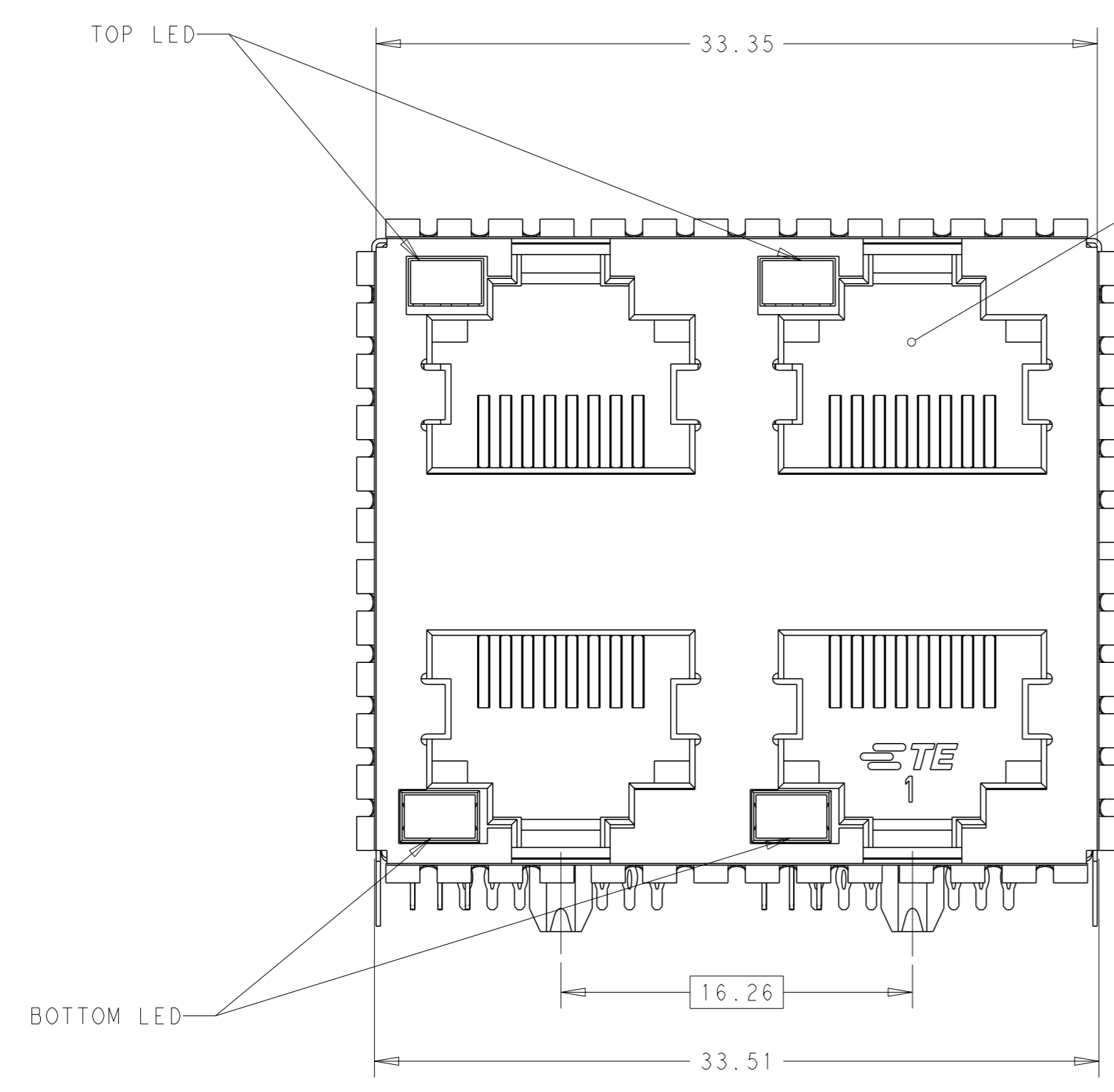


REVISIONS				
#	LY#	DESCRIPTION	DATE	OWN APVD
A		INITIAL RELEASE	25APR2016	LL SH



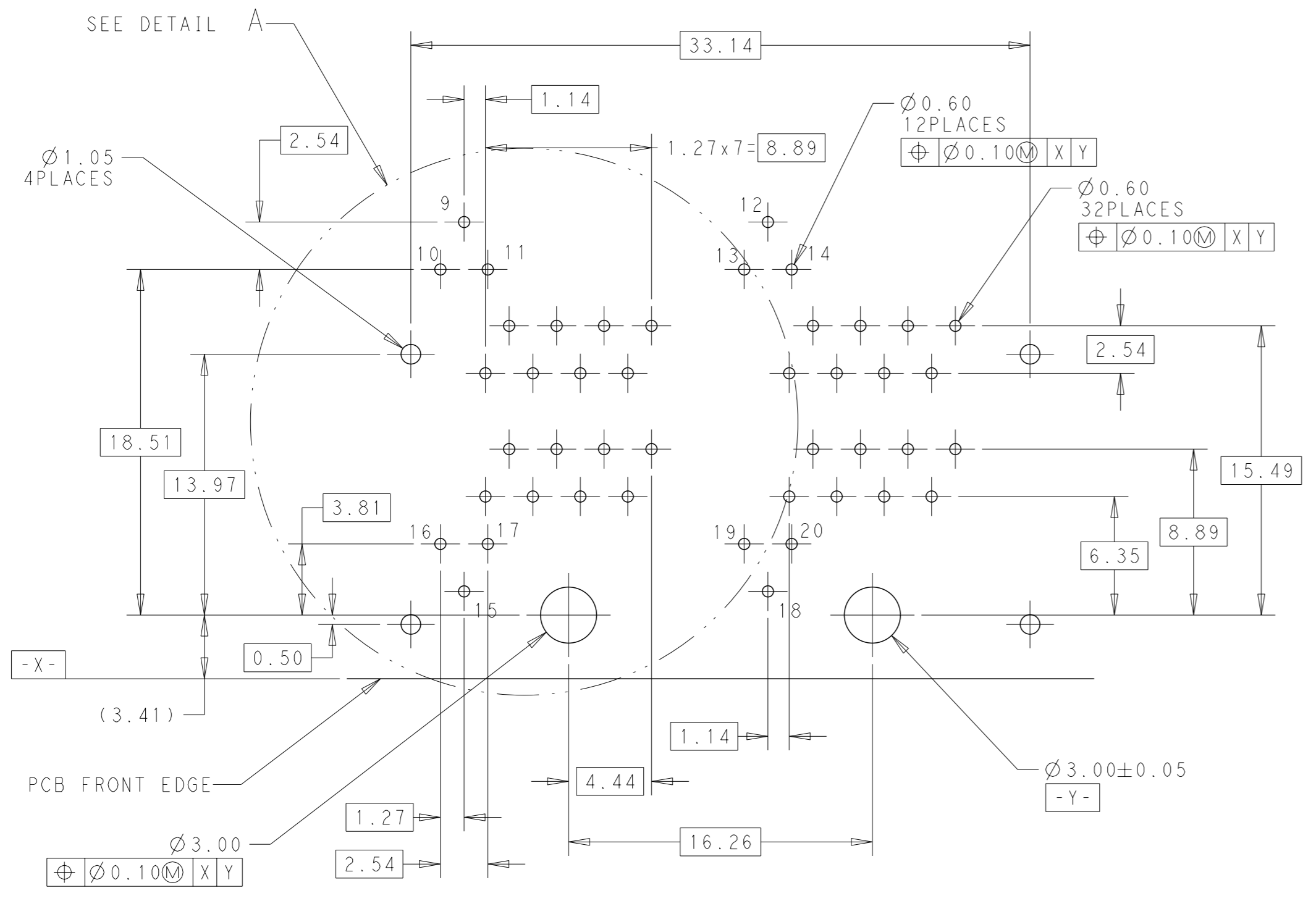
- 1 MATERIAL:
 HOUSING - HIGH TEMPERATURE THERMOPLASTIC, BLCBK, UL94V-0.
 OVERMOLDED TERMINAL ARRAY - HIGH TEMPERATURE THERMOPLASTIC, BLCBK.
 TERMINALS - 0.3 THICK PHOS BRONZE, PLATED WITH 0.76um MIN THICK GOLD ON CONTACT AREA AND 1.27um MINIMUM NICKEL UNDERPLATED OVERALL.
 PRESS FIT PINS- 0.2 THICK PHOS BRONZE, PLATED WITH 2.03um MATTE TIN IN EON AREA, AND 1.27um MINIMUM NICKEL UNDERPLATED OVERALL.
 SHIELD - 0.20 THICK COPPER ALLOY PREPLATED WITH 1.27um MIN NICKEL OVER ALL.
 COMPENSATION PCB: FR-4
 EMI SPRING - 0.08 THICK PHOS BRONZE, PLATED WITH 1.27um MIN NICKEL.
- 2 JACK CAVITY CONFORMS TO FCC RULES AND REGULATIONS PART 68, SUBPART F.
- 3 PART NUMBER, DATE CODE TO BE MARKED IN APPROXIMATE LOCATION SHOWN.



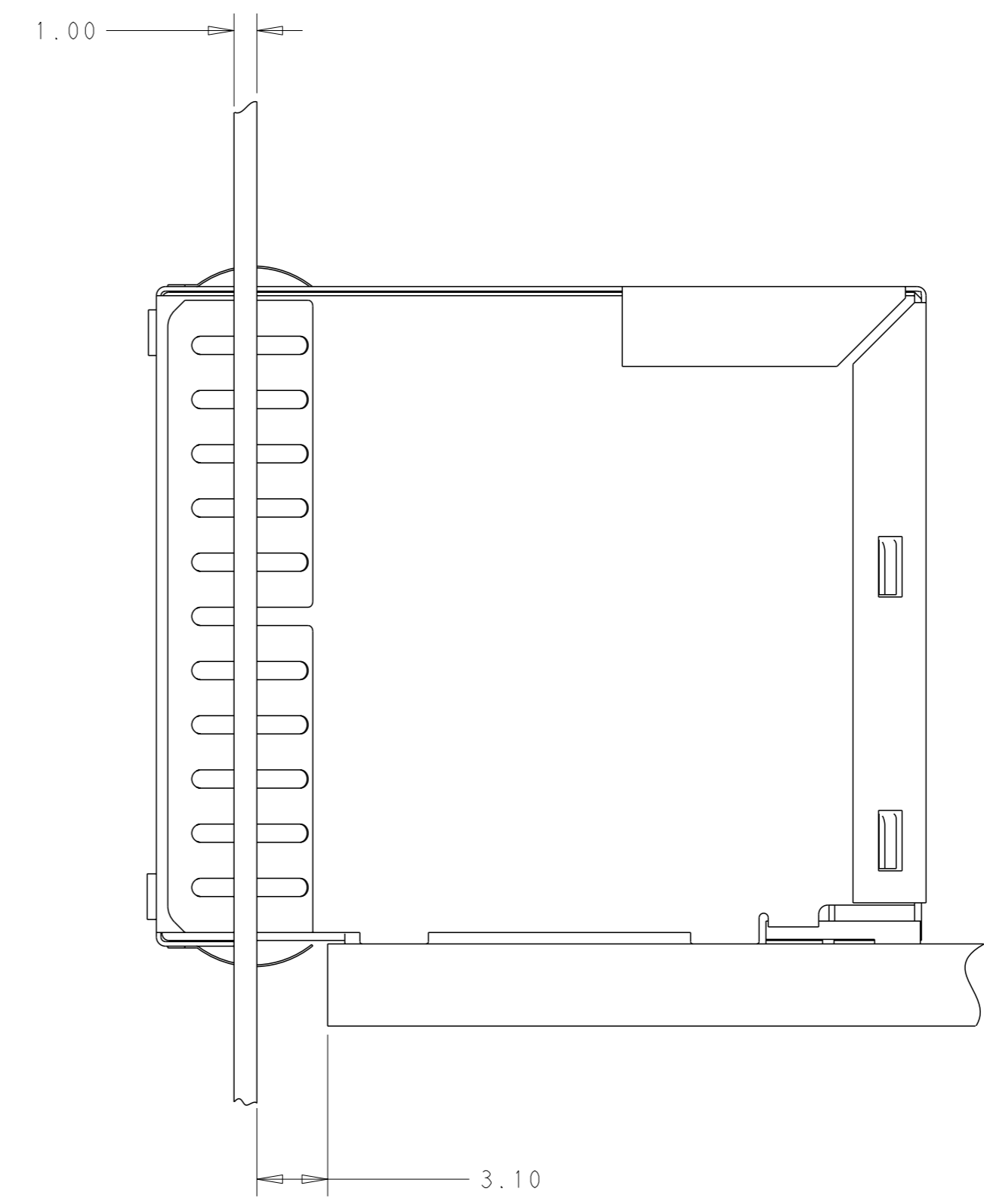
TRAY PACKAGE	2303402-1 PART NO.
--------------	--------------------

THIS DRAWING IS A CONTROLLED DOCUMENT.		OWN: LEO LI 25APR2016	TE Connectivity NAME: STACKED, MODULAR JACK RJ45 2X2 CAT5E, W/LED PRODUCT SPEC: 108-60109 APPLICATION SPEC: 114-60018	RESTRICTED TO: -	
DIMENSIONS: mm		CHK: SEAN HAN 25APR2016		SIZE: A1	SCALE: 4:1
TOLERANCES UNLESS OTHERWISE SPECIFIED:		APVD: SEAN HAN 25APR2016		CAGE CODE: 2303402	SHEET 1 OF 2
0 PLC ± 1 PLC ±0.25 2 PLC ±0.25 3 PLC ± 4 PLC ± ANGLES FINISH ±		WEIGHT: -		REV: A	

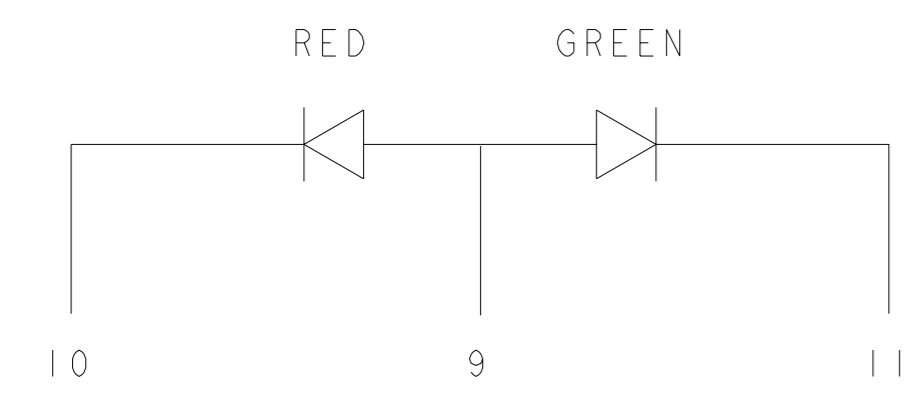
REVISIONS				
#	LY#	DESCRIPTION	DATE	OWN / APVD
-	-	SEE SHEET 1	-	-



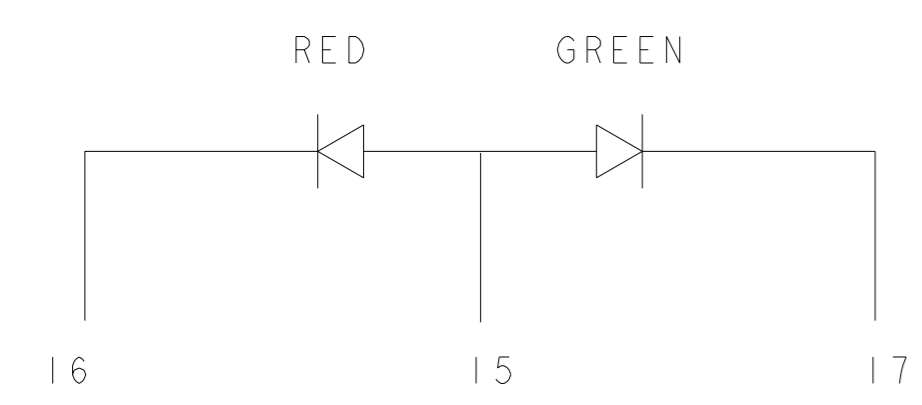
RECOMMENDED PC BOARD LAYOUT VIEWED FROM COMPONENT SIDE



VIEW SHOWN ASSEMBLED TO PCB AND RECOMMENDED PANEL

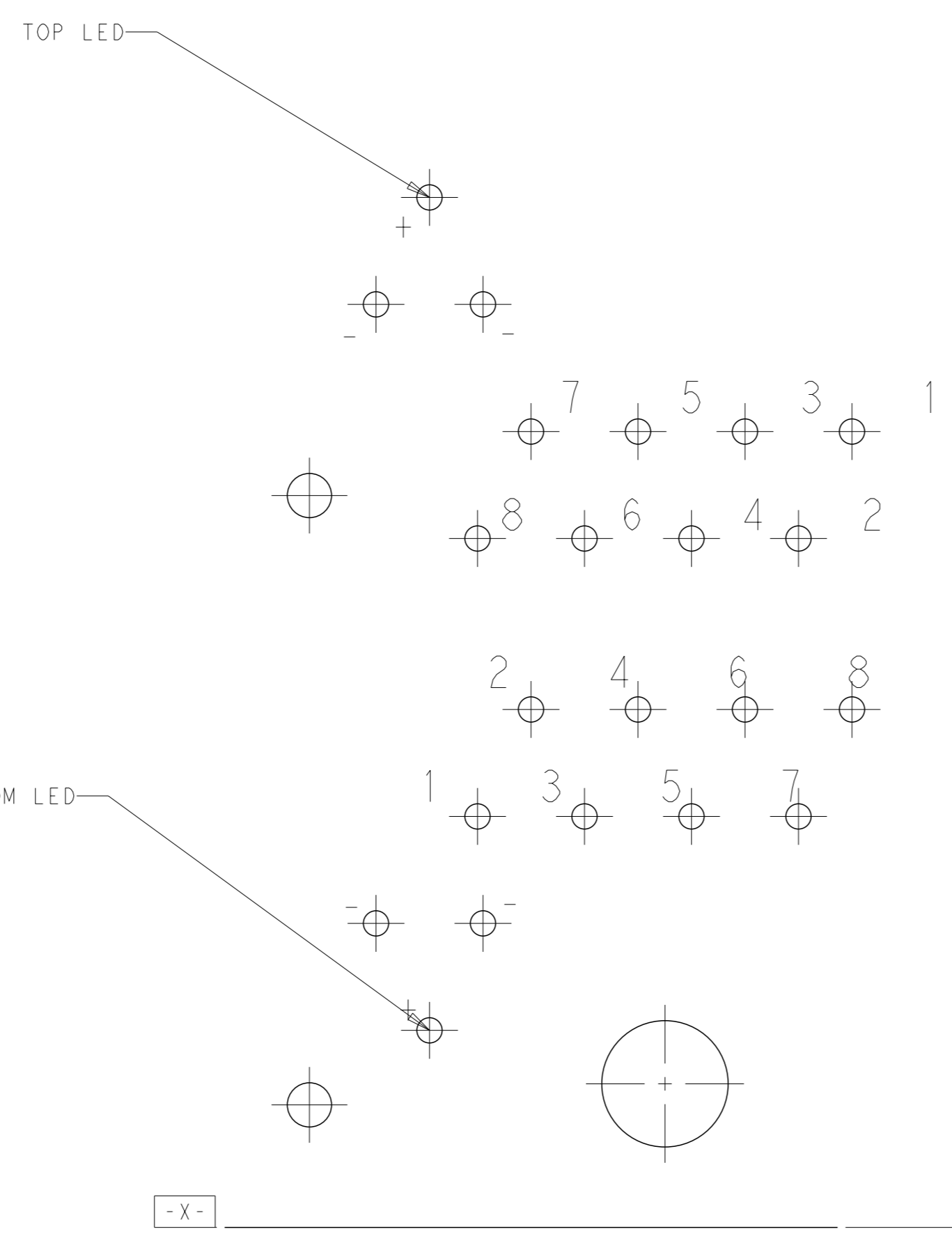


TOP LED

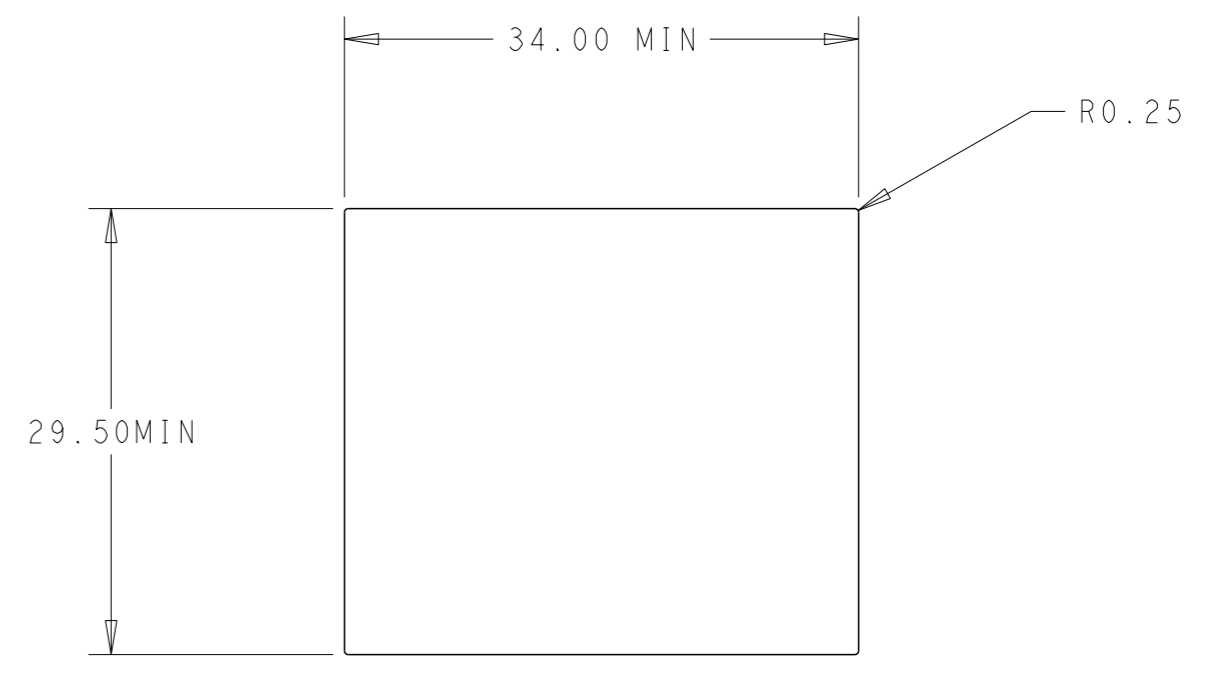


BOTTOM LED

LED SHCMAIC
LED WILL EMULATE "YELLOW" LIGHT WHEN BOTH GREEN AND RED
DIODES ARE DRIVEN AT CONSTANT CURRENT.



DETAIL A
SCALE 8:1



RECOMMENDED PANEL LAYOUT

THIS DRAWING IS A CONTROLLED DOCUMENT.		OWN: LEO LI	25APR2016	 TE Connectivity
DIMENSIONS: mm		CHK: SEAN HAN	25APR2016	
TOLERANCES UNLESS OTHERWISE SPECIFIED:		APVD: SEAN HAN	25APR2016	NAME: STACKED, MODULAR JACK
0 PLC	±	PRODUCT SPEC		RJ45 2X2 CAT5E, W/LED
1 PLC	±0.05	APPLICATION SPEC		
2 PLC	±0.05			
3 PLC	±			
4 PLC	±			
ANGLES	±			
FINISH	±			
MATERIAL		WEIGHT		
CUSTOMER DRAWING		SCALE	4:1	SHEET 2 OF 2
		REV	A	

X-ON Electronics

Largest Supplier of Electrical and Electronic Components

Click to view similar products for [Modular Connectors / Ethernet Connectors](#) category:

Click to view products by [TE Connectivity](#) manufacturer:

Other Similar products are found below :

[8949-H88/06BLKA/SN](#) [74441-0010/BKN](#) [MP1010RX-1000](#) [MP44RX-1000](#) [PHJ-4P4C-1-V-4](#) [PHP-6P6C-5](#) [GAX-3-66](#) [GAX-8-62](#) [GDCX-PA-66-50](#) [GDCX-PN-64](#) [GDCX-PN-66](#) [GDCX-PN-66-50](#) [GDLX-A-66](#) [GDLX-N-66](#) [GDLX-S-66](#) [GDLX-S-88K](#) [GDLX-SMT-S-88](#) [GDTX-S-88-50](#) [GDX-PA-1010](#) [GLX-N-1010M-BLK](#) [GLX-S-88M-BLK](#) [GMX-N-1010](#) [GMX-S-1010](#) [GMX-S-66](#) [GMX-SMT4-N-88](#) [GPX-2-64](#) [GSGX-N-2-88](#) [GSGX-N-4-88](#) [GSX-NS2-88-3.05](#) [GSX-NS2-88-3.05-50](#) [GSX-NS-88-3.05-50](#) [PT-108A-8C-UL](#) [PT-J951-8C](#) [PTS-J531-8CS-50UL](#) [1-1775629-2](#) [A-2014-0-4](#) [GWLX-S-88-GR](#) [GWLX-S9-88-YG](#) [DC-1021-8-WH-6](#) [1300530003](#) [1324640-4](#) [RJ11FTVC2G](#) [RJ11FTVC2N](#) [RJFTVX2SA1G](#) [132764-001](#) [1413235](#) [MP88X-1000](#) [MPS88RX-5000](#) [E5288-S000K3-L](#) [E5908-15A242-L](#)