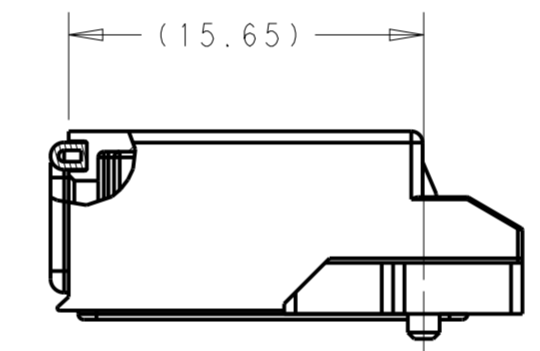
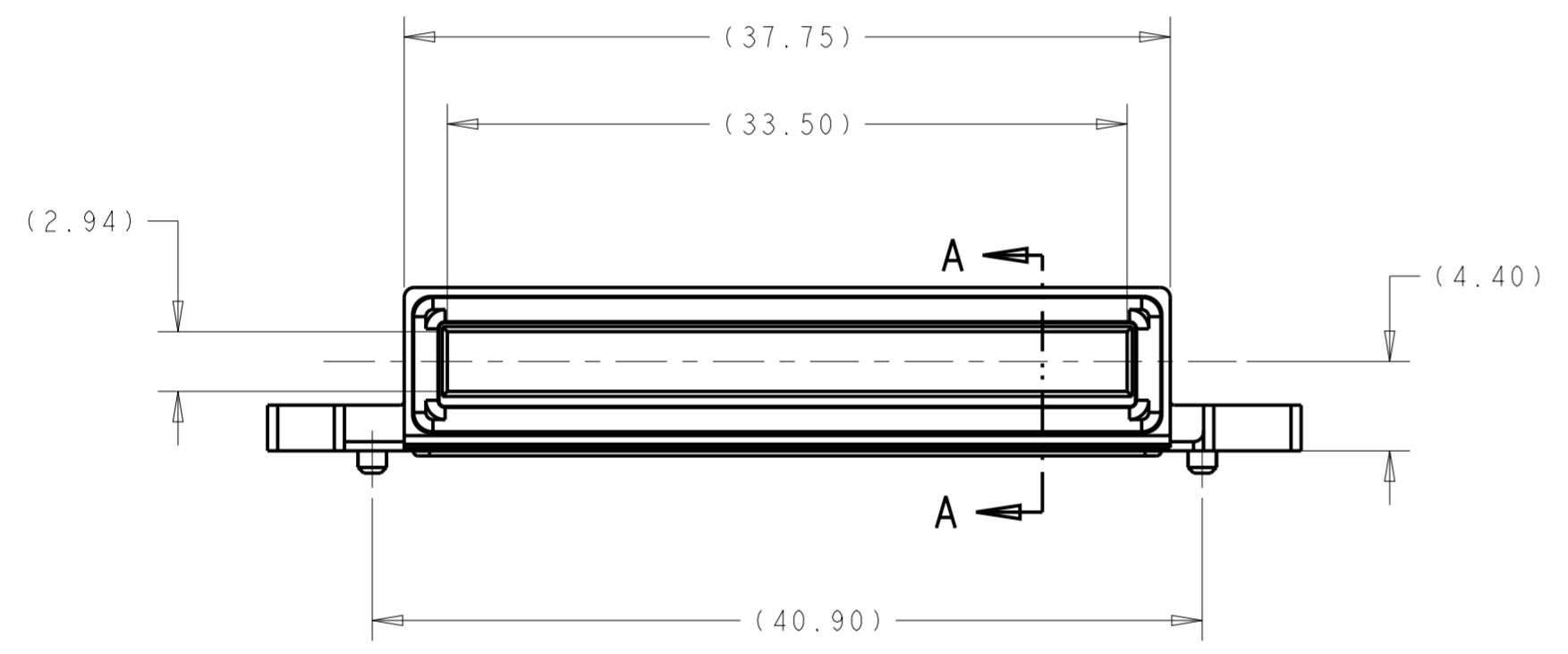
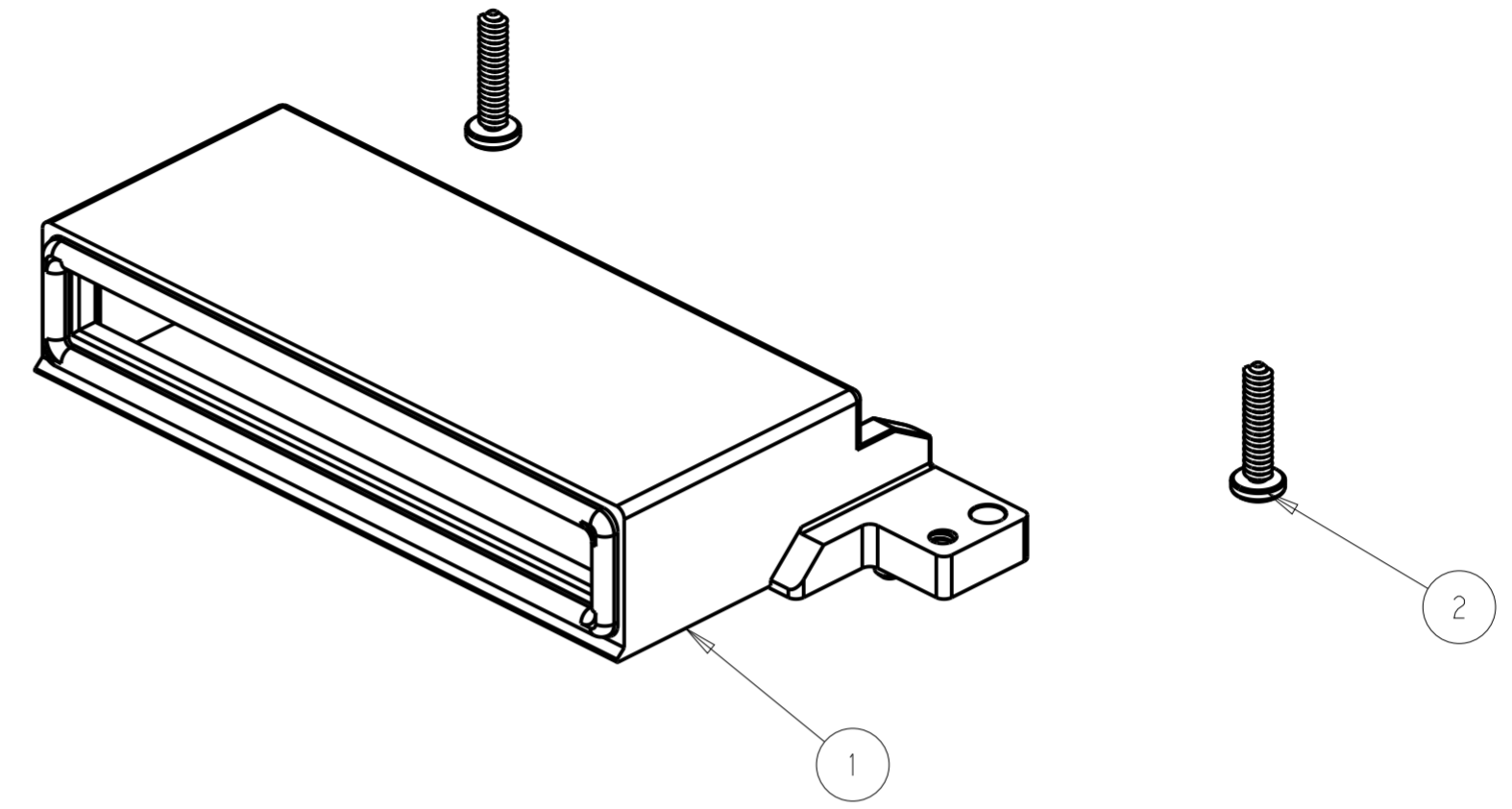
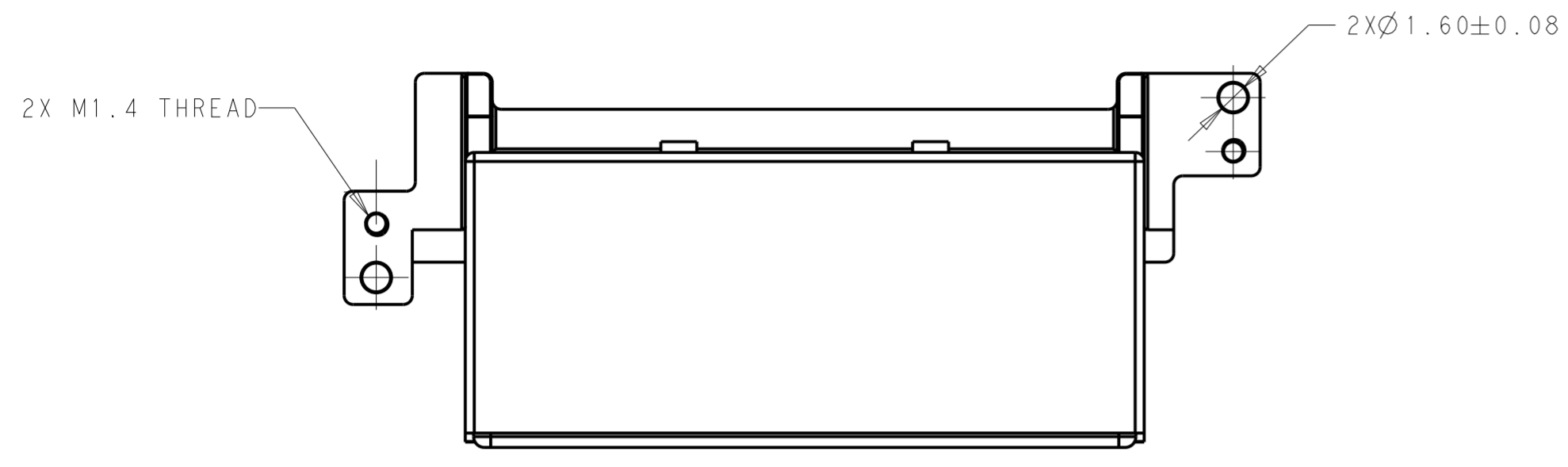


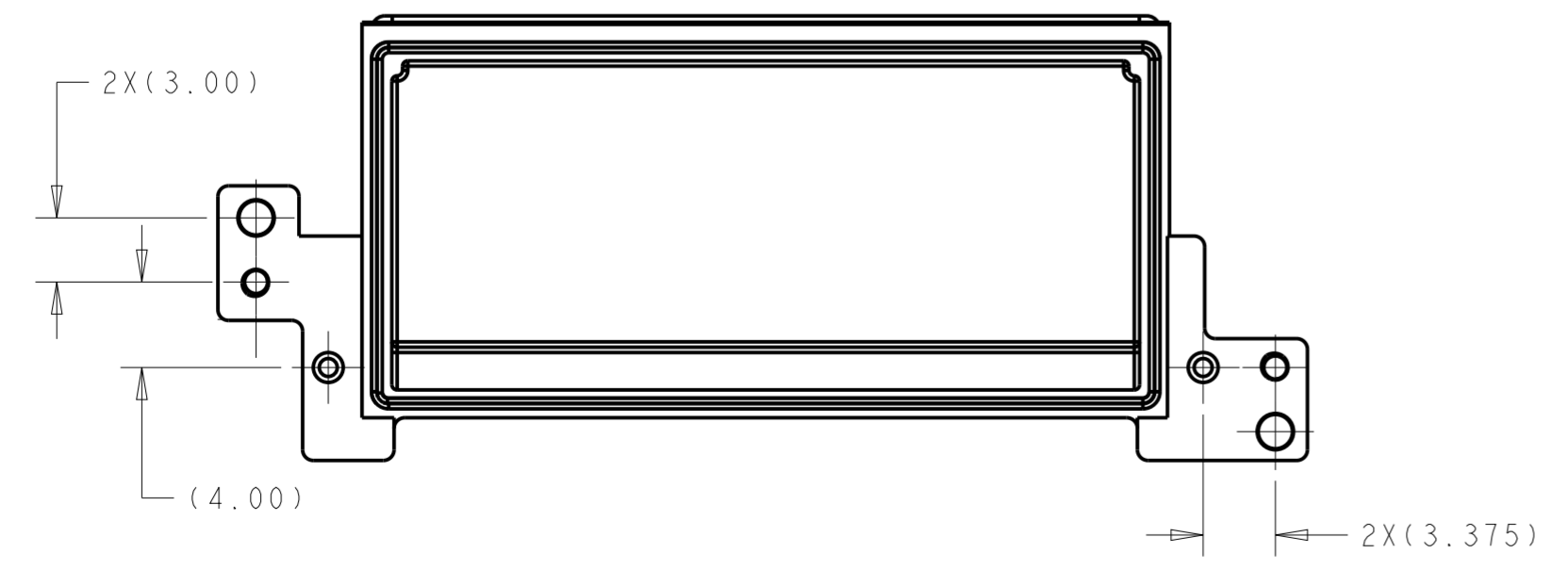
THIS DRAWING IS UNPUBLISHED. RELEASED FOR PUBLICATION 20  
 © COPYRIGHT 20 BY - ALL RIGHTS RESERVED.

REVISIONS				
P	LTR	DESCRIPTION	DATE	APVD
A		INITIAL RELEASE	06JUN2018	AD SH
B		CHANGED GASKET AND DIE-CAST STRUCTURES	16MAR2021	AJ SZ



SECTION A - A

- 1.MATERIAL: RECEPTACLE COVER-ZINC ALLOY  
GASKET-SILICON  
SCREW-STAINLESS STEEL
- 2.PLATING: RECEPTACLE COVER-1.27um NICKEL OVER COPPER PLATING
- 3.MATE WIHT MSA COMPLIANT TRANSCEIVER
- 4.PACKAGED AS SEPARATED KITS IN ONE BOX



QTY	PART NUMBER	DESCRIPTION	ITEM
2	2292789-1	M1.4X6 SCREW	2
1	2274846-1	COVER WIHT GASKET	1
-1	PART NUMBER	DESCRIPTION	ITEM

THIS DRAWING IS A CONTROLLED DOCUMENT.		DWN ANDY.CIF 30MAY2016	TE Connectivity	
DIMENSIONS: mm		CHK SEAN.HAN 30MAY2016		
TOLERANCES UNLESS OTHERWISE SPECIFIED:		APVD SEAN.HAN 30MAY2016	NAME RECEPTACLE COVER WITH SCREW CFP2 1X1	
0 PLC ±		PRODUCT SPEC	SIZE A2	
1 PLC ±0.25		APPLICATION SPEC	CAGE CODE -	
2 PLC ±0.15		WEIGHT	DRAWING NO G-2304452	
3 PLC ±0.10		CUSTOMER DRAWING	RESTRICTED TO -	
4 PLC ±		SCALE 2:1	SHEET 1 OF 1	
ANGLES ±		REV B		
FINISH				

## X-ON Electronics

Largest Supplier of Electrical and Electronic Components

*Click to view similar products for [I/O Connectors](#) category:*

*Click to view products by [TE Connectivity](#) manufacturer:*

Other Similar products are found below :

[571763P](#) [58098-0628](#) [72.250.1628.2](#) [72.250.2428.2](#) [74720-0505](#) [76.350.0729.0](#) [76871-1403](#) [FCN-244F080-G/1](#) [FCN-260A9920](#) [MP-5T180MUNNA-005](#) [PCR-E36PM](#) [PCS-XE26MA+](#) [G38A71314B](#) [DX40-50P\(55\)](#) [1571250010](#) [157-22500-3](#) [MS3471L14-19P L/C](#) [91-569786-35H](#) [172501-4002](#) [172501-6002](#) [FCN-260C008-A/L0](#) [FCN-260C024-AL0](#) [FCN-261Z008](#) [2000314-1](#) [200331-1](#) [PCR-E36FC+](#) [PCS-E28FS+](#) [PCS-XE26SLFD+](#) [PCS-XE26SLFDT+](#) [G730VID08BDC24](#) [U90B2054081210](#) [UE86K842720321](#) [38113800006](#)  
[DP3AR020WQ1R200](#) [Z4.102.0680.0](#) [500-1040](#) [500-1052](#) [500-1054](#) [ZP-4008-66L](#) [0709821002](#) [10-565995-597N](#) [DX40-20P\(55\)](#) [5554841-1](#)  
[MS3474W18-8P-LC\\*](#) [U90B3054061110](#) [U65-E04-4020](#) [ZPF000000000097891](#) [557-262M2-06C](#) [747360449](#) [10099439-003C-TRLF](#)