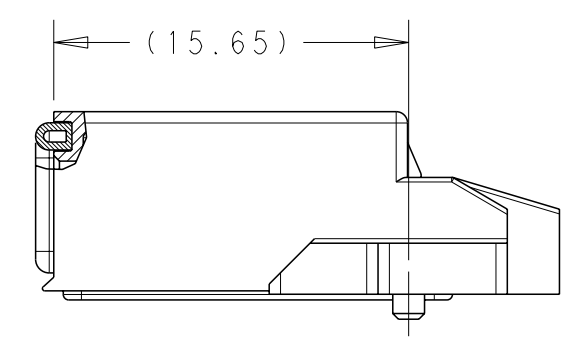
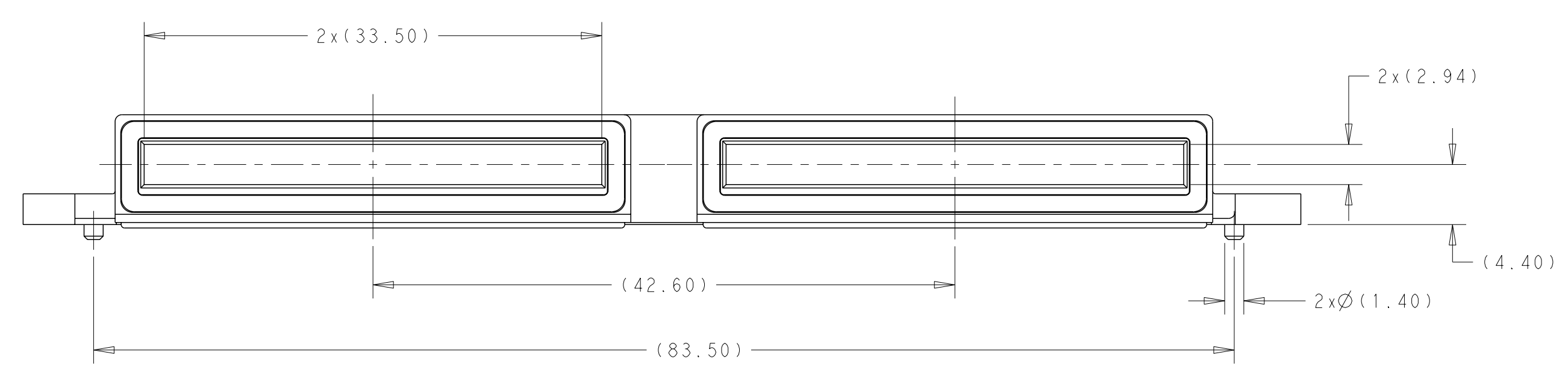
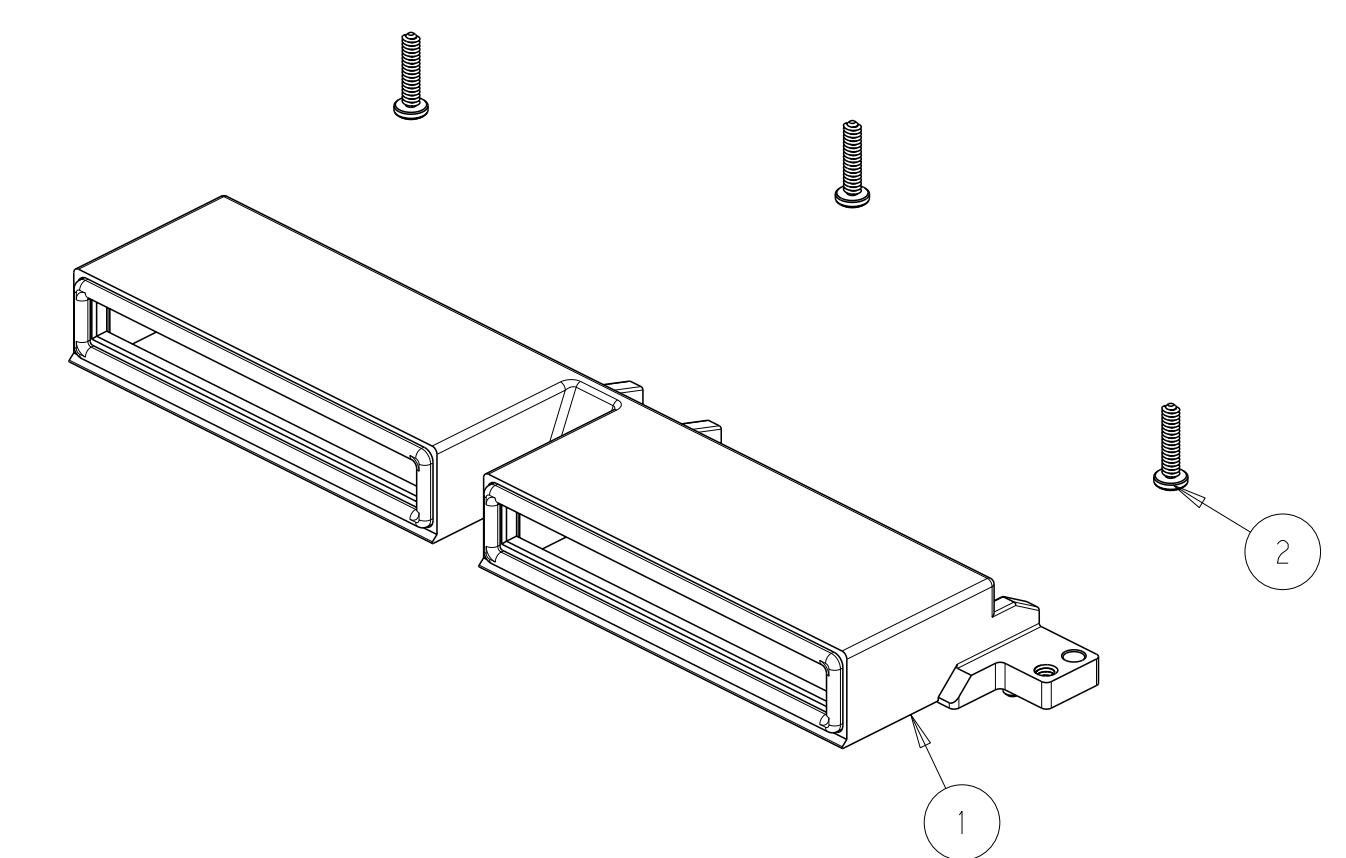
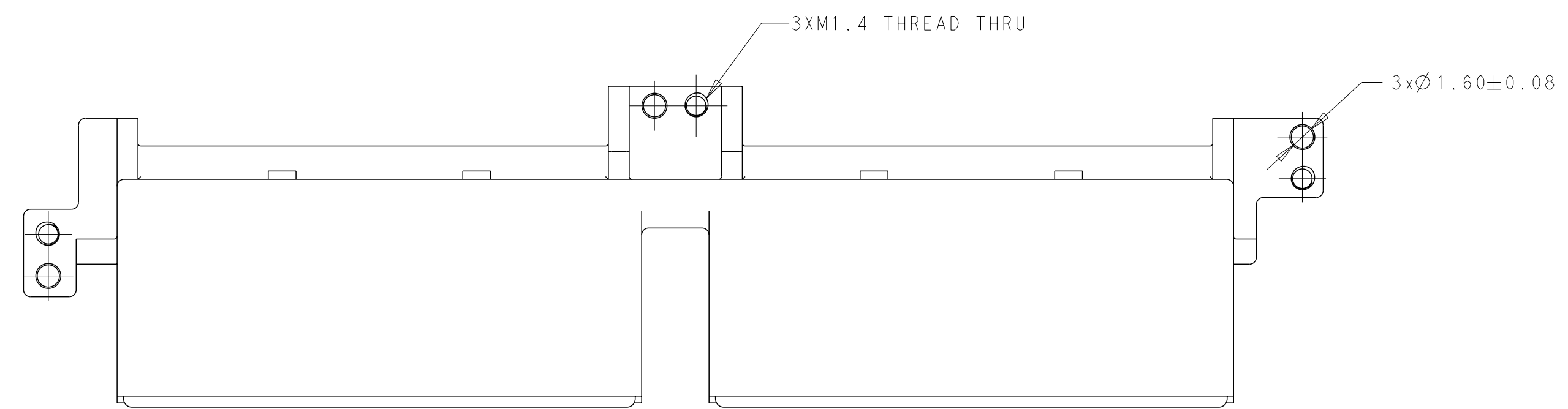
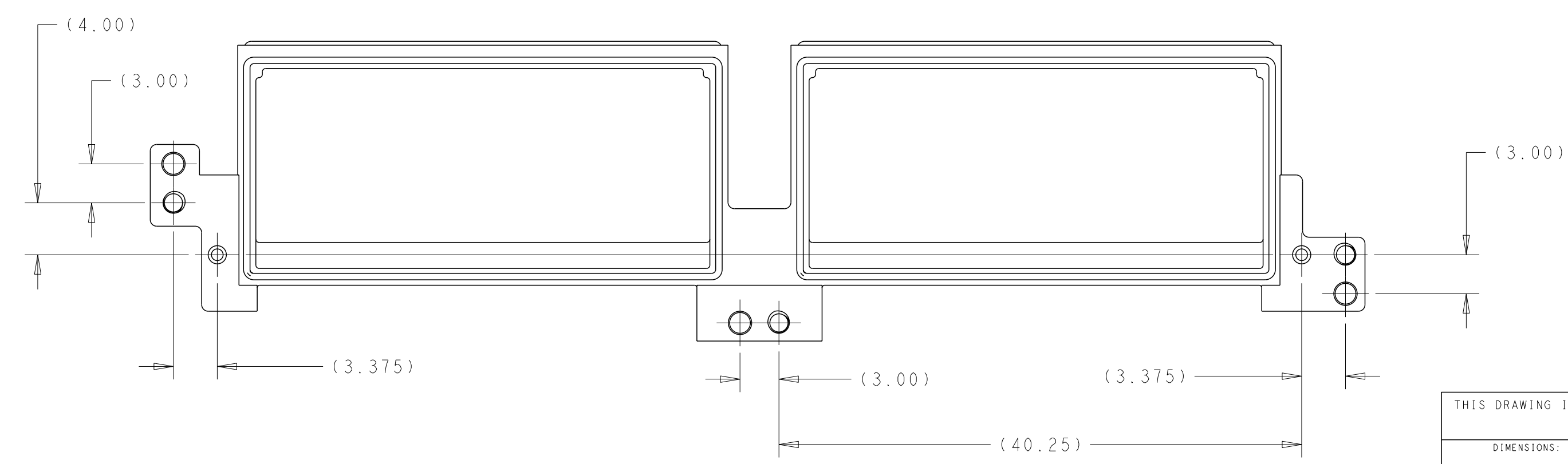


THIS DRAWING IS UNPUBLISHED. RELEASED FOR PUBLICATION 20
 © COPYRIGHT 20 BY - ALL RIGHTS RESERVED.

| REVISIONS | | | | | |
|-----------|-----|--|-----------|-----|------|
| P | LTR | DESCRIPTION | DATE | DWN | APVD |
| A | | INITIAL RELEASE | 10JUL2018 | AD | SH |
| B | | CHANGE GASKETS AND DIE-CAST STRUCTURES | 19MAY2020 | IT | SH |
| | | | | | |



- 1. MATERIAL: RECEPTACLE COVER- ZN/C ALLOY
 GASKET: SILICON
 SCREW: STAINLESS STEEL
- 2. PLATING: RECEPTACLE COVER- 1.27um NICKEL OVER COPPER PLATED
- 3. PACKAGED AS SEPARATED KITS IN ONE BOX
- 4. MATE WITH MSA COMPLIANT TRANSCEIVER



| | | | |
|----|-------------|------------------|------|
| 3 | 2292789-1 | M1.4X6 SCREW | 2 |
| 1 | 2287077-1 | RECEPTACLE COVER | 1 |
| -1 | PART NUMBER | DESCRIPTION | ITEM |

| | | | | |
|---|--|-------------------------------|---|--------------------|
| THIS DRAWING IS A CONTROLLED DOCUMENT. | | DWN ANDY.CIE 01JUN2016 | TE Connectivity | |
| DIMENSIONS: mm | | CHK SEAN.HAN 01JUN2016 | | |
| TOLERANCES UNLESS OTHERWISE SPECIFIED: 0 PLC ± 1 PLC ±0.25 2 PLC ±0.15 3 PLC ±0.10 4 PLC ± ANGLES ± FINISH | | APVD SEAN.HAN 01JUN2016 | NAME RECEPTACLE COVER WITH SCREW CFP2 1X2 | |
| MATERIAL SEE NOTE | | PRODUCT SPEC - | SIZE A2 | CAGE CODE - |
| | | APPLICATION SPEC - | DRAWING NO G-2304454 | RESTRICTED TO - |
| | | WEIGHT - | SCALE 1:1 | SHEET 1 OF 1 |
| | | CUSTOMER DRAWING | REV B | |

X-ON Electronics

Largest Supplier of Electrical and Electronic Components

Click to view similar products for [I/O Connectors](#) category:

Click to view products by [TE Connectivity](#) manufacturer:

Other Similar products are found below :

[571763P](#) [58098-0628](#) [72.250.1628.2](#) [72.250.2428.2](#) [74720-0505](#) [76.350.0729.0](#) [76871-1403](#) [FCN-244F080-G/1](#) [FCN-260A9920](#) [PCR-E36PM](#) [PCS-XE26MA+](#) [G38A71314B](#) [DX40-50P\(55\)](#) [1571250010](#) [157-22500-3](#) [MS3471L14-19P L/C](#) [91-569786-35H](#) [172501-4002](#) [172501-6002](#) [FCN-260C008-A/L0](#) [FCN-260C024-AL0](#) [FCN-261Z008](#) [2000314-1](#) [200331-1](#) [PCR-E36FC+](#) [PCS-E28FS+](#) [PCS-XE26SLFD+](#) [PCS-XE26SLFDT+](#) [G730VID08BDC24](#) [U90B2054081210](#) [UE86K842720321](#) [38113800006](#) [DP3AR020WQ1R200](#) [Z4.102.0680.0](#) [500-1040](#) [500-1052](#) [500-1054](#) [ZP-4008-66L](#) [0709821002](#) [10-565995-597N](#) [DX40-20P\(55\)](#) [5554841-1](#) [MS3474W18-8P-LC*](#) [U90B3054061110](#) [U65-E04-4020](#) [ZPF000000000097891](#) [557-262M2-06C](#) [747360449](#) [10099439-003C-TRLF](#) [10137239-0021LF](#)