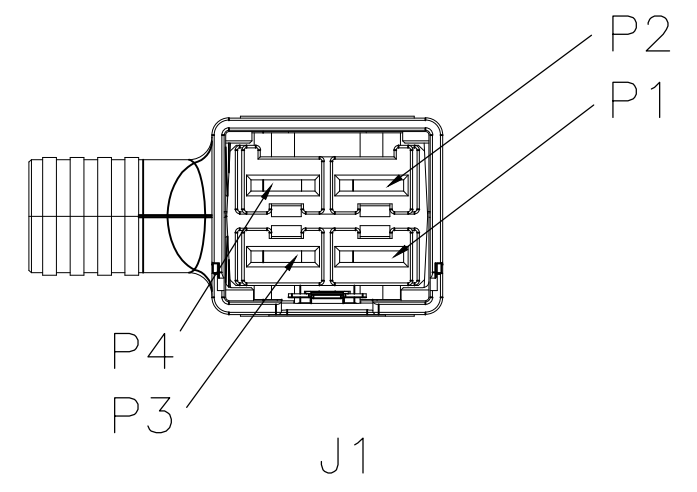
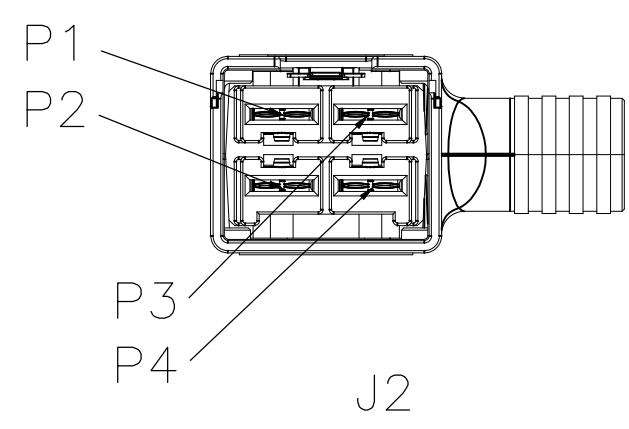
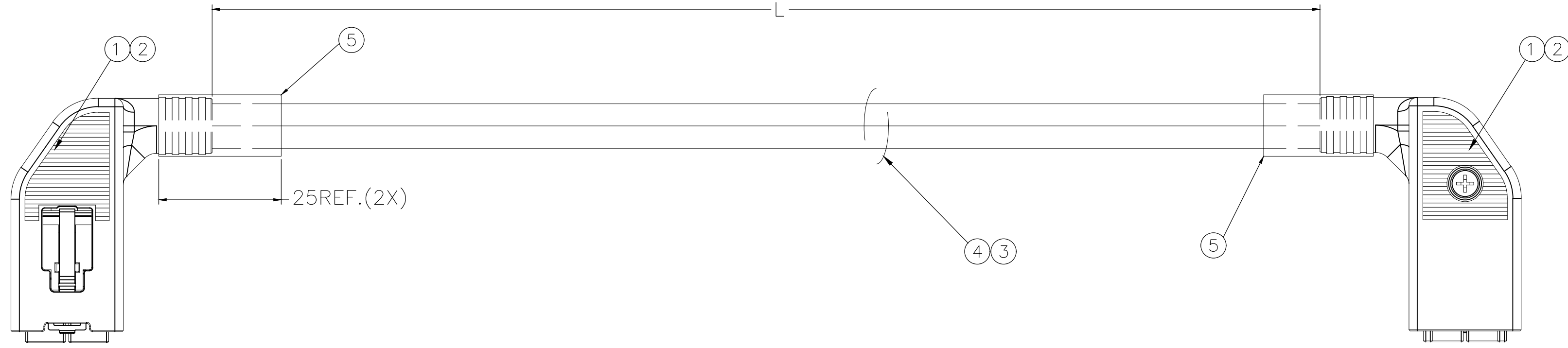


THIS DRAWING IS UNPUBLISHED. RELEASED FOR PUBLICATION  
 © COPYRIGHT - 12JUN2016 ALL RIGHTS RESERVED.

| REVISIONS |     |                           |           |     |      |
|-----------|-----|---------------------------|-----------|-----|------|
| P         | LTR | DESCRIPTION               | DATE      | DWN | APVD |
| A         |     | REVISED PER ECO-19-006961 | 06MAY2019 | AP  | AC   |



WIRING CHART

| FROM  | WIRE COLOR | TO    |
|-------|------------|-------|
| J1-P4 | RED        | J2-P3 |
| J1-P3 | RED        | J2-P4 |
| J1-P2 | BLACK      | J2-P1 |
| J1-P1 | BLACK      | J2-P2 |

|           |             |           |
|-----------|-------------|-----------|
| 2304890-2 | RA,SHIELD   | 3657.6±50 |
| 2304890-1 | RA,SHIELD   | 250±10    |
| TE P/N    | DESCRIPTION | L         |

|    |     |                           |      |
|----|-----|---------------------------|------|
| AR | MR  | HEAT SHRINK TUBE          | 5    |
| AR | MR  | WIRE, AWG14, RED          | 4    |
| AR | MR  | WIRE, AWG14, BLACK        | 3    |
| 8  | PC  | ET CONTACT, AWG14         | 2    |
| 2  | PC  | ET HSG, 4 POS, RA, SHIELD | 1    |
| -1 | U/M | DESCRIPTION               | ITEM |

NOTES:

- 100% ELECTRICAL TEST FOR CONTINUITY, OPENS AND SHORTS.

PRODUCT AND PROCESSING MUST MEET REQUIREMENTS OF TE CONNECTIVITY ENVIRONMENTAL STANDARD TEC-138-702

|   |  |  |                           |                    |
|---|--|--|---------------------------|--------------------|
| THIS DRAWING IS A CONTROLLED DOCUMENT.  |  | DWN<br>ADAM CHEN<br>12JUN2016                | <b>TE</b> TE Connectivity |                    |
| DIMENSIONS:<br>mm   |  | CHK<br>-<br>APVD<br>DAVID ZHANG<br>12JUN2016 |                           |                    |
| TOLERANCES UNLESS OTHERWISE SPECIFIED:<br>0 PLC ± -<br>1 PLC ± -<br>2 PLC ± -<br>3 PLC ± -<br>4 PLC ± -<br>ANGLES ± - |  | NAME<br>Cable AssY, ET 4POS, RA,SHIELD       | RESTRICTED TO<br>-        |                    |
| MATERIAL<br>-   |  | FINISH<br>-                                  | SIZE<br>A2                | CAGE CODE<br>00779 |
|   |  | WEIGHT<br>0                                  | DRAWING NO<br>C=2304890   | SCALE<br>N.T.S.    |
|   |  | CUSTOMER DRAWING                             |                           | SHEET<br>1 OF 1    |
|   |  |  |                           | REV<br>A           |

## X-ON Electronics

Largest Supplier of Electrical and Electronic Components

*Click to view similar products for [Heavy Duty Power Connectors](#) category:*

*Click to view products by [TE Connectivity](#) manufacturer:*

Other Similar products are found below :

[647757-1](#) [6643411-1](#) [6646058-2](#) [6646137-1](#) [6646138-1](#) [6646479-1](#) [6646608-1](#) [6646786-1](#) [6646940-1](#) [6651091-1](#) [6651525-1](#) [6651529-1](#)  
[6651788-1](#) [696475-1](#) [702-32-01109](#) [703-25-02205](#) [73000005059](#) [73000005642](#) [73080255059](#) [73080965046](#) [765-15-0080A](#) [765-16-0080B](#)  
[765-18-0080D](#) [829992-1](#) [902-77-02113](#) [PS00/A0620/6300](#) [PS25/A0420/63](#) [129-1J](#) [1409400](#) [AN0024023](#) [E6374G1](#) [e6389g2](#) [157-43GW8](#)  
[MS3117-14AC](#) [1643543-1](#) [1650540-1](#) [1651811-2](#) [1766260-1](#) [1766282-1](#) [1766966-1](#) [1791340000](#) [NLDFT-3-BL-L-S120-M40A](#) [NLDFT-N-](#)  
[W-L-C240-M40B](#) [NLS-2-R-C240-M40B](#) [NLS-N-W-C240-M40B](#) [NPS-3-BL-T6](#) [1986615-1](#) [2-1589900-8](#) [2199314-1](#) [KA8102](#)