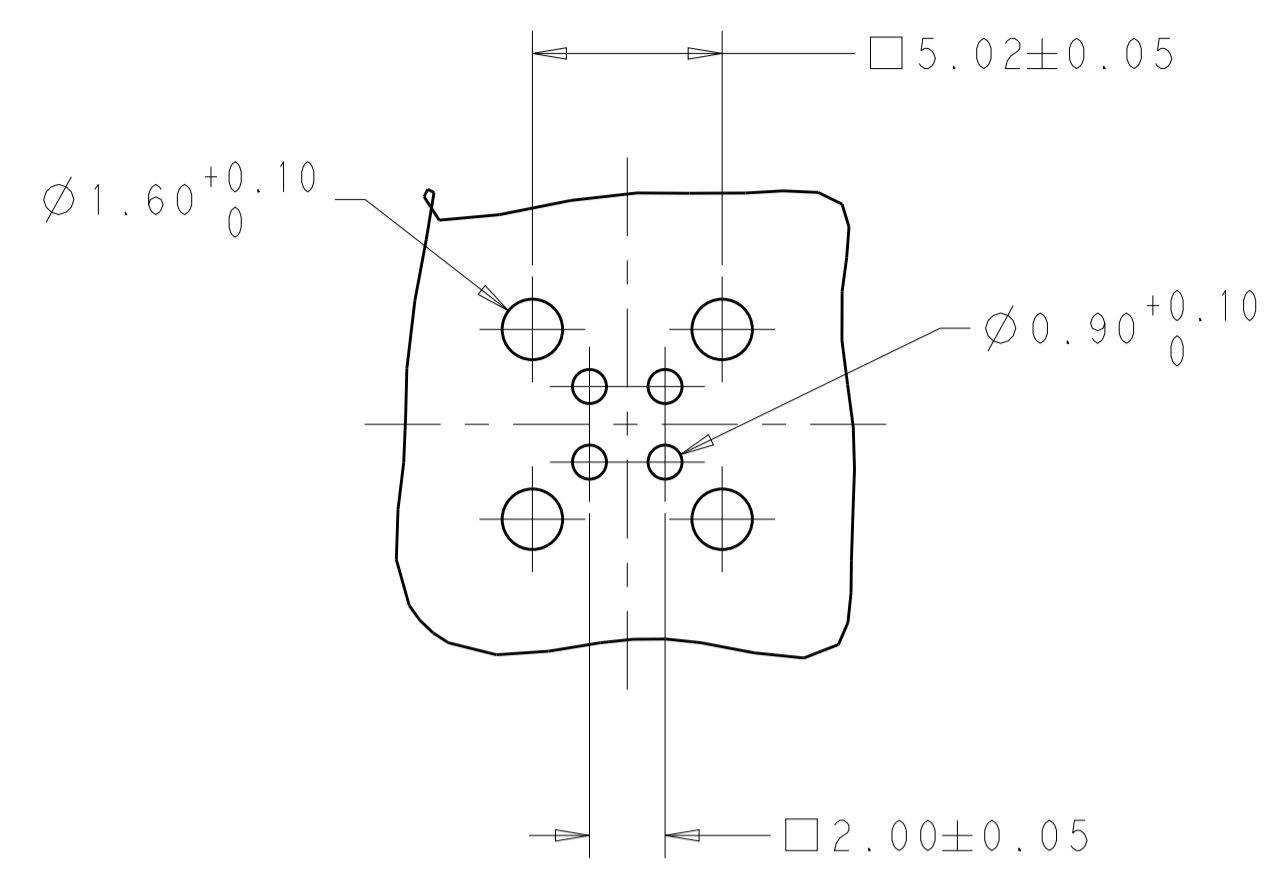


REVISIONS				
P.	LTN	DESCRIPTION	DATE	DMN APVD
A		INITIAL RELEASE	08JUN16	F.P. P.W.
A1		ECR-18-004841	04MAY18	F.P. W.W.
A2		ECR-19-019964	24DEC19	B.Z. W.W.

CODINGS

CODE A	CODE B	CODE C	CODE D	CODE E	CODE F	CODE Z
CODE G	CODE H	CODE J	CODE K	CODE L	CODE M	CODE O

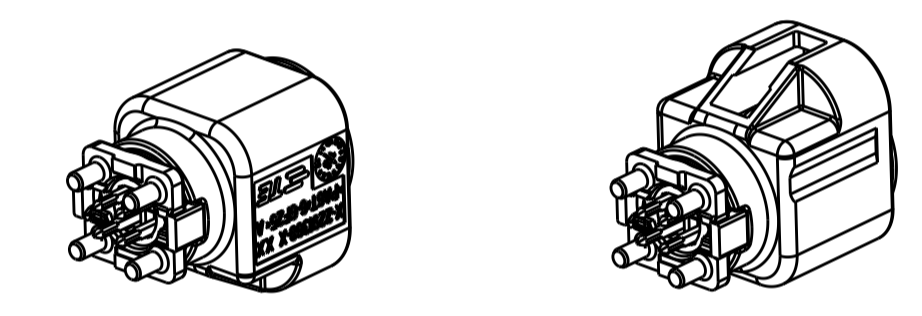
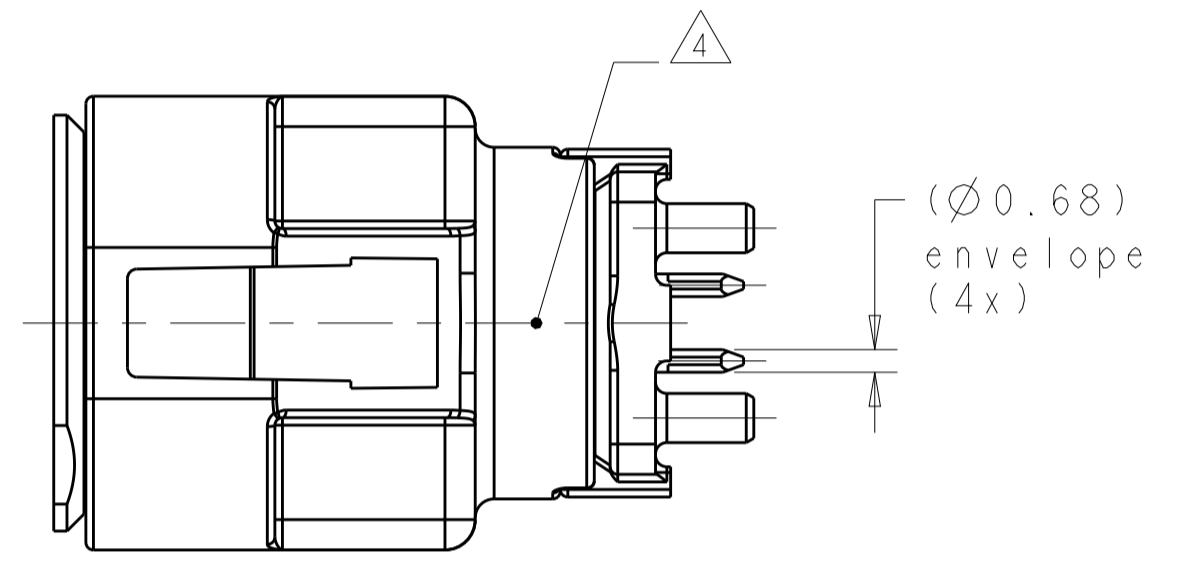


NOTES

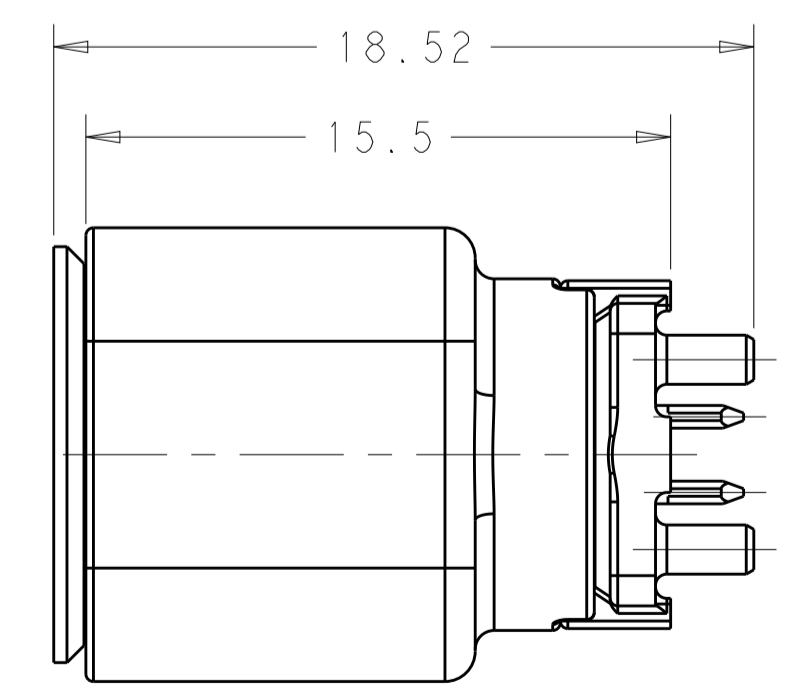
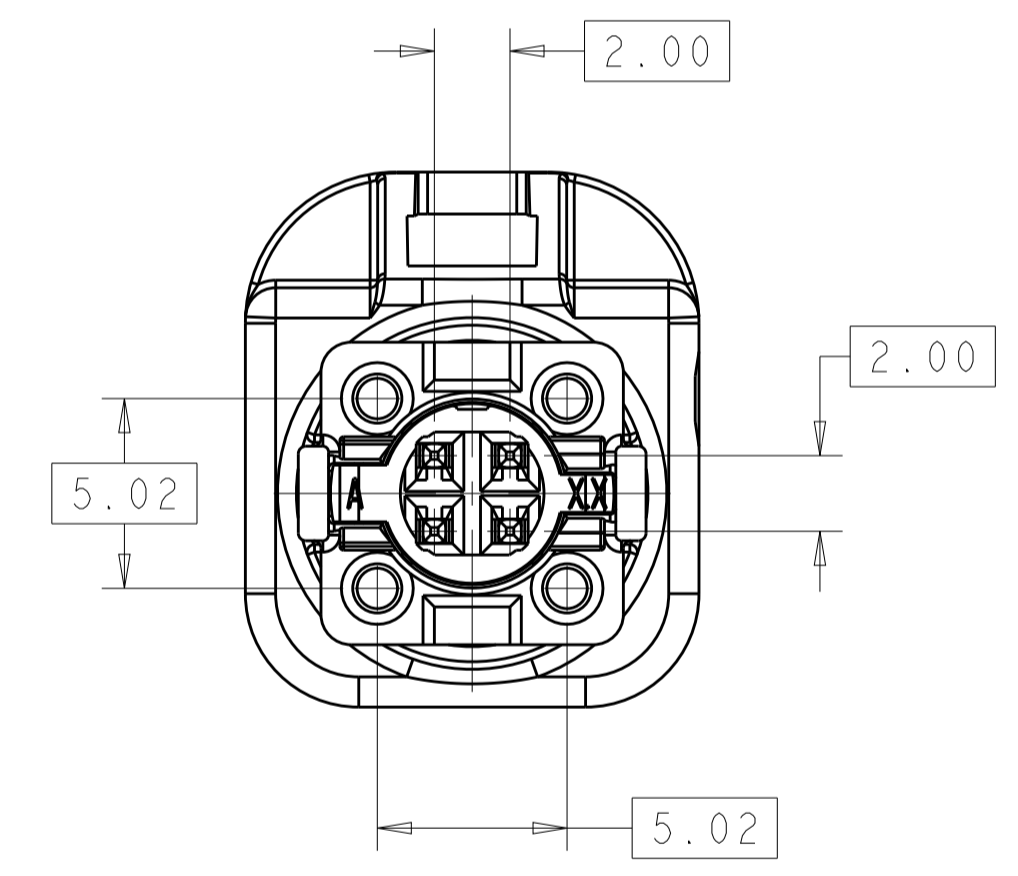
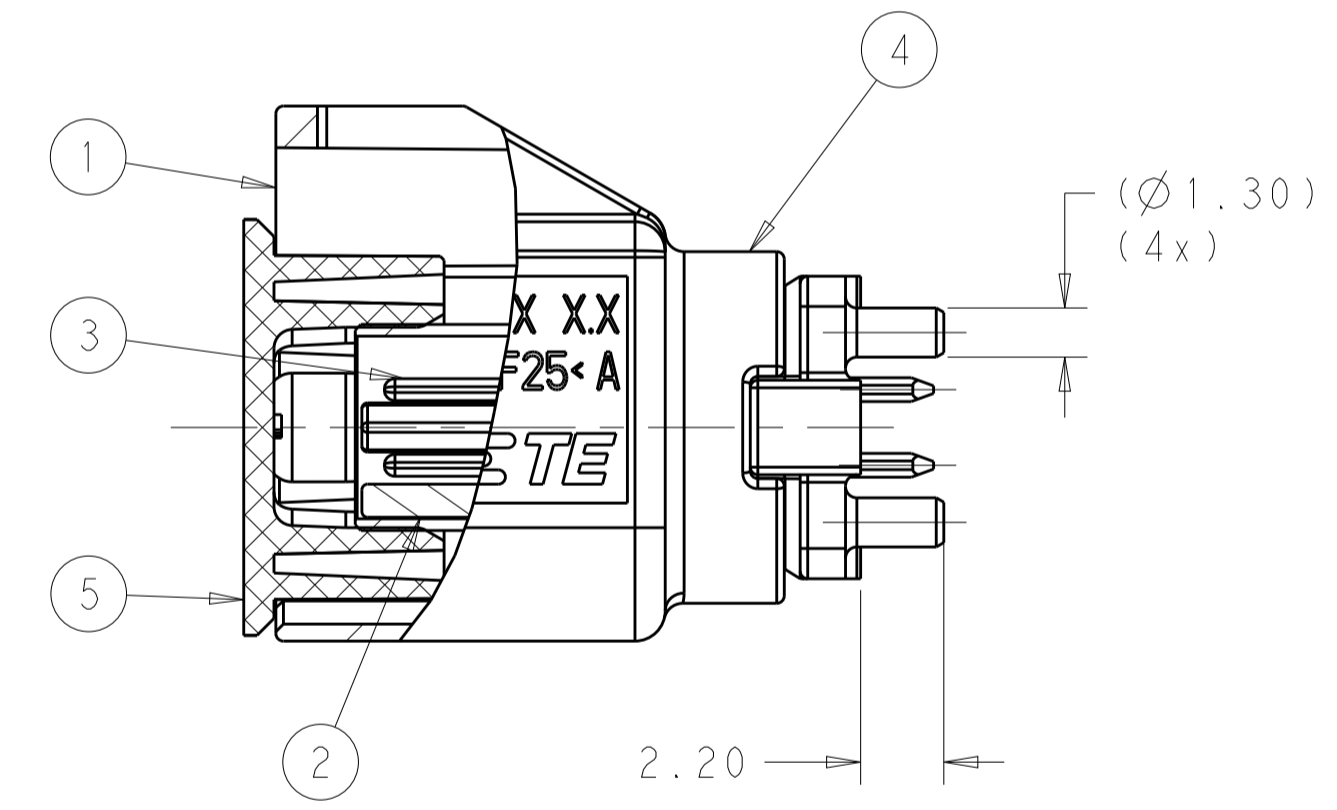
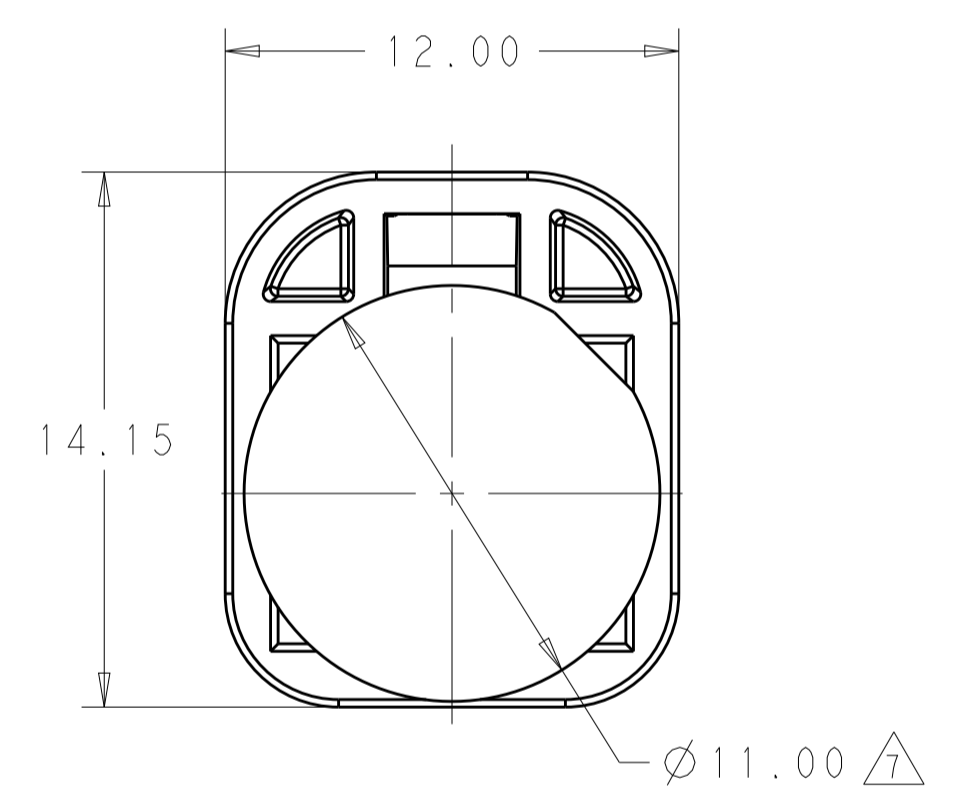
- 1 DETAILS OF DESIGN ARE LEFT TO TE CONNECTIVITY
- 2 HSD INTERFACE ACC. TO TE SPEC. 114-18950
- 3 PACKAGING: TAPE AND REEL
- 4 MARKING OF 100% TEST PASSED
- 5 FITS WITH HSD CONNECTOR 90 DEG. TE PN X-2208145-X AND HSD CONTACT 90 DEG. TE PN 2236774-1...-3 OR HSD CONNECTOR 180 DEG TE PN X-1823898-X AND HSD CONTACT 180 DEG. TE PN 2236772-1
- 6 ALL DIMENSIONS IN BRACKETS () FOR INFORMATION ONLY

△.AREA OF VACUUM PICKUP

WEIGHT [g]: 3
 AS SHOWN CODING Z



SCALE 2:1



QTY	CODE	DESCRIPTION	MATERIAL	FINISH COLOR, SIMILAR RAL	ITEM NO.
1		PICK-UP CAP	NYLON	BLACK	5
1		SHIELDING BODY	Zn ALLOY	INTERFACE SIDE: TIN PLATING 3µm MIN. SOLDER SIDE: TIN PLATING 3µm MIN.	4
4		CONTACT PIN	CuSn4	SOLDER SIDE: TIN PLATING 3µm MIN. INTERFACE SIDE: GOLD PLATING 0.8µm MIN.	3
1		CAVITY BLOCK	LCP	BLACK	2
				PA6T/6-GF25	1
				LIGHT GREEN / 6027	
				PASTEL ORANGE / 2003	
				YELLOW GREEN / 6048	
				CURRY / 1027	
				BEIGE / 1001	
				HEATHER VIOLET / 4003	
				BLUISH GREY / 7031	
				WATER BULE / 5021	
				NUT BROWN / 8011	
				LEAF GREEN / 6002	
				CLARET VIOLET / 4004	
				SIGNAL BLUE / 5005	
				CREAM WHITE / 9001	
				JET BLACK / 9005	

QUANTITY		CODE	DESCRIPTION	MATERIAL	FINISH COLOR, SIMILAR RAL	ITEM NO.										
0-1	0-2	0-3	0-4	0-5	0-6	0-9	1-1	1-2	1-3	1-4	1-5	1-6	1-9	ASSY NO. X-2304935-Y		
A	B	C	D	E	F	Z	G	H	J	K	L	M	O	ASSY CODE		
A	A	A	A	A	A	A	A	A	A	A	A	A	A	REVISION		

THIS DRAWING IS A CONTROLLED DOCUMENT.

DIMENSIONS:	TOLERANCES UNLESS OTHERWISE SPECIFIED:	DMN: F.PAN 08JUN2016	CHK: P.WU 08JUN2016	APVD: J.YIN 08JUN2016	NAME: HSD HEADER 180DEG 4POS. ASSY WITH PICKUP CAP
mm	0 PLC ±0.5 2 PLC ±0.5 3 PLC ±0.5 4 PLC ±0.5 ANGLES ±0.5	PRODUCT SPEC: 108-101388	APPLICATION SPEC: 114-32195	WEIGHT: -	RESTRICTED TO: -
MATERIAL: -	FINISH: -	SIZE: A1	CAGE CODE: -	DRAWING NO: C=2304935	SCALE: 5:1
Customer Drawing				SHEET 1 OF 1	REV A2

STE TE Connectivity

X-ON Electronics

Largest Supplier of Electrical and Electronic Components

Click to view similar products for [Headers & Wire Housings](#) category:

Click to view products by [TE Connectivity](#) manufacturer:

Other Similar products are found below :

[892-18-020-10-001101](#) [58102-G61-06LF](#) [582553-1](#) [0009485154](#) [009176003701906](#) [0050291907](#) [LY20-4P-DT1-P1E-BR](#) [02.125.8002.8](#)
[609-3404](#) [61062-3](#) [61082-181009](#) [622-3653LF](#) [63453-116](#) [636-1030](#) [636-1427](#) [636-3427](#) [636-4007](#) [641938-9](#) [641991-4](#) [644827-2](#) [65817-](#)
[010LF](#) [65817-015LF](#) [65863-015LF](#) [66207-023LF](#) [67095-007LF](#) [67601157](#) [68645-018](#) [68648-049](#) [70.362.1628.0](#) [70-4210](#) [70-4226B](#) [70-](#)
[4853B](#) [707-5020](#) [707-5028](#) [71.350.2428.0](#) [71918-208LF](#) [71961-016LF](#) [733-134](#) [733-162](#) [754199-000](#) [760-3052](#) [787-8014-00](#) [79531-3000](#)
[FCN-360C032-B](#) [FCN-367T-T012/H](#) [FCN-723D010/2](#) [80.063.4001.1](#) [800-90-001-10-001000](#) [800-90-010-10-002000](#) [801-43-002-10-013000](#)