

VS-3 Handle Kit 91333-1

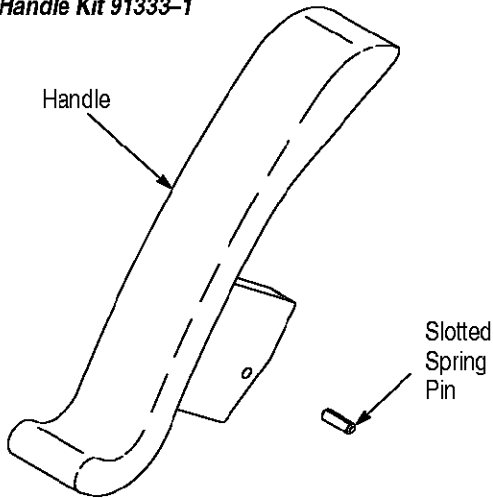


Figure 1

2. DESCRIPTION (Figure 1)

Handle Kit 91333-1 consists of a Slotted Spring Pin and a Handle. The Pin is used to hold the Handle in place on the Quick Take-Up Lever on the VS-3 Hand Tool Assembly.

3. ASSEMBLY PROCEDURE

Before beginning, remove the Spring Pin and the Lever Pad from the Quick Take-Up Lever on the existing VS-3 Hand Tool Assembly.

1. Position the Handle over the Quick Take-Up Lever as shown in Figure 2.
2. Press the Spring Pin (included in the Handle Kit) through the hole in both the Handle and the Quick Take-Up Lever.

The assembly of VS-3 Handle Kit 91333-1 is now complete.

1. INTRODUCTION

This instruction sheet covers the assembly of the AMP* VS-3 Handle Kit 91333-1 onto the standard VS-3 Hand Tool Assembly.

4. REVISION SUMMARY

Per EC 0990-1239-99

- Initial release of instruction sheet

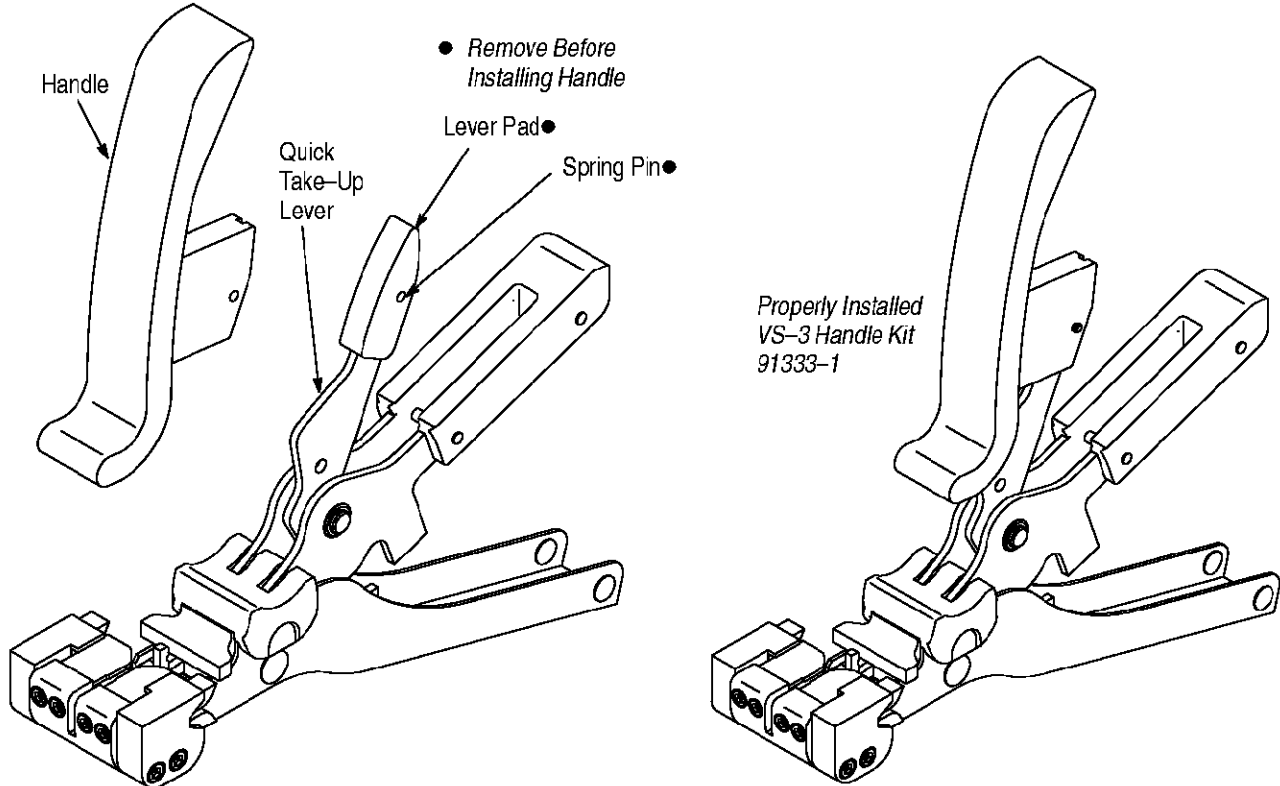


Figure 2

X-ON Electronics

Largest Supplier of Electrical and Electronic Components

Click to view similar products for [Crimpers / Crimping Tools](#) category:

Click to view products by [TE Connectivity](#) manufacturer:

Other Similar products are found below :

[010-0096](#) [M225201-06](#) [M225202-37](#) [6-1579015-5](#) [CT150-6-RH07](#) [622-6441LF](#) [M322](#) [6-304052-1](#) [63456-0054](#) [63484-3701](#) [63800-8355](#)
[63819-1875](#) [63819-2875](#) [63819-4475](#) [63823-3475](#) [63827-5375](#) [64001-0975](#) [64001-4175](#) [64005-0175](#) [662903-2](#) [690602-6](#) [7-1579001-9](#) [7-](#)
[23471-1](#) [762637-1](#) [808714-1](#) [811242-5](#) [999-50-020083](#) [1-21002-3](#) [1-21002-7](#) [12085270](#) [1-21002-6](#) [1-21113-6](#) [1-22548-4](#) [125442-1](#)
[DCE.91.073.BVC](#) [DCE.91.090.3MVM](#) [DCE.91.130.5MVU](#) [DCE.91.202.BVCM](#) [1338300-1](#) [1-354003-0](#) [1338301-1](#) [DF62/RE-MD](#) [142321](#)
[1456088-1](#) [1490794-1](#) [1-45804-6](#) [1490357-2](#) [1490357-3](#) [AX100749](#) [1-59619-7](#)