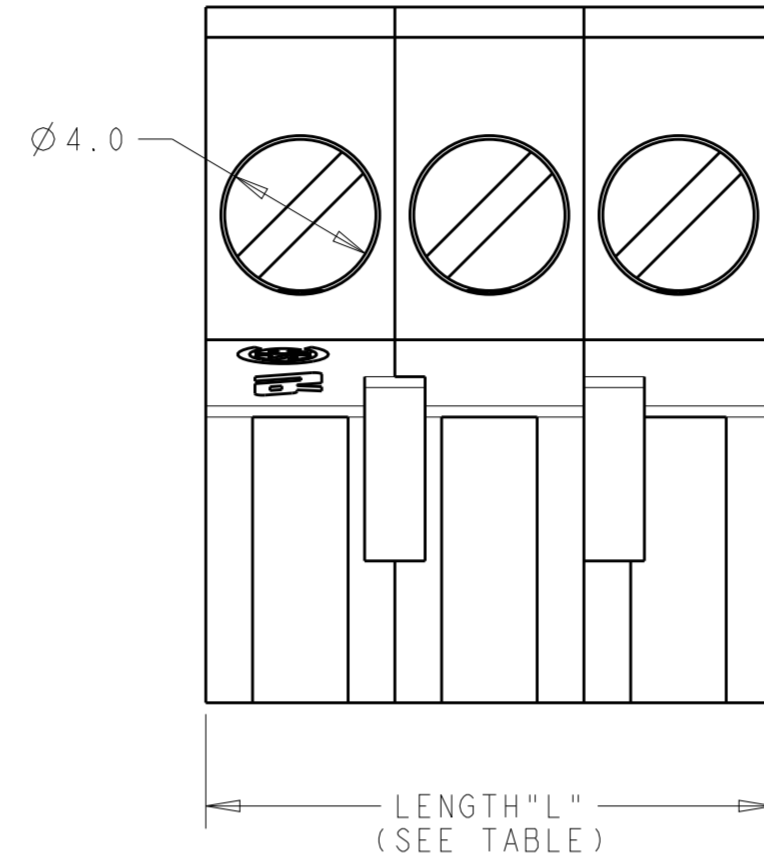
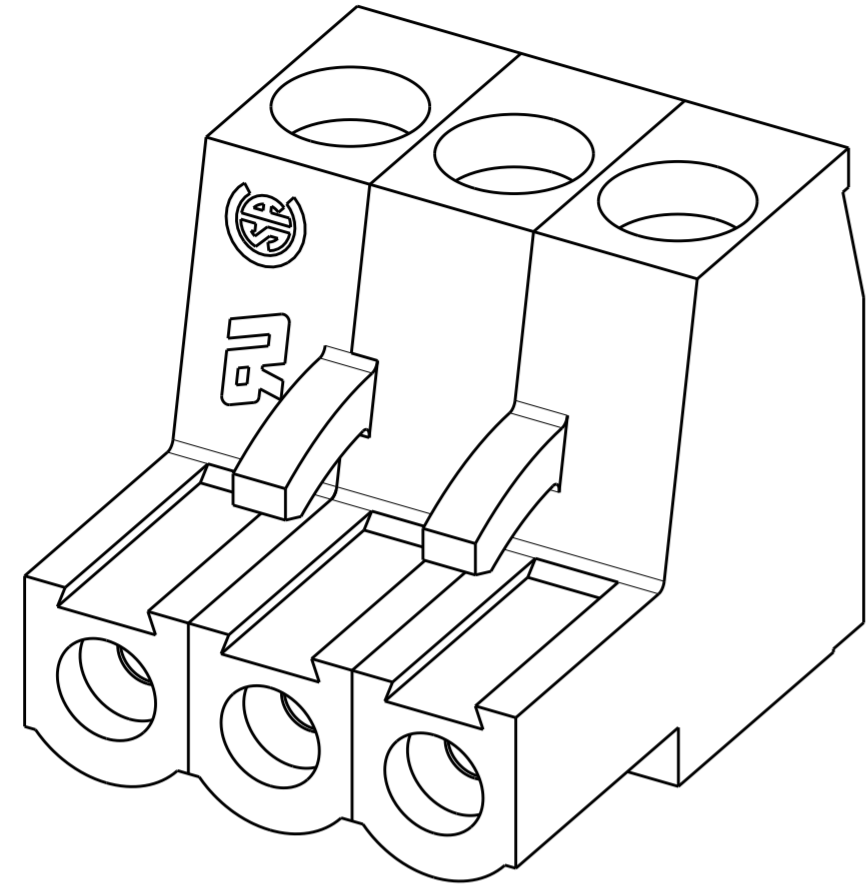
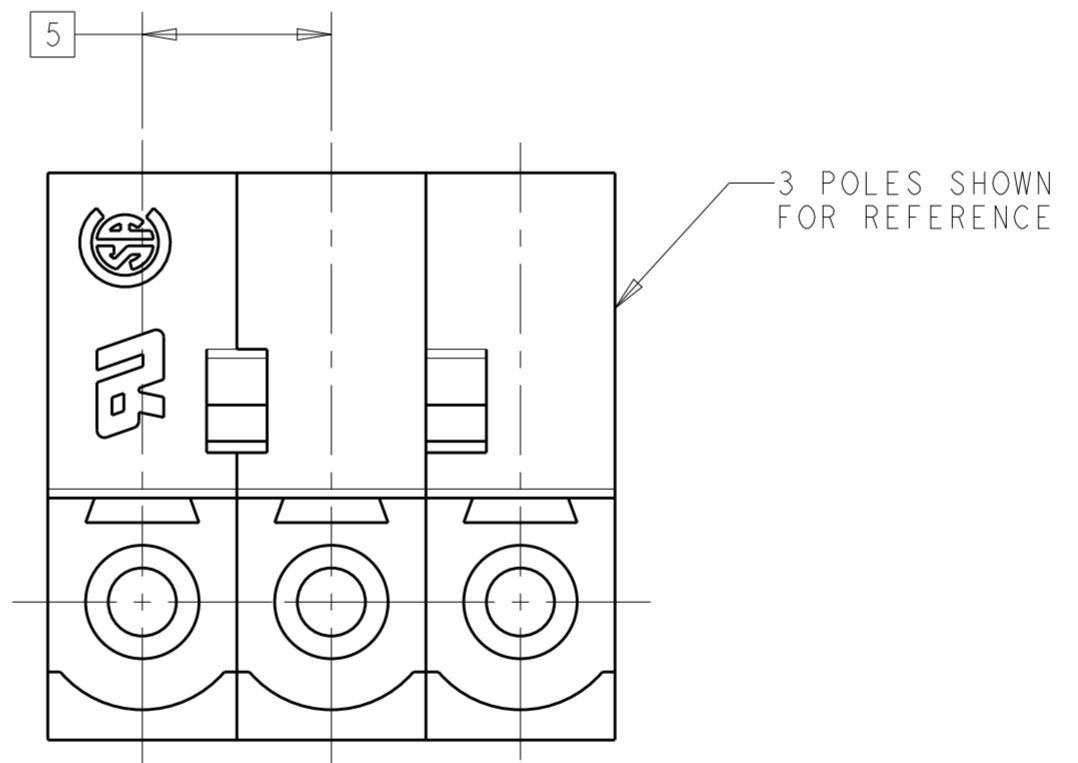
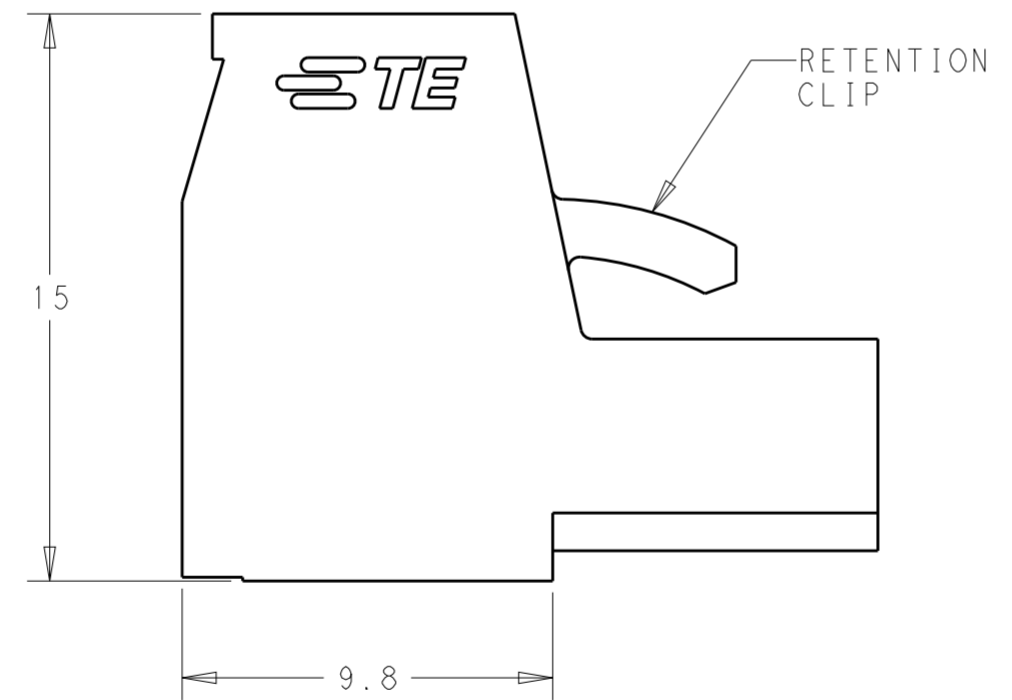
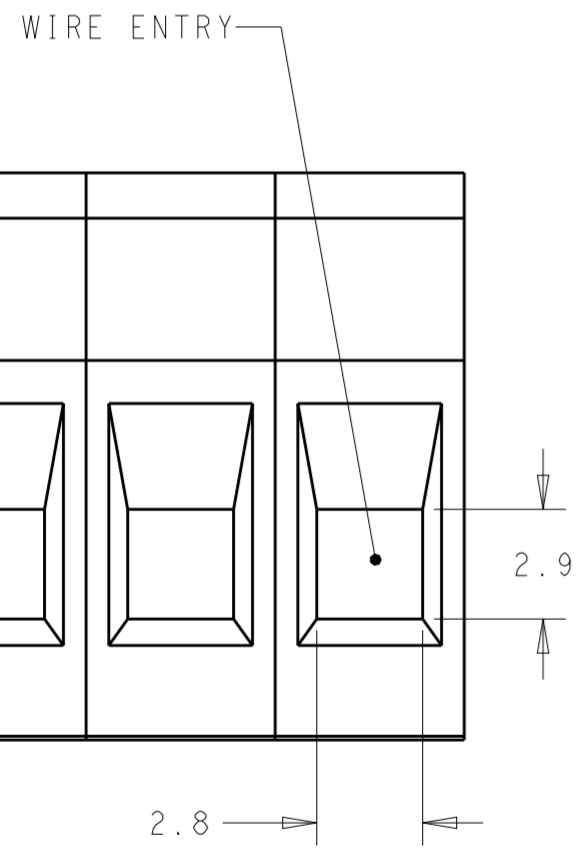


THIS DRAWING IS UNPUBLISHED. RELEASED FOR PUBLICATION
 © COPYRIGHT copyright.d8te- ALL RIGHTS RESERVED.

REVISIONS				
P	LTR	DESCRIPTION	DATE	APVD
A		NEW DRAWING	12SEP2016	RS ML
A1		REVISED PER ECR-16-016988	03JAN2017	RK PO



1. HOUSING MATERIAL: THERMOPLASTIC, FLAME-RETARDANT PER UL 94 V-0
COLOR = BLACK
2. CONTACT MATERIAL: COPPER ALLOY, NICKEL PLATE
3. WIRE SIZE: 26-12 AWG
4. WIRE STRIP LENGTH = 7.0MM
5. SCREW TIGHTENING TORQUE: 0.5 N·m
6. PRODUCT CERTIFICATIONS:
UL, CSA: 300V (SEE TABLE FOR RATED CURRENT)
7. HAZARDOUS SUBSTANCE COMPLIANCE: RoHS, REACH
8. MATES WITH 2305908



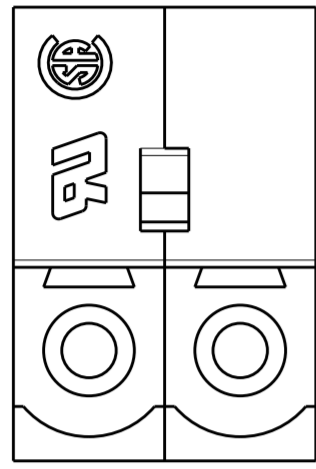
10A UL GROUP D CSA GROUP D,E	60.0	12	1-2305909-2
	55.0	11	1-2305909-1
	50.0	10	1-2305909-0
15A UL GROUP B CSA GROUP B	45.0	9	2305909-9
	40.0	8	2305909-8
	35.0	7	2305909-7
	30.0	6	2305909-6
	25.0	5	2305909-5
	20.0	4	2305909-4
	15.0	3	2305909-3
10.0	2	2305909-2	
RATED CURRENT Δ 6	LENGTH "L" (mm)	NO. OF POLES	TE PART NO.

THIS DRAWING IS A CONTROLLED DOCUMENT.

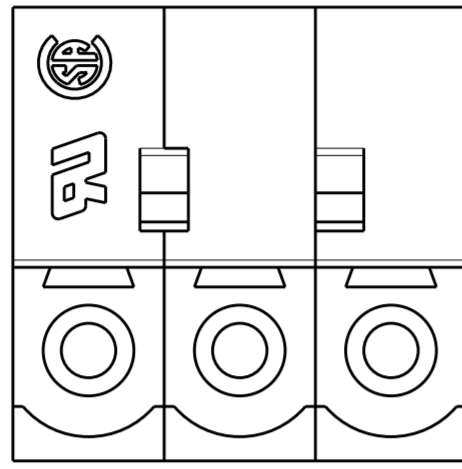
DIMENSIONS: mm	TOLERANCES UNLESS OTHERWISE SPECIFIED:	DWN RAVLS 12SEP2016	TE Connectivity
	0 PLC ±	CHK M.LUKSIC 12SEP2016	
	1 PLC ±0.2	APVD M.LUKSIC 12SEP2016	
	2 PLC ±0.13	PRODUCT SPEC -	
	3 PLC ±	APPLICATION SPEC -	NAME TERMINAL BLOCK PLUG, PARALLEL WIRE ENTRY, 5.0MM PITCH
	4 PLC ±	WEIGHT -	SIZE A2 CAGE CODE - DRAWING NO. C-2305909 RESTRICTED TO -
MATERIAL SEE NOTES	ANGLES ±	CUSTOMER DRAWING	SCALE 5:1 SHEET 1 OF 2 REV A1
	FINISH -		

THIS DRAWING IS UNPUBLISHED. RELEASED FOR PUBLICATION
 © COPYRIGHT copyright.d8Te- ALL RIGHTS RESERVED.

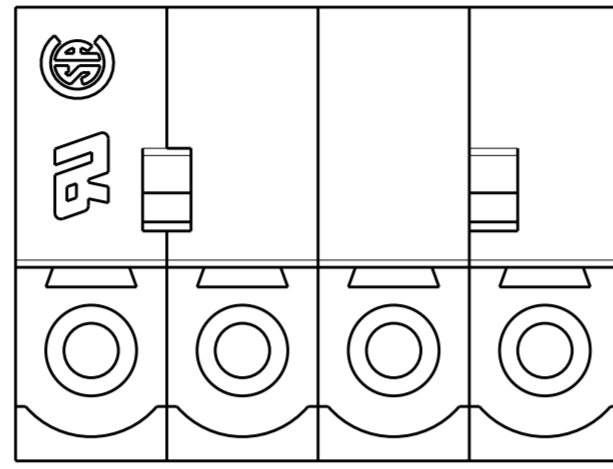
REVISIONS				
P	LTR	DESCRIPTION	DATE	APVD
-		SEE SHEET 1	-	-



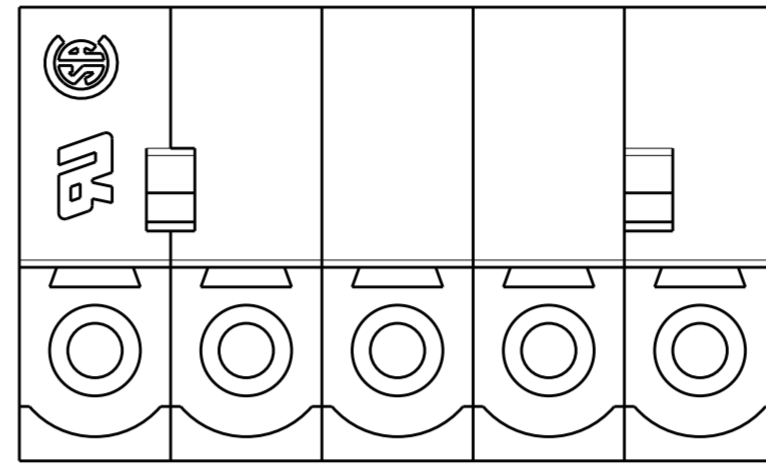
2 POLES: 2305909-2



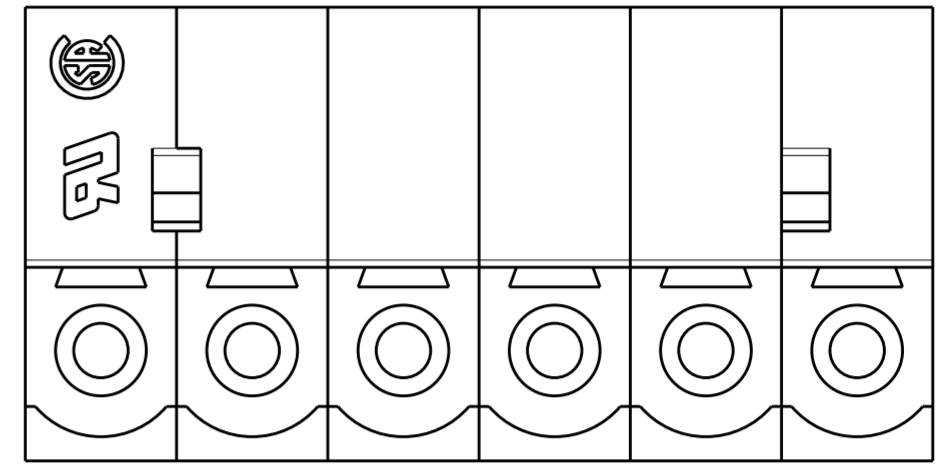
3 POLES: 2305909-3



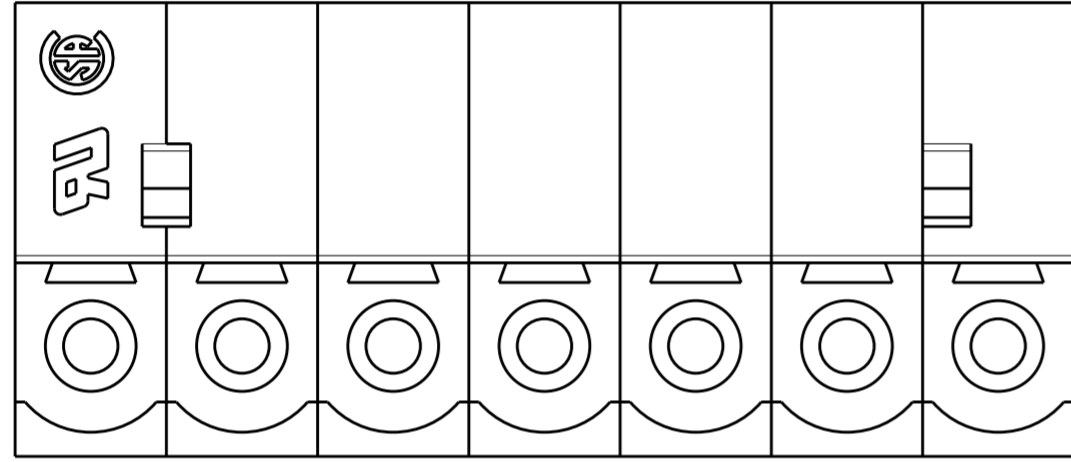
4 POLES: 2305909-4



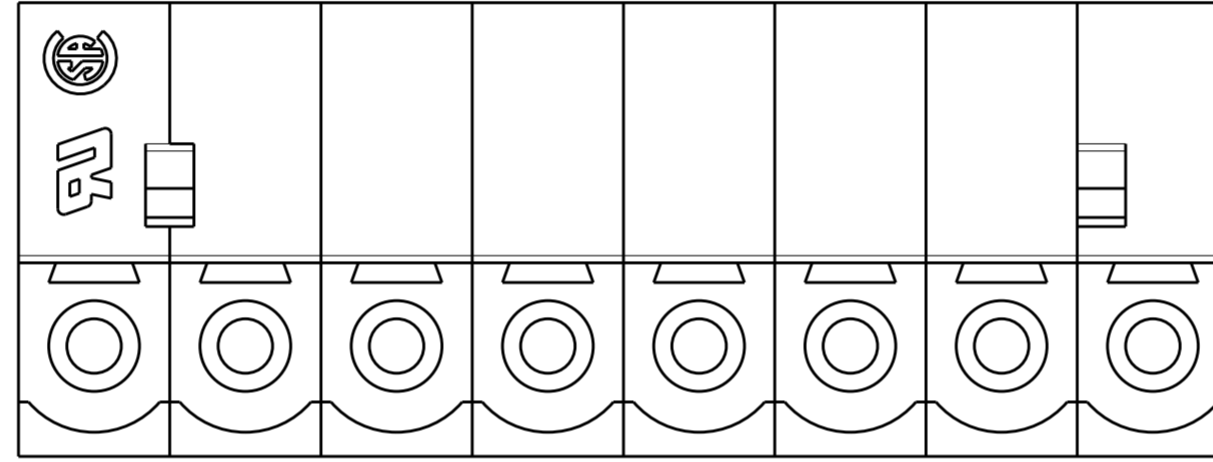
5 POLES: 2305909-5



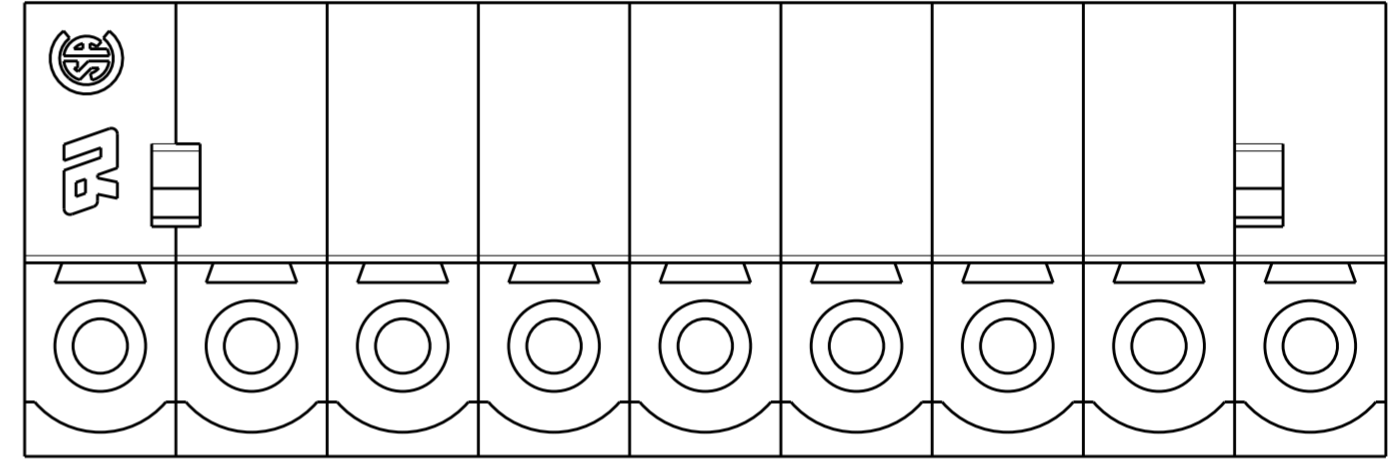
6 POLES: 2305909-6



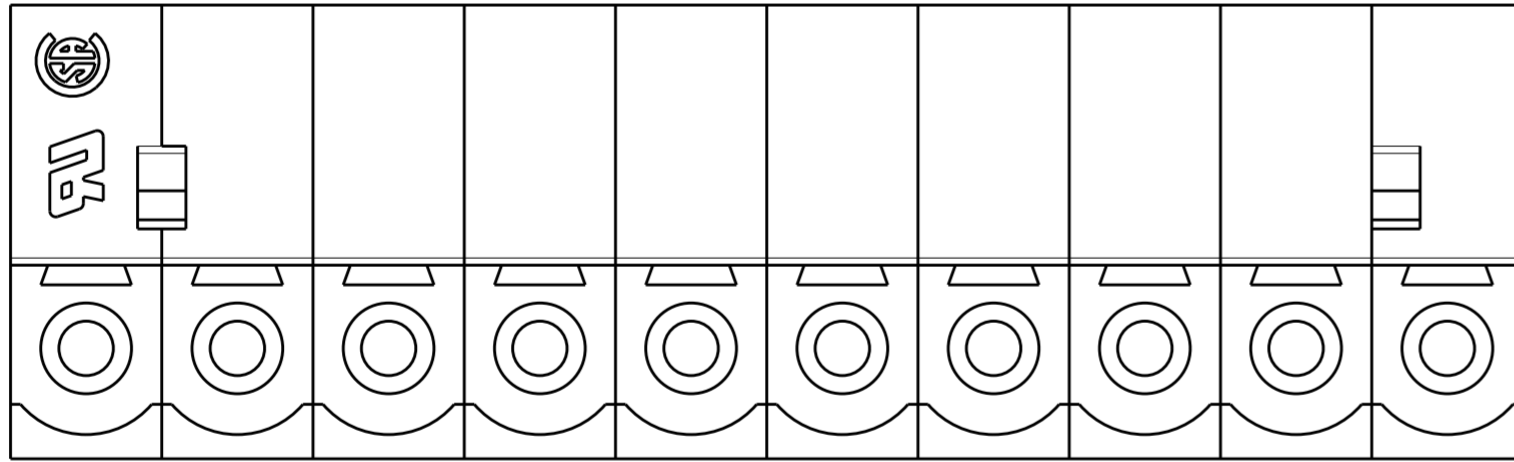
7 POLES: 2305909-7



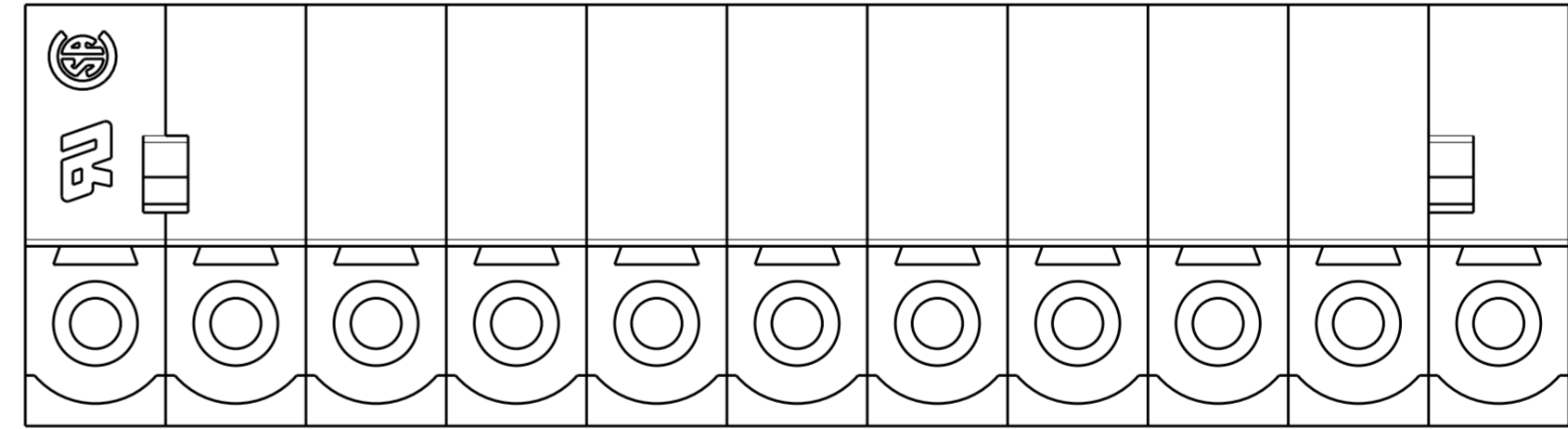
8 POLES: 2305909-8



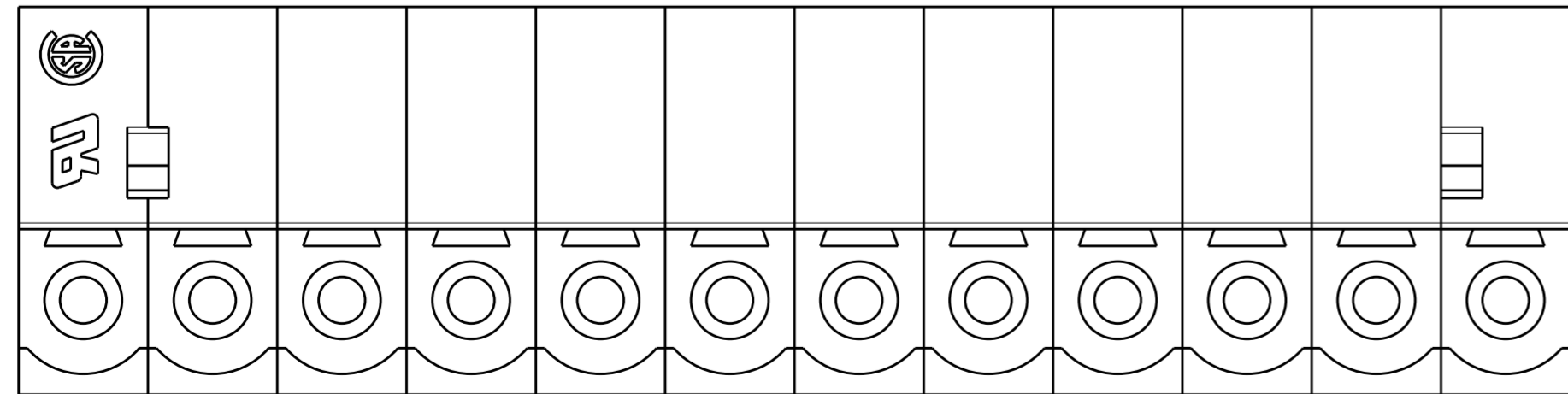
9 POLES: 2305909-9




10 POLES: 1-2305909-0



11 POLES: 1-2305909-1



12 POLES: 1-2305909-2

THIS DRAWING IS A CONTROLLED DOCUMENT.		DWN RAVLS 12SEP2016	 TE Connectivity
DIMENSIONS: mm		CHK M.LUKSIC 12SEP2016	
TOLERANCES UNLESS OTHERWISE SPECIFIED: 0 PLC ± 1 PLC ±0.2 2 PLC ±0.13 3 PLC ± 4 PLC ± ANGLES ± FINISH		APVD M.LUKSIC 12SEP2016	NAME TERMINAL BLOCK PLUG, PARALLEL WIRE ENTRY, 5.0MM PITCH
MATERIAL		PRODUCT SPEC -	SIZE A2
		APPLICATION SPEC -	CAGE CODE -
		WEIGHT -	DRAWING NO G-2305909
		CUSTOMER DRAWING	RESTRICTED TO -
		SCALE 5:1	SHEET 2 OF 2
			REV A1

X-ON Electronics

Largest Supplier of Electrical and Electronic Components

Click to view similar products for [Pluggable Terminal Blocks](#) category:

Click to view products by [TE Connectivity](#) manufacturer:

Other Similar products are found below :

[57.404.7553](#) [57.504.0053.7](#) [57.510.0053](#) [57.910.6153](#) [01.112.1453](#) [CTB932VE/6](#) [MC 1.5/ 6-ST-3.5 GY AU](#) [ET02015000J0G](#) [734-104](#) [734-302](#) [734-304](#) [8-141-P](#) [FKCT 2.5/ 3-ST KMGY](#) [860505](#) [860508](#) [860516](#) [860810](#) [861908](#) [GBPACX-12](#) [93.731.4953.0](#) [PV05-5,08-K](#) [PVP02-5,00](#) [PVP04-3,50](#) [PVS02-5,00](#) [1-1986160-3](#) [H-10](#) [1546228-5](#) [ELFP03110](#) [ELVP03100](#) [ELXH03100](#) [ELXP041G0](#) [ELXT046G0](#) [1700101](#) [1700410](#) [1703243](#) [1703634](#) [1705229](#) [1710175](#) [1714537](#) [1717806](#) [1719600](#) [1728941](#) [1729386](#) [1734692](#) [1734795](#) [1736036](#) [1740194](#) [1740291](#) [1740628](#) [1740990](#)