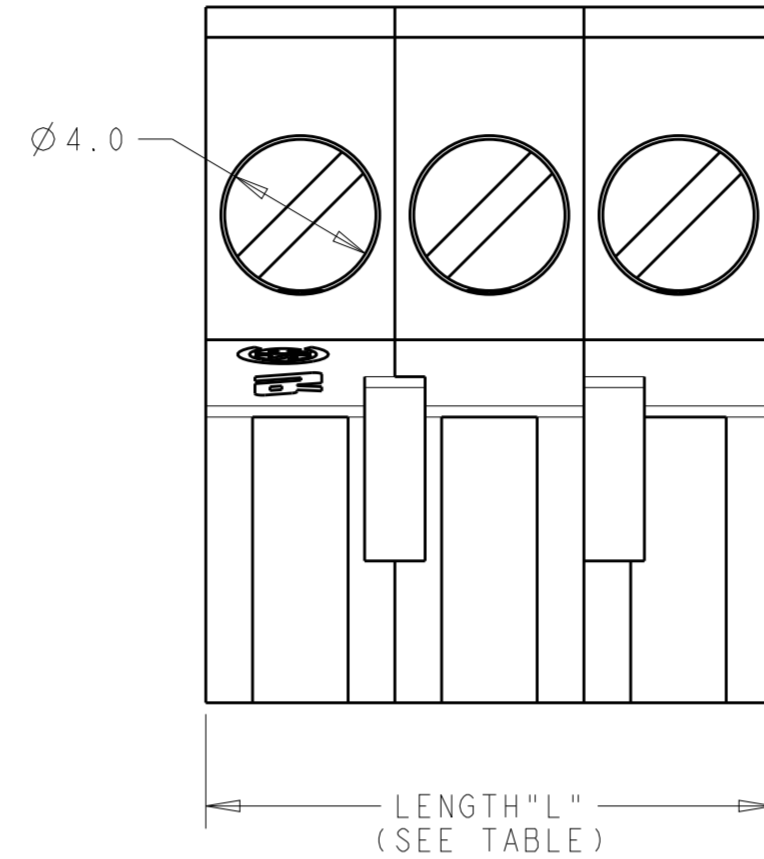
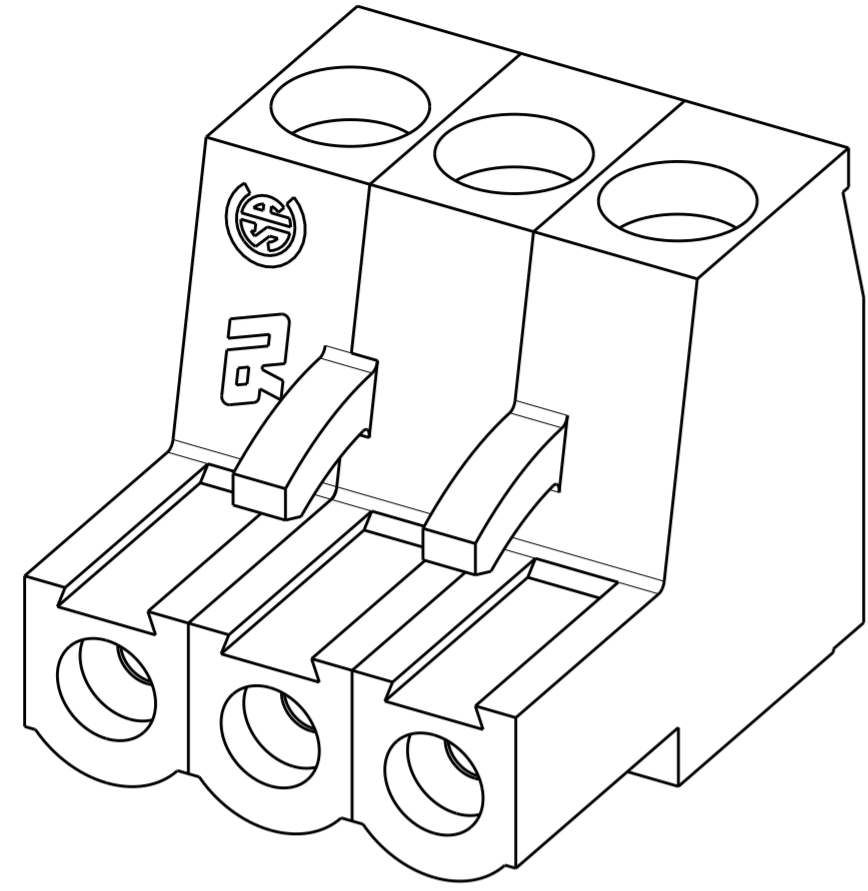


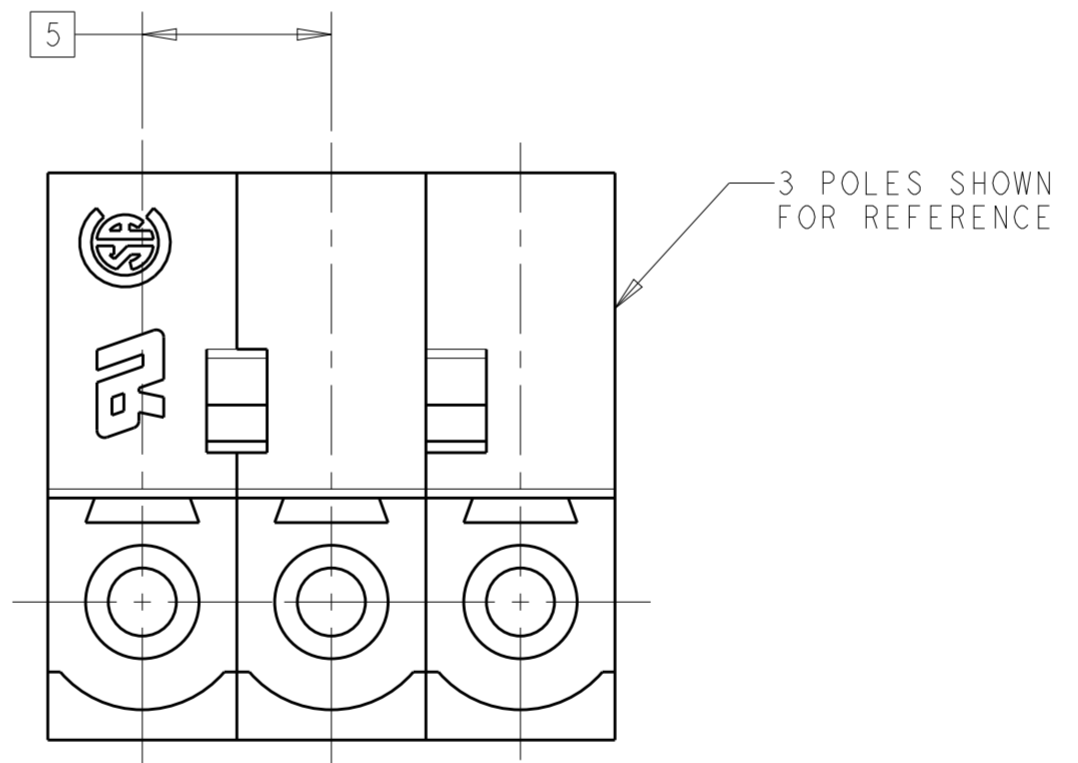
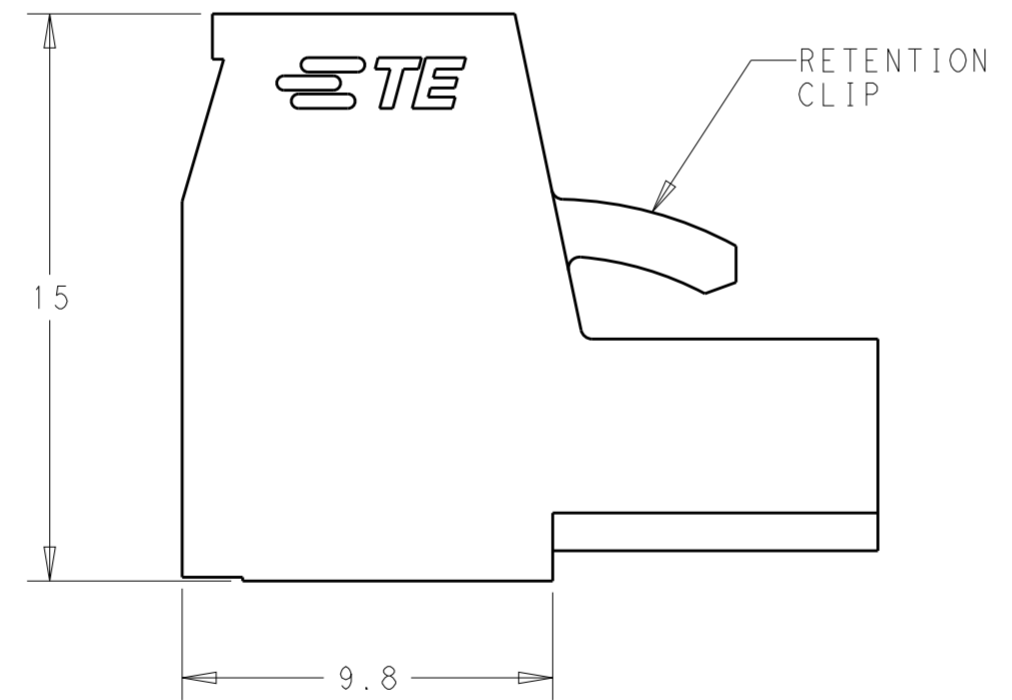
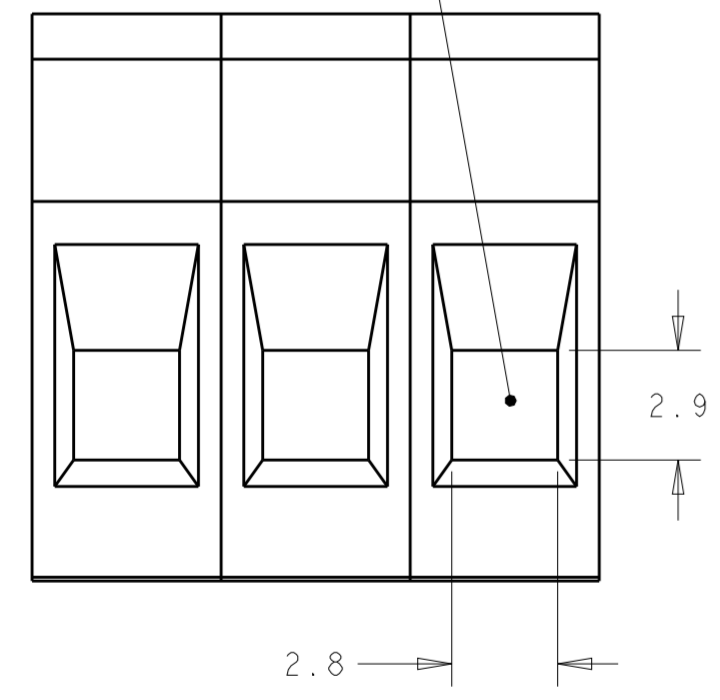
THIS DRAWING IS UNPUBLISHED. RELEASED FOR PUBLICATION
 © COPYRIGHT copyright.d8te- ALL RIGHTS RESERVED.

REVISIONS				
P	LTR	DESCRIPTION	DATE	APVD
A		NEW DRAWING	12SEP2016	RS ML
A1		REVISED PER ECR-16-016988	03JAN2017	RK PO



1. HOUSING MATERIAL: THERMOPLASTIC, FLAME-RETARDANT PER UL 94 V-0
COLOR = BLACK
2. CONTACT MATERIAL: COPPER ALLOY, NICKEL PLATE
3. WIRE SIZE: 26-12 AWG
4. WIRE STRIP LENGTH = 7.0MM
5. SCREW TIGHTENING TORQUE: 0.5 N-m
6. PRODUCT CERTIFICATIONS:
UL, CSA: 300V (SEE TABLE FOR RATED CURRENT)
7. HAZARDOUS SUBSTANCE COMPLIANCE: RoHS, REACH
8. MATES WITH 2305908

WIRE ENTRY



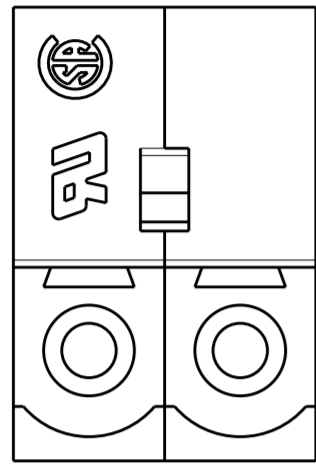
10A UL GROUP D CSA GROUP D,E	60.0	12	1-2305909-2
	55.0	11	1-2305909-1
	50.0	10	1-2305909-0
15A UL GROUP B CSA GROUP B	45.0	9	2305909-9
	40.0	8	2305909-8
	35.0	7	2305909-7
	30.0	6	2305909-6
	25.0	5	2305909-5
	20.0	4	2305909-4
	15.0	3	2305909-3
10.0	2	2305909-2	
RATED CURRENT Δ 6	LENGTH "L" (mm)	NO. OF POLES	TE PART NO.

THIS DRAWING IS A CONTROLLED DOCUMENT.

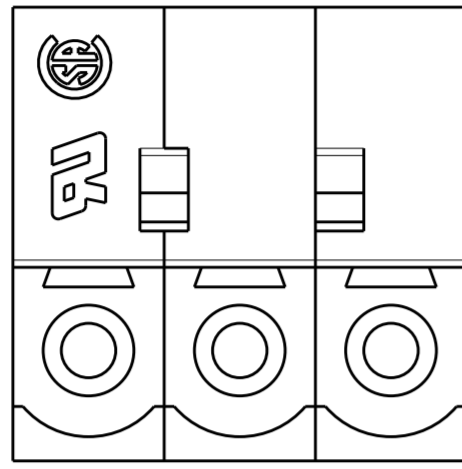
DIMENSIONS:	TOLERANCES UNLESS OTHERWISE SPECIFIED:	DWN	12SEP2016	TE Connectivity NAME TERMINAL BLOCK PLUG, PARALLEL WIRE ENTRY, 5.0MM PITCH			
mm	0 PLC ±	CHK	12SEP2016				
	1 PLC ±0.2	APVD	12SEP2016				
	2 PLC ±0.13	PRODUCT SPEC					
	3 PLC ±	APPLICATION SPEC		SIZE	CAGE CODE	DRAWING NO	RESTRICTED TO
	4 PLC ±	WEIGHT		A2	-	G-2305909	-
MATERIAL	FINISH	CUSTOMER DRAWING		SCALE	SHEET	OF	REV
SEE NOTES	-			5:1	1	2	A1

THIS DRAWING IS UNPUBLISHED. RELEASED FOR PUBLICATION
 © COPYRIGHT copyright.d8Te- ALL RIGHTS RESERVED.

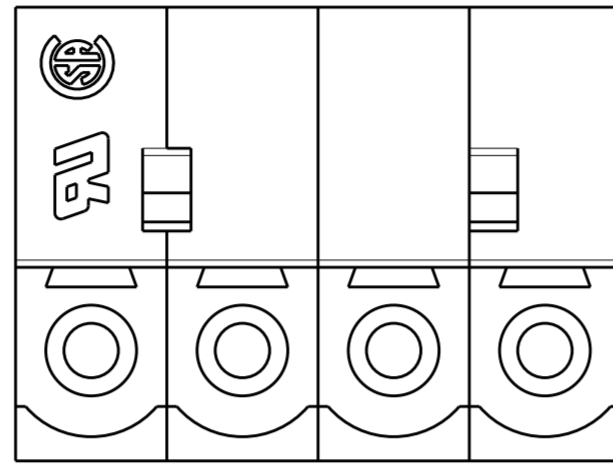
REVISIONS				
P	LTR	DESCRIPTION	DATE	APVD
-		SEE SHEET 1	-	-



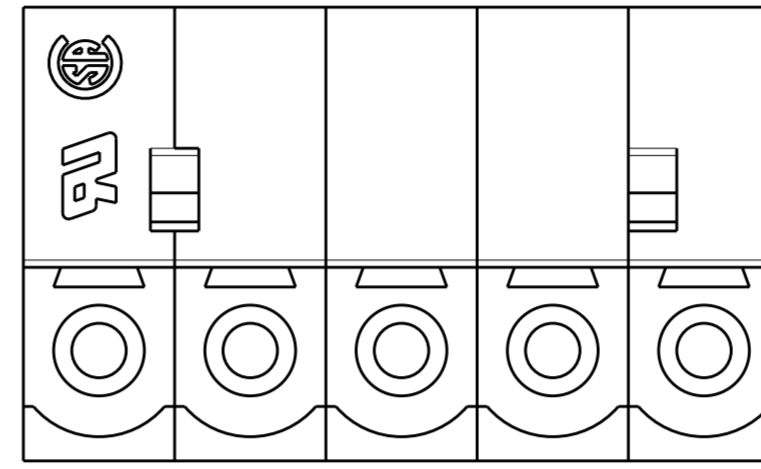
2 POLES: 2305909-2



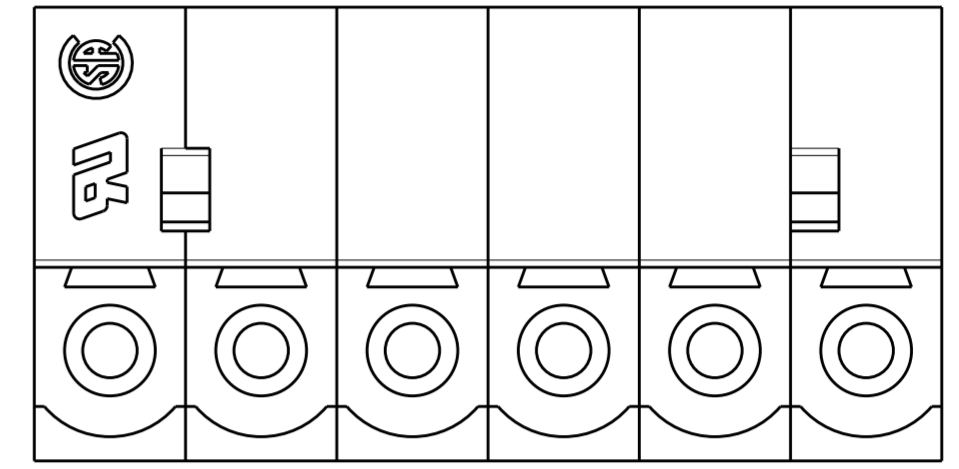
3 POLES: 2305909-3



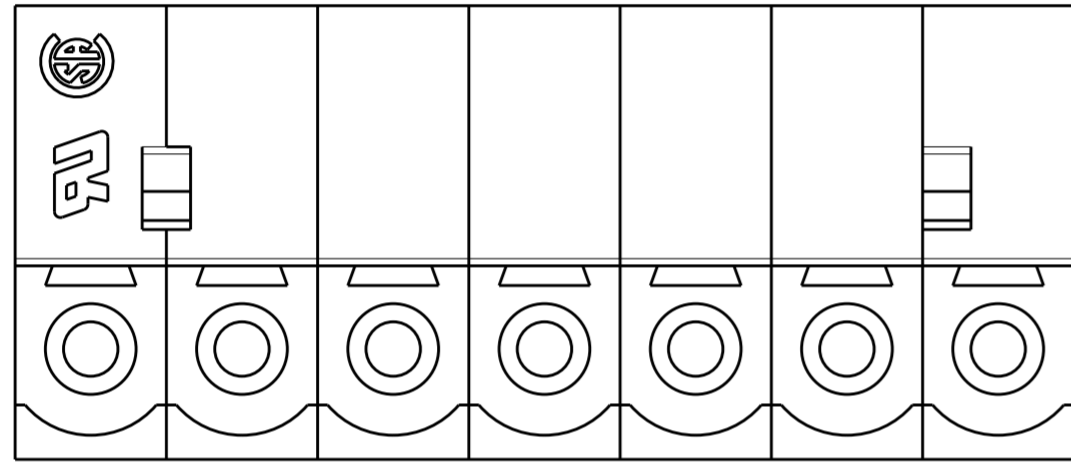
4 POLES: 2305909-4



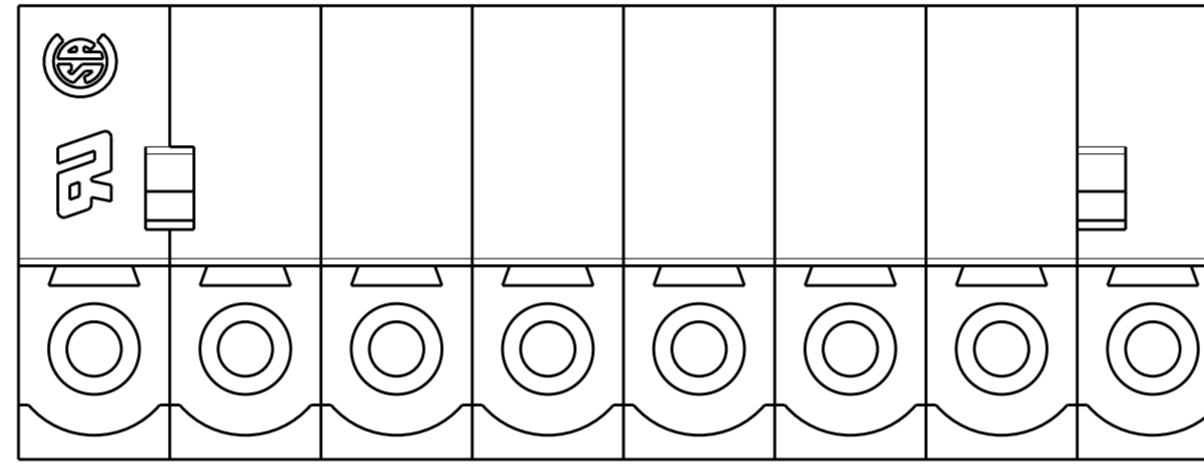
5 POLES: 2305909-5



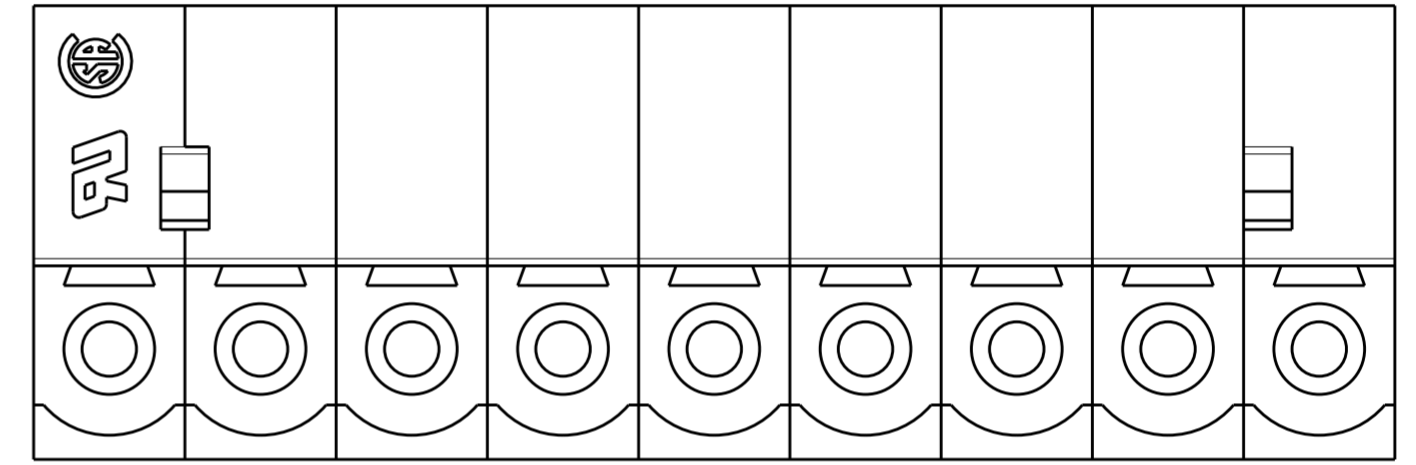
6 POLES: 2305909-6



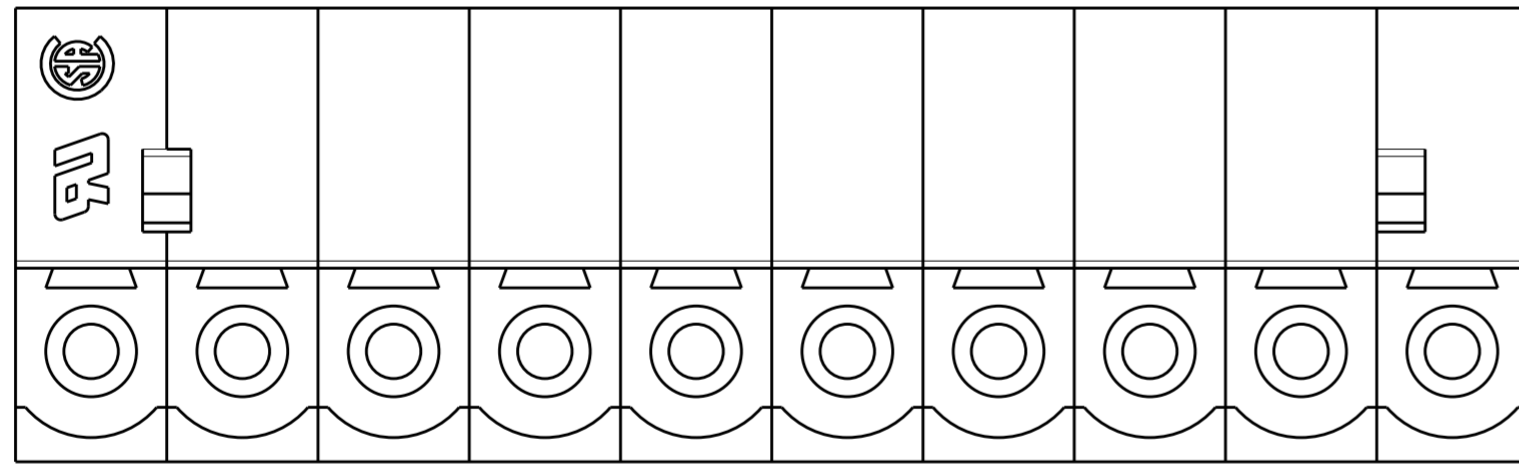
7 POLES: 2305909-7



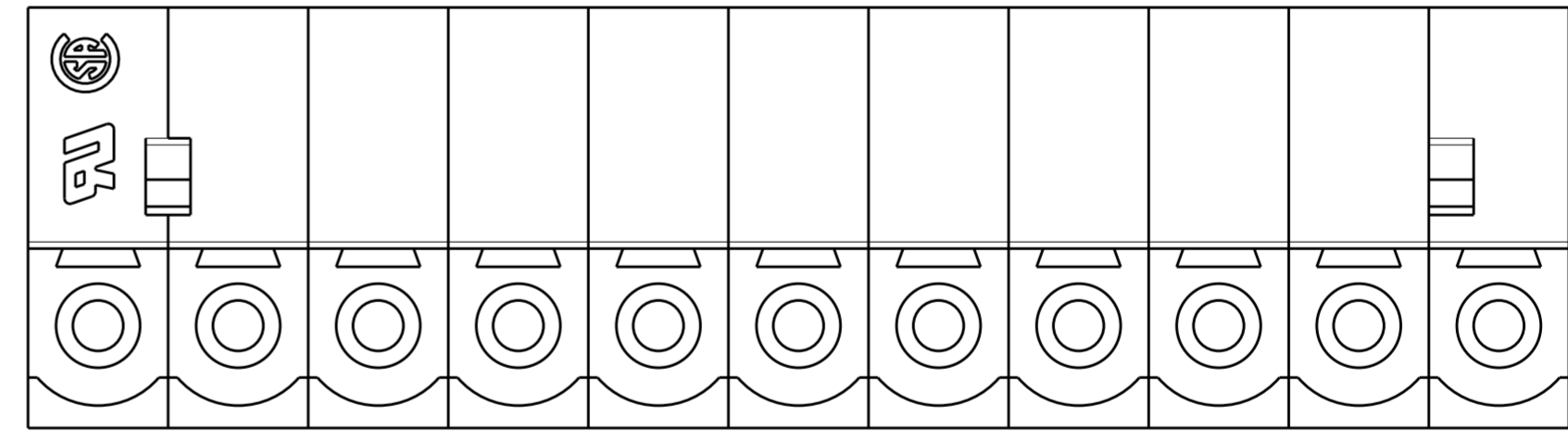
8 POLES: 2305909-8



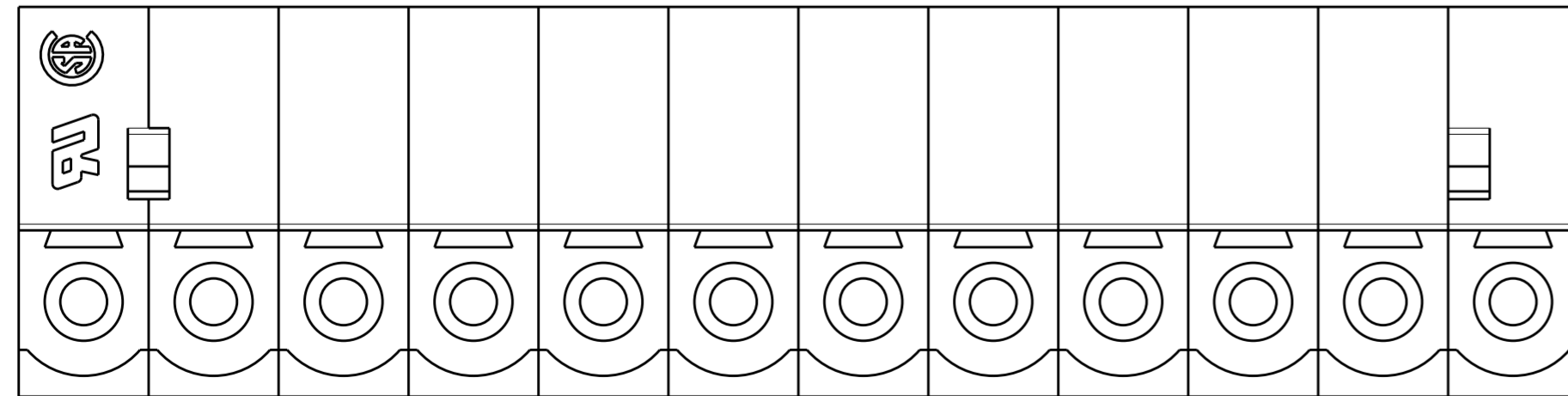
9 POLES: 2305909-9




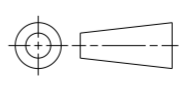
10 POLES: 1-2305909-0



11 POLES: 1-2305909-1



12 POLES: 1-2305909-2

THIS DRAWING IS A CONTROLLED DOCUMENT.		DWN RAVLS 12SEP2016	 TE Connectivity	
DIMENSIONS: mm		CHK M.LUKSIC 12SEP2016		
TOLERANCES UNLESS OTHERWISE SPECIFIED:		APVD M.LUKSIC 12SEP2016	NAME TERMINAL BLOCK PLUG, PARALLEL WIRE ENTRY, 5.0MM PITCH	
		PRODUCT SPEC	RESTRICTED TO	
MATERIAL		APPLICATION SPEC	SIZE A2	CAGE CODE
		WEIGHT	DRAWING NO G-2305909	
		CUSTOMER DRAWING	SCALE 5:1	SHEET 2 OF 2
			REV A1	

X-ON Electronics

Largest Supplier of Electrical and Electronic Components

Click to view similar products for [Pluggable Terminal Blocks](#) category:

Click to view products by [TE Connectivity](#) manufacturer:

Other Similar products are found below :

[57.510.0053](#) [MC 1.5/ 6-ST-3.5 GY AU](#) [734-104](#) [734-302](#) [8-141-P](#) [8426620000](#) [860505](#) [860516](#) [860810](#) [GBPACX-12](#) [93.731.4953.0](#) [PV05-5,08-K](#) [PVP02-5,00](#) [PVP03-3,50](#) [PVP04-3,50](#) [PVS02-5,00](#) [1-1986160-3](#) [1377680000](#) [1531000000](#) [1546228-5](#) [ELFH16150](#) [ELFP03110](#) [ELFP10210](#) [ELFT06250](#) [ELVP03100](#) [1700101](#) [1700410](#) [1700425](#) [1702246](#) [1705229](#) [1710175](#) [1714537](#) [1717806](#) [1719600](#) [1728941](#) [1734692](#) [1734795](#) [1736036](#) [1740194](#) [1740291](#) [1740628](#) [1740990](#) [1746952](#) [1750207](#) [1752441](#) [1752865](#) [1754115](#) [1754144](#) [1756913](#) [1760051](#)