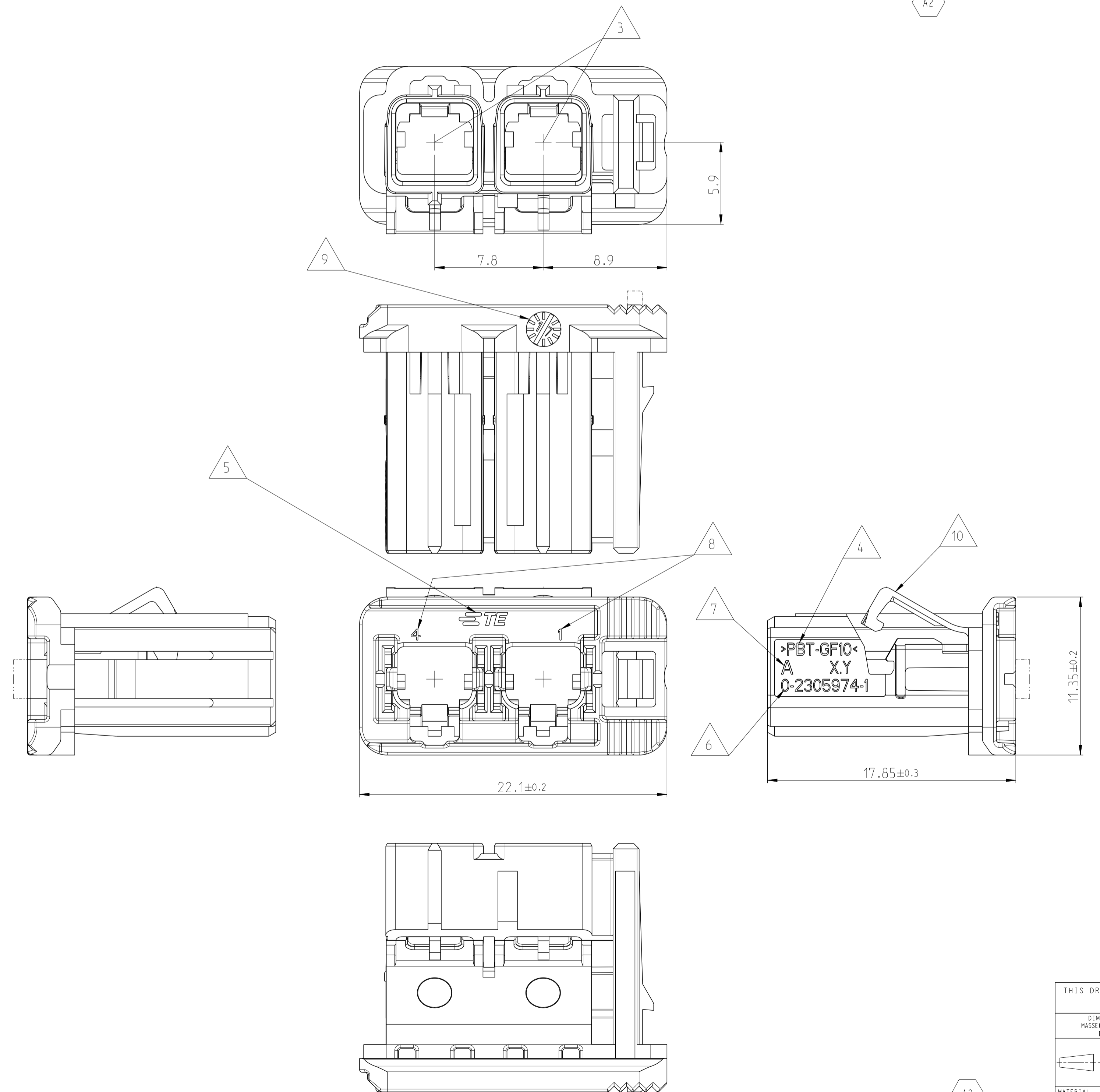
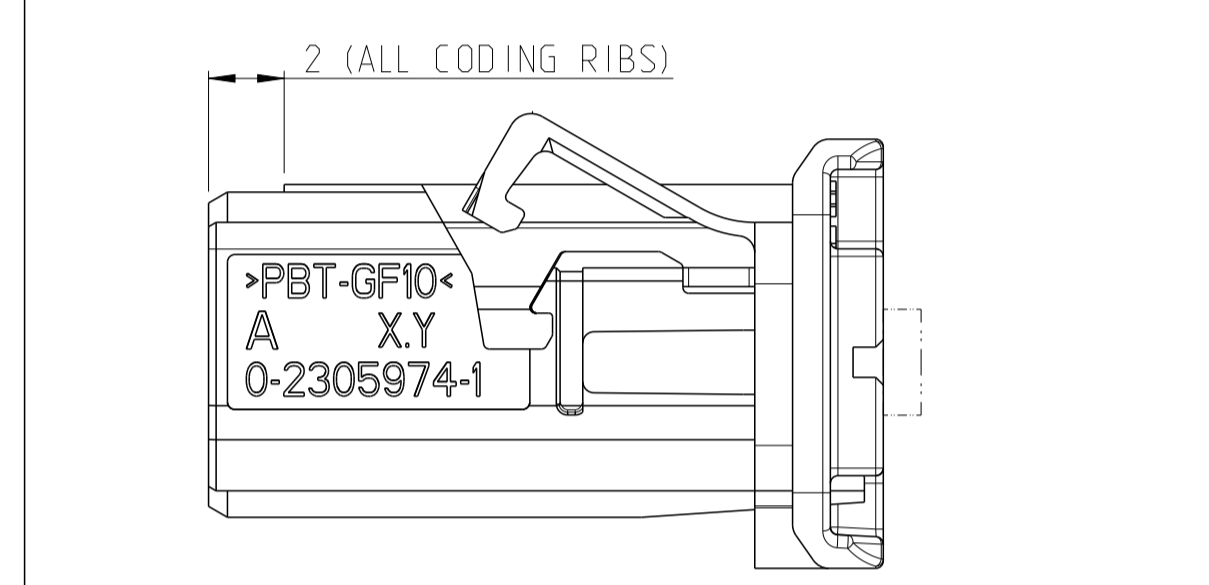
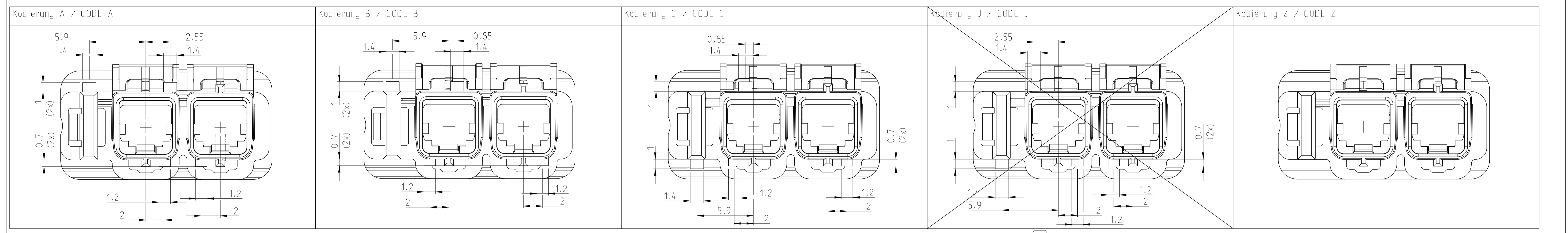
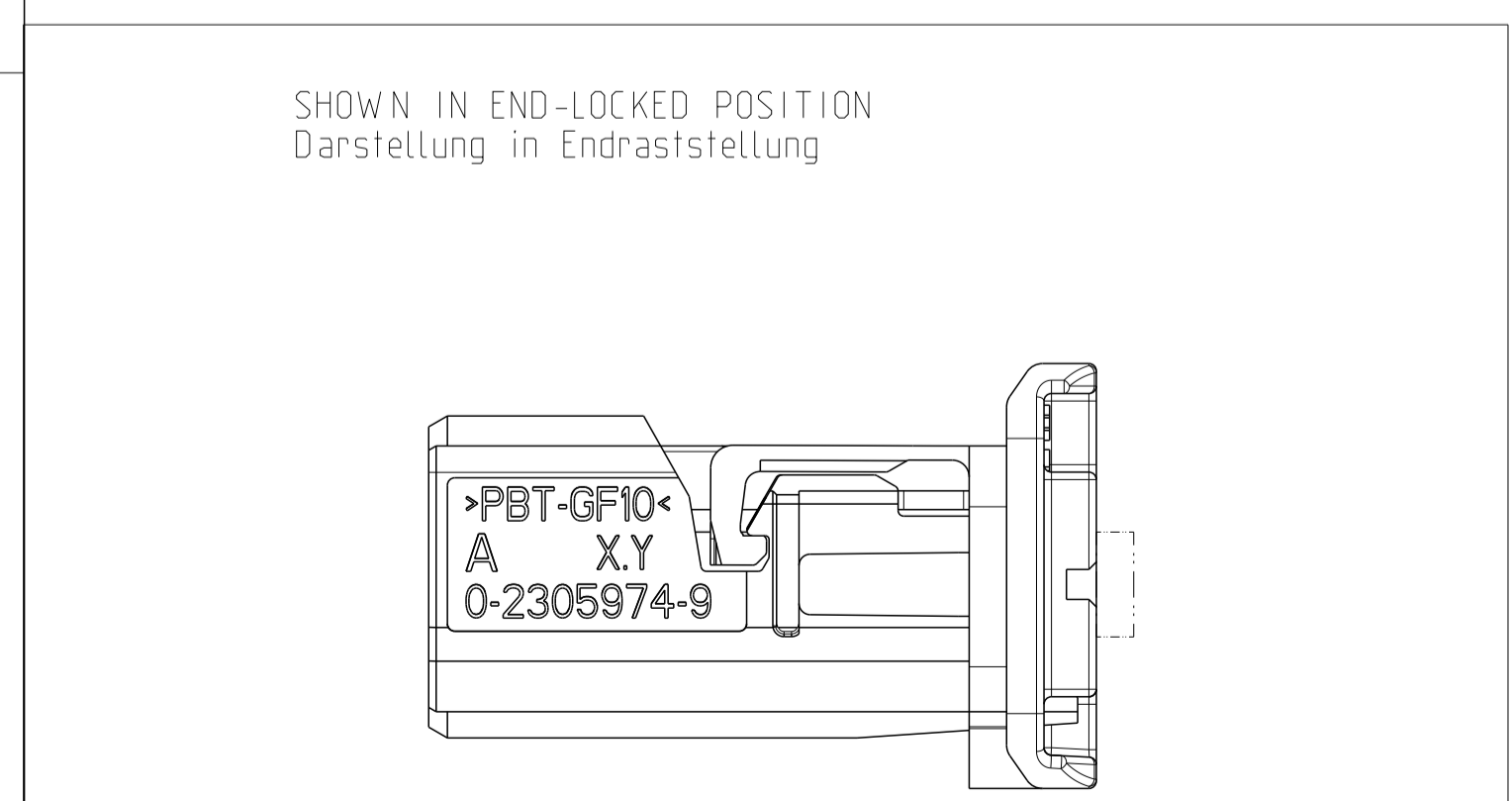


PROJEKT NR.:		REVISIONS ÄNDERUNGEN			
P	LTN	DESCRIPTION BESCHREIBUNG	DATE	OWN	APVD
A		NEW DRAWING	130C T2016	K I J	AK
A1		E-17-011935	17AUG2017	R W	AK
A2		E-19-014867	11NOV2019	FF	AK



- Notizen / NOTES
- 0-2305974-1 Kodierung A wie dargestellt
0-2305974-1 CODING A AS SHOWN
 - Passend zu Stiftwanne nach
TE-Schnittstellenzeichnung 208-18012
MATING TO PINHEADER ACC.
TE-INTERFACE DRAWING 208-18012
 - Kammer fuer MATenet 2Pos. NanoMQS female Insert module
TE PN 0-2302450-X
CAVITY FOR MATenet 2Pos. NanoMQS FEMALE INSERT MODULE
TE PN 0-2302450-X
 - Materialkennzeichnung
MATERIAL MARKING
 - TE-Logo
TE-LOGO
 - TE-Teile Nummer
TE-Part Number
 - Revisionsstand
PART REVISION
 - Kontaktkammernummer
CONTACT CAVITY NUMBER
 - Produktionsdatum
PRODUCTION DATE
 - Anlieferungszustand: 2. Kontaktsicherung geöffnet
DELIVERY CONDITION: RETAINER IN OPEN POSITION
 - Verpackung: Schuetztgut im Beutel im Karton
PACKAGING: LOOSE PIECES IN BAG IN BOX



CODE	PART No.	REV.	DESCRIPTION	MATERIAL	WEIGHT [g]	COLOR similar RAL
Z	0-2305974-9	A	Dual-Port MATenet Frame, Code Z	PBT-GF10 0% regrind	1.5	water-blue 5021
J	0-2305974-7	A	Dual-Port MATenet Frame, Code J		1.5	beige 1004
C	0-2305974-3	A	Dual-Port MATenet Frame, Code C		1.5	blue 5012
B	0-2305974-2	A	Dual-Port MATenet Frame, Code B		1.5	white 9010
A	0-2305974-1	A	Dual-Port MATenet Frame, Code A		1.5	black 9011

THIS DRAWING IS A CONTROLLED DOCUMENT. DWG: J.KIESSWITZER 23AUG2016
 CHK: R. WUERKER 13OCT2016
 APVD: A. KETTLER 14OCT2016

DIMENSIONS: DIMENSIONS: mm
 TOLERANCES UNLESS OTHERWISE SPECIFIED: TOLERANZEN
 0 PLC ±0.2
 1 PLC ±0.1
 2 PLC ±0.1
 3 PLC ±0.1
 4 PLC ±
 ANGLES/WINKEL: °
 FINISH/BELEG-FARBE: #

MATERIAL: SEE TABLE

WEIGHT: see table
 CUSTOMER DRAWING

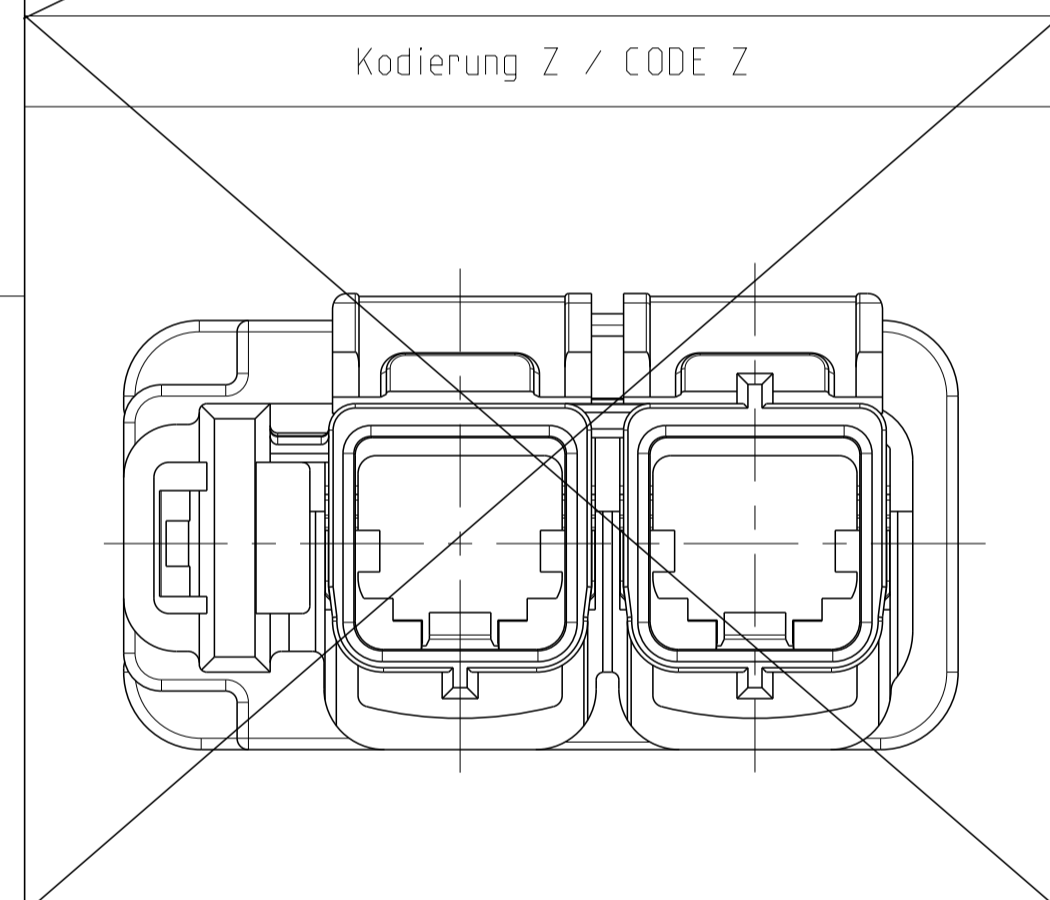
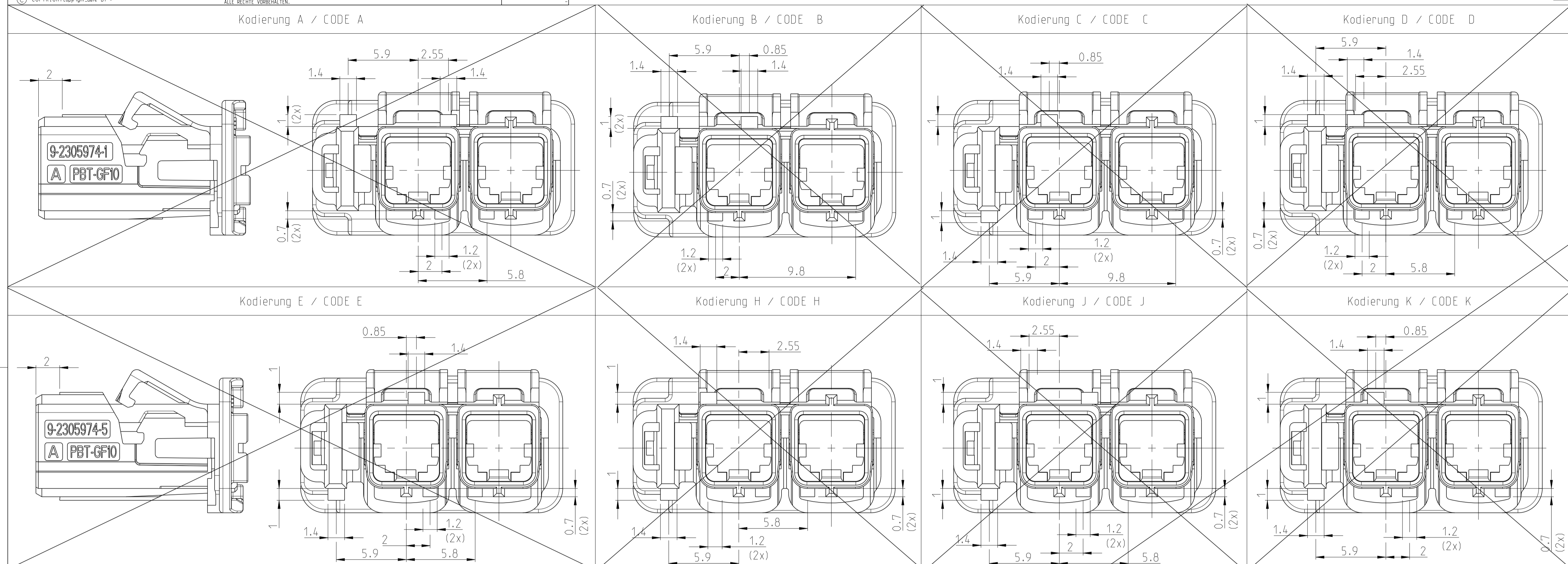
NAME: Dual-Port MATenet Frame
 DUAL-PORT MATenet FRAME

SIZE: A1
 CAGE CODE: 00779
 DRAWING NO: 2305974

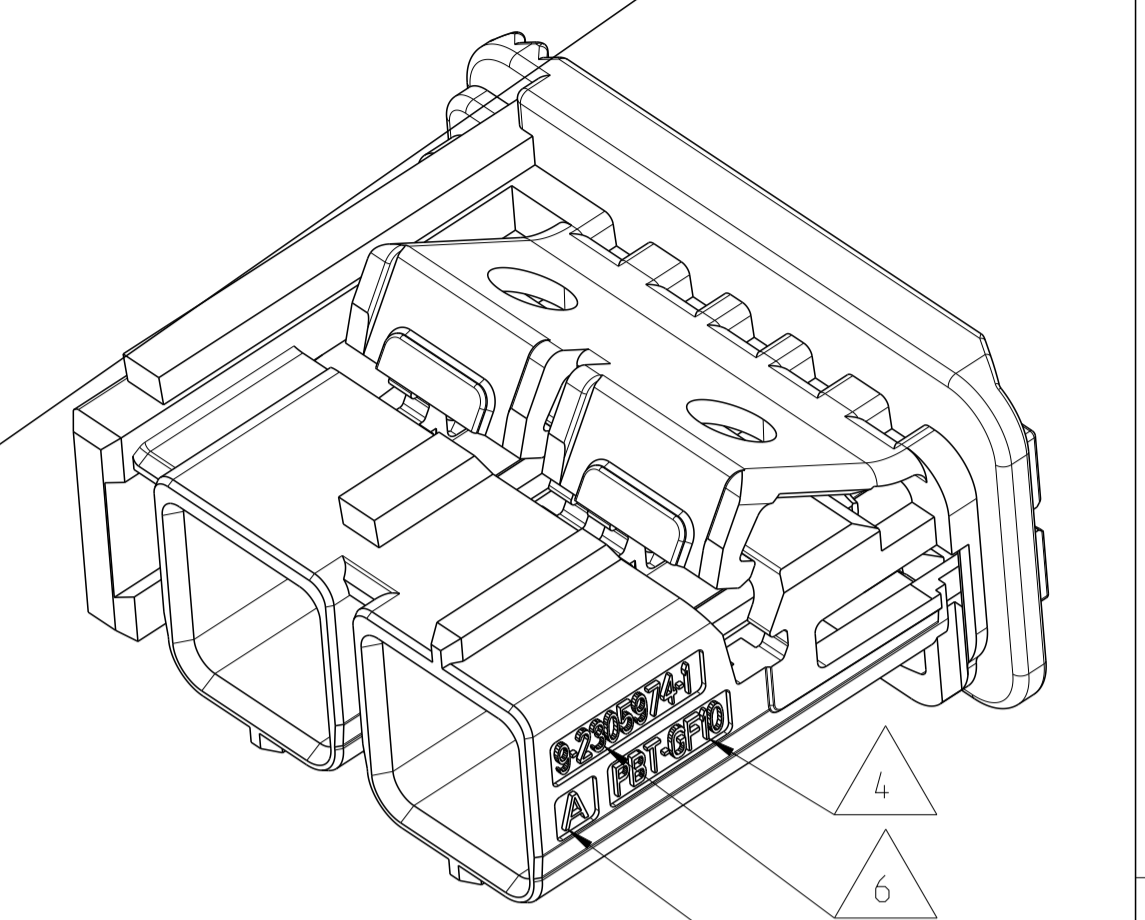
RESTRICTED TO: NUR FÜR

SCALE: MASSSTAB 5:1
 SHEET: BLATT 1 OF 2
 REV: A2

PROJEKT NR.:	REVISIONS	DATE	DNB	APVD
	ÄNDERUNGEN DESCRIPTION BESCHREIBUNG			
	SEE SHEET 1			



A2

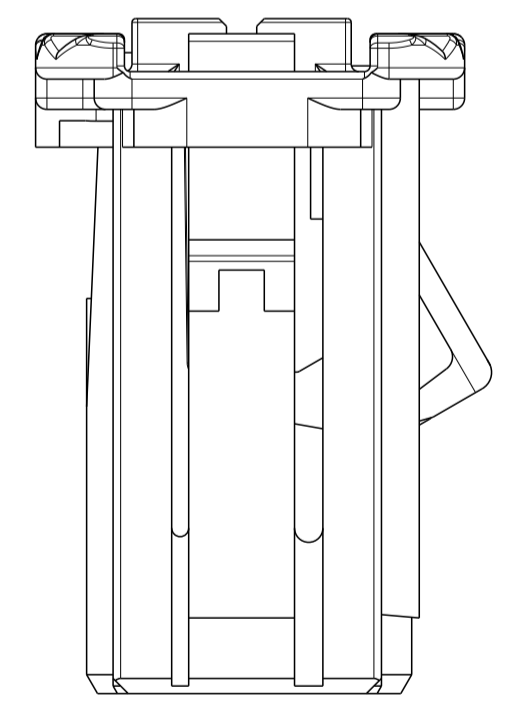
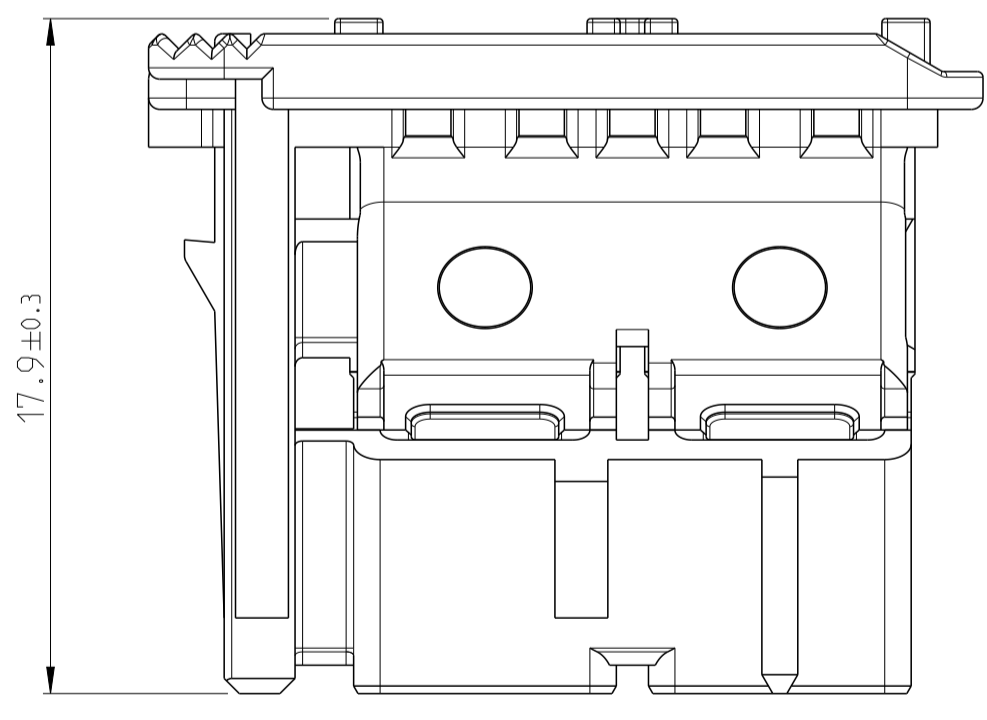
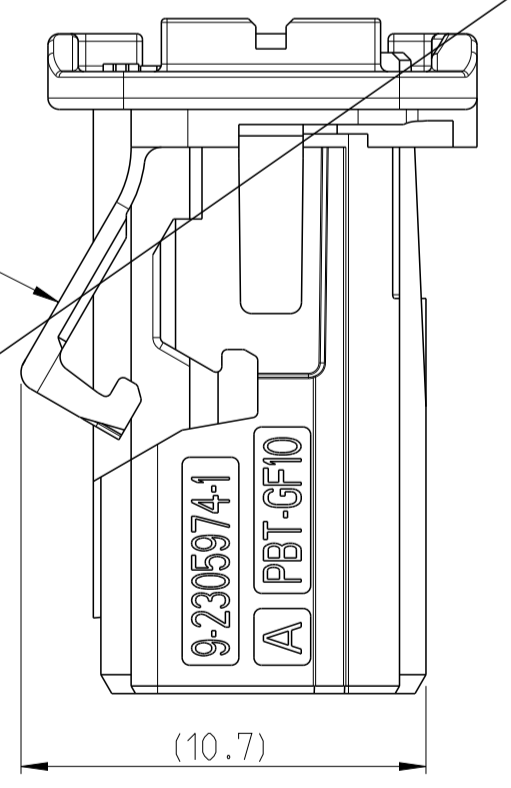
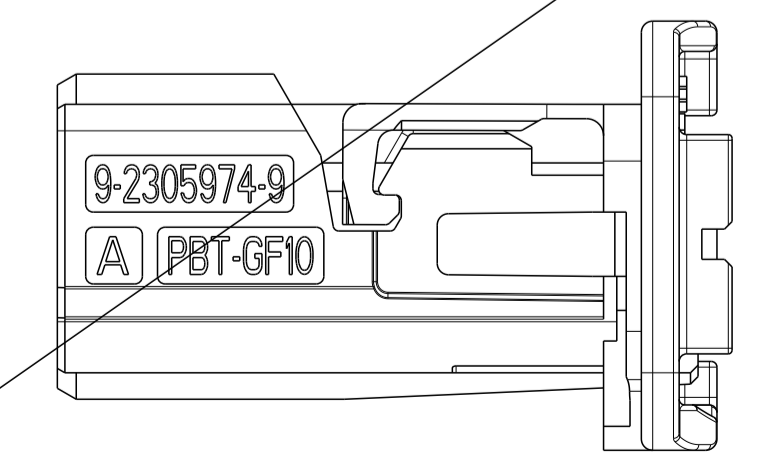


- Notizen / NOTES
- 9-2305974-1 Kodierung A wie dargestellt
9-2305974-1 CODING A AS SHOWN
 - Passend zu Stiftwanne nach
TE-Schnittstellenzeichnung 208-18012
MATING TO PINHEADER ACC.
TE-INTERFACE DRAWING 208-18012
 - Kammer fuer MATenet 2Pos. NanoMQS female Insert module
TE PN 9-2302450-X
CAVITY FOR MATenet 2Pos. NanoMQS FEMALE INSERT MODULE
TE PN 9-2302450-X
 - Materialkennzeichnung
MATERIAL MARKING
 - TE-Logo
TE-LOGO
 - TE-Teile Nummer
TE-Part Number
 - Revisionsstand
PART REVISION
 - Kontaktkammernummer
CONTACT CAVITY NUMBER
 - Produktionsdatum
PRODUKTION DATE
 - Anlieferzustand: 2. Kontaktsicherung geöffnet
DELIVERY CONDITION: RETAINER IN OPEN POSITION
 - Verpackung: Schuetztgut im Beutel im Karton
PACKAGING: LOOSE PIECES IN BAG IN BOX

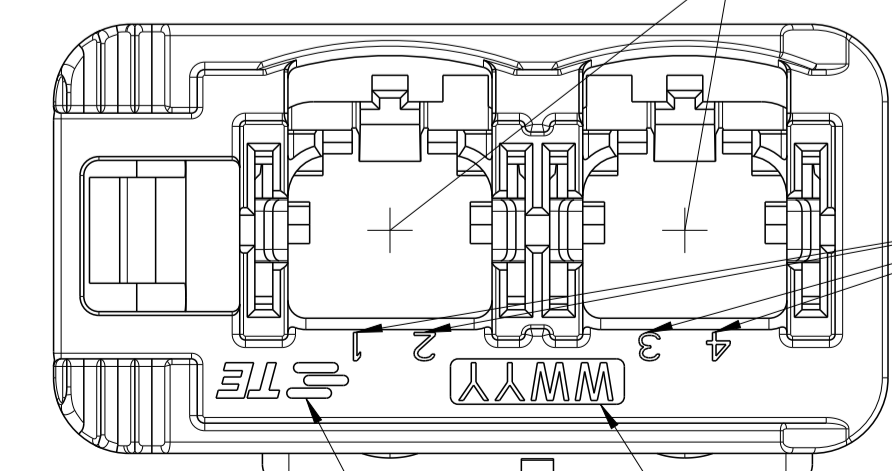
B-MUSTER PROTOTYPE B-SAMPLE

CODE	PART No.	REV.	DESCRIPTION	MATERIAL	WEIGHT [g]	COLOUR similar RAL
Z	9-2305974-9	A	Dual-Port MATenet Frame, Code Z	PBT-GF10 0% Re grind	1.3	water-blue 5021
K	9-2305974-8	A	Dual-Port MATenet Frame, Code K		1.3	curry yellow 1027
J	9-2305974-7	A	Dual-Port MATenet Frame, Code J		1.3	beige 1001
H	9-2305974-6	A	Dual-Port MATenet Frame, Code H		1.3	heather violet 4003
E	9-2305974-5	A	Dual-Port MATenet Frame, Code E		1.3	green 6018
D	9-2305974-4	A	Dual-Port MATenet Frame, Code D		1.3	claret violet 4004
C	9-2305974-3	A	Dual-Port MATenet Frame, Code C		1.3	blue 5012
B	9-2305974-2	A	Dual-Port MATenet Frame, Code B		1.3	white 9010
A	9-2305974-1	A	Dual-Port MATenet Frame, Code A		1.3	black 9011

2. Kontaktsicherung geschlossen
RETAINER CLOSED



OBSOLETE



THIS DRAWING IS A CONTROLLED DOCUMENT. DIMENSIONING AND TOLERANCING PER GPS (ISO STANDARDS)		DWG: 23AUG2016 CHK: J. KIESSWETTER R. WUERKER		NAME: Dual-Port MATenet Frame DUAL-PORT MATenet FRAME	
DIMENSIONS: MASSENHEITEN: mm	TOLERANCES UNLESS OTHERWISE SPECIFIED: ALLE DIMENSIONEN	APVD: A. KETTLER 14OCT2016	PRODUCT SPEC: -	APPLICATION SPEC: -	REVISIONS: -
0 PLC ±0.1	1 PLC ±0.1	2 PLC ±0.1	3 PLC ±0.1	4 PLC ±0.1	5 PLC ±0.1
6 PLC ±0.1	7 PLC ±0.1	8 PLC ±0.1	9 PLC ±0.1	10 PLC ±0.1	11 PLC ±0.1
MATERIAL: -	FINISH/BELEG-FARBE: -	WEIGHT: see table	SCALE: 1:1	SHEET: 2	OF: 2
SEE TABLE		CUSTOMER DRAWING	KUNDENZEICHNUNG	SCALE: 1:1	SHEET: 2

X-ON Electronics

Largest Supplier of Electrical and Electronic Components

Click to view similar products for [Automotive Connectors](#) category:

Click to view products by [TE Connectivity](#) manufacturer:

Other Similar products are found below :

[003-018-000](#) [60403001](#) [60993906-B](#) [M902-2131](#) [M902-2161](#) [M902-2344](#) [72.330.1035.1](#) [73.353.4028.0](#) [F119300-B](#) [F166900](#) [F258300-B](#)
[F358300-B](#) [F407400](#) [F444110](#) [F487000](#) [F509500B-B](#) [827153-1](#) [8N1515-32-24P](#) [9-1326729-8](#) [925474-1](#) [928905-1](#) [964562-4](#) [968782-1](#)
[GT17SA-8DS-HU](#) [98891-1012](#) [98947-1016](#) [12004147](#) [12004475-L](#) [12010290](#) [12010309-B](#) [12015454](#) [12020219-B](#) [12041318-B](#) [12052225-](#)
[L](#) [12052466](#) [12064869](#) [12004327-B](#) [12015308](#) [12015384](#) [12015909](#) [1-21030-1](#) [12041254](#) [12041318](#) [12047946-B](#) [12047957](#) [12047957-L](#)
[12059473](#) [12066261](#) [12110546](#) [12110546-B](#)