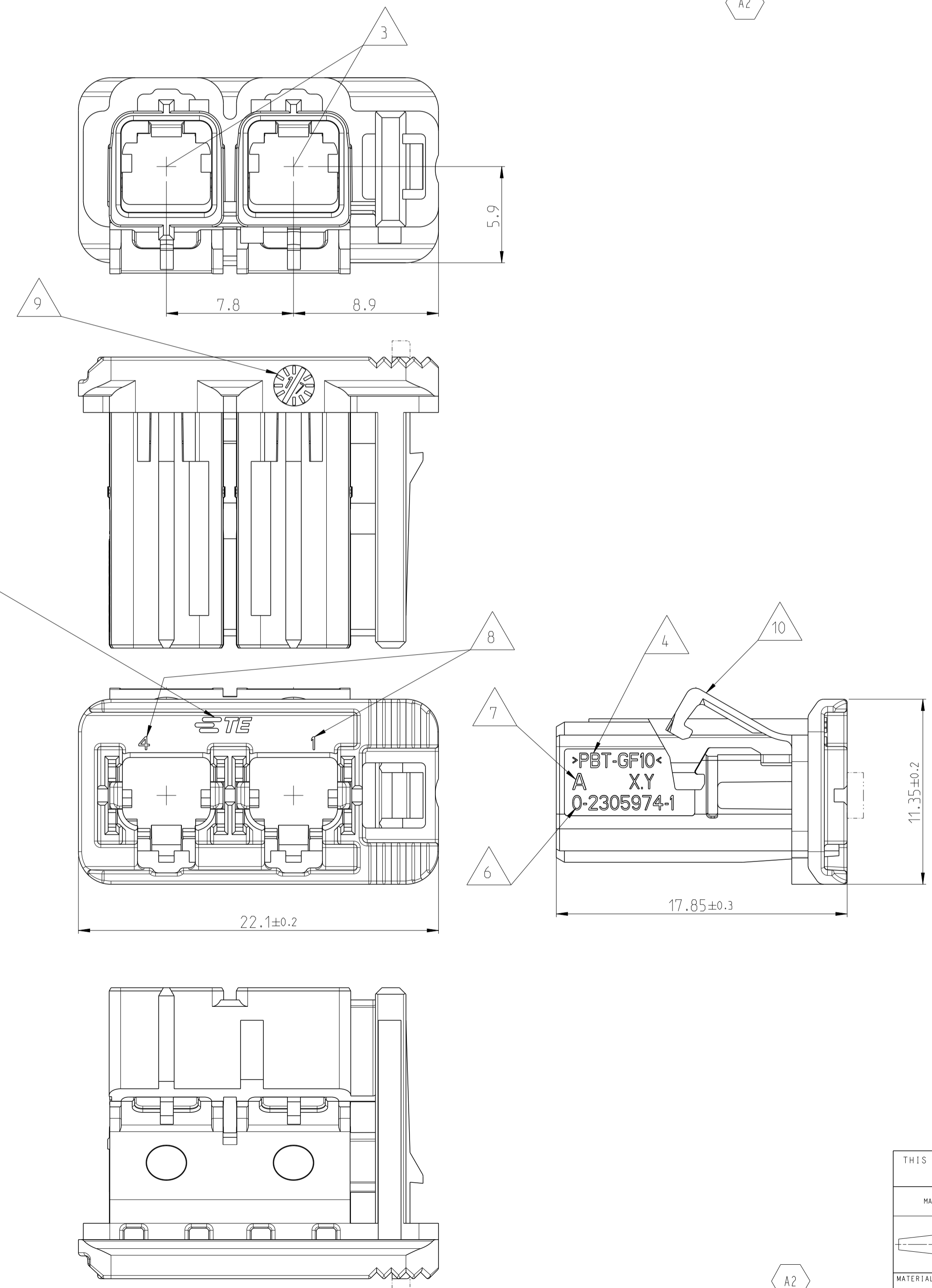
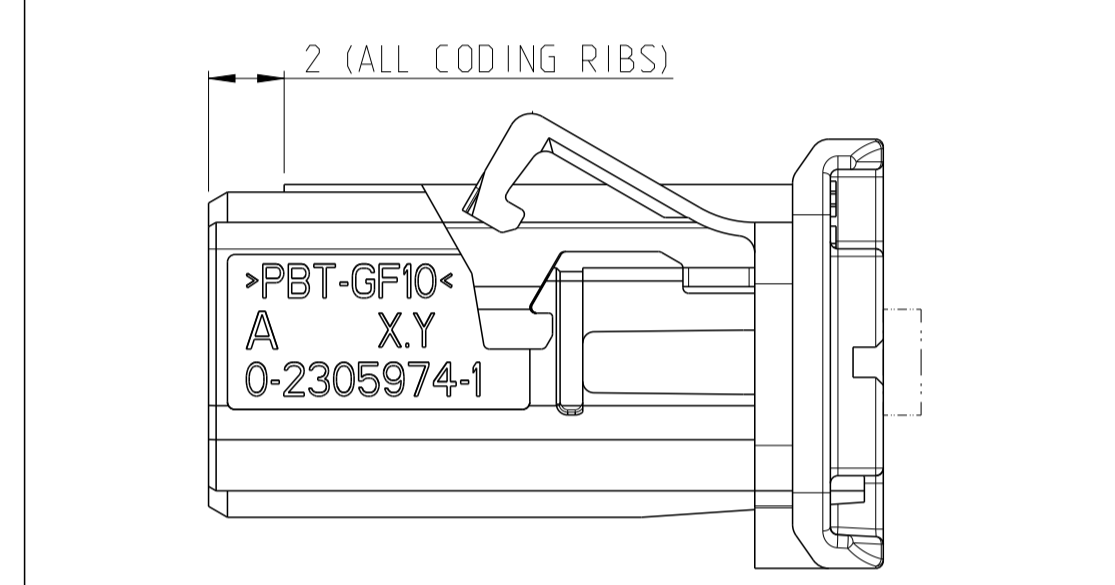
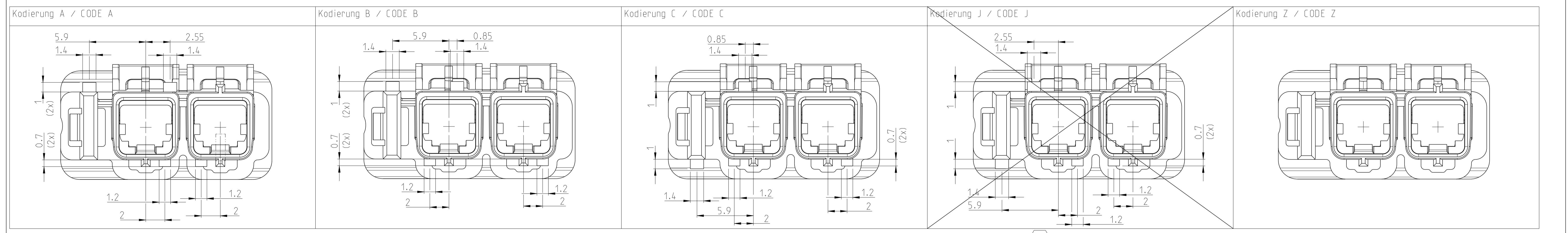
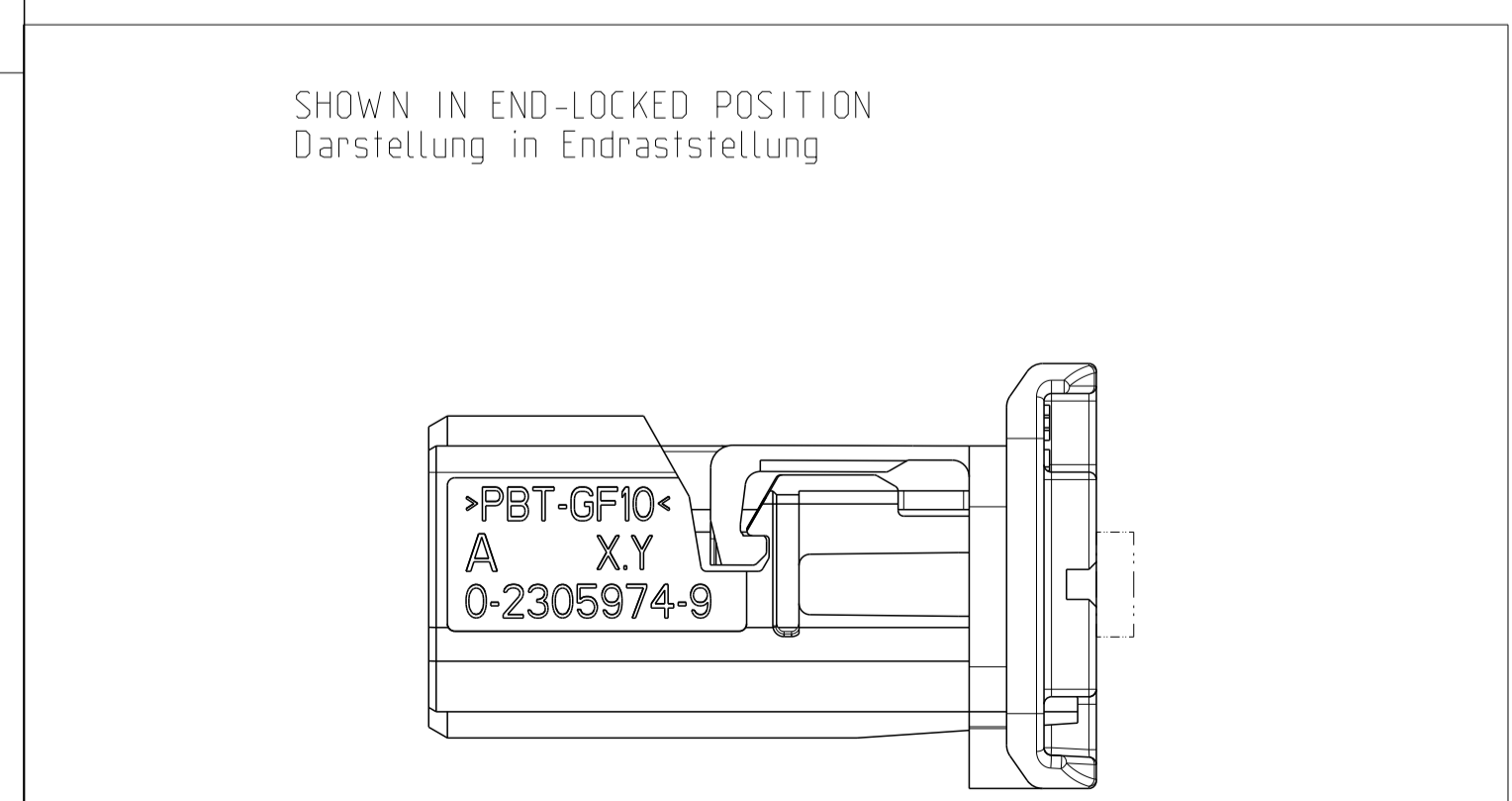


PROJEKT NR.:		REVISIONS ÄNDERUNGEN			
P	LTN	DESCRIPTION BESCHREIBUNG	DATE	DWN	APVD
A		NEW DRAWING	130C12016	KIJ	AK
A1		E-17-011935	17AUG2017	RW	AK
A2		E-19-014867	11NOV2019	FF	AK



- Notizen / NOTES
- 0-2305974-1 Kodierung A wie dargestellt
0-2305974-1 CODING A AS SHOWN
 - Passend zu Stiftwanne nach
TE-Schnittstellenzeichnung 208-18012
MATING TO PINHEADER ACC.
TE-INTERFACE DRAWING 208-18012
 - Kammer fuer MATenet 2Pos. NanoMQS female Insert module
TE PN 0-2302450-X
CAVITY FOR MATenet 2Pos. NanoMQS FEMALE INSERT MODULE
TE PN 0-2302450-X
 - Materialkennzeichnung
MATERIAL MARKING
 - TE-Logo
TE-LOGO
 - TE-Teile Nummer
TE-Part Number
 - Revisionsstand
PART REVISION
 - Kontaktkammernummer
CONTACT CAVITY NUMBER
 - Produktionsdatum
PRODUCTION DATE
 - Anlieferzustand: 2. Kontaktsicherung geöffnet
DELIVERY CONDITION: RETAINER IN OPEN POSITION
 - Verpackung: Schuetztgut im Beutel im Karton
PACKAGING: LOOSE PIECES IN BAG IN BOX



CODE	PART No.	REV.	DESCRIPTION	MATERIAL	WEIGHT [g]	COLOR similar RAL
Z	0-2305974-9	A	Dual-Port MATenet Frame, Code Z	PBT-GF10 0% regrind	1.5	water-blue 5021
J	0-2305974-7	A	Dual-Port MATenet Frame, Code J		1.5	beige 1004
C	0-2305974-3	A	Dual-Port MATenet Frame, Code C		1.5	blue 5012
B	0-2305974-2	A	Dual-Port MATenet Frame, Code B		1.5	white 9010
A	0-2305974-1	A	Dual-Port MATenet Frame, Code A		1.5	black 9011

THIS DRAWING IS A CONTROLLED DOCUMENT.

DIMENSIONS: MASSENHEITEN: mm

TOLERANCES UNLESS OTHERWISE SPECIFIED: ALLGEMEINTOLERANZEN

0 PLC	±0.2
1 PLC	±0.1
2 PLC	±0.1
3 PLC	±0.1
4 PLC	±0.1
ANGLES/WINKEL	±0.1
FINISH/SHREIFLÄCHE-FARBE	±0.1

MATERIAL: SEE TABLE

WEIGHT: see table

CUSTOMER DRAWING

DWN: J. KIESSWITZER
CHK: R. WUERKER

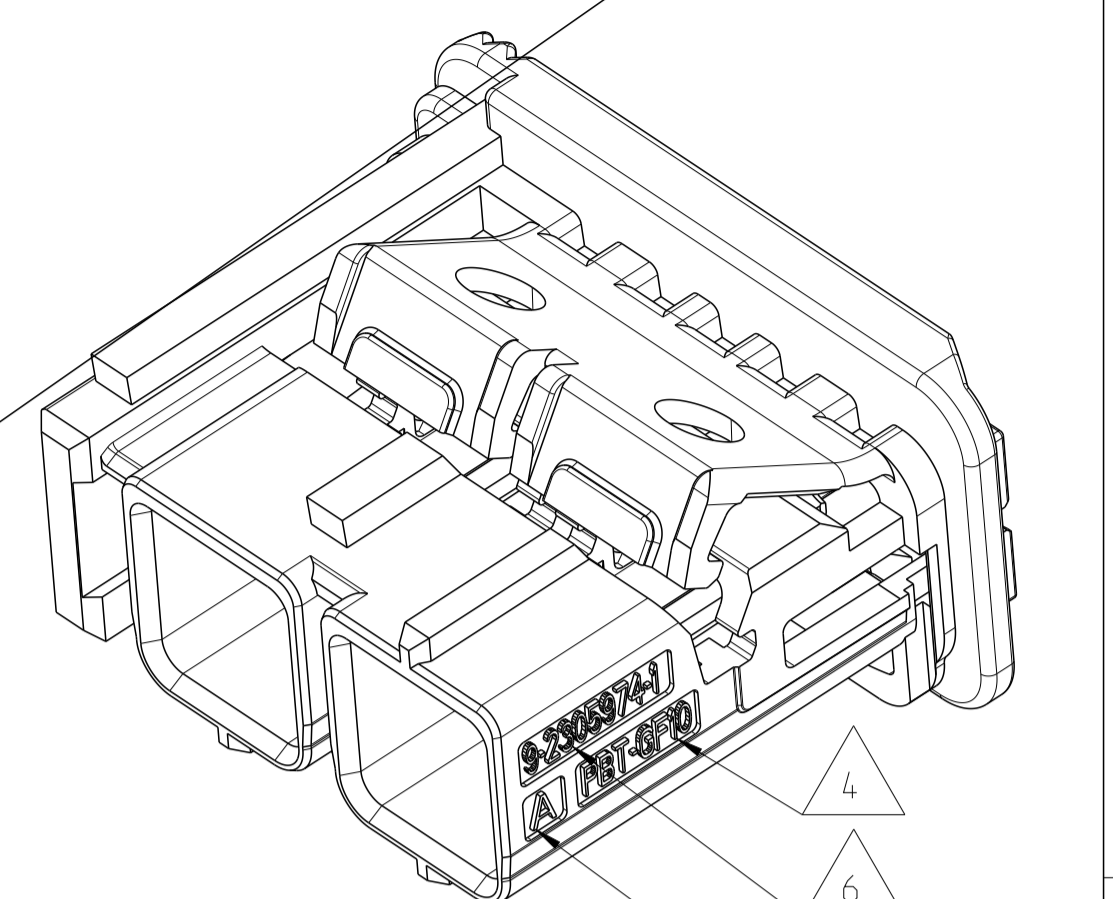
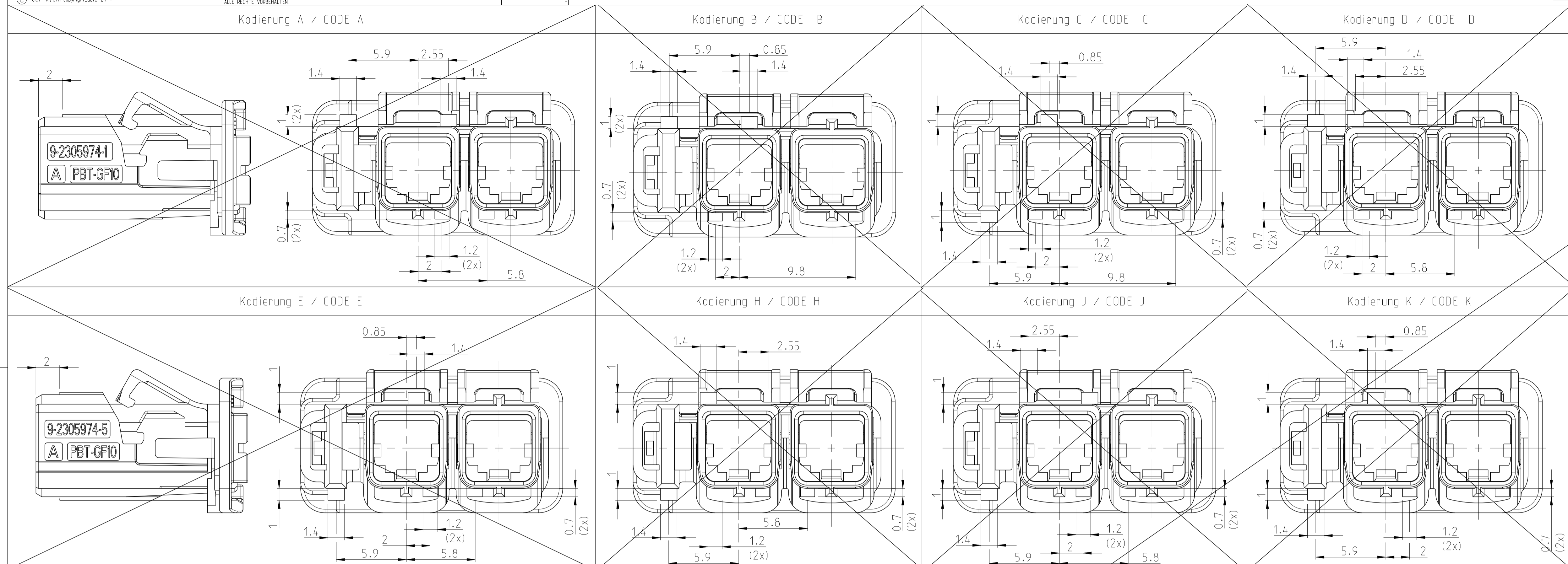
DATE: 13AUG2016
REV: 13OCT2016

NAME: Dual-Port MATenet Frame
DUAL-PORT MATenet FRAME

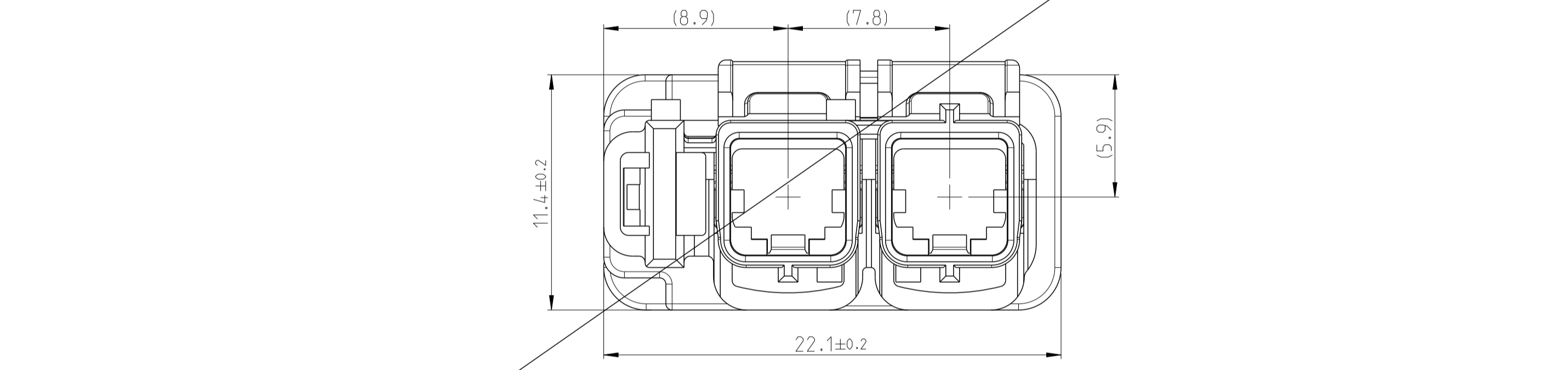
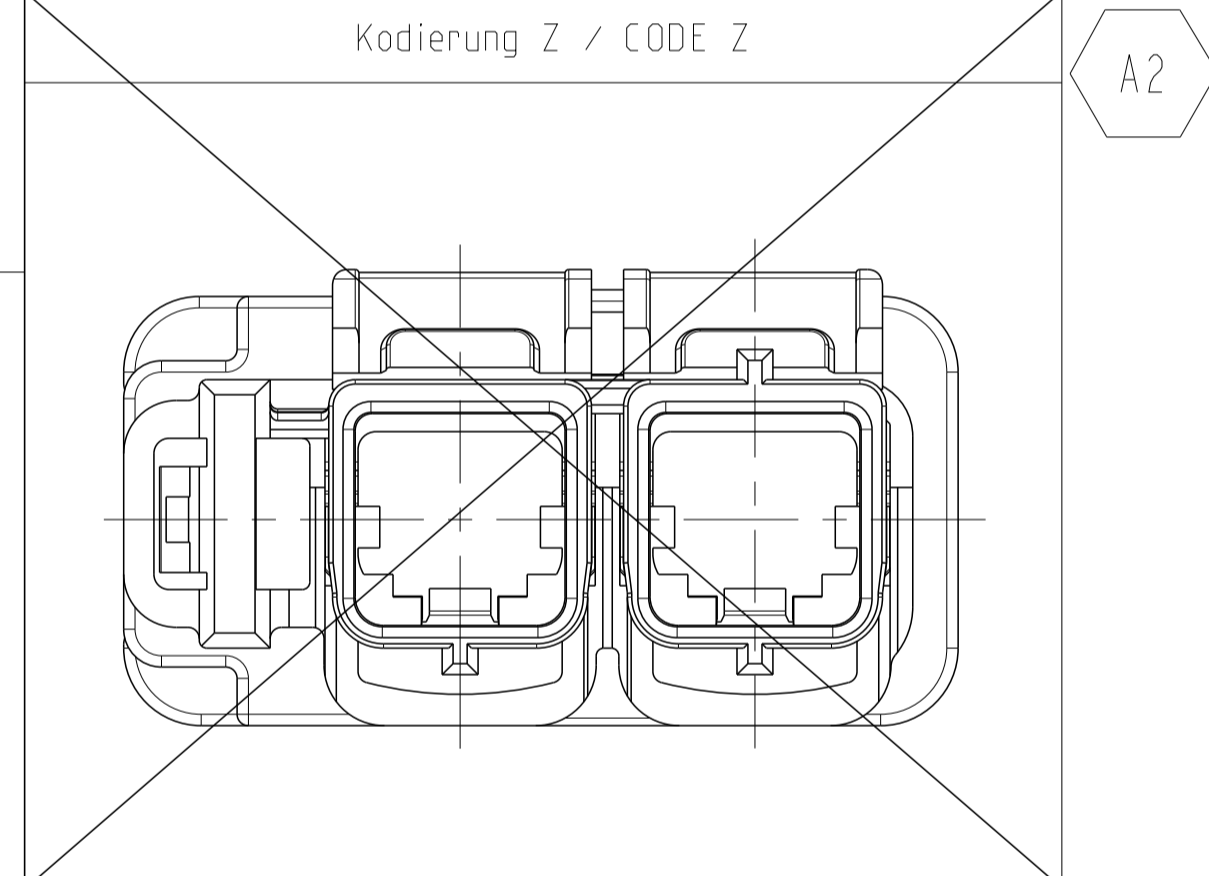
SIZE: A1
CAGE CODE: 00779
DRAWING NO: 0-2305974

RESTRICTED TO: NUR FÜR

SCALE: MASSSTAB 5:1
SHEET: 1 OF 2
REV: A2



- Notizen / NOTES
- 9-2305974-1 Kodierung A wie dargestellt
 9-2305974-1 CODING A AS SHOWN
 - Passend zu Stiftwanne nach
 TE-Schnittstellenzeichnung 208-18012
 MATING TO PINHEADER ACC.
 TE-INTERFACE DRAWING 208-18012
 - Kammer fuer MATenet 2Pos. NanoMQS female Insert module
 TE PN 9-2302450-X
 CAVITY FOR MATenet 2Pos. NanoMQS FEMALE INSERT MODULE
 TE PN 9-2302450-X
 - Materialkennzeichnung
 MATERIAL MARKING
 - TE-Logo
 TE-LOGO
 - TE-Teile Nummer
 TE-Part Number
 - Revisionsstand
 PART REVISION
 - Kontaktkammernummer
 CONTACT CAVITY NUMBER
 - Produktionsdatum
 PRODUKTION DATE
 - Anlieferzustand: 2. Kontaktsicherung geöffnet
 DELIVERY CONDITION: RETAINER IN OPEN POSITION
 - Verpackung: Schuetttgut im Beutel im Karton
 PACKAGING: LOOSE PIECES IN BAG IN BOX

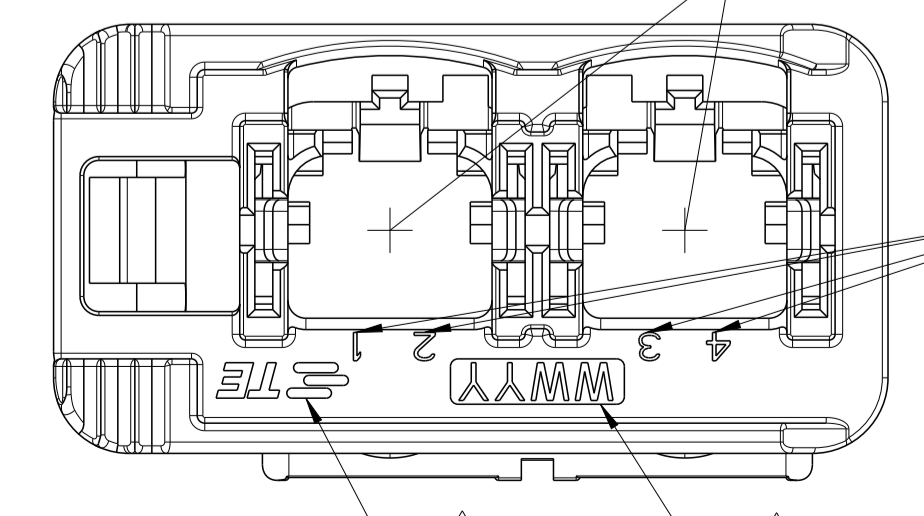
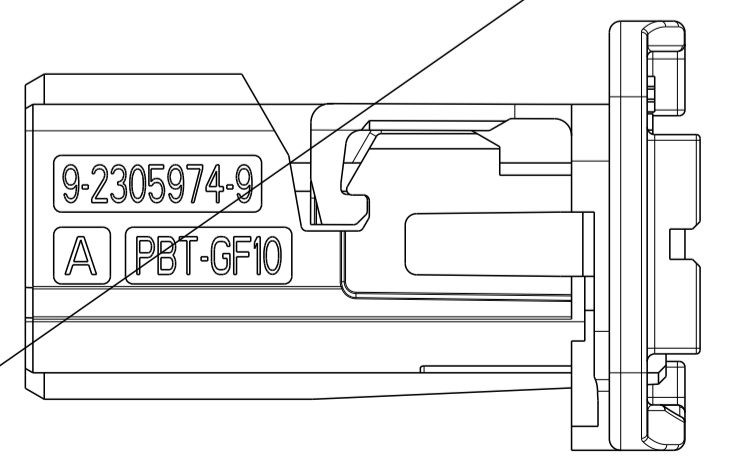


B-MUSTER PROTOTYPE B-SAMPLE

CODE	PART No.	REV.	DESCRIPTION	MATERIAL	WEIGHT [g]	COLOUR similar RAL
Z	9-2305974-9	A	Dual-Port MATenet Frame, Code Z	PBT-GF10 0% Re grind	1.3	water-blue 5021
K	9-2305974-8	A	Dual-Port MATenet Frame, Code K		1.3	curry yellow 1027
J	9-2305974-7	A	Dual-Port MATenet Frame, Code J		1.3	beige 1001
H	9-2305974-6	A	Dual-Port MATenet Frame, Code H		1.3	heather violet 4003
E	9-2305974-5	A	Dual-Port MATenet Frame, Code E		1.3	green 6018
D	9-2305974-4	A	Dual-Port MATenet Frame, Code D		1.3	claret violet 4004
C	9-2305974-3	A	Dual-Port MATenet Frame, Code C		1.3	blue 5012
B	9-2305974-2	A	Dual-Port MATenet Frame, Code B		1.3	white 9010
A	9-2305974-1	A	Dual-Port MATenet Frame, Code A		1.3	black 9011

OBSOLETE

2. Kontaktsicherung geschlossen
 RETAINER CLOSED



THIS DRAWING IS A CONTROLLED DOCUMENT.
 DIMENSIONING AND TOLERANCING PER GPS (ISO STANDARDS)

DIMENSIONS: MASSENHEITEN: mm

TOLERANCES UNLESS OTHERWISE SPECIFIED: ALLE DIMENSIONEN

0 PLC ±0.1
 1 PLC ±0.1
 2 PLC ±0.1
 3 PLC ±0.1
 4 PLC ±0.1
 ANGLES/WINKEL: ±0.1°
 FINISH/SCHLEIFLÄCHE-FARBE

MATERIAL: SEE TABLE

DATE: 23 AUG 2016
 DWG: J. KIESSWETTER
 APVD: R. WUERKER

NAME: Dual-Port MATenet Frame
 DUAL-PORT MATenet FRAME

SIZE: A1
 CAGE CODE: 00779
 DRAWING NO: 114-94431
 REV: 2305974

RESTRICTED TO NEW PUR

SCALE: 1:1
 SHEET: 2 OF 2
 REV: A2

TE Connectivity

X-ON Electronics

Largest Supplier of Electrical and Electronic Components

Click to view similar products for [Automotive Connectors](#) category:

Click to view products by [TE Connectivity](#) manufacturer:

Other Similar products are found below :

[003-018-000](#) [60403001](#) [60993906-B](#) [M902-2131](#) [M902-2161](#) [72.330.1035.1](#) [73.353.4028.0](#) [F119300-B](#) [F166900](#) [F258300-B](#) [F358300-B](#)
[F407400](#) [F444110](#) [F487000](#) [F509500B-B](#) [827153-1](#) [8N1515-32-24P](#) [9-1326729-8](#) [925474-1](#) [928905-1](#) [964562-4](#) [968782-1](#) [GT17SA-8DS-](#)
[HU](#) [98891-1012](#) [98947-1016](#) [12004147](#) [12004475-L](#) [12010290](#) [12010309-B](#) [12015454](#) [12020219-B](#) [12020308](#) [12041318-B](#) [12052225-L](#)
[12052466](#) [12059125](#) [12064869](#) [12004327-B](#) [12010503-B](#) [12015308](#) [12015384](#) [12015909](#) [1-21030-1](#) [12041254](#) [12041318](#) [12047946-B](#)
[12047957](#) [12047957-L](#) [12059473](#) [12066261](#)