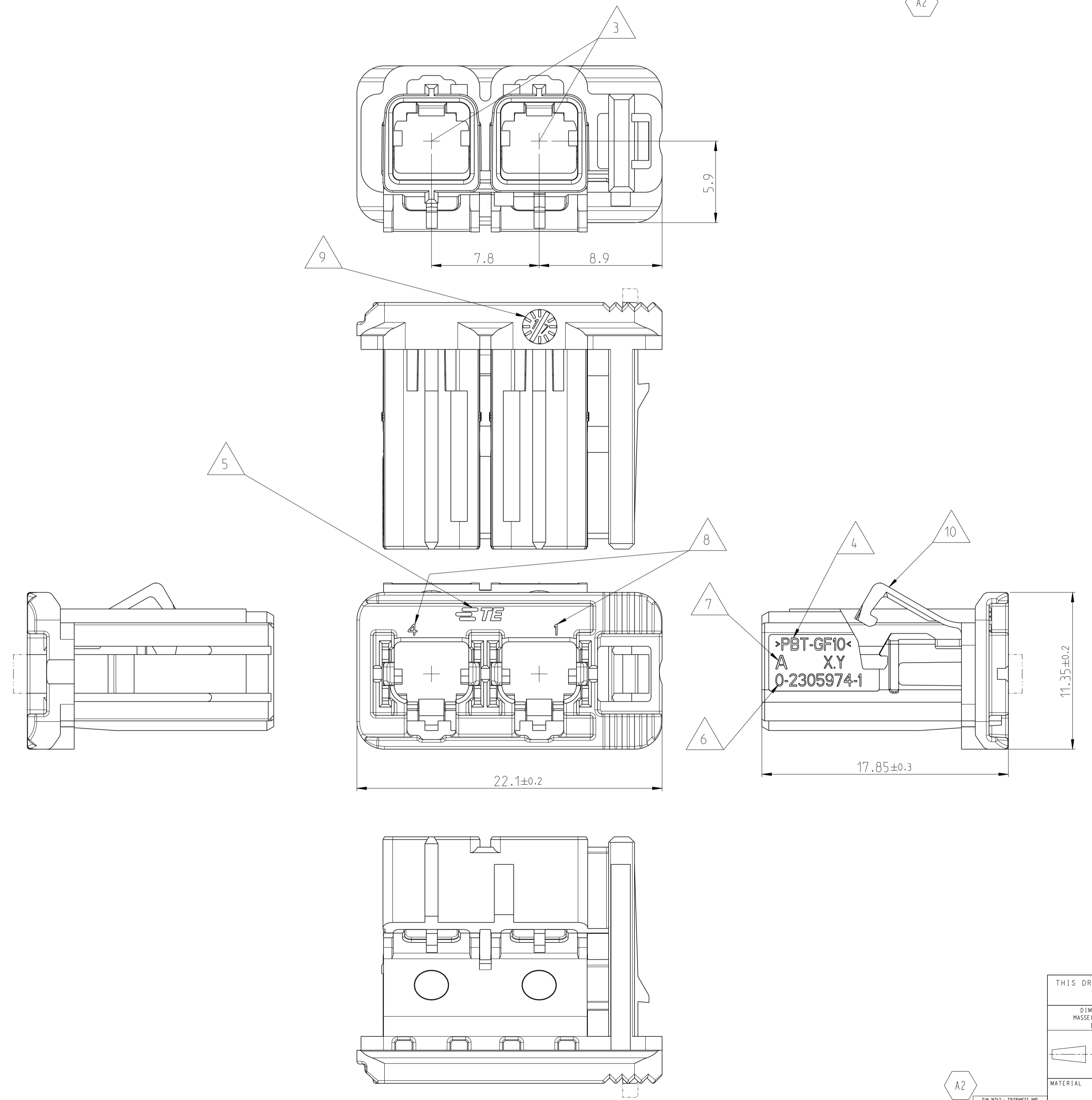
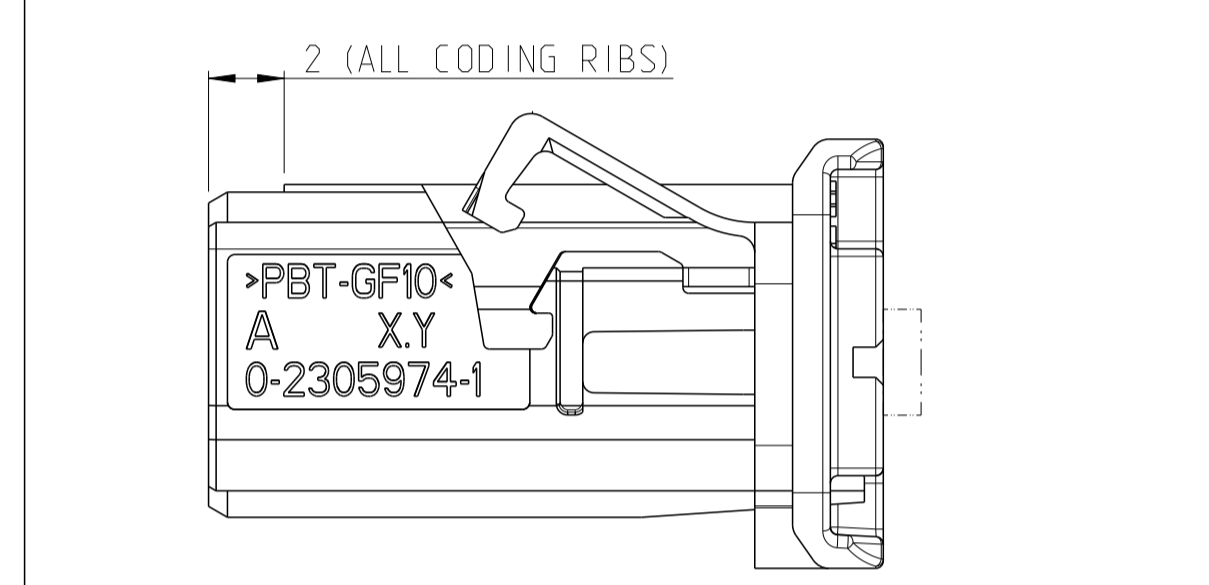
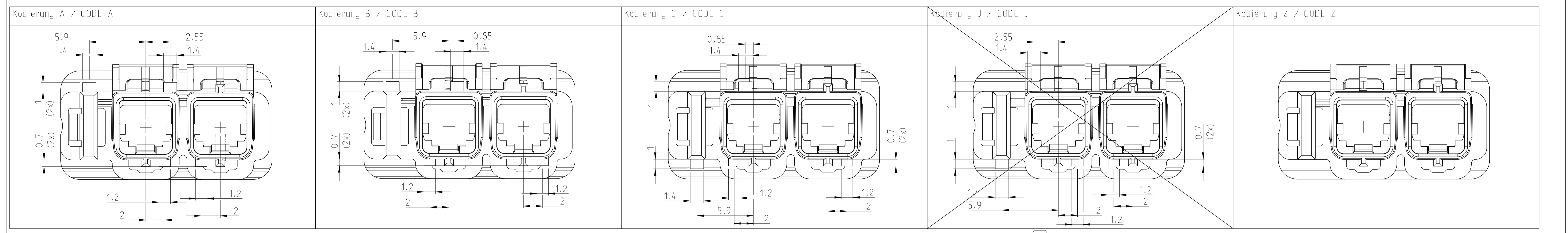
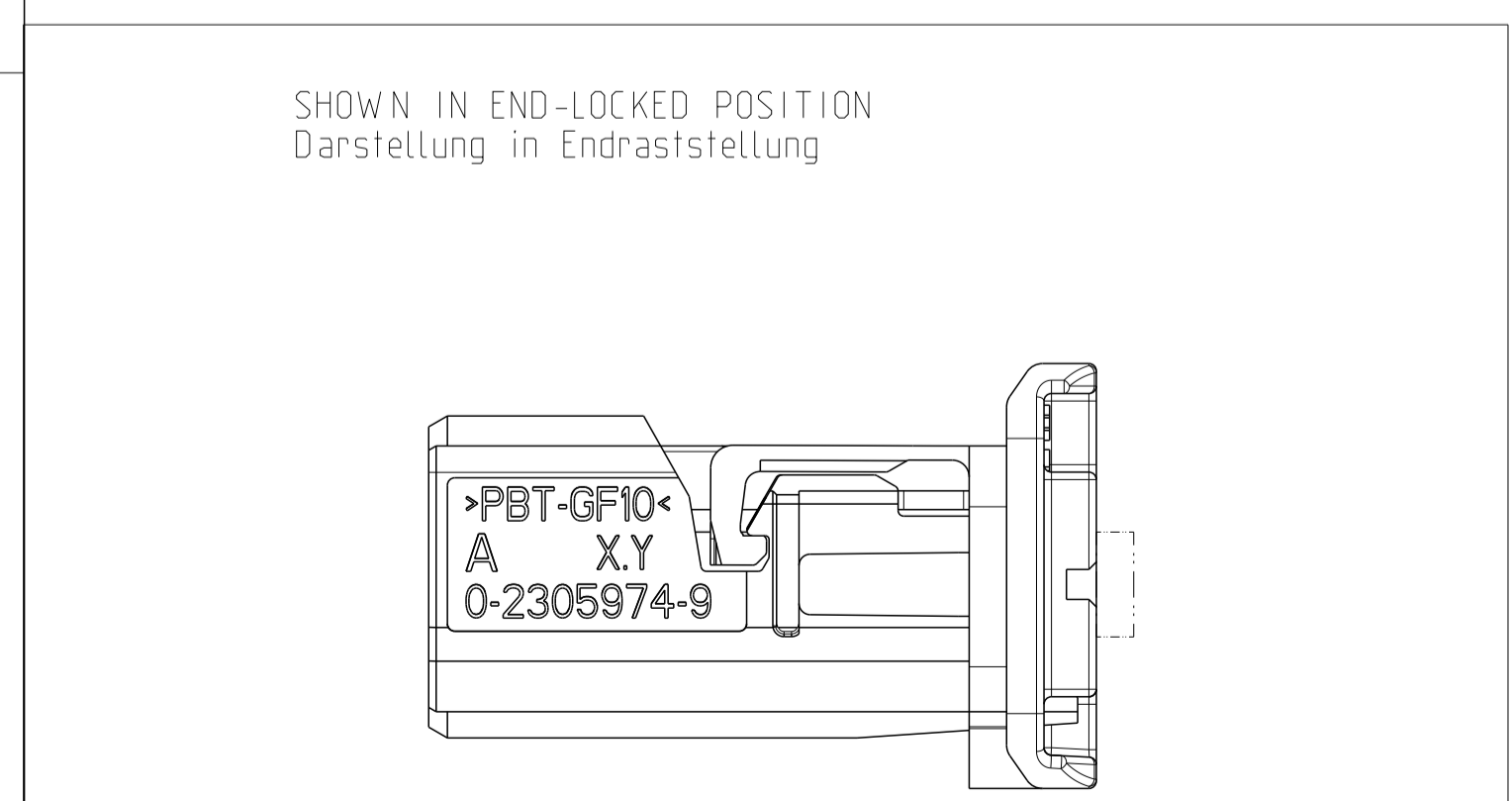


PROJEKT NR.:		REVISIONS ÄNDERUNGEN			
P	LTN	DESCRIPTION BESCHREIBUNG	DATE	OWN	APVD
A		NEW DRAWING	130C12016	KIJ	AK
A1		E-17-011935	17AUG2017	RW	AK
A2		E-19-014867	11NOV2019	FF	AK



- Notizen / NOTES
- 0-2305974-1 Kodierung A wie dargestellt  
0-2305974-1 CODING A AS SHOWN
  - Passend zu Stiftwanne nach  
TE-Schnittstellenzeichnung 208-18012  
MATING TO PINHEADER ACC.  
TE-INTERFACE DRAWING 208-18012
  - Kammer fuer MATenet 2Pos. NanoMQS female Insert module  
TE PN 0-2302450-X  
CAVITY FOR MATenet 2Pos. NanoMQS FEMALE INSERT MODULE  
TE PN 0-2302450-X
  - Materialkennzeichnung  
MATERIAL MARKING
  - TE-Logo  
TE-LOGO
  - TE-Teile Nummer  
TE-Part Number
  - Revisionsstand  
PART REVISION
  - Kontaktkammernummer  
CONTACT CAVITY NUMBER
  - Produktionsdatum  
PRODUCTION DATE
  - Anlieferungszustand: 2. Kontaktsicherung geöffnet  
DELIVERY CONDITION: RETAINER IN OPEN POSITION
  - Verpackung: Schuetztgut im Beutel im Karton  
PACKAGING: LOOSE PIECES IN BAG IN BOX



CODE	PART No.	REV.	DESCRIPTION	MATERIAL	WEIGHT [g]	COLOUR similar RAL
Z	0-2305974-9	A	Dual-Port MATenet Frame, Code Z	PBT-GF10 0% regrind	1.5	water-blue 5021
J	0-2305974-7	A	Dual-Port MATenet Frame, Code J		1.5	beige 1004
C	0-2305974-3	A	Dual-Port MATenet Frame, Code C		1.5	blue 5012
B	0-2305974-2	A	Dual-Port MATenet Frame, Code B		1.5	white 9010
A	0-2305974-1	A	Dual-Port MATenet Frame, Code A		1.5	black 9011

THIS DRAWING IS A CONTROLLED DOCUMENT. DWG: J.KIESSWITZER 23AUG2016  
 CHK: R. WUERKER 13OCT2016  
 APVD: A.KETTLER 14OCT2016

DIMENSIONS: MASSENHEITEN: mm  
 TOLERANCES UNLESS OTHERWISE SPECIFIED: ALLGEMEINTOLERANZEN  
 0 PLC ±0.2  
 1 PLC ±0.1  
 2 PLC ±0.1  
 3 PLC ±0.1  
 4 PLC ±  
 ANGLES/WINKEL: °  
 FINISH/SHREIFLÄCHE/FARBE: #

MATERIAL: SEE TABLE

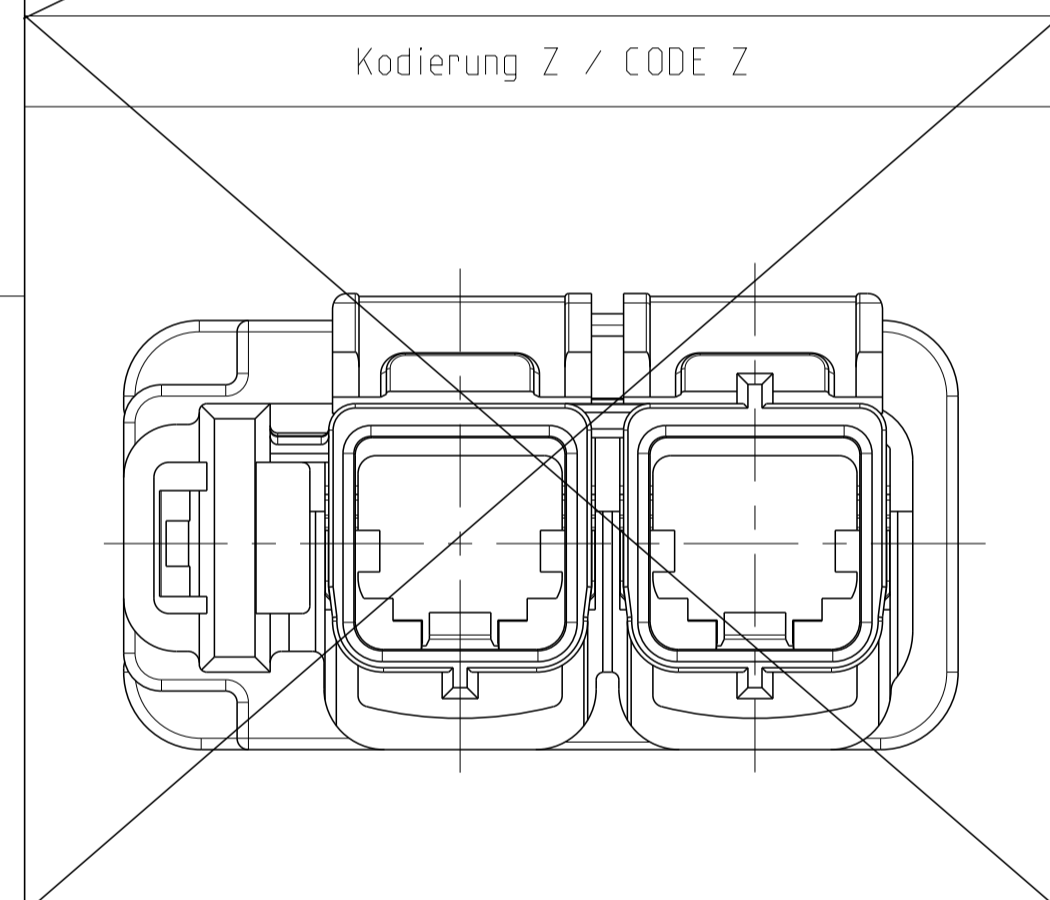
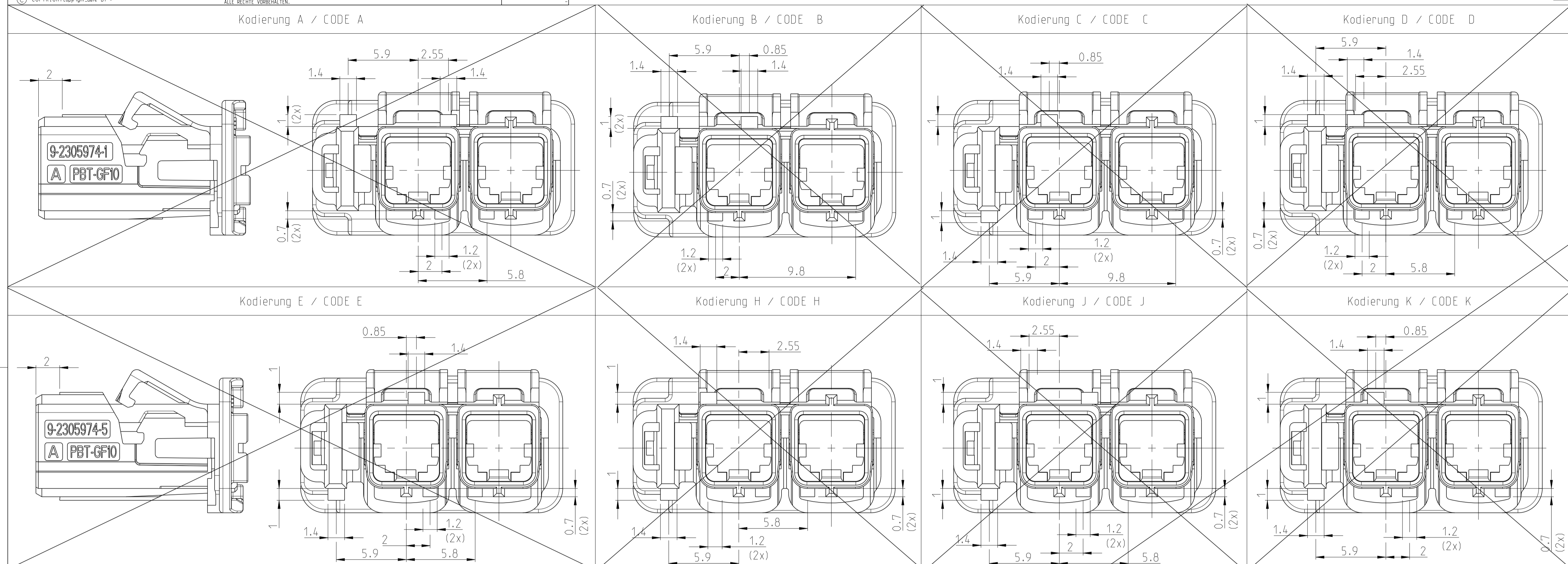
WEIGHT: see table  
 CUSTOMER DRAWING

NAME: Dual-Port MATenet Frame  
 DUAL-PORT MATenet FRAME

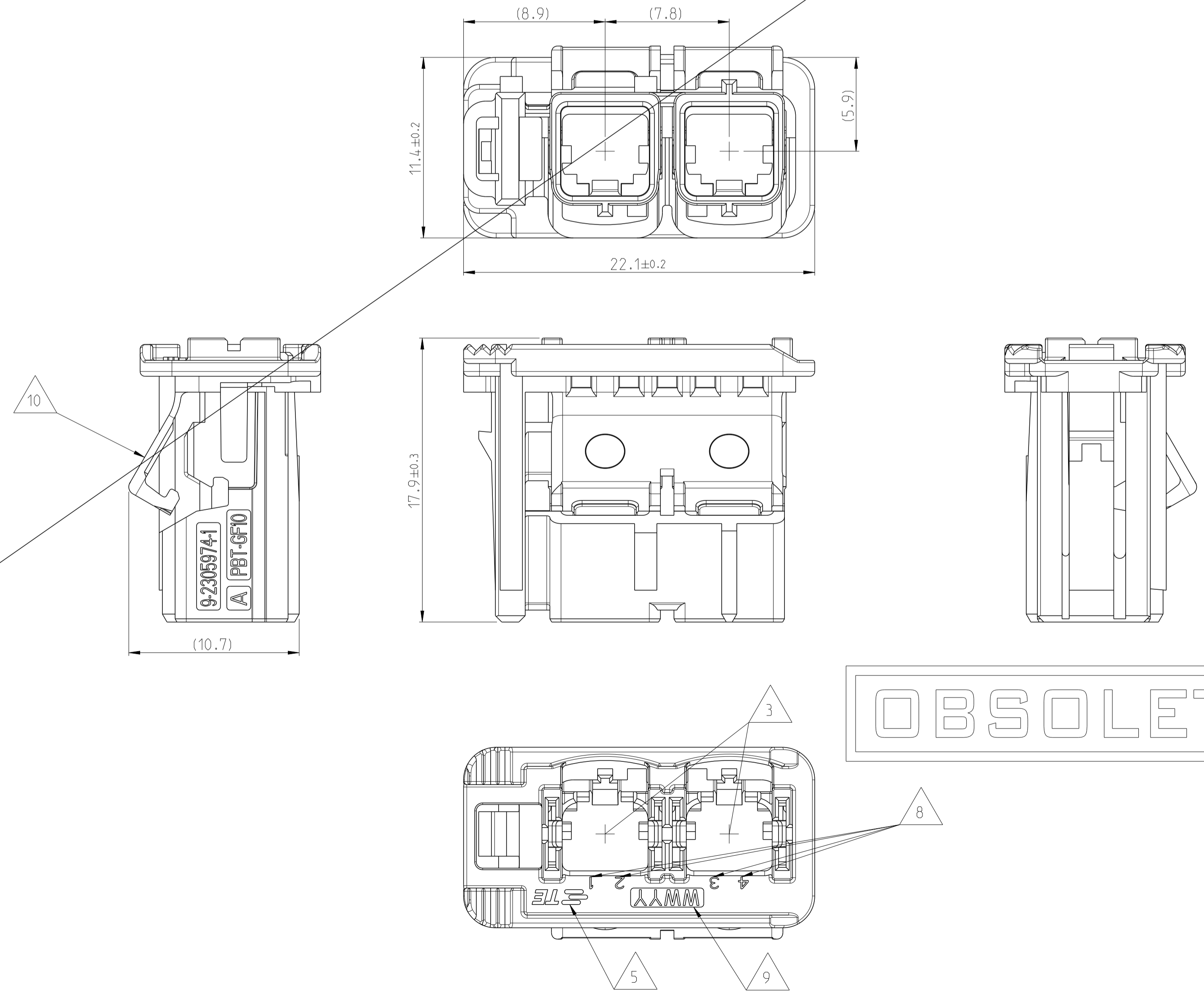
SIZE: A1  
 CAGE CODE: 00779  
 DRAWING NO: 2305974

RESTRICTED TO: NUR FÜR

SCALE: MASSSTAB 5:1  
 SHEET: BLATT 1 OF 2  
 REV: A2

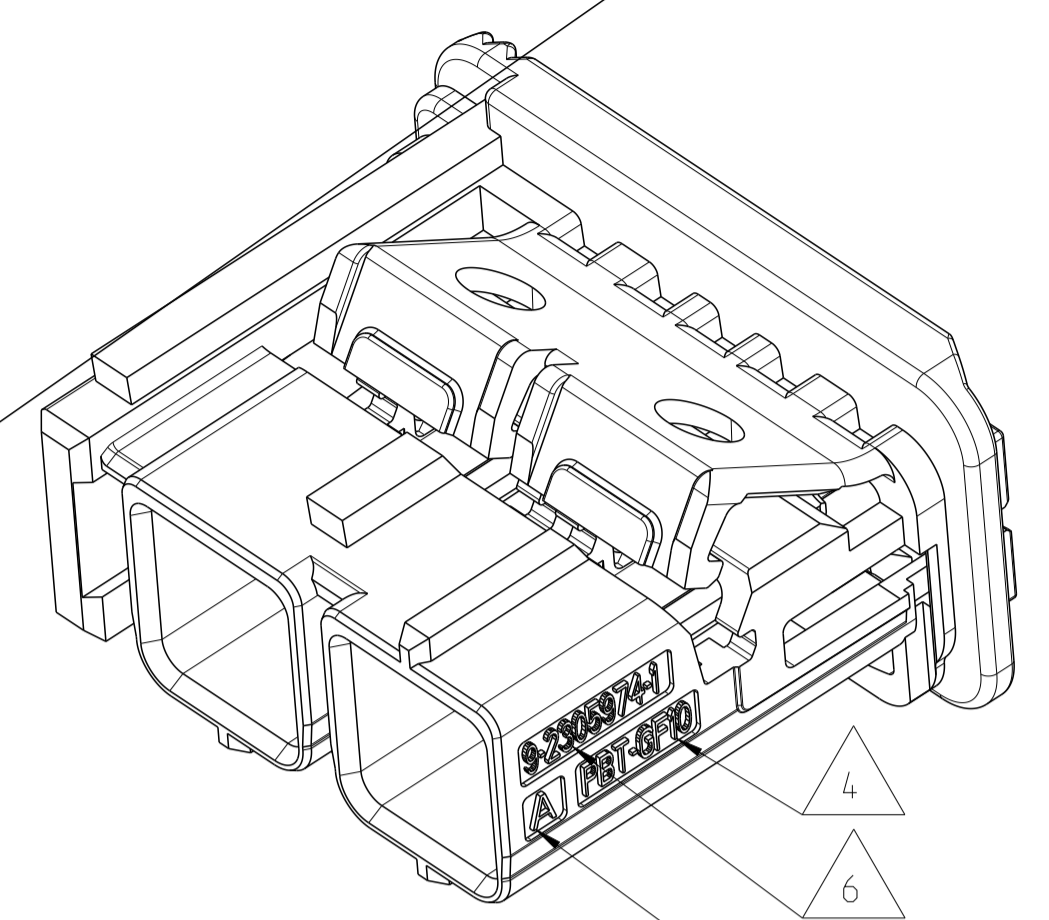


A2



2. Kontaktsicherung geschlossen  
 RETAINER CLOSED

**OBSOLETE**



- Notizen / NOTES
- 9-2305974-1 Kodierung A wie dargestellt  
 9-2305974-1 CODING A AS SHOWN
  - Passend zu Stiftwanne nach  
 TE-Schnittstellenzeichnung 208-18012  
 MATING TO PINHEADER ACC.  
 TE-INTERFACE DRAWING 208-18012
  - Kammer fuer MATenet 2Pos. NanoMQS female Insert module  
 TE PN 9-2302450-X  
 CAVITY FOR MATenet 2Pos. NanoMQS FEMALE INSERT MODULE  
 TE PN 9-2302450-X
  - Materiale Kennzeichnung  
 MATERIAL MARKING
  - TE-Logo  
 TE-LOGO
  - TE-Teile Nummer  
 TE-Part Number
  - Revisionsstand  
 PART REVISION
  - Kontaktkammernummer  
 CONTACT CAVITY NUMBER
  - Produktionsdatum  
 PRODUKTION DATE
  - Anlieferzustand: 2. Kontaktsicherung geöffnet  
 DELIVERY CONDITION: RETAINER IN OPEN POSITION
  - Verpackung: Schuetztgut im Beutel im Karton  
 PACKAGING: LOOSE PIECES IN BAG IN BOX

**B-MUSTER  
 PROTOTYPE B-SAMPLE**

CODE	PART No.	REV.	DESCRIPTION	MATERIAL	WEIGHT [g]	COLOUR similar RAL
Z	9-2305974-9	A	Dual-Port MATenet Frame, Code Z	PBT-GF10 0% Re grind	1.3	water-blue 5021
K	9-2305974-8	A	Dual-Port MATenet Frame, Code K		1.3	curry yellow 1027
J	9-2305974-7	A	Dual-Port MATenet Frame, Code J		1.3	beige 1001
H	9-2305974-6	A	Dual-Port MATenet Frame, Code H		1.3	heather violet 4003
E	9-2305974-5	A	Dual-Port MATenet Frame, Code E		1.3	green 6018
D	9-2305974-4	A	Dual-Port MATenet Frame, Code D		1.3	claret violet 4004
C	9-2305974-3	A	Dual-Port MATenet Frame, Code C		1.3	blue 5012
B	9-2305974-2	A	Dual-Port MATenet Frame, Code B		1.3	white 9010
A	9-2305974-1	A	Dual-Port MATenet Frame, Code A		1.3	black 9011

THIS DRAWING IS A CONTROLLED DOCUMENT.  
 DIMENSIONING AND TOLERANCING PER GPS (ISO STANDARDS)

DATE: 23 AUG 2016  
 DWG: J. KIESSWETTER  
 APVD: R. WUERKER

TE Connectivity

NAME: Dual-Port MATenet Frame  
 DUAL-PORT MATenet FRAME

SIZE: A1  
 CAGE CODE: 00779  
 DRAWING NO: 9-2305974

RESTRICTED TO NEW PUR

SCALE: 1:1  
 SHEET: 2 OF 2  
 REV: A2

## X-ON Electronics

Largest Supplier of Electrical and Electronic Components

*Click to view similar products for [Automotive Connectors](#) category:*

*Click to view products by [TE Connectivity](#) manufacturer:*

Other Similar products are found below :

[003-018-000](#) [60403001](#) [60993906-B](#) [M902-2131](#) [M902-2161](#) [72.330.1035.1](#) [73.353.4028.0](#) [F119300-B](#) [F166900](#) [F258300-B](#) [F358300-B](#)  
[F407400](#) [F444110](#) [F487000](#) [F509500B-B](#) [827153-1](#) [8N1515-32-24P](#) [9-1326729-8](#) [925474-1](#) [928905-1](#) [964562-4](#) [968782-1](#) [GT17SA-8DS-](#)  
[HU](#) [98891-1012](#) [98947-1016](#) [12004147](#) [12004475-L](#) [12010290](#) [12010309-B](#) [12015454](#) [12020219-B](#) [12020308](#) [12041318-B](#) [12052225-L](#)  
[12052466](#) [12059125](#) [12064869](#) [12004327-B](#) [12010503-B](#) [12015308](#) [12015384](#) [12015909](#) [1-21030-1](#) [12041254](#) [12041318](#) [12047946-B](#)  
[12047957](#) [12047957-L](#) [12059473](#) [12066261](#)