

LOC		DIST		REVISIONS			
P	LTN	DESCRIPTION	DATE	DMN	APVD		
A		RELEASED PER ECO 15-003244	3-3-15	CT	DH		

- ① HOUSING: LCP, UL94V0, COLOR: BLACK.  
CONTACT: PHOSPHOR BRONZE.  
POST: BRASS WIRE
- ② PAD CONTACT AREA: 1.27μm MIN GOLD  
PCB TAILS CONTACT: 1.27μm MIN TIN-LEAD OVER  
1.27μm MIN NICKEL OVER ALL  
POST: 1.27μm MIN NICKEL PLATED
- ③ PLATED THROUGH HOLE PER 114-13056, FIGURE 4
- ④ SEE TABLE 1 FOR INTERCONNECTIONS TO BACKPLANE CONNECTOR.
- 5. VITA 78.1 (POWER SUPPLY P1)

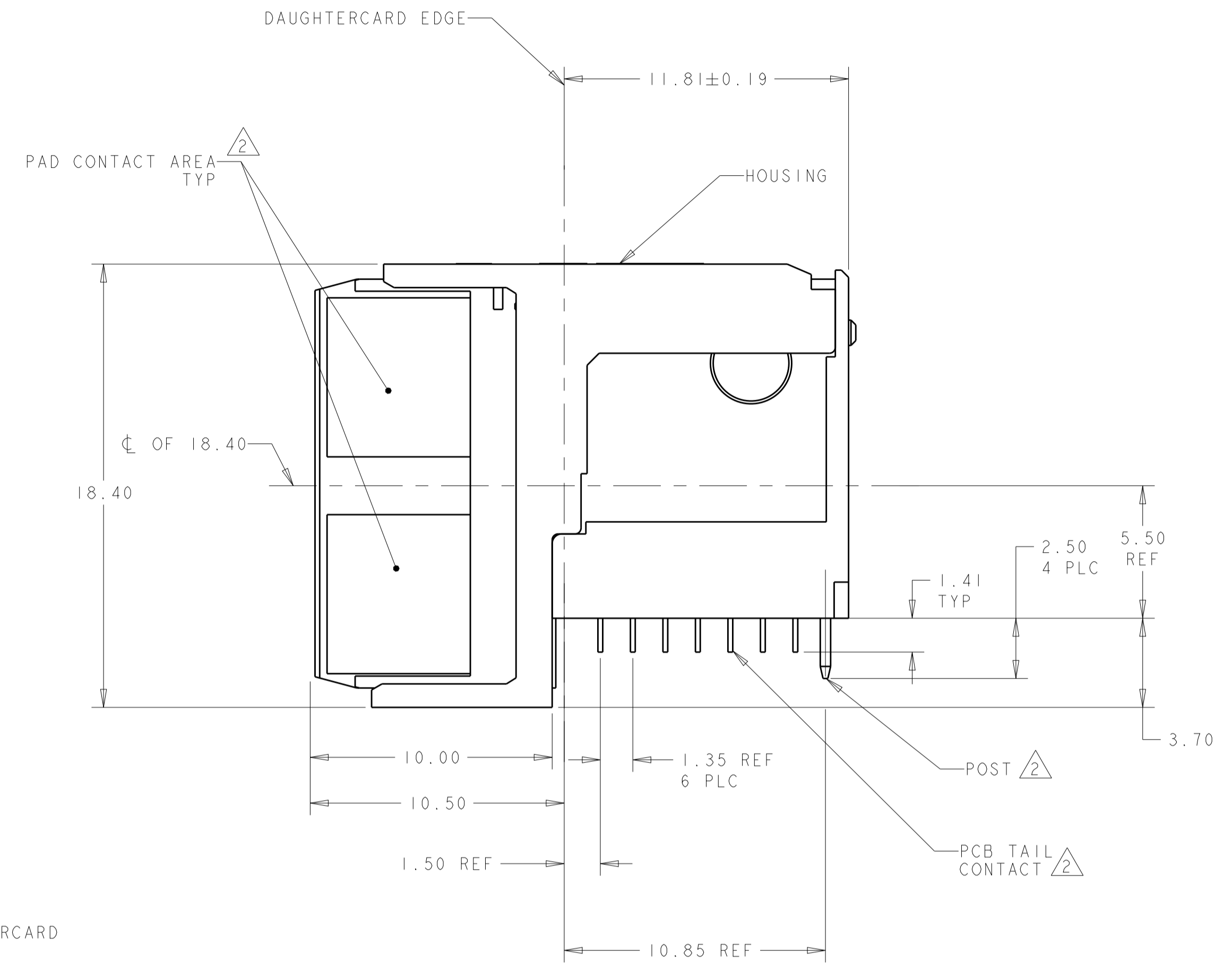
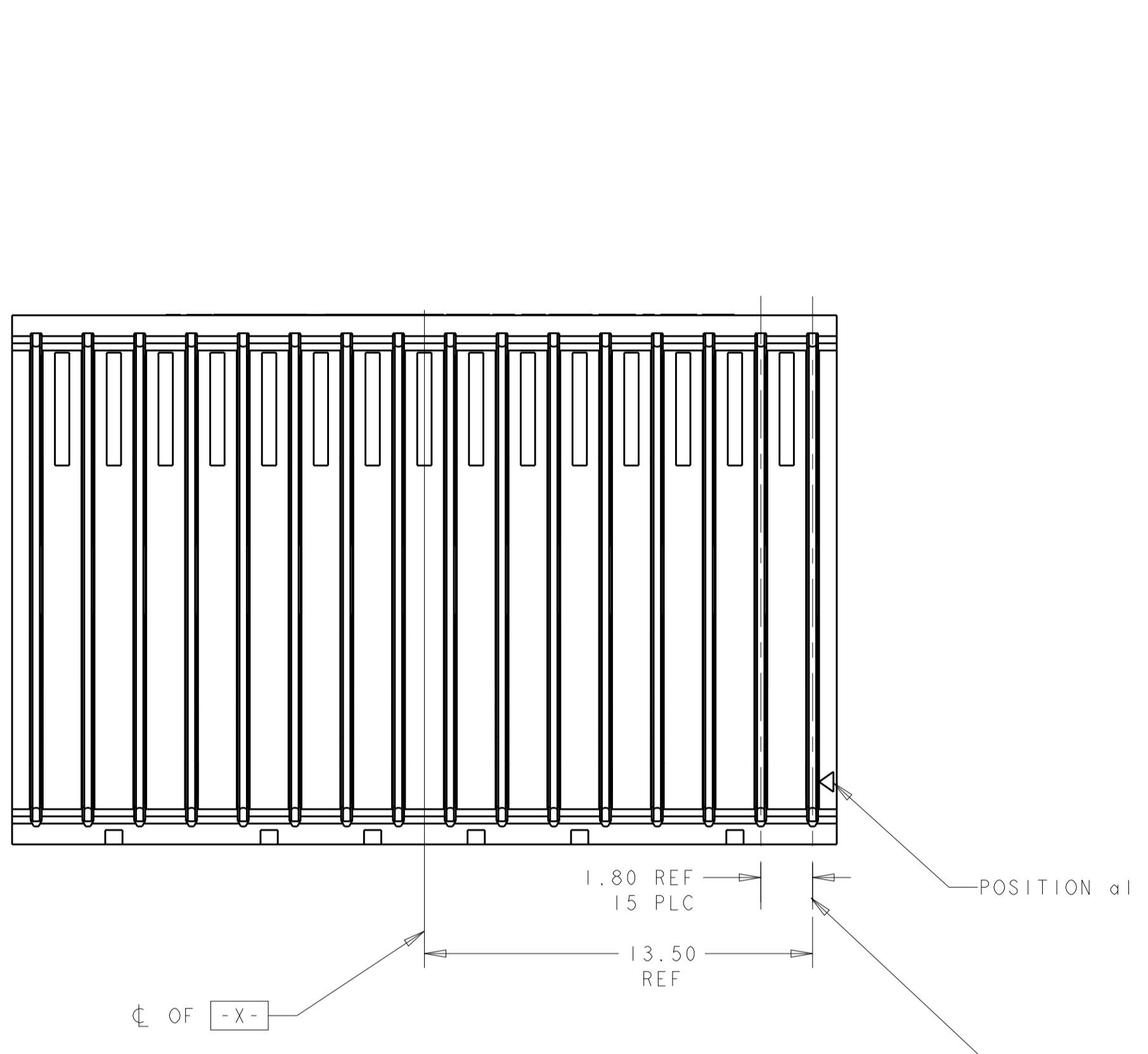


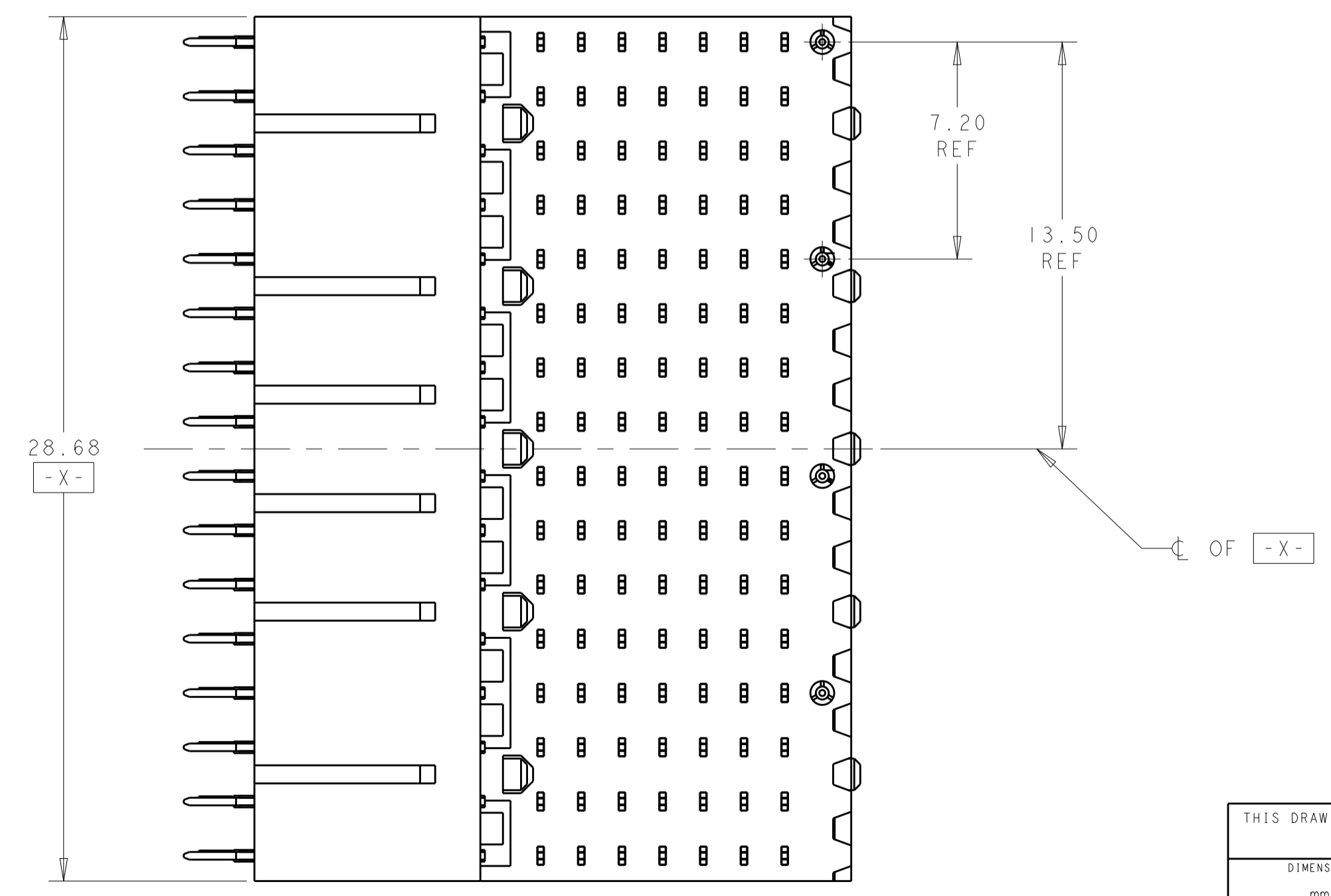
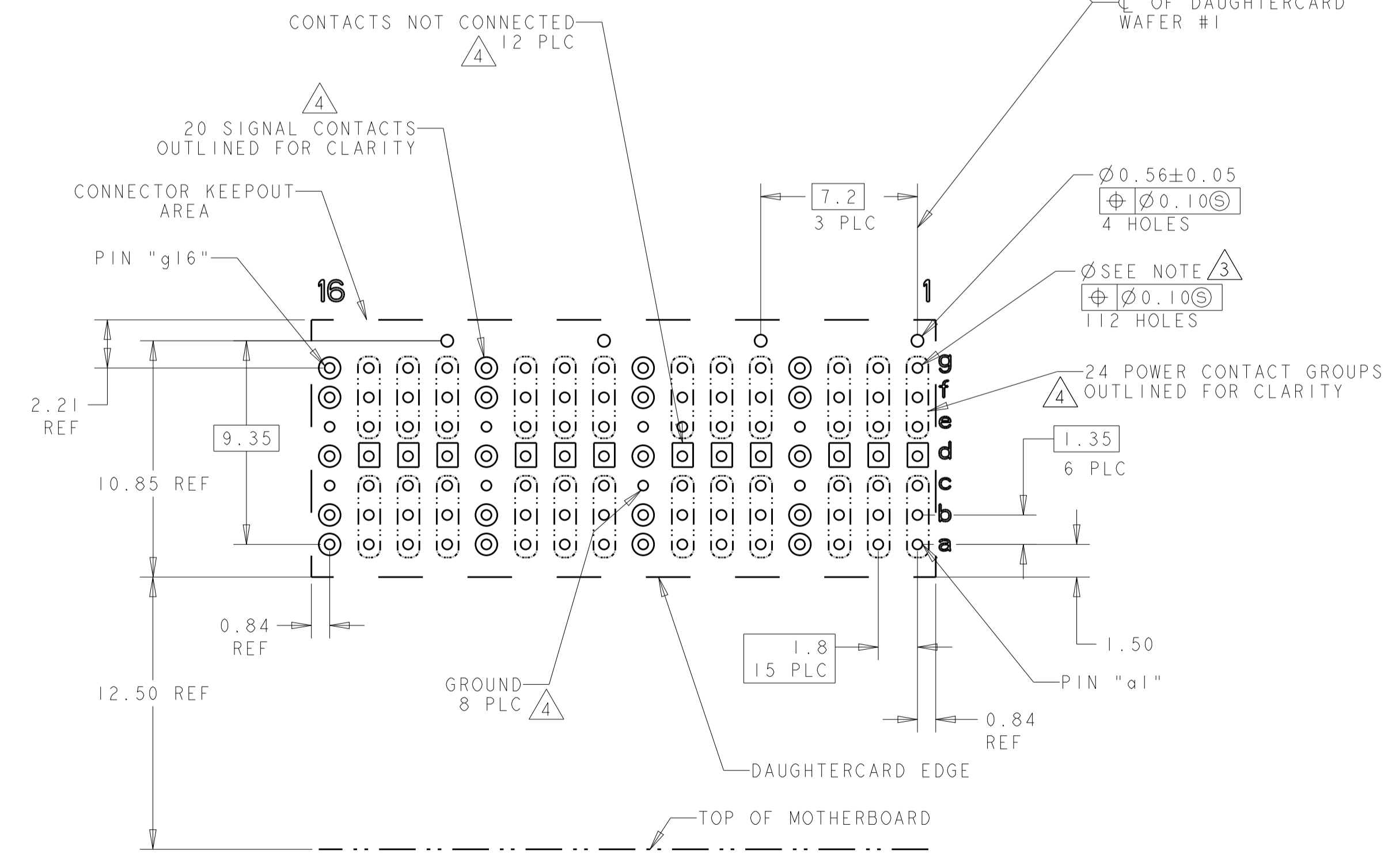
TABLE 1  
INTERCONNECTIONS WITH BACKPLANE CONNECTOR 2102736-1

TYPICAL INTERCONNECTION FOR EACH COLUMN (WAFER): 1, 2, 3, 5, 6, 7, 9, 10, 11, 13, 14, 15		
CONTACT USAGE	DAUGHTERCARD CONNECTOR PIN	BACKPLANE CONNECTOR PIN
POWER	ax, bx, cx	ax, bx, cx, dx
POWER	ex, fx, gx	fx, gx, hx, ix
Not Connect	dx	ex

TYPICAL INTERCONNECTIONS FOR EACH COLUMN (WAFER): 4, 8, 12 & 16		
CONTACT USAGE	DAUGHTERCARD CONNECTOR PIN	BACKPLANE CONNECTOR PIN
SIGNAL	ax	bx
SIGNAL	bx	cx
SIGNAL	dx	ex
SIGNAL	fx	gx
SIGNAL	gx	hx
GROUPS	cx, ex, (ALL COMMONED)	ax, dx, fx, ix

NOTE: "x" DESIGNATES THE COLUMN NUMBER



PC BOARD LAYOUT (CONNECTOR SIDE)  
SCALE 5:1

PLATING	2305986-1
PART NO	

THIS DRAWING IS A CONTROLLED DOCUMENT.

DIMENSIONS:	TOLERANCES UNLESS OTHERWISE SPECIFIED:	DMN: C.C. THOMAS 11-28-16	CHK: D. HOANG 11-28-16	APVD: D. HOANG 11-28-16
mm	0 PLC ± 1 PLC ±0.5 2 PLC ±0.13 3 PLC ± 4 PLC ± ANGLES ±1°	PRODUCT SPEC	108-2072	APPLICATION SPEC
MATERIAL	FINISH	SIZE	CAGE CODE	DRAWING NO
SEE TABLE		114-13056	10.33g	A100779C=2305986

Customer Drawing

SCALE 5:1 SHEET 1 OF 1 REV A

**STE** TE Connectivity

RIGHT-ANGLE PLUG ASSEMBLY, 7 ROW, 20.3mm, MULTIGIG RT 2-R, CENTER, DAUGHTERCARD CONNECTOR, VITA 78.1

## X-ON Electronics

Largest Supplier of Electrical and Electronic Components

*Click to view similar products for [High Speed/Modular Connectors](#) category:*

*Click to view products by [TE Connectivity](#) manufacturer:*

Other Similar products are found below :

[2332816-1](#) [89006-1137LF](#) [650827-1](#) [65762-001LF](#) [73474-201LF](#) [74040-1346](#) [74075-0267](#) [1410191-1](#) [1410337-1](#) [1410368-3](#) [1410964-2](#)  
[1410367-3](#) [1410971-4](#) [1467833-1](#) [2000877-1](#) [2000878-1](#) [2041314-1](#) [2065387-1](#) [2187307-1](#) [2187462-1](#) [2226278-6](#) [KA81-07](#) [91290-101LF](#)  
[163P](#) [1934290-1](#) [2000875-1](#) [2065917-1](#) [2102736-2](#) [FSR-40](#) [2169868-2](#) [2226279-2](#) [22354-8](#) [437-5040-000](#) [5-1393565-0](#) [532449-3](#) [532803-](#)  
[2](#) [34745-0001](#) [0736440217](#) [1-1393708-5](#) [72388-0021LF](#) [73774-1000](#) [740401386](#) [532939-1](#) [5-531355-3](#) [5532901-3](#) [85838-180LF](#)  
[HM1S43TRR460H6PLF](#) [0760205010](#) [1-966831-4](#) [3-1469268-7](#)