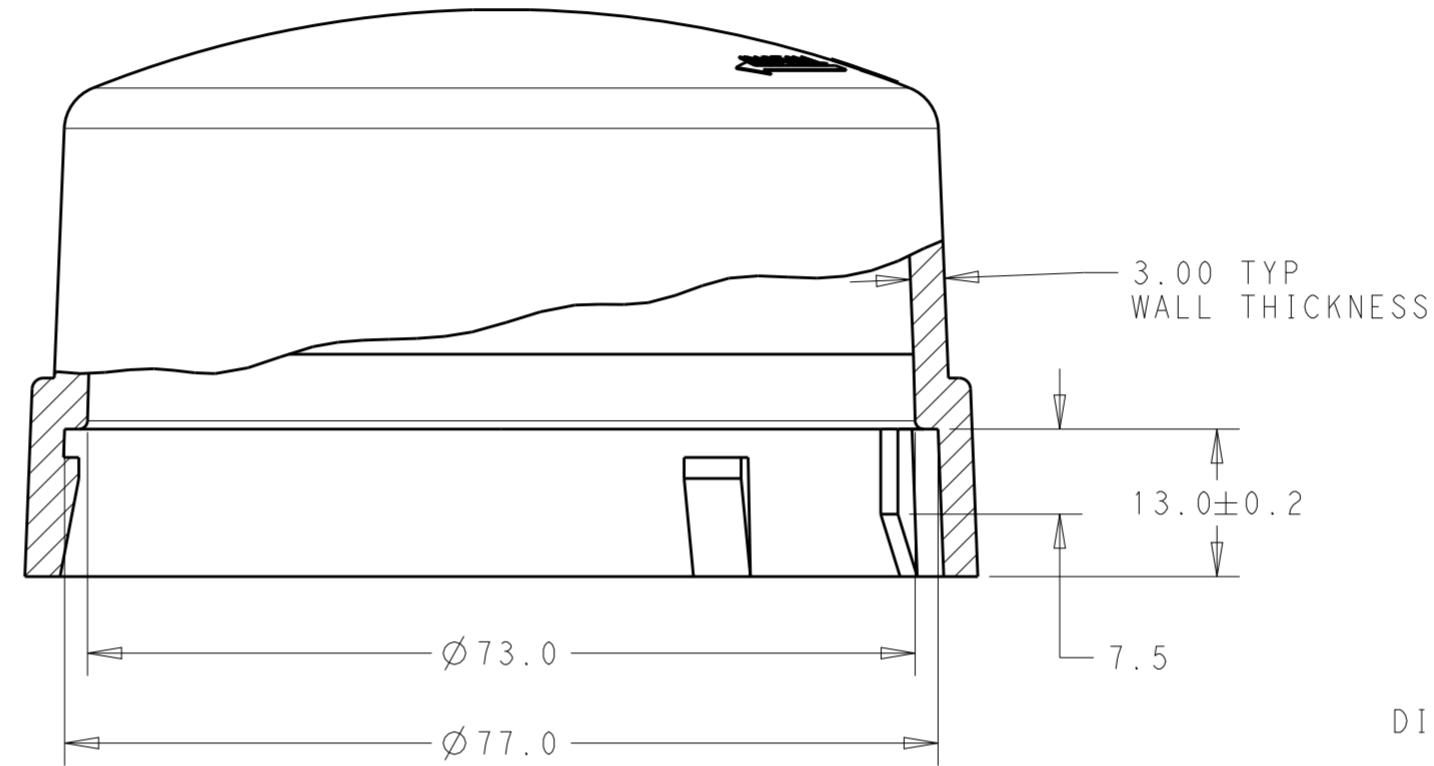
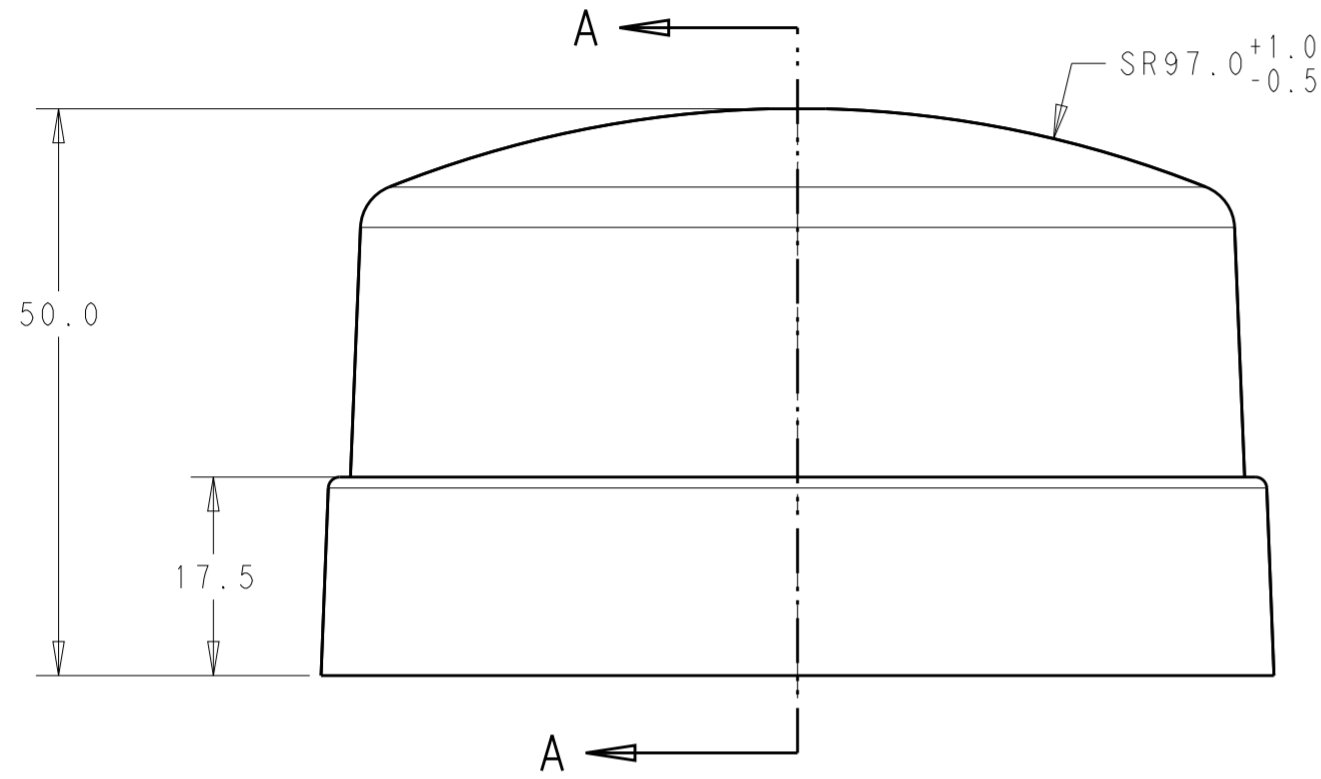


THIS DRAWING IS UNPUBLISHED. RELEASED FOR PUBLICATION 20
 © COPYRIGHT 20 BY - ALL RIGHTS RESERVED.

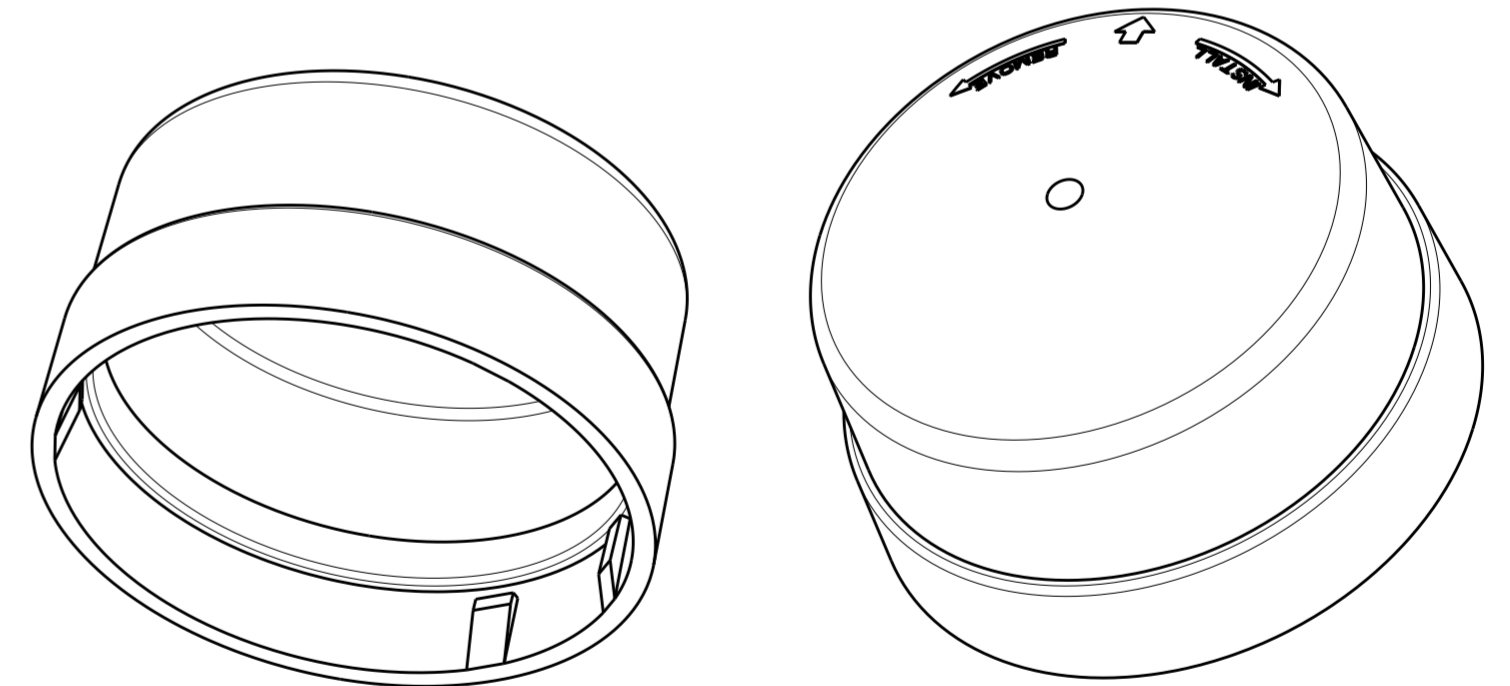
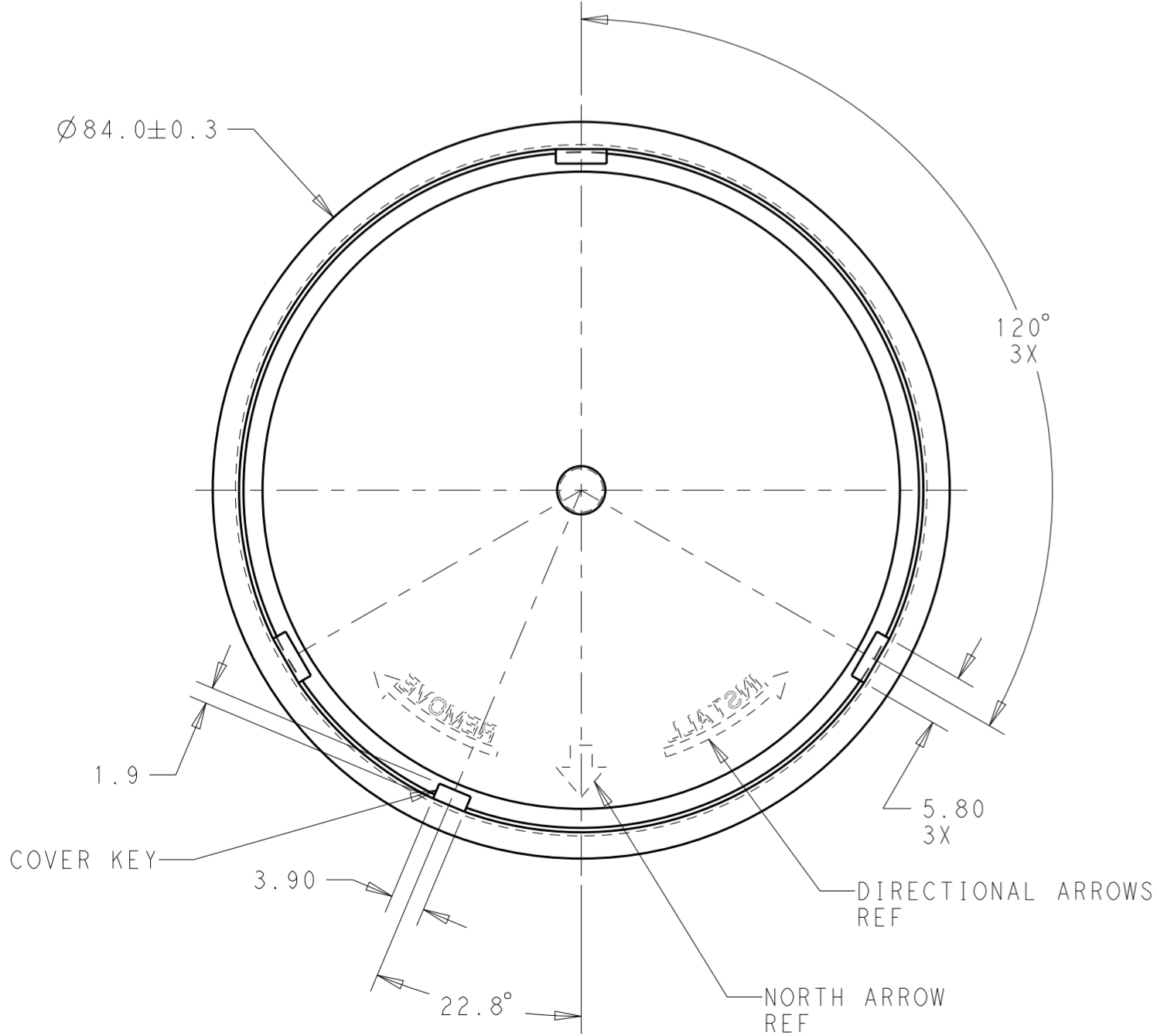
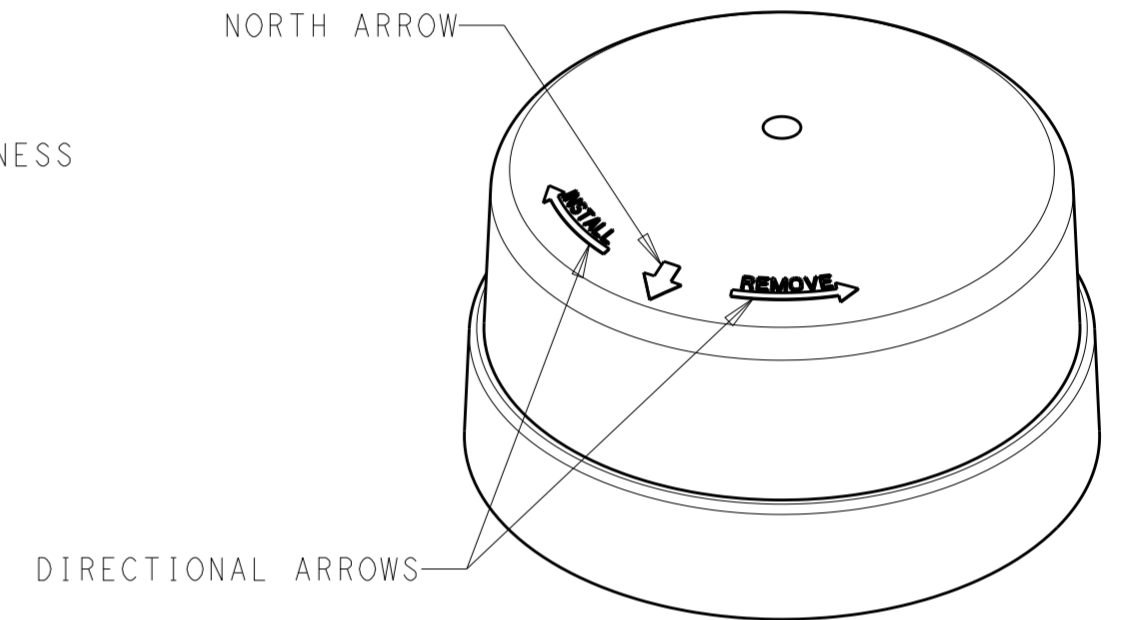
| REVISIONS | | | | | |
|-----------|-----|---------------------------|-----------|-----|------|
| P | LTR | DESCRIPTION | DATE | DWN | APVD |
| A | | REVISED PER ECO-17-010638 | 21JUL2017 | RK | DD |
| B | | REVISED PER ECR-19-010486 | 10JUL2019 | SR | DD |
| | | | | | |

NOTES:

- 1 MATERIALS:
 HOUSING: POLYCARBONATE, UV 5VA RATED
 COLOR: SEE TABLE
- 2 MATING BASE TE P/N: 2213730-X
- 3. THIS PRODUCT HAS NOT COMPLETED VALIDATION TESTING.



SECTION A-A



| | | |
|---------------------------|------------------------|-------------|
| 78% | TRANSPARENT CLEAR | 1-2306128-1 |
| 24% | TRANSPARENT SMOKE GRAY | 2306128-1 |
| APPROX LIGHT TRANSMISSION | | PART NO. |
| | | COLOR |

| | | | | |
|--|--|--|-----------------|--|
| THIS DRAWING IS A CONTROLLED DOCUMENT. | | DWN J. SHAEFFER 07JUL2016 | TE Connectivity | |
| | | CHK E. HOWARD 07JUL2016 | | |
| DIMENSIONS: mm | | TOLERANCES UNLESS OTHERWISE SPECIFIED: 0 PLC ± 1 PLC ±0.3 2 PLC ±0.25 3 PLC ± 4 PLC ± ANGLES ±3° FINISH | | NAME COVER, LIGHT CONTROLLER, SHORT, 76 DIA |
| MATERIAL - - | | PRODUCT SPEC 108-32125 APPLICATION SPEC 114-32159 WEIGHT - CUSTOMER DRAWING | SIZE A2 | RESTRICTED TO - SCALE 1:1 SHEET 1 OF 1 REV B |

X-ON Electronics

Largest Supplier of Electrical and Electronic Components

Click to view similar products for [LED Lighting Fixture Accessories](#) category:

Click to view products by [TE Connectivity](#) manufacturer:

Other Similar products are found below :

[XVBC081](#) [1-2315539-1](#) [2306129-1](#) [180997-0001](#) [1-2213996-1](#) [4821](#) [2702312](#) [MC39-1J-UNNU](#) [X48V](#) [XF088](#) [XG085](#) [XJ078](#) [XK075](#)
[XL073](#) [XN068](#) [XO065](#) [XP063](#) [XR058](#) [XQ060](#) [XH083](#) [XE090](#) [XS055](#) [XC095](#) [XT053](#) [XU050](#) [XV-TD](#) [4775](#) [5012](#) [5014](#) [LL01A00CSLB2](#)
[LL01A00CWGB2](#) [1301130007](#) [1301120097](#) [1301120099](#) [1301120101](#) [1301120114](#) [1301120153](#) [1301120154](#) [1301120157](#) [1301120174](#)
[1301120110](#) [1301120137](#) [1301120130](#) [1301860719](#) [1301120131](#) [1301120144](#) [1301120196](#) [1301850471](#) [2702313](#) [2702315](#)