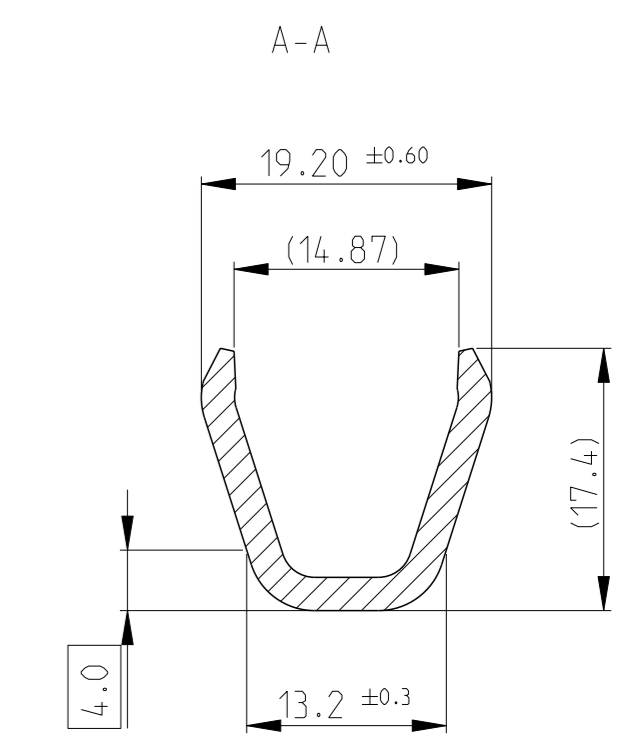
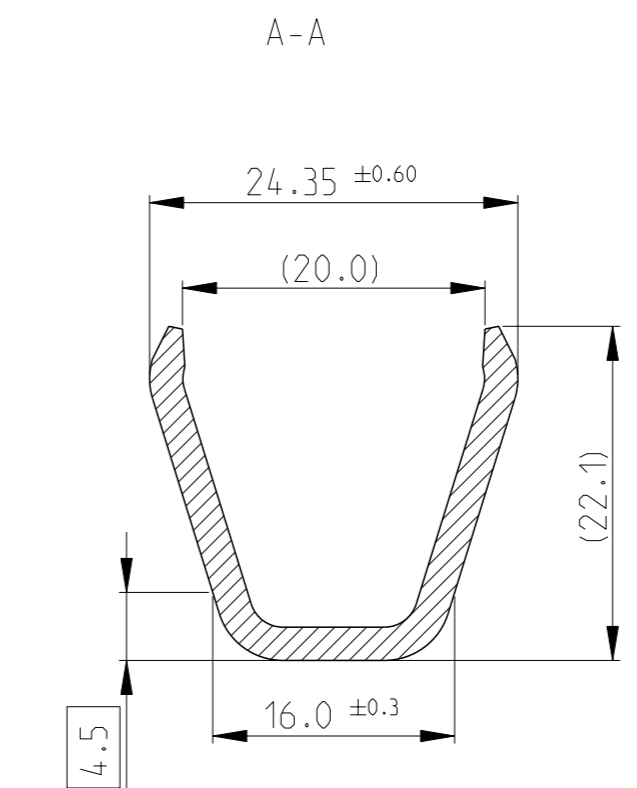
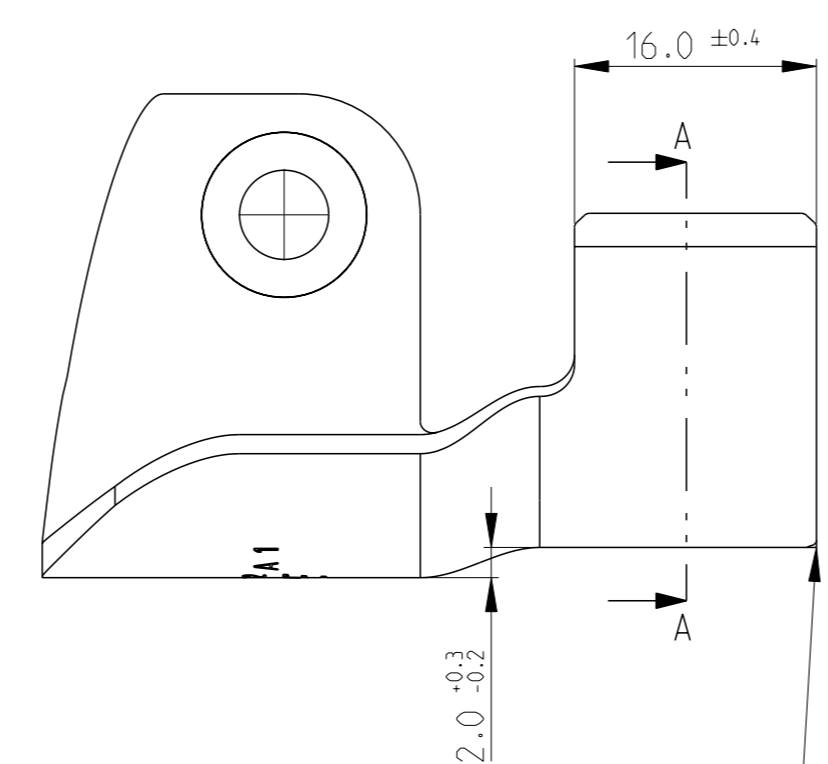
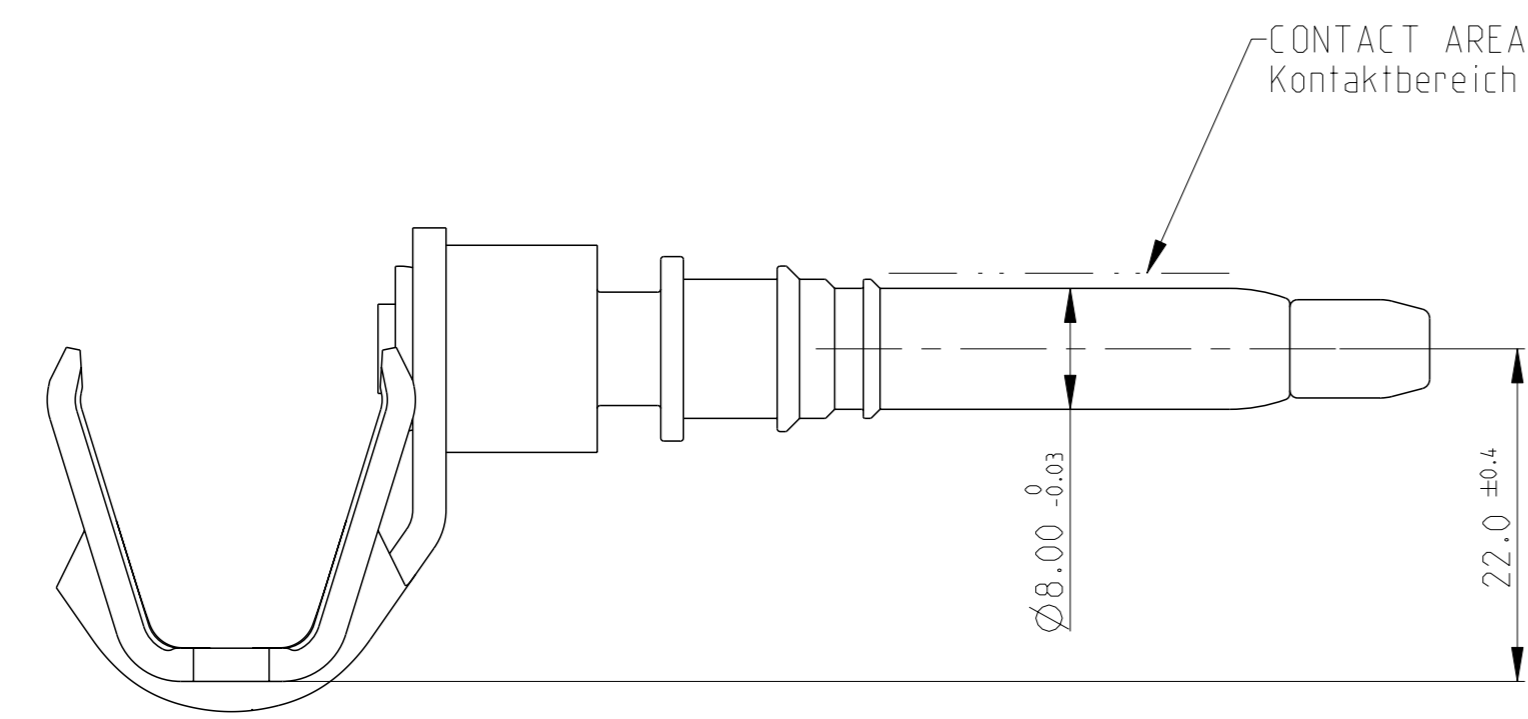
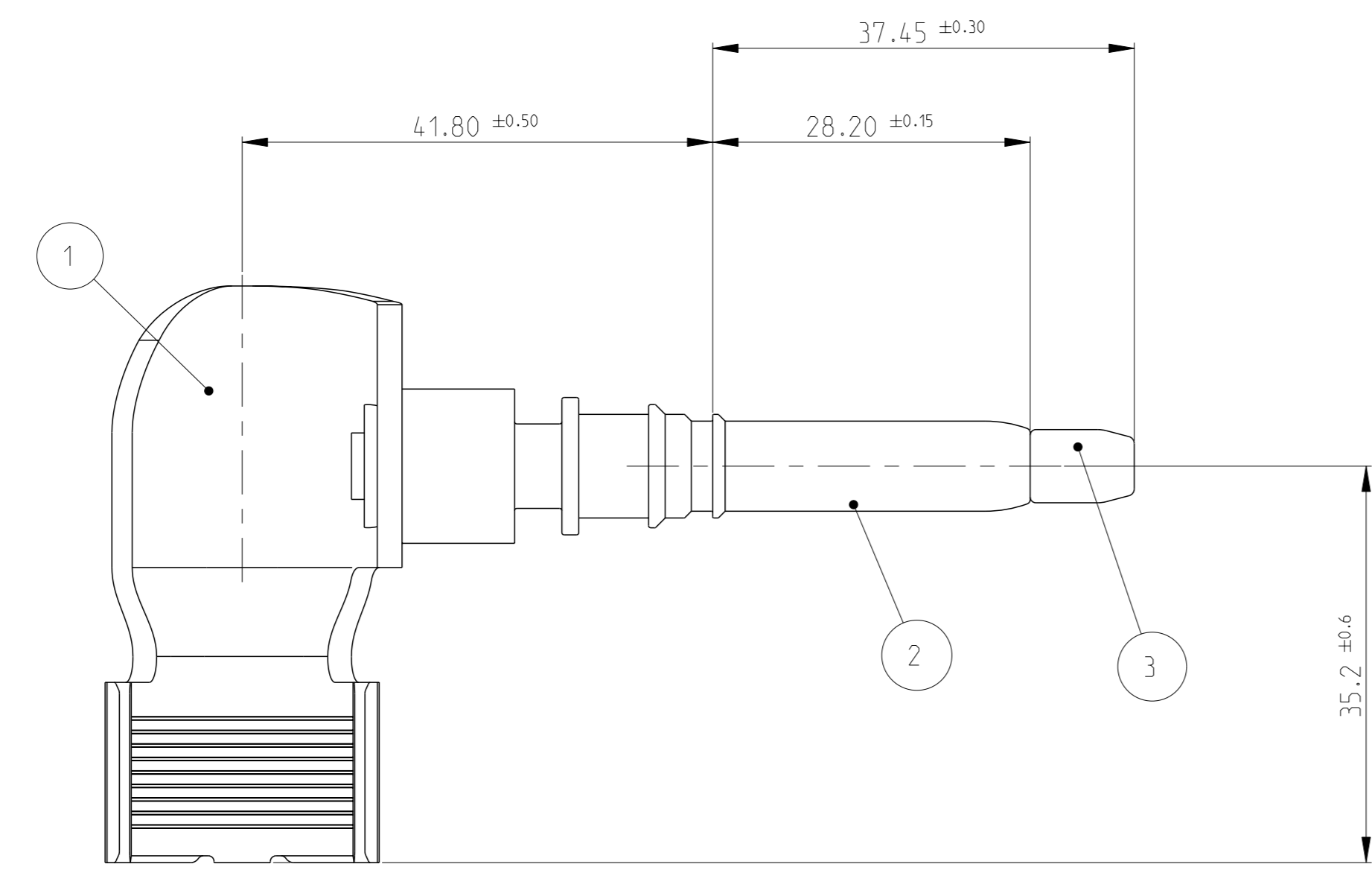
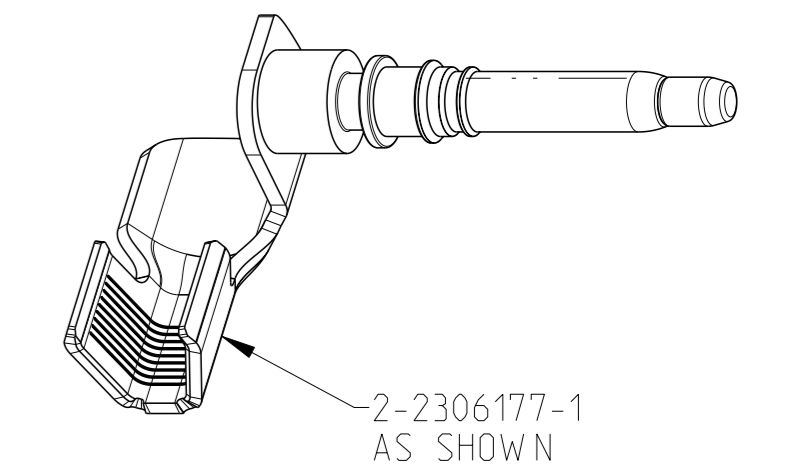
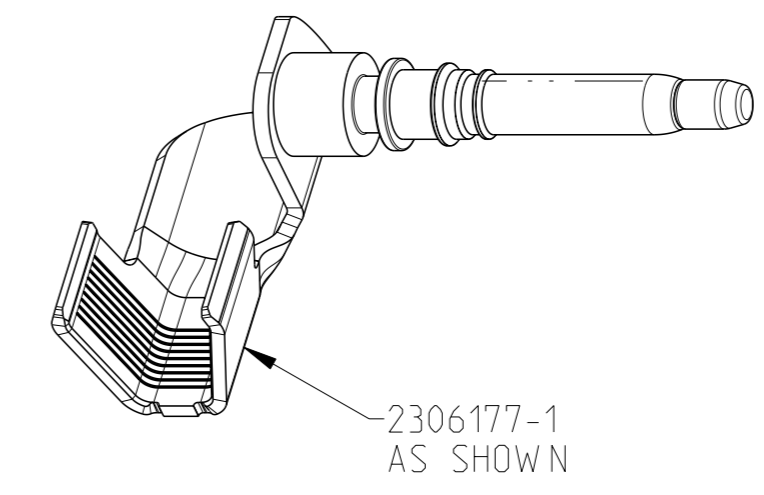


REVISIONS					
#	DATE	DESCRIPTION	DATE	OWN	APVD
A1	04 JUL 2022	ECR-22-144827		HK	SR



WIRE CRIMP DESIGN
 Drahtcrimp Ausfuehrung
 2306177-1
 MASSSTAB 1:1

WIRE CRIMP DESIGN
 Drahtcrimp Ausfuehrung
 2-2306177-1



MATERIAL	FINISH	DESCRIPTION	ITEM NO.	PACKAGING	WEIGHT IN [g]	WIRE RANGE	ASSEMBLY NO.	REV
PA66		PROTECTION CAP	3					
Cu	7-12 µm TENDUR	PIN	2					
Cu-ETP R220	pre 0.5-2.5 µm TIN PER 112-16-3 over 0.5-2 µm NICKEL PER 112-25-2	BODY	1				3-2306177-7 A1	A
PA66		PROTECTION CAP	3					
Cu	7-12 µm Ag AS PER 112-32-2 PASSIVATION AS PER 118-91	PIN	2					
Cu-ETP R220	pre 0.5-2.5 µm TIN PER 112-16-3 over 0.5-2 µm NICKEL PER 112-25-2	BODY	1			74	16-25 A1	A
PA66		PROTECTION CAP	3					
CuPb1P	2-8 µm Ag AS PER 112-32-2 PASSIVATION AS PER 118-91 BARREL PLATING ALL OVER	PIN	2					
Cu-ETP R220	pre 0.5-2.5 µm TIN PER 112-16-3 over 0.5-2 µm NICKEL PER 112-25-2	BODY	1				2-2306177-1	A
PA66		PROTECTION CAP	3					
Cu	7-12 µm TENDUR	PIN	2					
Cu-ETP R220	pre 0.5-2.5 µm TIN PER 112-16-3 over 0.5-2 µm NICKEL PER 112-25-2	BODY	1				1-2306177-7 A1	A
PA66		PROTECTION CAP	3					
Cu	7-12 µm Ag AS PER 112-32-2 PASSIVATION AS PER 118-91	PIN	2			82	50-70 A1	A
Cu-ETP R220	pre 0.5-2.5 µm TIN PER 112-16-3 over 0.5-2 µm NICKEL PER 112-25-2	BODY	1					
PA66		PROTECTION CAP	3					
CuPb1P	2-8 µm Ag AS PER 112-32-2 PASSIVATION AS PER 118-91 BARREL PLATING ALL OVER	PIN	2					
Cu-ETP R220	pre 0.5-2.5 µm TIN PER 112-16-3 over 0.5-2 µm NICKEL PER 112-25-2	BODY	1				2306177-1	A
MATERIAL	FINISH	DESCRIPTION	ITEM NO.	PACKAGING	WEIGHT IN [g]	WIRE RANGE	ASSEMBLY NO.	REV

THIS DRAWING IS A CONTROLLED DOCUMENT. OWN: H. Kraenzlein, 20DEC2017; CHK: S. Raab, 20DEC2017; APVD: M. Burghard, 20DEC2017.

STE TE Connectivity

NAME: PIN DIA 8.0 TERMINAL 90 DEG

PRODUCT SPEC: 108-94556

APPLICATION SPEC: 114-94436

SIZE: A1, CAGE CODE: 00779, DRAWING NO: 2306177, SHEET 1 OF 1, REV A1

CUSTOMER DRAWING

X-ON Electronics

Largest Supplier of Electrical and Electronic Components

Click to view similar products for [Terminals category](#):

Click to view products by [TE Connectivity manufacturer](#):

Other Similar products are found below :

[00-054007-01074-6](#) [00-054007-70206-1](#) [00-054007-70210-8](#) [00-054007-70217-7](#) [00-054007-70228-3](#) [00-054007-70256-6](#) [00-054007-70316-7](#) [00-054007-49560-4](#) [00-054007-70209-2](#) [00-054007-70231-3](#) [00-054007-70241-2](#) [00-054007-70242-9](#) [00-054007-70246-7](#) [00-054007-70263-4](#) [00-054007-70288-7](#) [00-054007-70290-0](#) [00-054007-70300-6](#) [00-054007-70304-4](#) [01-2900-1-04412](#) [00581P0075](#) [600TS-10](#) [605601-1](#) [60598-1-CUT-TAPE](#) [60617-1-C](#) [61314-6-C](#) [61810-3](#) [62149-1](#) [626-0194](#) [63-S](#) [M55155/059I03](#) [M55155/079C01](#) [M55155/099B03](#) [M55155/099H02](#) [M55155/109H01](#) [M55155/12XH05](#) [M55155/29-5S](#) [M55155/29XJ08](#) [M55155/30-6S](#) [M55155/30-9S](#) [M55155/30XI09](#) [M6-14RSX](#) [696683-1](#) [696861-1](#) [696999-1](#) [M86700006](#) [D18-110B-C](#) [D18-110B-M](#) [701-1936](#) [701-1955](#) [701-2003](#)