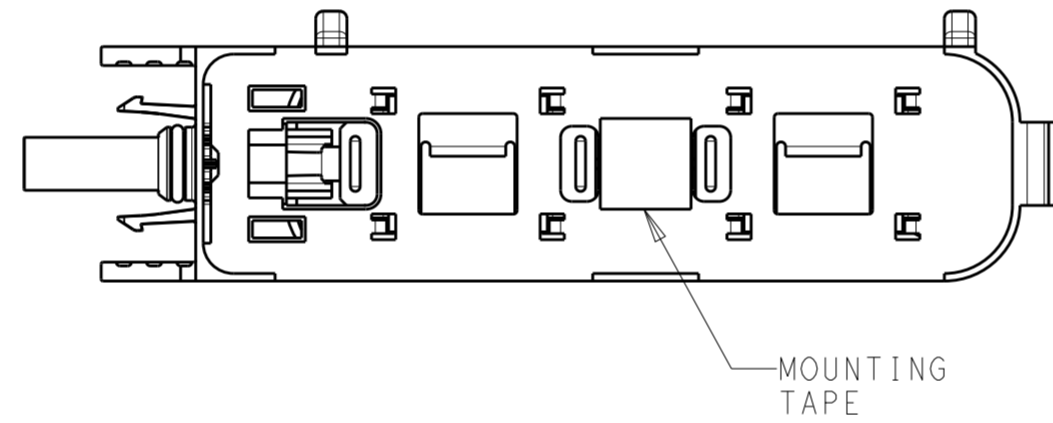
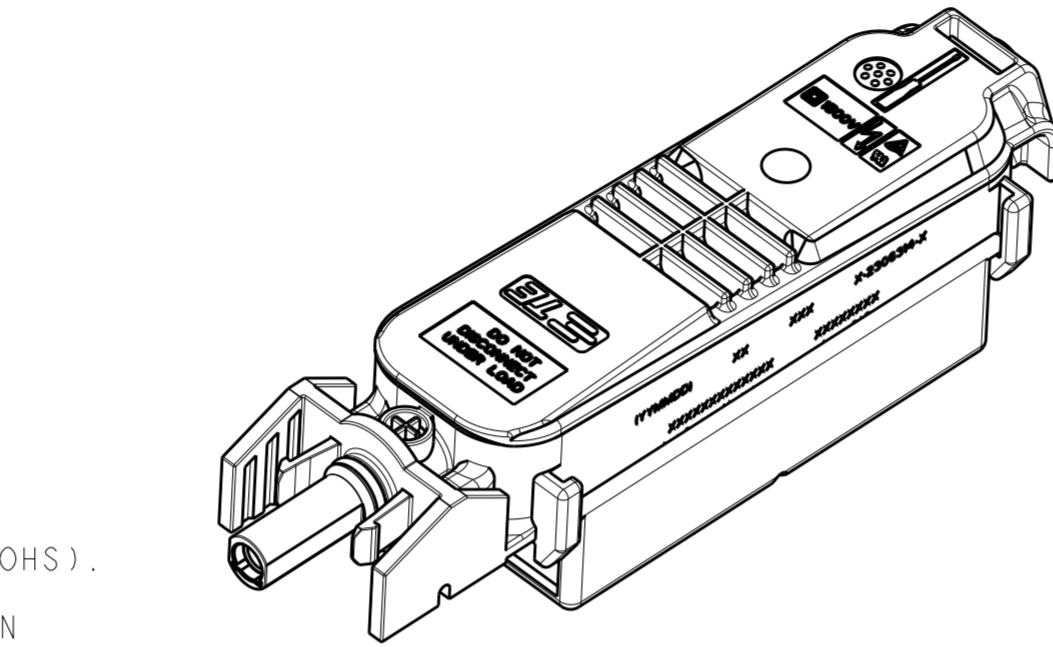


THIS DRAWING IS UNPUBLISHED. RELEASED FOR PUBLICATION  
 © COPYRIGHT copyright.d8Te- ALL RIGHTS RESERVED.

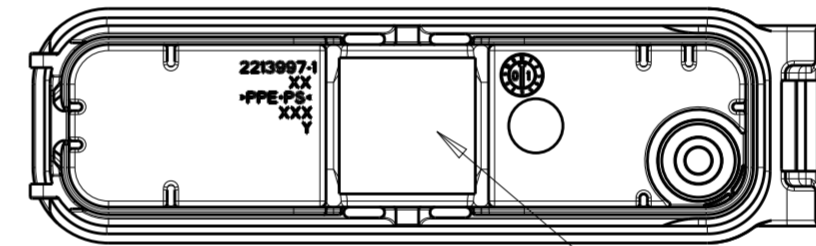
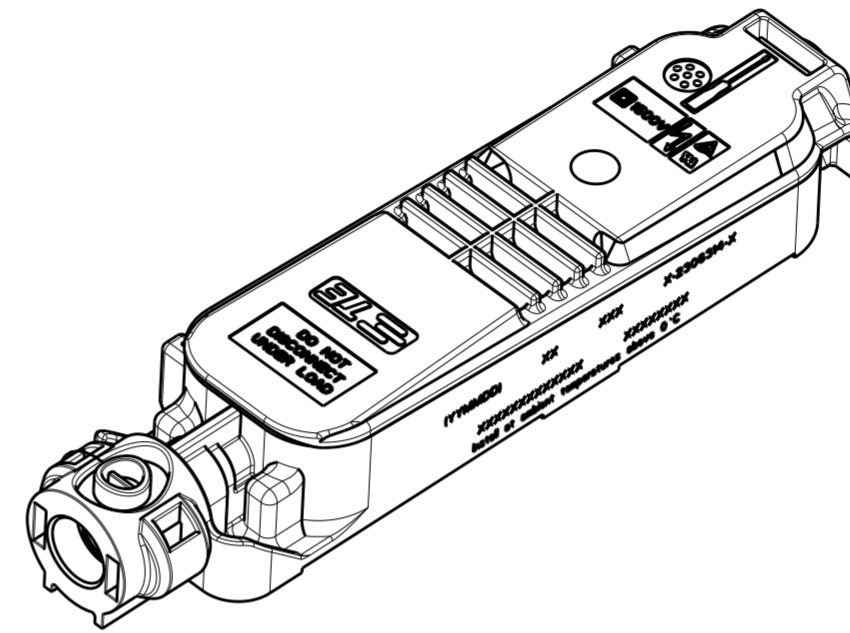
REVISIONS					
P	LTR	DESCRIPTION	DATE	DWN	APVD
A		RELEASED FOR PRODUCTION	23OCT2017	RK	PO
B		REVISED PER ECR-18-017215	29NOV2018	SR	MZ

NOTES:

- 1 LID NOT ASSEMBLED WITH LOWER PART. ENCLOSED LOOSELY
- 2 FLAP NOT ASSEMBLED WITH LOWER PART. ENCLOSED LOOSELY
- 3 PART NUMBER.
- 4 PRODUCTION DATE (YYMMDD)
- 5 MANUFACTURING LOCATION CODE.
- 6 FOIL CLIP INSTALLED ON BOX CONTACT RAILS.
- 7 MODEL CODE ACCORDING TE-SPEC. 404-74000-1
- 8 CONSECUTIVE SERIAL NUMBER
- 9 TEST EQUIPMENT NUMBER
- 10 DIODES WELDED ON CONTACT RAIL
- 11. MUST COMPLY WITH DIRECTIVE 2002/95/EC (ROHS).
- 12. THIS PRODUCT HAS NOT COMPLETED VALIDATION TESTING.



BOTTOM VIEW OF TYPICAL ASSEMBLY WHEN MOUNTING TAPE IS APPLIED



BOTTOM VIEW OF LID SUBASSEMBLY WHEN THERMAL INTERFACE MATERIAL IS APPLIED

BLACK	PPE+PS	EDGE FLAP	12	2
TIN OVER NICKEL	COPPER ALLOY	INTERFACE CONTACT-SOCKET	11	
TIN OVER NICKEL	COPPER ALLOY	INTERFACE CONTACT-PIN	10	
-	-	THERMAL INTERFACE MATERIAL	9	
-	-	BYPASS DIODE: TYPE SL2020A	8	
GRAY	PPE+PS	MEMBRANE RETAINER	7	
-	-	MEMBRANE VENT	6	
PLAIN	STAINLESS STEEL	FOIL CLIP	5	6
TIN	COPPER ALLOY	CONTACT RAIL	4	
BLACK	PPE+PS	BOX, LOWER HOUSING	3	
RED	SILICONE	O-RING SEAL	2	
BLACK	PPE+PS	BOX, LID	1	1
COLOR/FINISH	MATERIAL	DESCRIPTION	ITEM NO.	

PVEDGE2GGA1V_1	36.0	NORTH/SOUTH	YES	YES	3-2306314-5
PVEDGE2DGA1V_1	55.2	NORTH/SOUTH	YES	YES	3-2306314-2
PVEDGE2FGA1V_1	58.7	NORTH/SOUTH	YES	YES	3-2306314-1
PVEDGE2GGA1V_1	36.0	NORTH/SOUTH	NO	YES	2-2306314-5
PVEDGE2DGA1V_1	55.2	NORTH/SOUTH	NO	YES	2-2306314-2
PVEDGE2FGA1V_1	58.7	NORTH/SOUTH	NO	YES	2-2306314-1
PVEDGE2GGA1T_1	36.0	NORTH/SOUTH	YES	NO	1-2306314-5
PVEDGE2DGA1T_1	55.2	NORTH/SOUTH	YES	NO	1-2306314-2
PVEDGE2FGA1T_1	58.7	NORTH/SOUTH	YES	NO	1-2306314-1
PVEDGE2GGA1T_1	36.0	NORTH/SOUTH	NO	NO	2306314-5
PVEDGE2DGA1T_1	55.2	NORTH/SOUTH	NO	NO	2306314-2
PVEDGE2FGA1T_1	58.7	NORTH/SOUTH	NO	NO	2306314-1
MODEL CODE	7	PV PANEL FOIL DIRECTION	MOUNTING TAPE	THERMAL INTERFACE MATERIAL	PART NO.

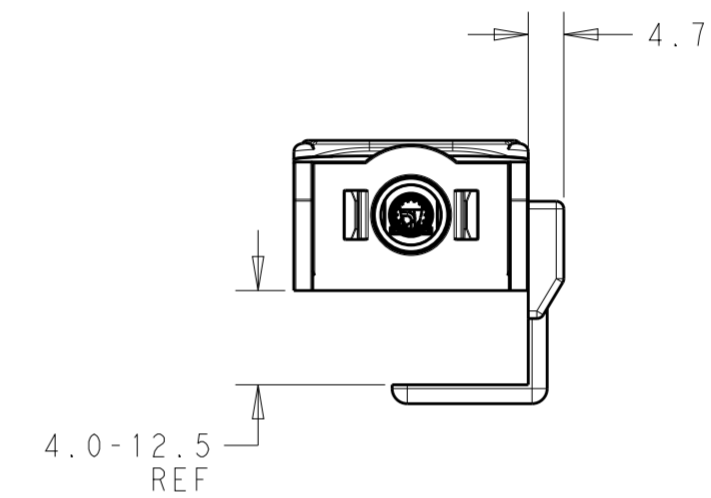
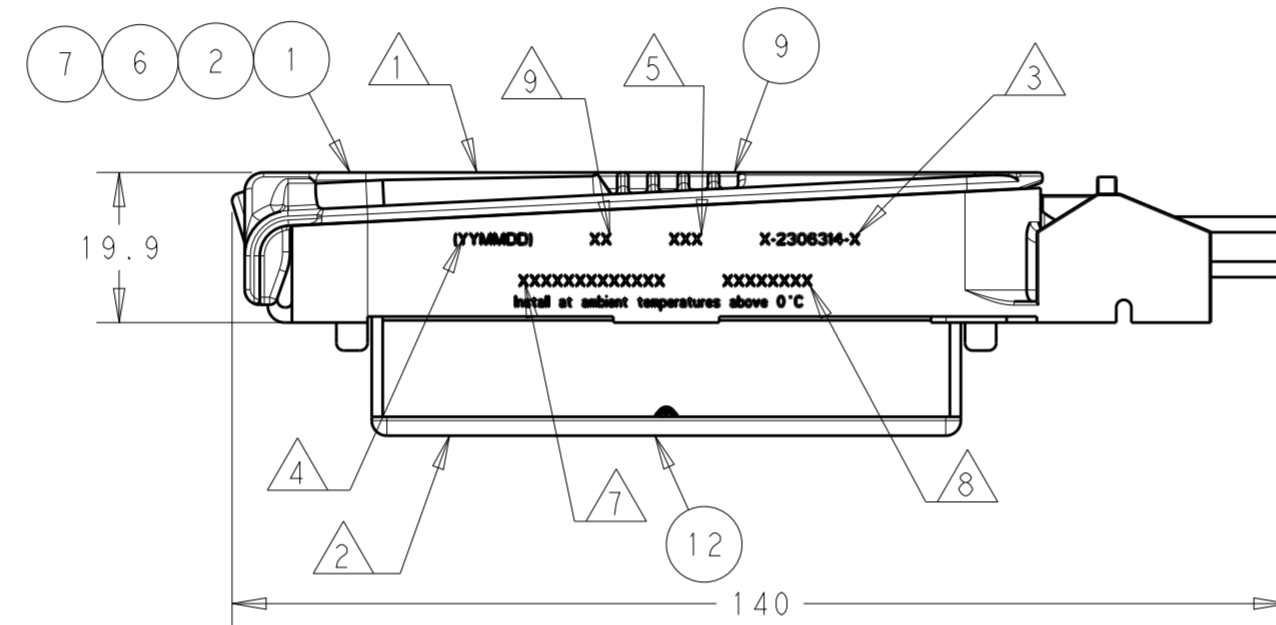
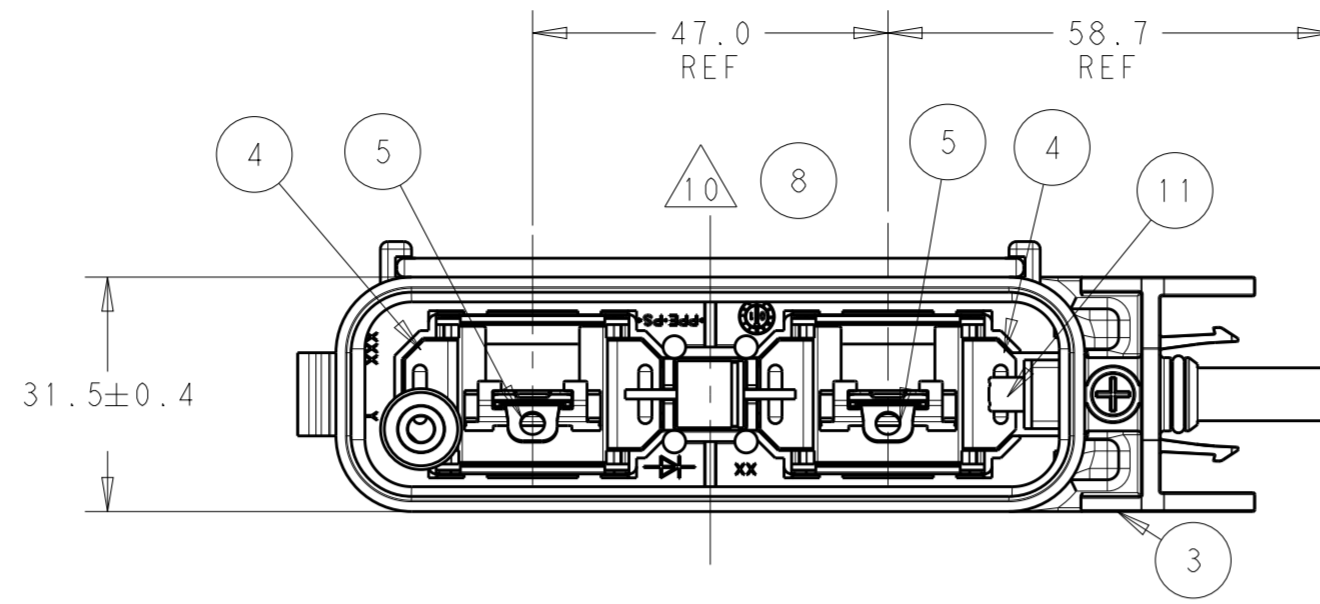
THIS DRAWING IS A CONTROLLED DOCUMENT.

DIMENSIONS: mm	TOLERANCES UNLESS OTHERWISE SPECIFIED:	DWN RAVLS 16 JUL 2016	TE Connectivity
0 PLC ±0.50	1 PLC ±0.25	CHK GINGRICH CHUCK 16 JUL 2016	
2 PLC ±0.13	3 PLC ±	APVD GINGRICH CHUCK 16 JUL 2016	
4 PLC ANGLES ±	FINISH -	PRODUCT SPEC 108-32122	NAME PV EDGE ASSEMBLY, WITH FLAP, S-CLIP
MATERIAL 1		APPLICATION SPEC 114-32157	SIZE A2
		WEIGHT -	CAGE CODE -
		CUSTOMER DRAWING	DRAWING NO. C-2306314
			RESTRICTED TO -
			SCALE 5:1 SHEET 1 OF 3 REV B

THIS DRAWING IS UNPUBLISHED. RELEASED FOR PUBLICATION  
 © COPYRIGHT copyright.d8te- ALL RIGHTS RESERVED.

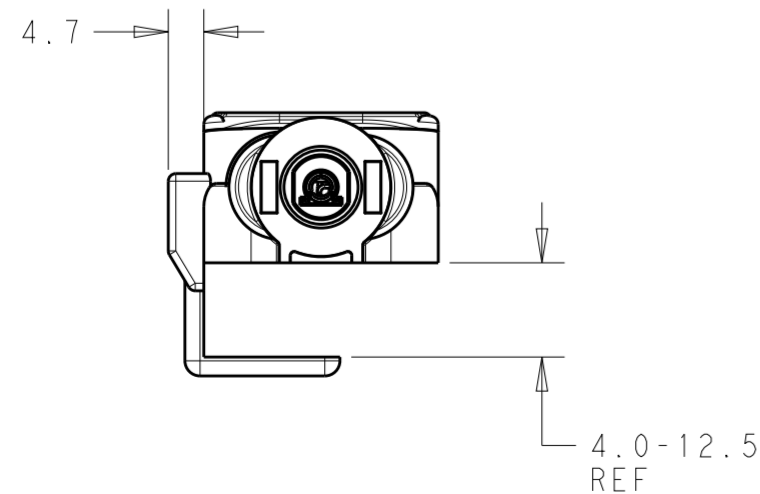
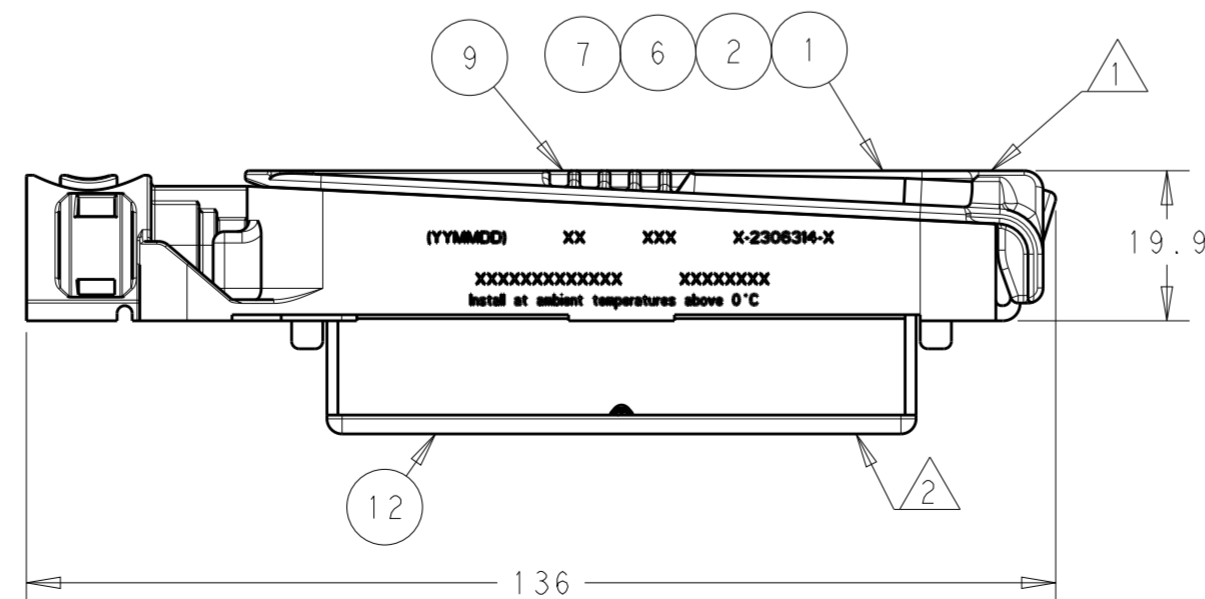
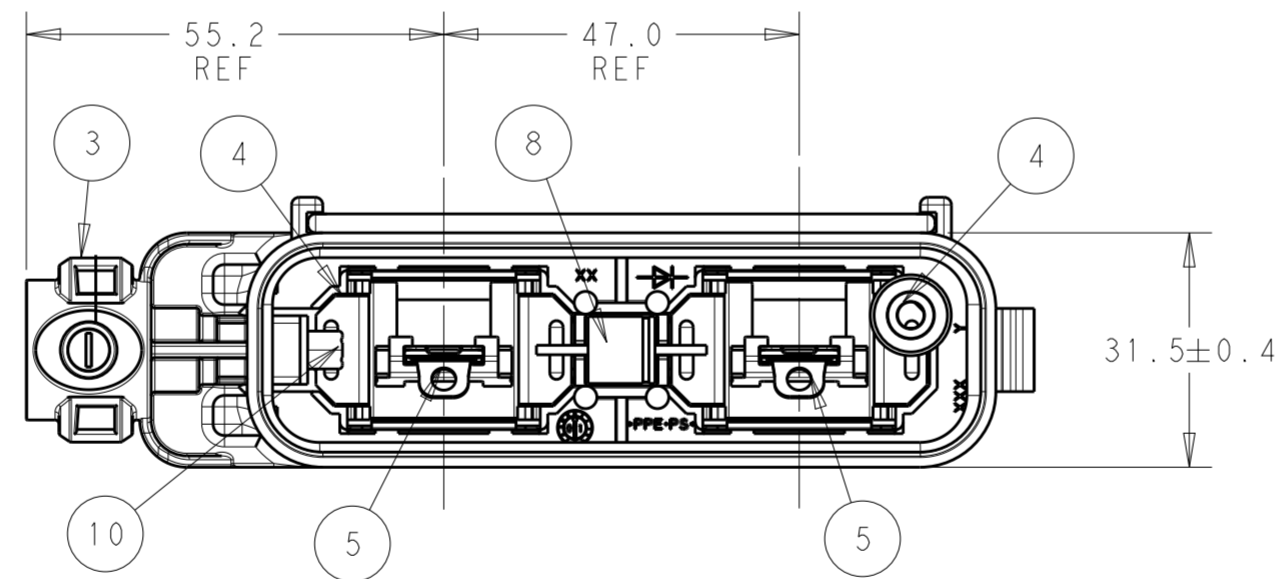
REVISIONS				
P	LTR	DESCRIPTION	DATE	APVD
-		SEE SHEET 1	-	-

LID NOT SHOWN FOR REFERENCE ONLY



2306314-1  
 1-2306314-1  
 2-2306314-1  
 3-2306314-1  
 SHOWN

LID NOT SHOWN FOR REFERENCE ONLY



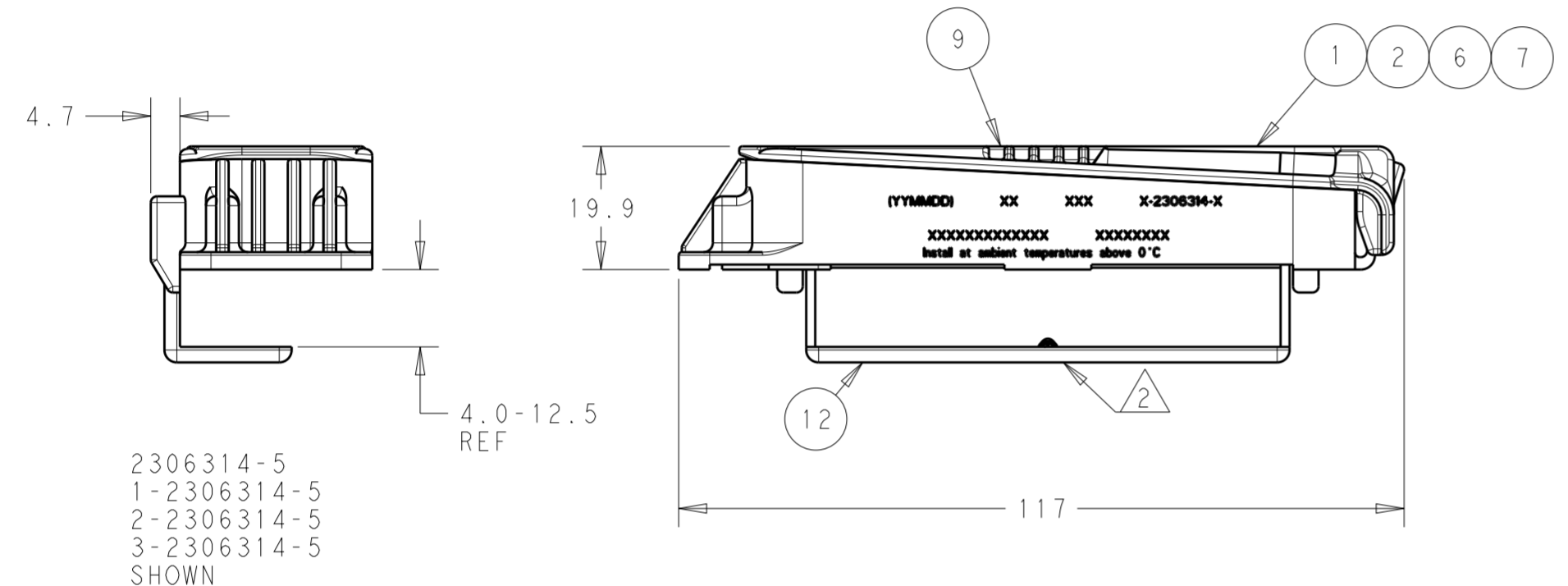
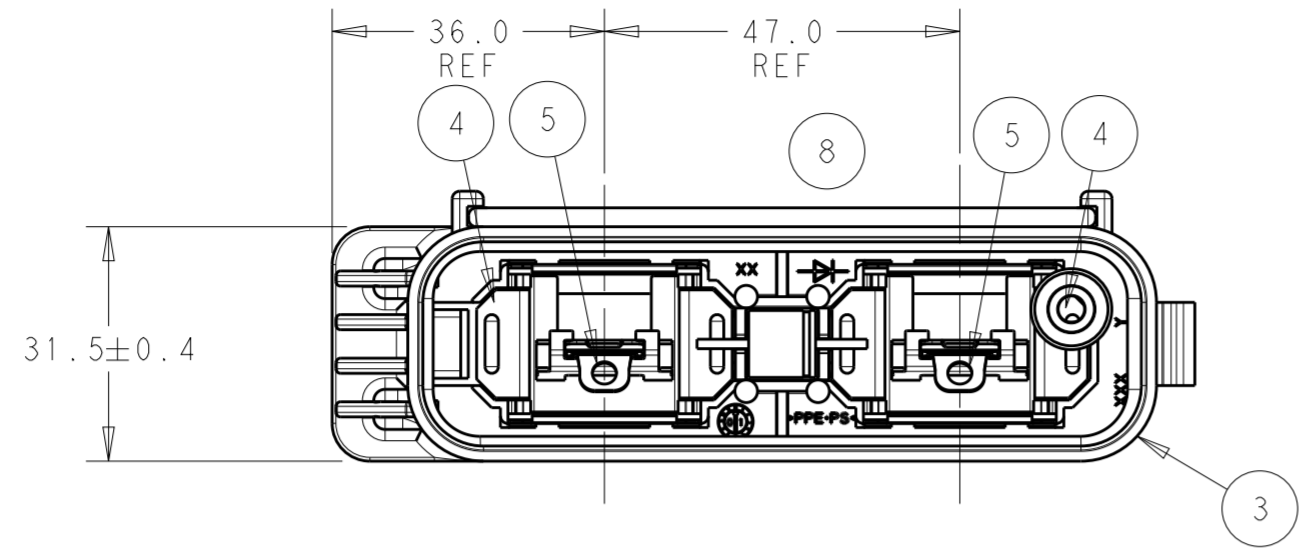
2306314-2  
 1-2306314-2  
 2-2306314-2  
 3-2306314-2  
 SHOWN

THIS DRAWING IS A CONTROLLED DOCUMENT.		DWN RAVI.S 16 JUL 2016	TE Connectivity															
DIMENSIONS: mm		CHK GINGRICH CHUCK 16 JUL 2016																
TOLERANCES UNLESS OTHERWISE SPECIFIED:		APVD GINGRICH CHUCK 16 JUL 2016	NAME PV EDGE ASSEMBLY, WITH FLAP, S-CLIP															
<table border="1"> <tr><td>0 PLC</td><td>±0.50</td></tr> <tr><td>1 PLC</td><td>±0.25</td></tr> <tr><td>2 PLC</td><td>±0.13</td></tr> <tr><td>3 PLC</td><td>±</td></tr> <tr><td>4 PLC</td><td>±</td></tr> <tr><td>ANGLES</td><td>±</td></tr> <tr><td>FINISH</td><td>±</td></tr> </table>		0 PLC	±0.50	1 PLC	±0.25	2 PLC	±0.13	3 PLC	±	4 PLC	±	ANGLES	±	FINISH	±	PRODUCT SPEC 108-32122	SIZE A2	
0 PLC	±0.50																	
1 PLC	±0.25																	
2 PLC	±0.13																	
3 PLC	±																	
4 PLC	±																	
ANGLES	±																	
FINISH	±																	
MATERIAL		APPLICATION SPEC 114-32157	CAGE CODE -	DRAWING NO C-2306314														
		WEIGHT -	RESTRICTED TO -															
		CUSTOMER DRAWING	SCALE 5:1	SHEET 2 OF 3														
			REV B															

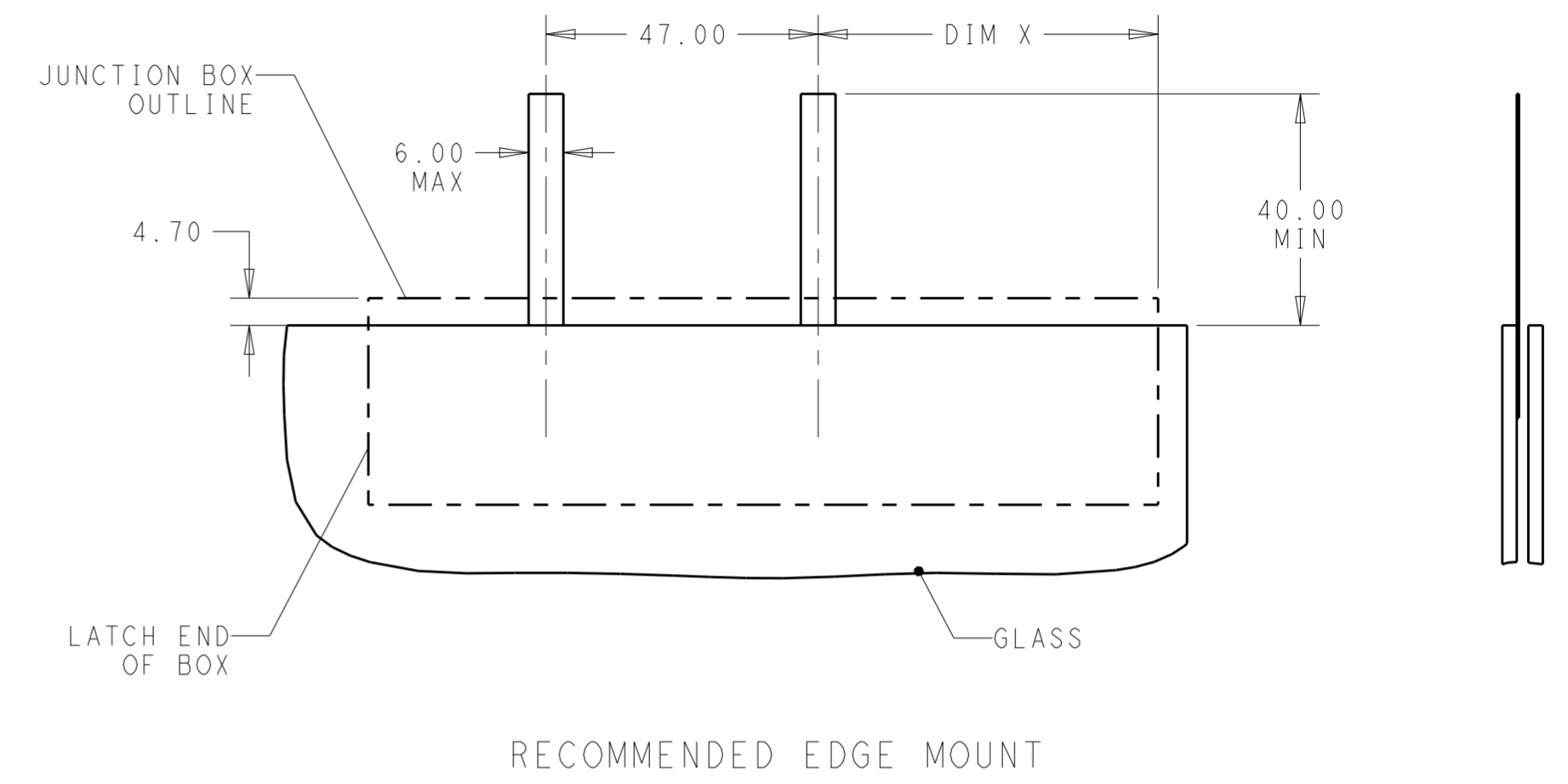
THIS DRAWING IS UNPUBLISHED. RELEASED FOR PUBLICATION  
 © COPYRIGHT copyright.d8te- ALL RIGHTS RESERVED.

REVISIONS				
P	LTR	DESCRIPTION	DATE	APVD
-	-	SEE SHEET 1	-	-

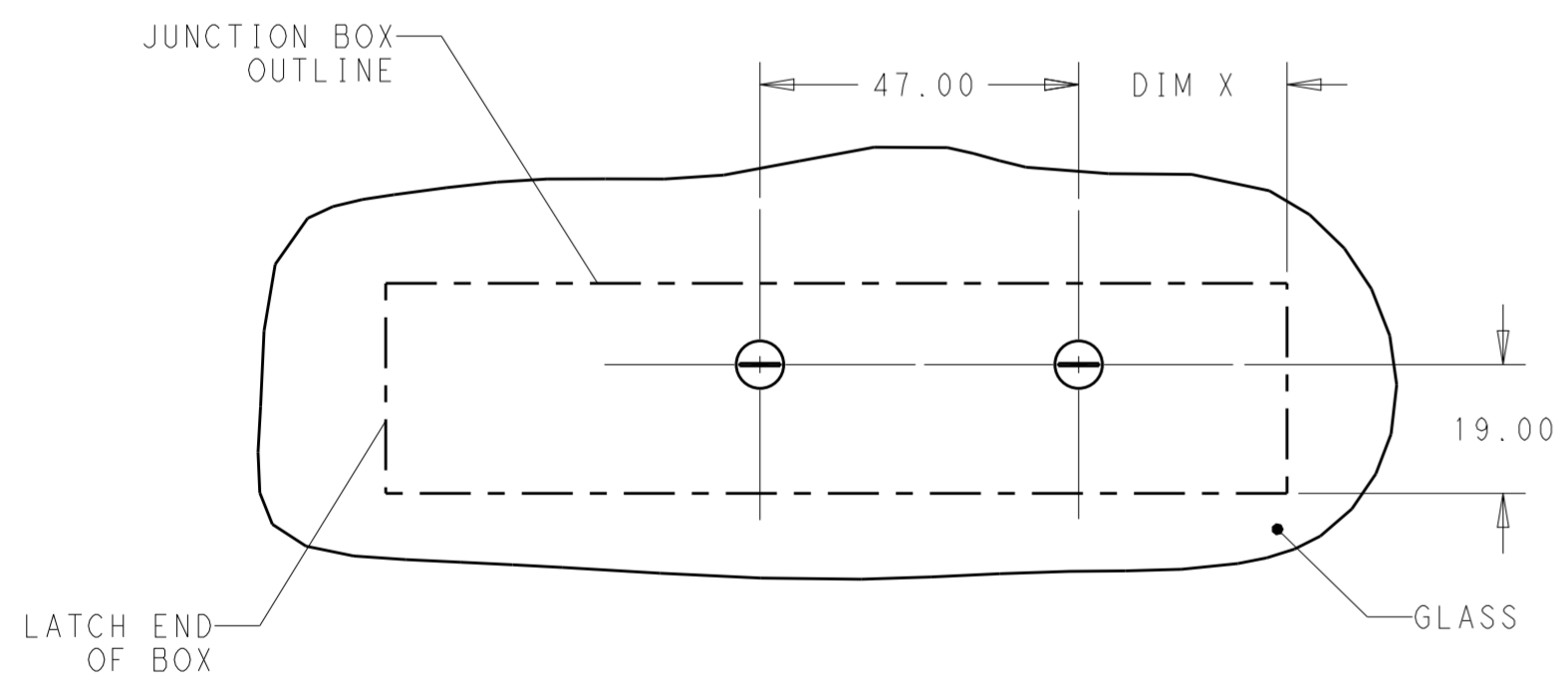
LID NOT SHOWN FOR REFERENCE ONLY



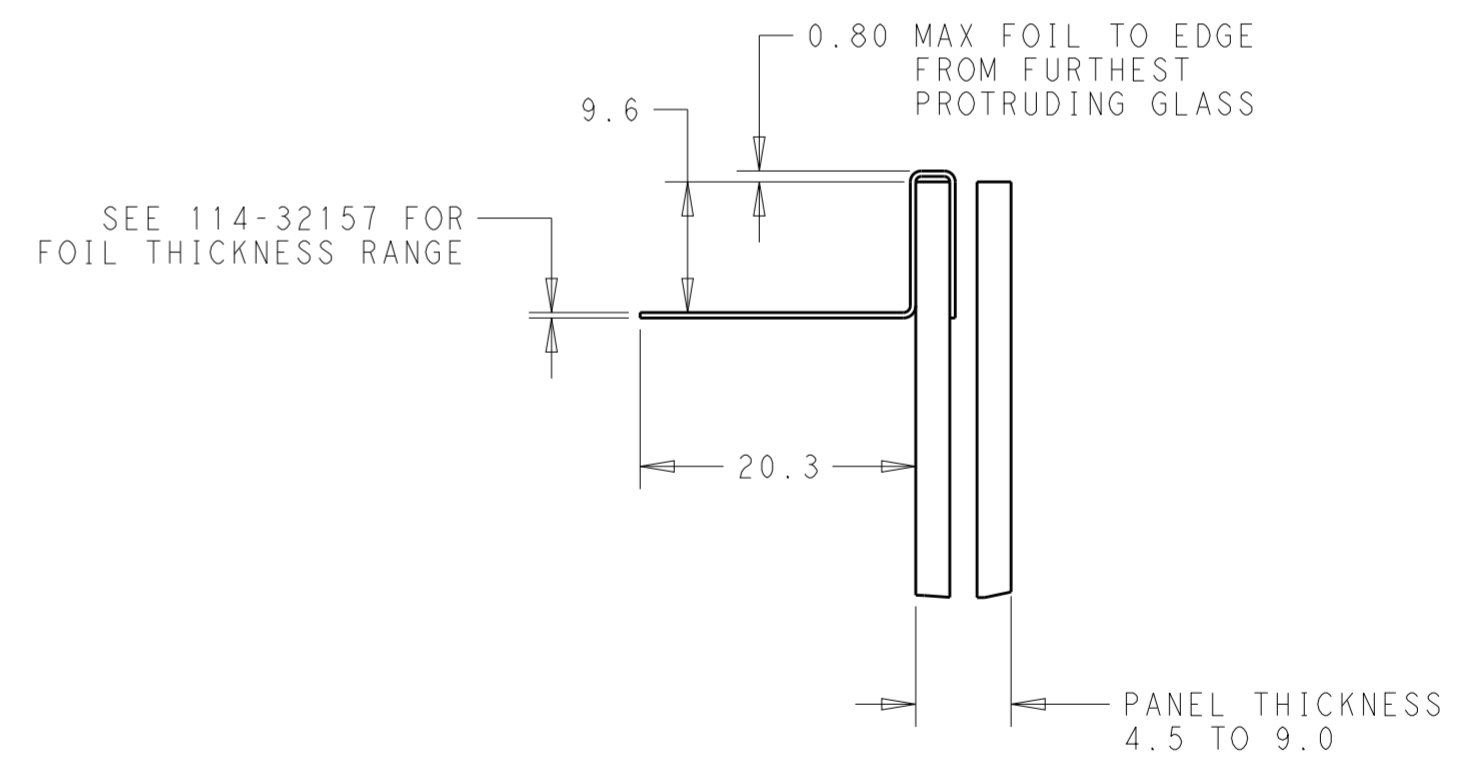
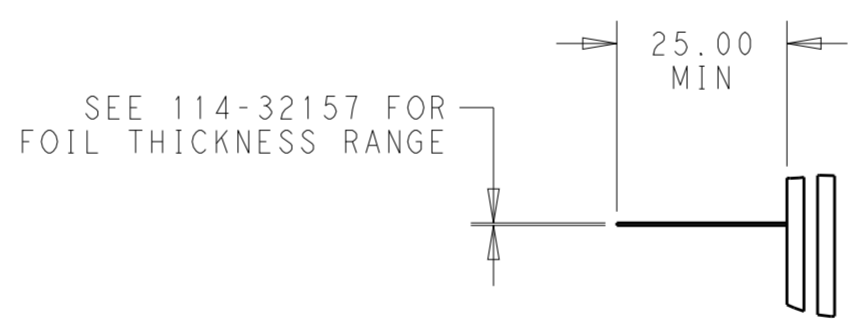
- 2306314-5
  - 1-2306314-5
  - 2-2306314-5
  - 3-2306314-5
- SHOWN



RECOMMENDED EDGE MOUNT



RECOMMENDED NON-EDGE MOUNT  
(NORTH-SOUTH PV PANEL FOIL ORIENTATION)



AS FORMED READY FOR ASSEMBLY OF JUNCTION BOX

THIS DRAWING IS A CONTROLLED DOCUMENT.		DWN RAVI.S 16 JUL 2016	TE Connectivity	
DIMENSIONS: mm		CHK GINGRICH CHUCK 16 JUL 2016		
TOLERANCES UNLESS OTHERWISE SPECIFIED:		APVD GINGRICH CHUCK 16 JUL 2016	NAME PV EDGE ASSEMBLY, WITH FLAP, S-CLIP	
0 PLC ±0.50		PRODUCT SPEC 108-32122	SIZE A2	
1 PLC ±0.25		APPLICATION SPEC 114-32157	CAGE CODE -	
2 PLC ±0.13		WEIGHT -	DRAWING NO C-2306314	
3 PLC ±		CUSTOMER DRAWING	RESTRICTED TO -	
4 PLC ±		SCALE 5:1	SHEET 3 OF 3	
ANGLES ±		REV B		
FINISH -				

## X-ON Electronics

Largest Supplier of Electrical and Electronic Components

*Click to view similar products for [Solar Connectors / Photovoltaic Connectors](#) category:*

*Click to view products by [TE Connectivity](#) manufacturer:*

Other Similar products are found below :

[1740699-7](#) [1971861-4](#) [1971131-4](#) [1971858-3](#) [1971861-3](#) [PV-090508-M10](#) [PV-CM-S 2 5-6 \(-\)](#) [2270184-3](#) [2270154-2](#) [2270226-4](#) [PV-090508-M06-N](#) [1987558-2](#) [PV-090506-F03](#) [UTXPM](#) [UTXPF](#) [UTXCMB6AM](#) [1627092](#) [1017635](#) [1017636](#) [1-2306314-1](#) [1-2306314-2](#) [1302440201](#) [2-1971862-2](#) [H4CMC6DM](#) [1705996](#) [1705995](#) [1971858-2](#) [5-2306317-2](#) [1704926](#) [H4CFC4DIS](#) [H4CMC4DC](#) [H4CFC4DC](#) [H4CMC4DM](#) [H4CFC4DM](#) [H4CFC6DM](#) [H4CFM2DI](#) [H4CFM6DI](#) [H4CMC2DI](#) [H4CMC8DM](#) [H4CMM6DI](#) [H4CMC4DMS](#) [H4CMC4DIS](#) [H4PF](#) [H4PM](#) [HGLUI](#) [PWJ-03BMMB-LL8001](#) [UTXCFA0AM](#) [UTXCFA4BMH](#) [UTXCMA0AM](#) [UTXCMA4AM](#)