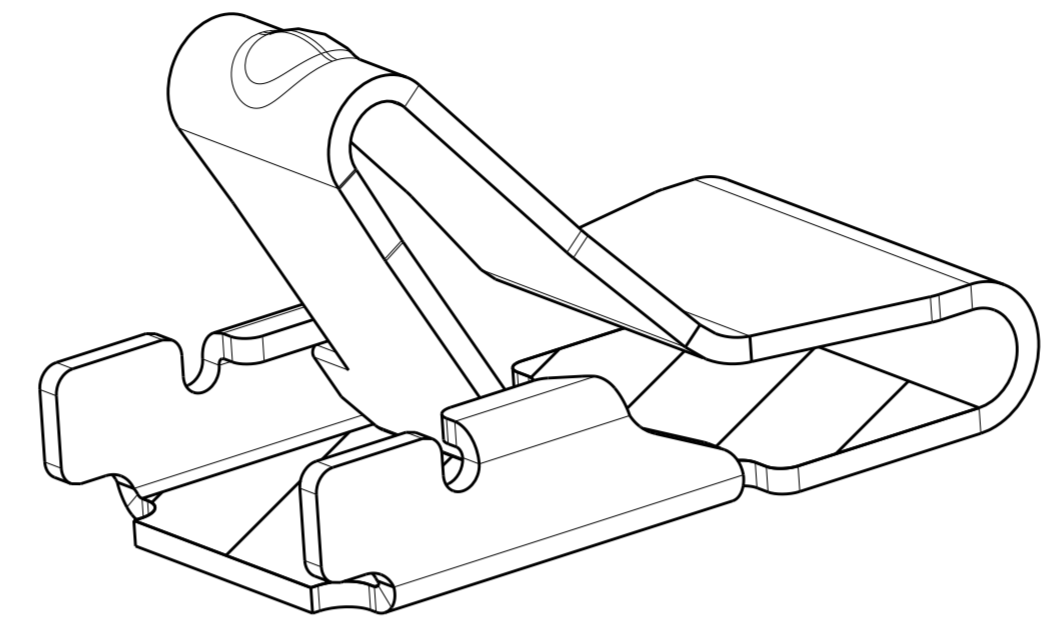
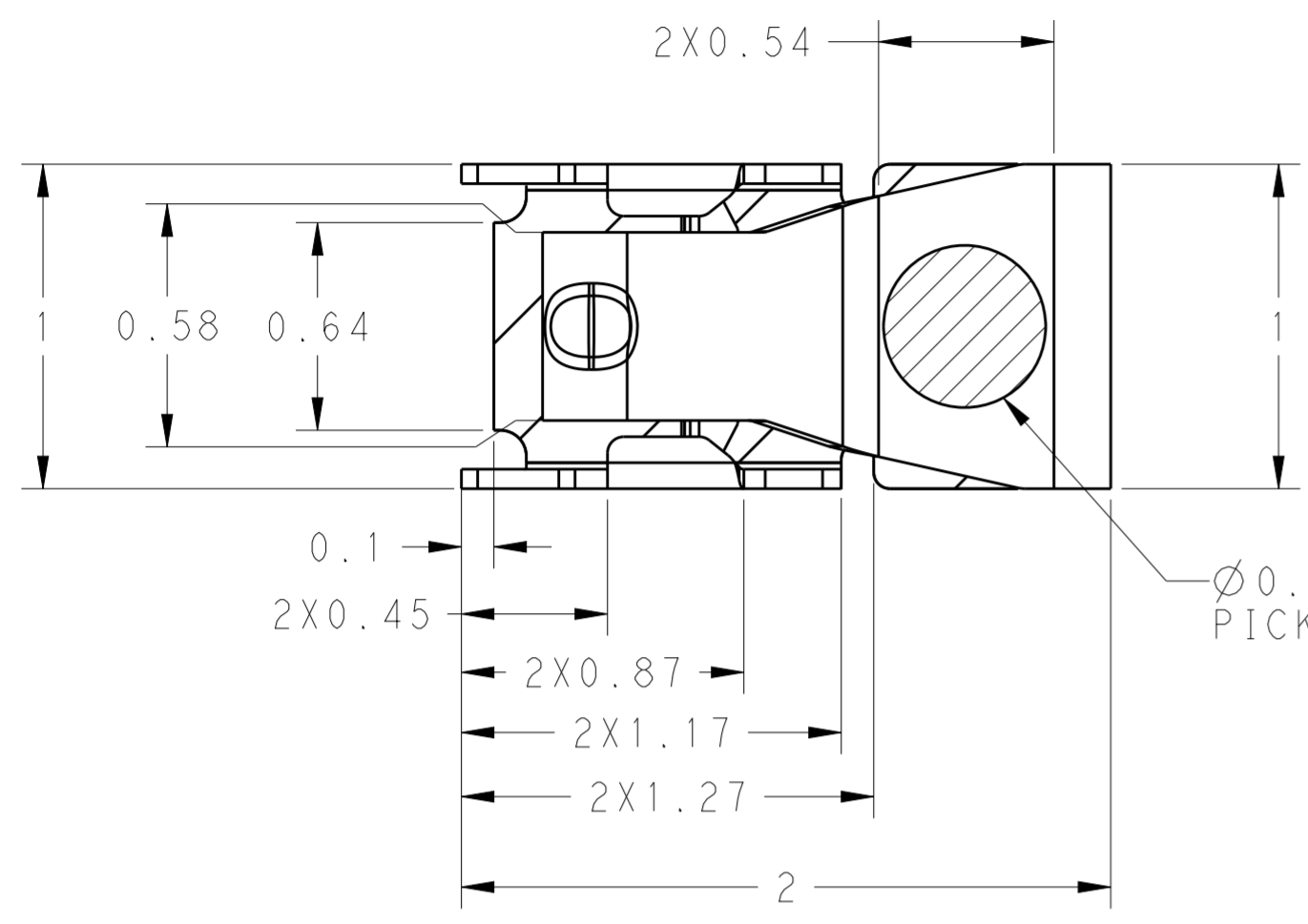


THIS DRAWING IS UNPUBLISHED. RELEASED FOR PUBLICATION
 © COPYRIGHT copyright.d8te- ALL RIGHTS RESERVED.

REVISIONS				
P	LTR	DESCRIPTION	DATE	APVD
A		FIRST RELEASED	20DEC2017	J. J. W. H.

2306334-3 AS SHOWN



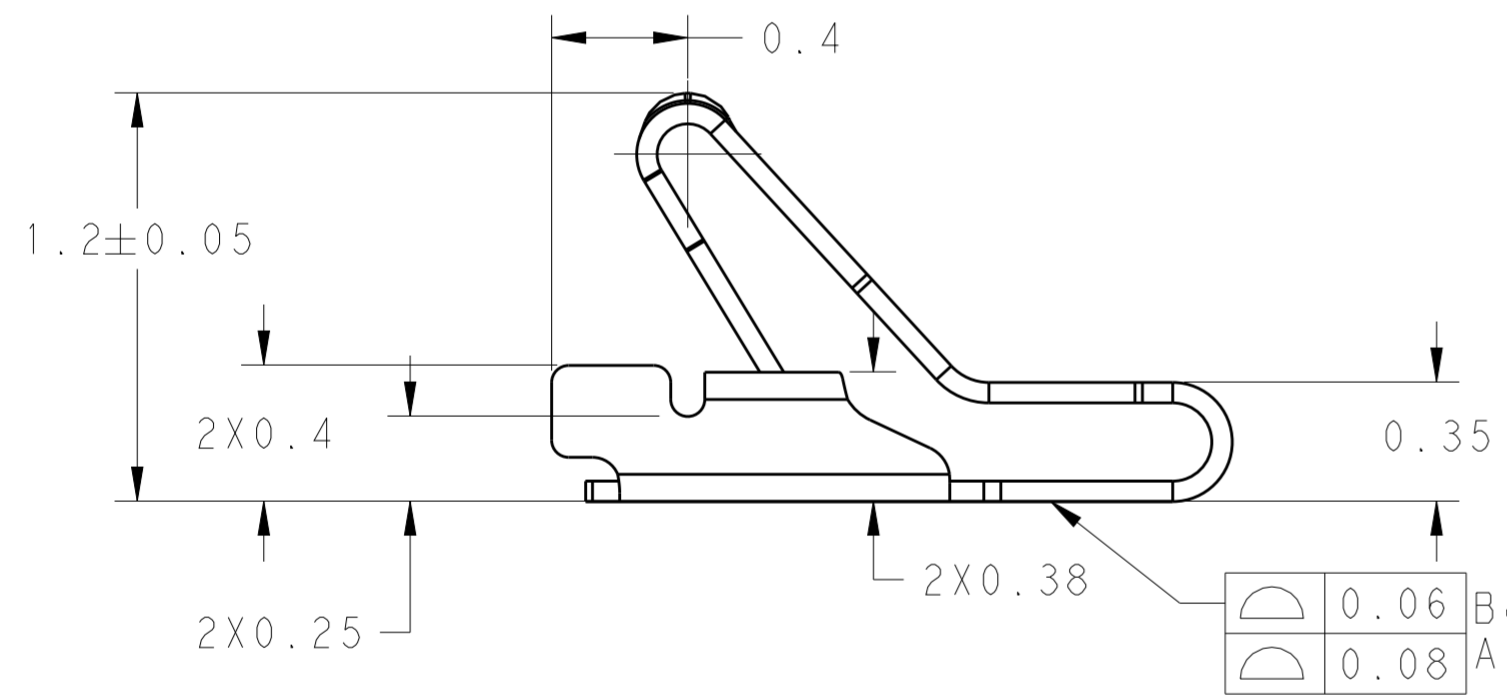
SCALE 60:1

NOTE:
 ① MATERIAL: STAINLESS STEEL, TEMPER: K1500, THK: 0.06 mm

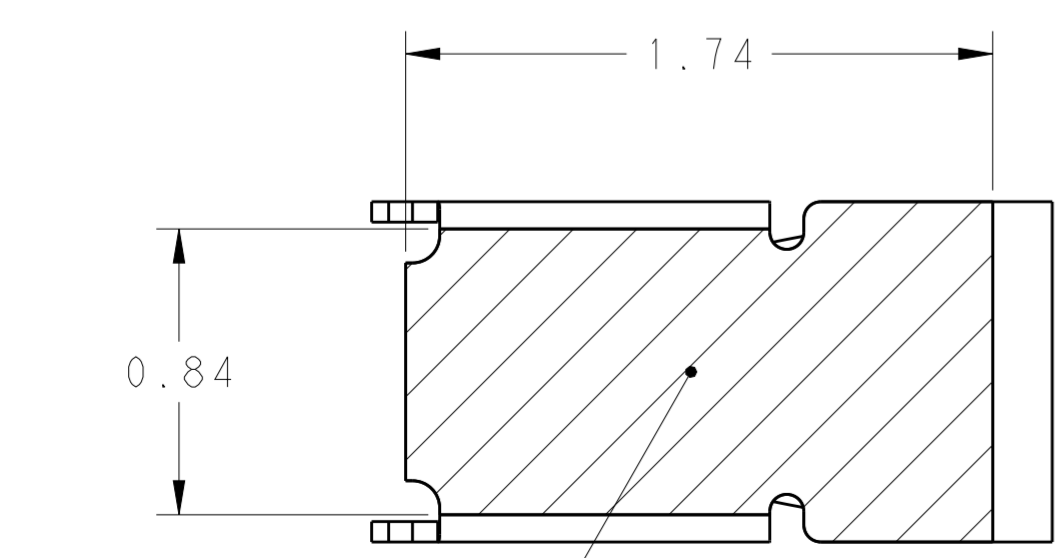
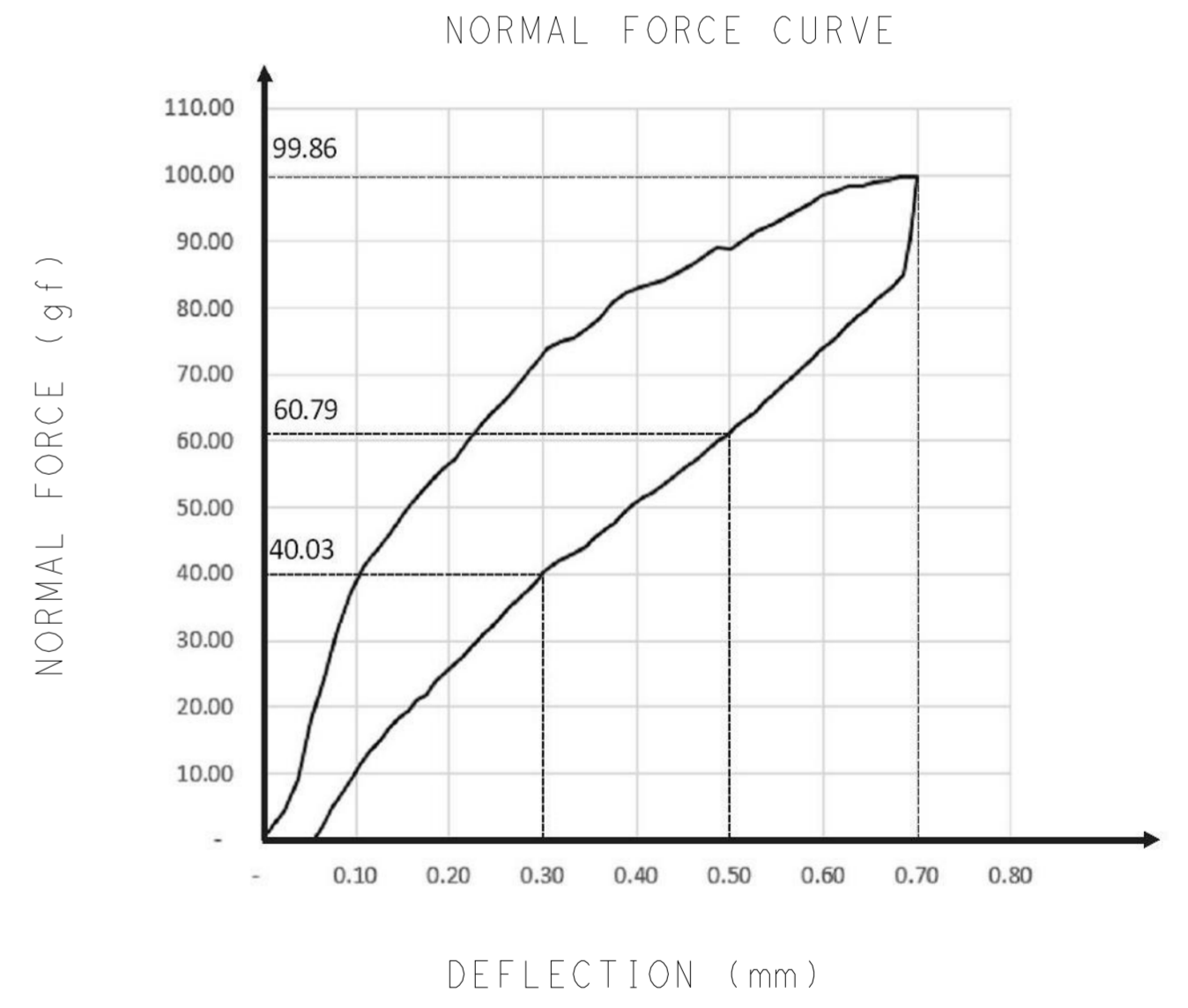
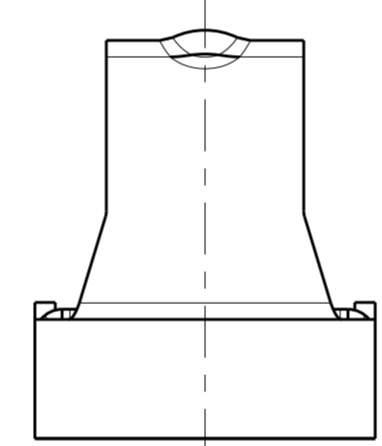
② FINISH:
 NICKEL PLATING 0.002~0.003 mm OVER ALL,
 GOLD PLATING 0.0001 mm AT CONTACT AREA,
 GOLDP LATING 0.000025 mm AT SOLDDERING AREA.

3 WORKING POSITION: 0.7±0.2 mm.

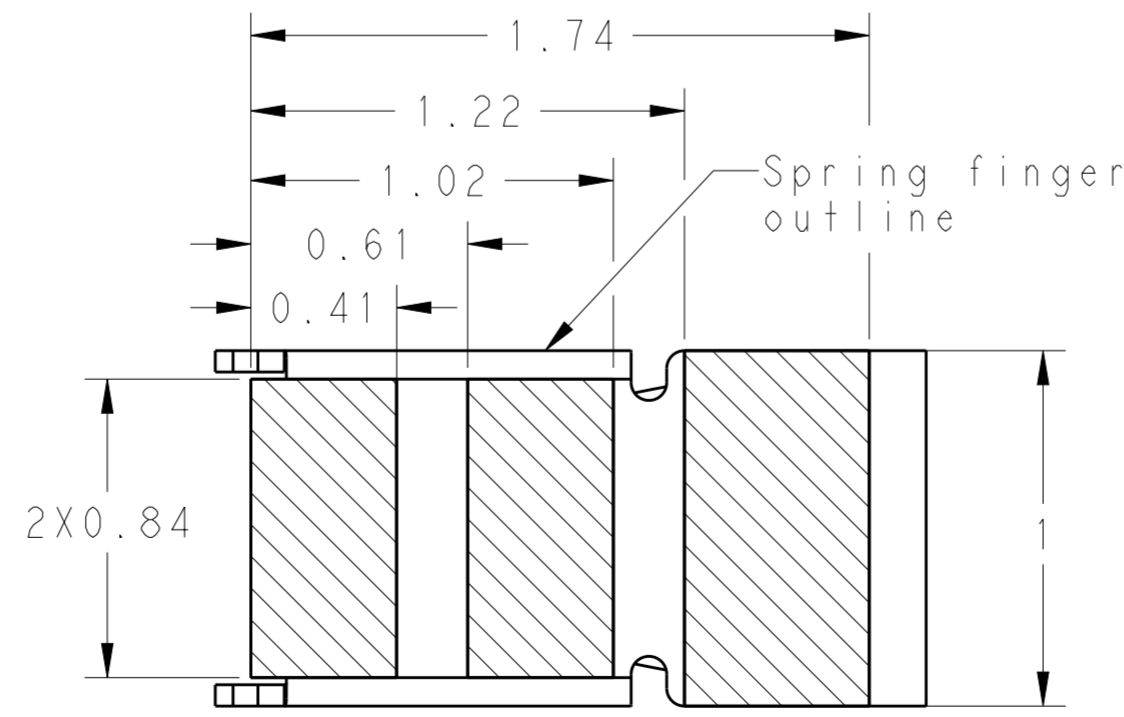
Ø0.5 PICK & PLACE AREA



	0.06	Before IR
	0.08	After IR



GOLDPLATING AREA

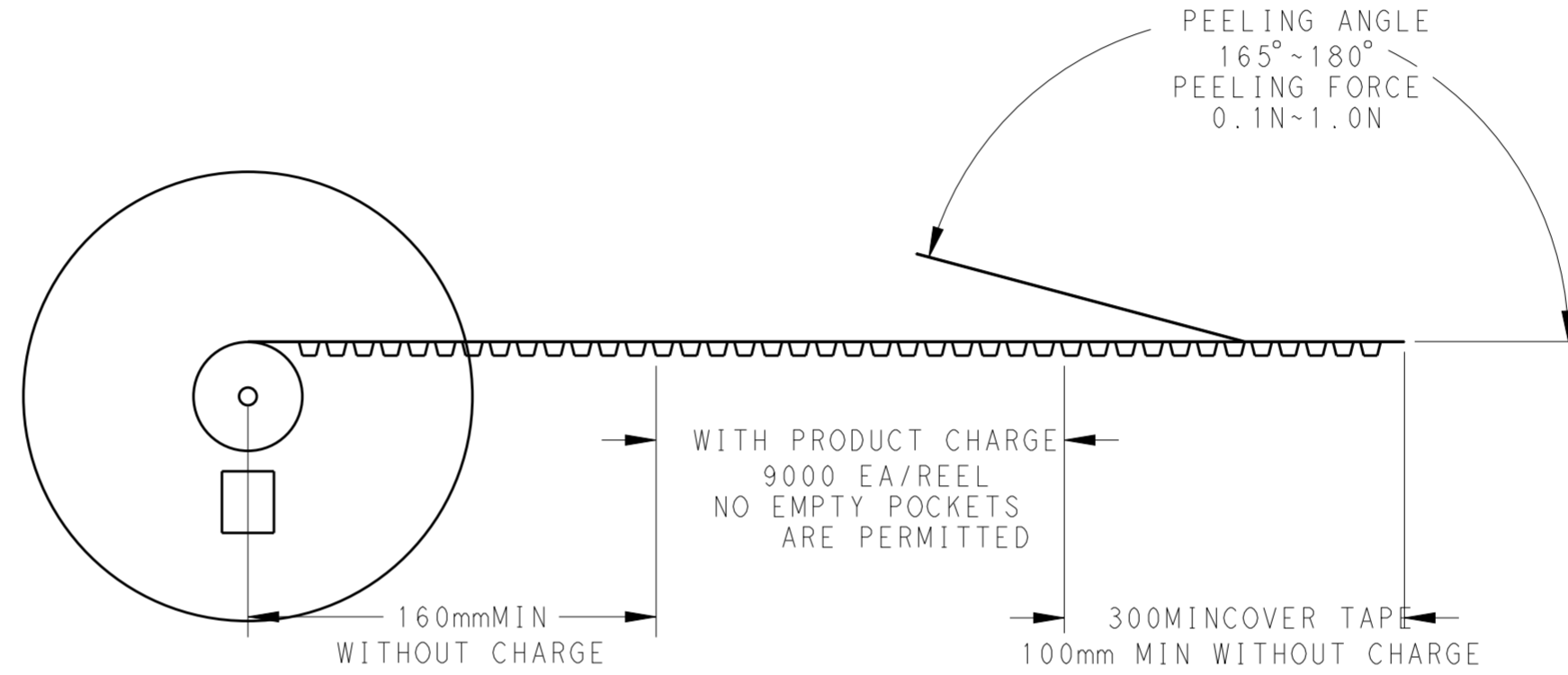
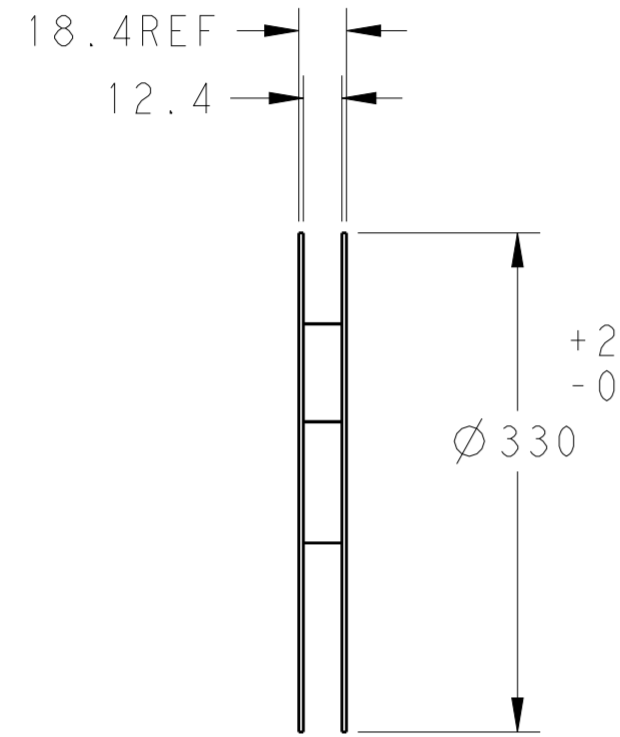


SCALE: 45:1
 RECOMMENDED PCB LAYOUT
 TOL: ±0.02

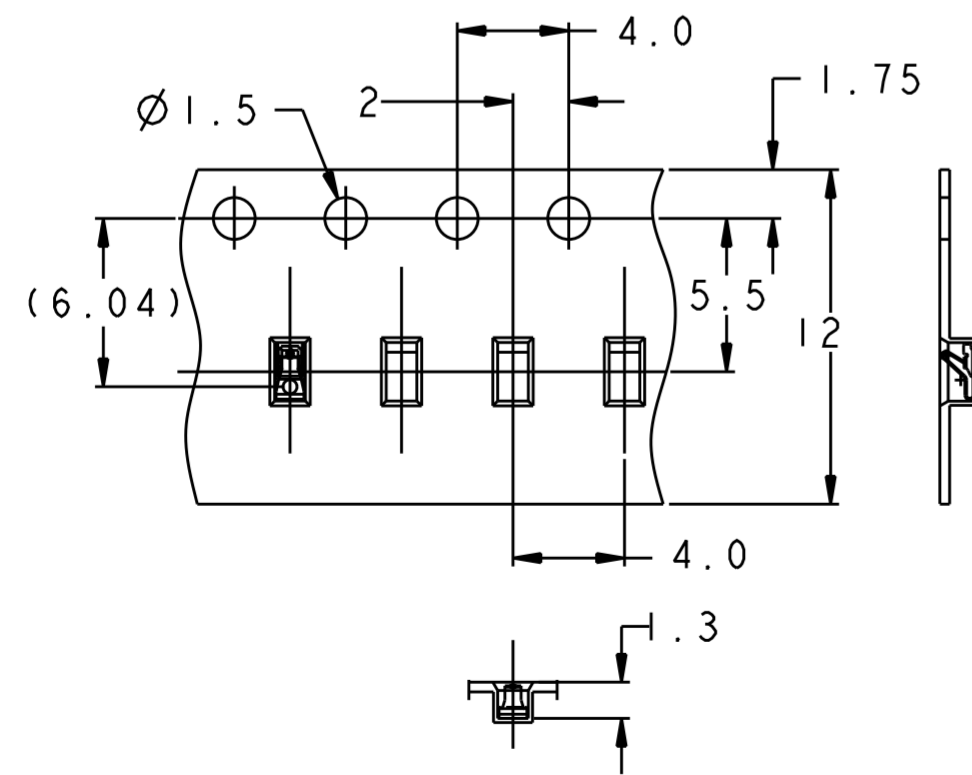
THIS DRAWING IS A CONTROLLED DOCUMENT.		DWN SIMON WU 4JUL2016	TE Connectivity	
DIMENSIONS: mm		CHK WENKE HE 4JUL2016		
TOLERANCES UNLESS OTHERWISE SPECIFIED:		APVD WENKE HE 4JUL2016	NAME	
0-PLC ±0.1		PRODUCT SPEC		
1-PLC ±0.1		APPLICATION SPEC		
2-PLC ±0.01		WEIGHT 0.0024		
3-PLC ±0.001		SIZE A2		
4-PLC ±0.0001		CAGE CODE -		
ANGLES ±3°		DRAWING NO C-2306334		
FINISH -		RESTRICTED TO		
MATERIAL -		SCALE 48:1 SHEET 1 OF 2 REV A		
-		CUSTOMER DRAWING		

THIS DRAWING IS UNPUBLISHED. RELEASED FOR PUBLICATION
 © COPYRIGHT copyright.d8te- ALL RIGHTS RESERVED.

REVISIONS				
P	LTR	DESCRIPTION	DATE	APVD
-	-	SEE SHEET 1	-	-



→ DIRECTION OF TOP OF REEL



PACKAGE FOR REFERENCE

THIS DRAWING IS A CONTROLLED DOCUMENT.		DWN SIMON WU 4 JUL 2016	TE Connectivity	
DIMENSIONS: mm		CHK WENKE HE 4 JUL 2016		
TOLERANCES UNLESS OTHERWISE SPECIFIED: 0-PLC ±0.2 1-PLC ±0.1 2-PLC ±0.01 3-PLC ±0.001 4-PLC ±0.0001		APVD WENKE HE 4 JUL 2016	NAME 1.2H SPRING FINGER	
MATERIAL -		PRODUCT SPEC -	SIZE A2	CAGE CODE -
FINISH -		APPLICATION SPEC -	DRAWING NO C-2306334	RESTRICTED TO
-		WEIGHT 0.0024	SCALE 1:1	SHEET 2 OF 2
-		CUSTOMER DRAWING	REV A	

X-ON Electronics

Largest Supplier of Electrical and Electronic Components

Click to view similar products for [EMI Gaskets, Sheets, Absorbers & Shielding](#) category:

Click to view products by [TE Connectivity](#) manufacturer:

Other Similar products are found below :

[8101010140](#) [8563-0090-89](#) [1194-7.7X10](#) [1245-34"X18YD](#) [1267](#) [1345-3/8x18yrd](#) [1380-2"X8"](#) [1554907-1](#) [2320002000](#) [2320014700](#)
[SG293037DS](#) [ST005PCN50](#) [55005107](#) [38M4040AA0606](#) [46J5N02020.NN00](#) [1125-8X10](#) [1126X1"](#) [1170-3/4X18YDS](#) [1170-7.7x10](#) [1183-](#)
[12"X18YD](#) [6-34T-BD-0.315](#) [SG125187D-24](#) [SG125250R-24](#) [SG187375R-24](#) [SG284050DS](#) [8402010540](#) [KIT TECH CLIP](#) [1194](#) [10-40450-](#)
[28S](#) [1245](#) [1267-1/2"x18yd](#) [46J8501020.NN00](#) [1170-1/4"x18yd](#) [AL-36FR-1x54.5](#) [3013310A](#) [1194X1"](#) [3020604](#) [3021302](#) [3031313](#) [260709](#)
[3021310](#) [6-34UT-070-BD-16](#) [303076048](#) [46J5N03020.NN00](#) [30206025](#) [30395641](#) [3030403](#) [3690103020](#) [HNY-LT15CU4241](#) [1170-](#)
[3/8"x18yd](#)