

4

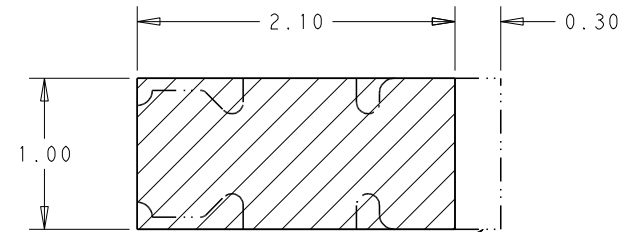
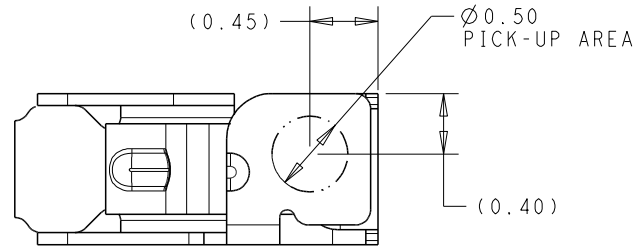
3

2

1

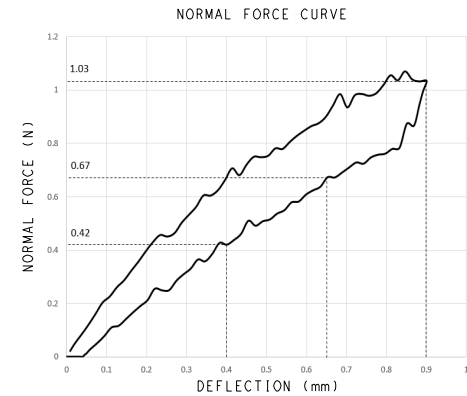
THIS DRAWING IS UNPUBLISHED. RELEASED FOR PUBLICATION 20  
 © COPYRIGHT 20 BY - ALL RIGHTS RESERVED.

REVISIONS					
P	LTR	DESCRIPTION	DATE	DWN	APVD
	A	REVISED	09APR2017	J. J	W. H

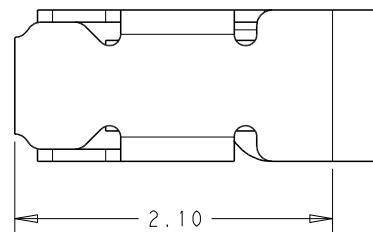
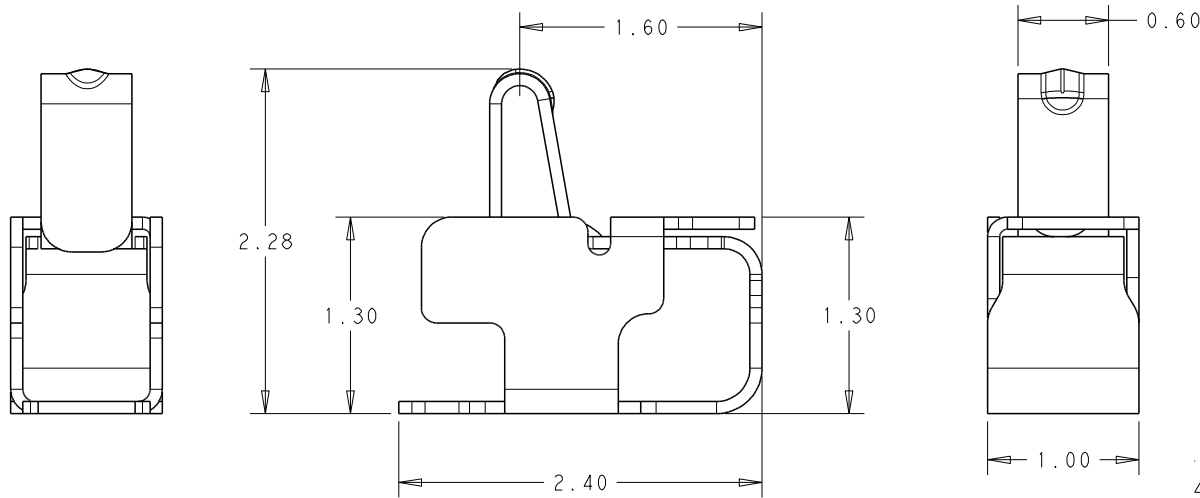


PRODUCT PROFILE

REFERENCE PCB LAYOUT TOLERANCE ±0.05



- 1 PART NUMBER: 2306454-3
- 2 MATERIAL: STAINLESS STEEL, THICKNESS=0.08MM.
- 3 PLATING: 2um MIN. NICKEL UNDERLAYER ALL OVER  
0.10um MIN. GOLD ON CONTACT SURFACE  
GOLD FLASH ON SOLDERING SURFACE
- 4 PICK AND PLACE SURFACE Ø0.5MM.
- 5 WORKING RANGE 1.65±0.25mm.



THIS DRAWING IS A CONTROLLED DOCUMENT.

DIMENSIONS: mm  
 TOLERANCES UNLESS OTHERWISE SPECIFIED: ±0.2

0-PLC	±
1-PLC	±0.1
2-PLC	±0.01
3-PLC	±0.001
4-PLC	±0.0001
ANGLES	±

MATERIAL: SEE NOTE  
 FINISH: SEE NOTE

DWN	JONE JI	03JUL2016
CHK	Wenke He	03JUL2016
APVD	Wenke He	03JUL2016
PRODUCT SPEC	108-115120	
APPLICATION SPEC	-	
WEIGHT	-	

**STE** TE Connectivity

NAME: SPRING FINGER 2.3H

SIZE	A3	CAGE CODE	-	DRAWING NO	©=2306454	RESTRICTED TO	-
------	----	-----------	---	------------	-----------	---------------	---

CUSTOMER DRAWING SCALE 1:1 SHEET 1 OF 2 REV A

4

3

2

1

THIS DRAWING IS UNPUBLISHED.

RELEASED FOR PUBLICATION

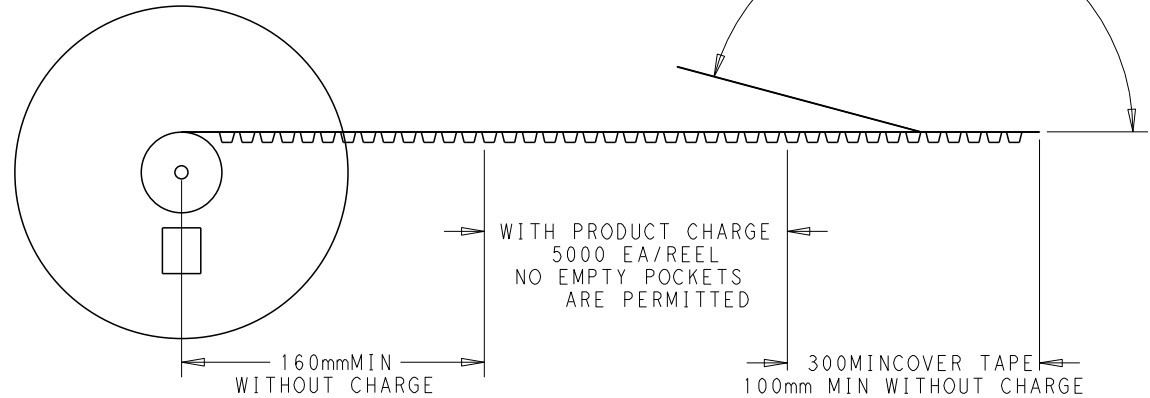
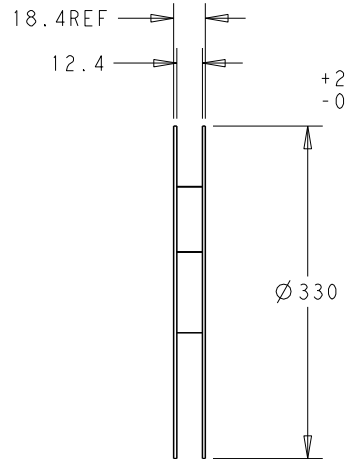
04MAR2004

© COPYRIGHT 04MAR2004 BY -

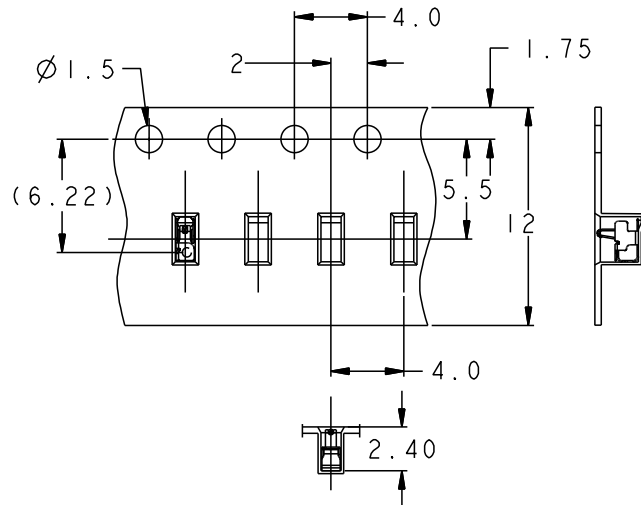
ALL RIGHTS RESERVED.

REVISIONS

P	LTR	DESCRIPTION	DATE	DWN	APVD



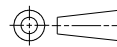
→ DIRECTION OF TOP OF REEL



PACKAGE FOR REFERENCE

THIS DRAWING IS A CONTROLLED DOCUMENT.

DIMENSIONS:  
mm



MATERIAL  
SEE NOTE

TOLERANCES UNLESS OTHERWISE SPECIFIED:  
± 0.2

0-PLC ±  
1-PLC ±0.1  
2-PLC ±0.01  
3-PLC ±0.001  
4-PLC ±0.0001  
ANGLES ±

FINISH  
SEE NOTE

DWN 12JUL2016  
CHK JONE JI  
WENKE HE  
APVD 12JUL2016  
WENKE HE

PRODUCT SPEC  
APPLICATION SPEC

WEIGHT

NAME

SPRING FINGER 2.3H

SIZE

CAGE CODE

DRAWING NO

RESTRICTED TO

A3

-

©=2306454

-

CUSTOMER DRAWING

SCALE 1:5

SHEET 2 OF 2

REV A



TE Connectivity

## X-ON Electronics

Largest Supplier of Electrical and Electronic Components

*Click to view similar products for [EMI Gaskets, Sheets, Absorbers & Shielding](#) category:*

*Click to view products by [TE Connectivity](#) manufacturer:*

Other Similar products are found below :

[8101010140](#) [8563-0090-89](#) [1194-7.7X10](#) [1245-34"X18YD](#) [1267](#) [1345-3/8x18yrd](#) [1380-2"X8"](#) [1554907-1](#) [2320002000](#) [2320014700](#)  
[SG293037DS](#) [ST005PCN50](#) [55005107](#) [38M4040AA0606](#) [46J5N02020.NN00](#) [1125-8X10](#) [1126X1"](#) [1170-3/4X18YDS](#) [1170-7.7x10](#) [1183-](#)  
[12"X18YD](#) [6-34T-BD-0.315](#) [SG125187D-24](#) [SG125250R-24](#) [SG187375R-24](#) [SG284050DS](#) [8402010540](#) [KIT TECH CLIP](#) [1194](#) [10-40450-](#)  
[28S](#) [1245](#) [1267-1/2"x18yd](#) [46J8501020.NN00](#) [1170-1/4"x18yd](#) [AL-36FR-1x54.5](#) [3013310A](#) [1194X1"](#) [3020604](#) [3021302](#) [3031313](#) [260709](#)  
[3021310](#) [6-34UT-070-BD-16](#) [303076048](#) [46J5N03020.NN00](#) [30206025](#) [30395641](#) [3030403](#) [3690103020](#) [HNY-LT15CU4241](#) [1170-](#)  
[3/8"x18yd](#)