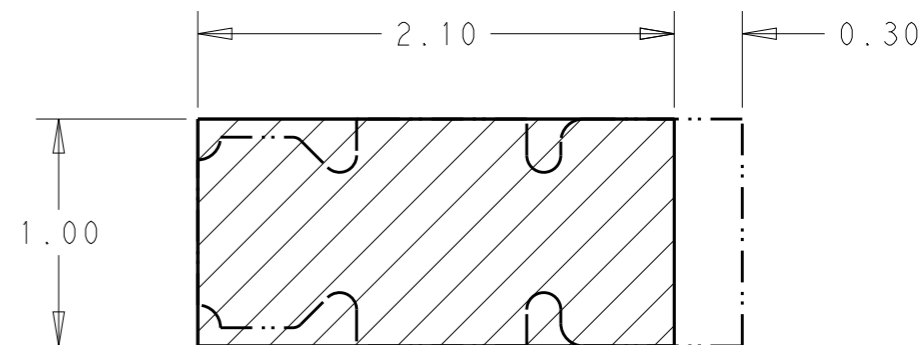
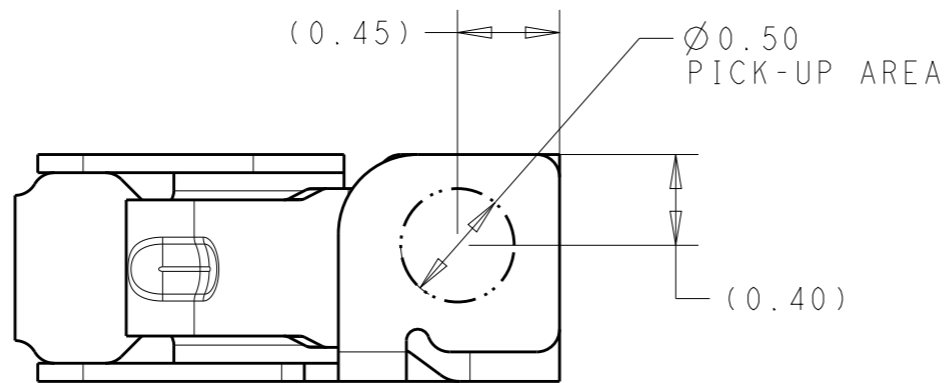


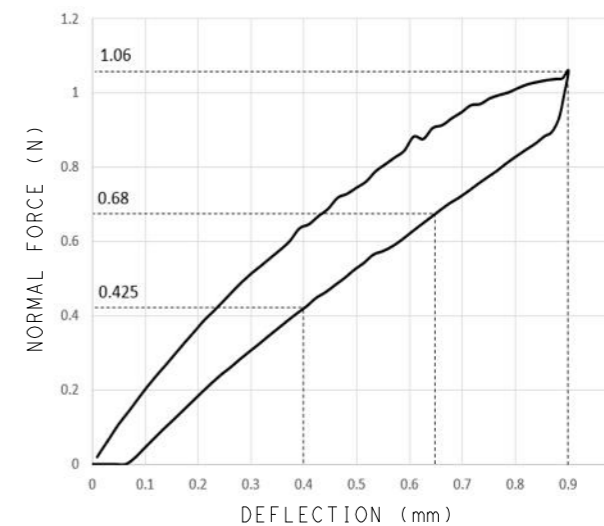
REVISIONS

P	LTR	DESCRIPTION	DATE	DWN	APVD
	A	REVISED	02SEP2016	J. J	W. H

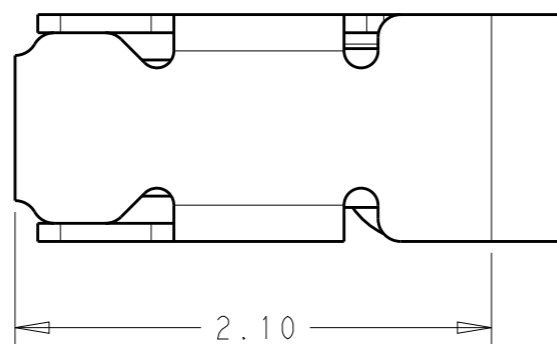
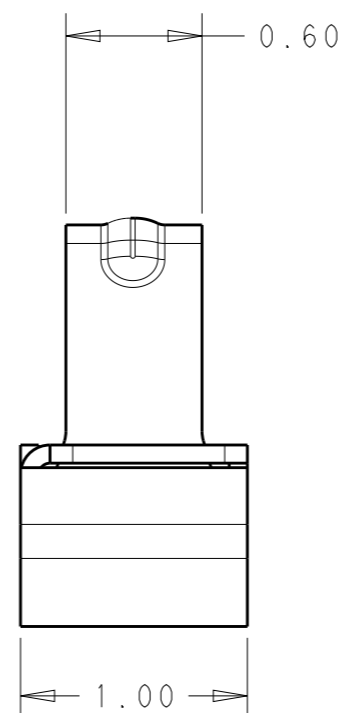
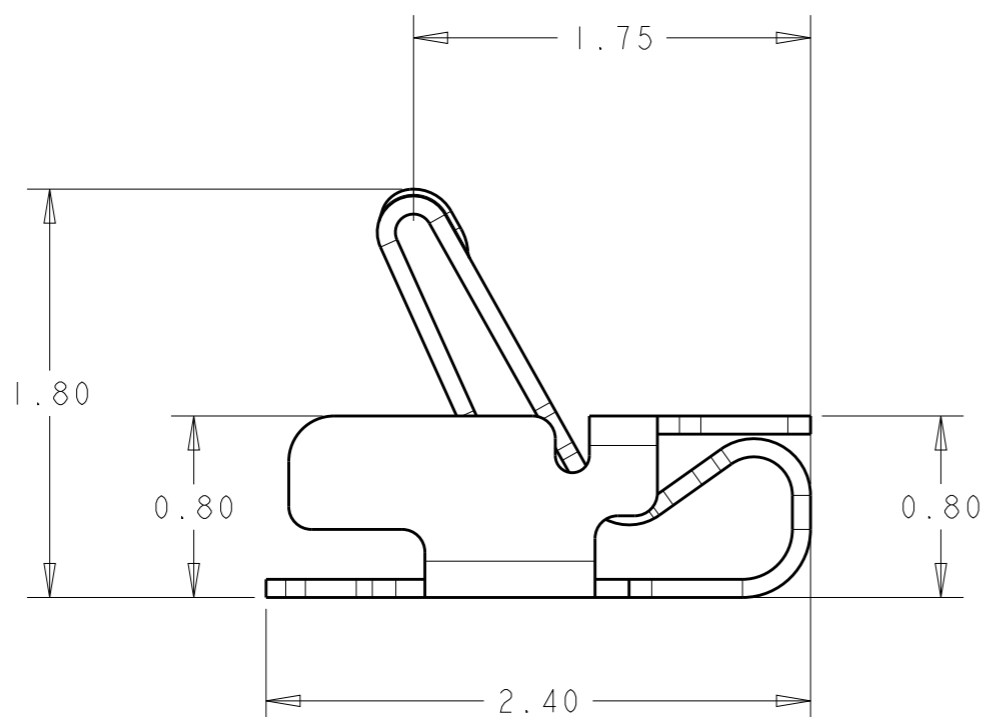
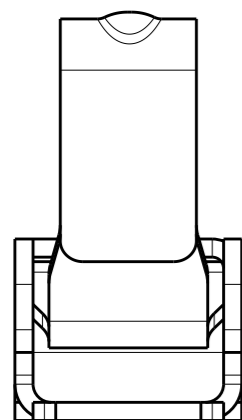


PRODUCT PROFILE
 REFERENCE PCB LAYOUT
 TOLERANCE ±0.05

NORMAL FORCE CURVE

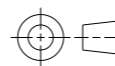


- 1 PART NUMBER: 2306654-3
- 2 MATERIAL: STAINLESS STEEL, THICKNESS=0.08MM.
- 3 PLATING: 2um MIN. NICKEL UNDERLAYER ALL OVER
0.10um MIN. GOLD ON CONTACT SURFACE
GOLD FLASH ON SOLDERING SURFACE
- 4 PICK AND PLACE SURFACE Ø0.5MM.
- 5 WORKING RANGE 1.15±0.25mm.



THIS DRAWING IS A CONTROLLED DOCUMENT.

DIMENSIONS:
mm



TOLERANCES UNLESS OTHERWISE SPECIFIED:
±0.2

Ø PLC	±
1 PLC	±0.1
2 PLC	±0.01
3 PLC	±0.001
4 PLC	±0.0001
ANGLES	±

MATERIAL
SEE NOTE

FINISH
SEE NOTE

DWN JONE JI 12JUL2016

CHK WENKE HE 12JUL2016

APVD WENKE HF 12JUL2016

PRODUCT SPEC

108-115120

APPLICATION SPEC

-

WEIGHT

-

CUSTOMER DRAWING



TE Connectivity

NAME
SPRING FINGER 1.8H

-

SIZE

A3

CAGE CODE

-

DRAWING NO

©-2306654

RESTRICTED TO

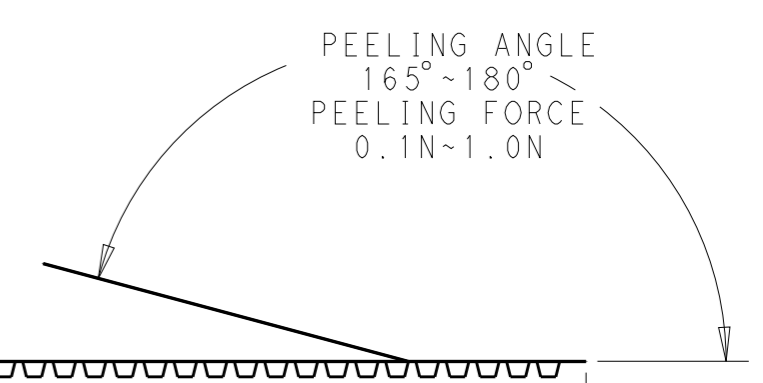
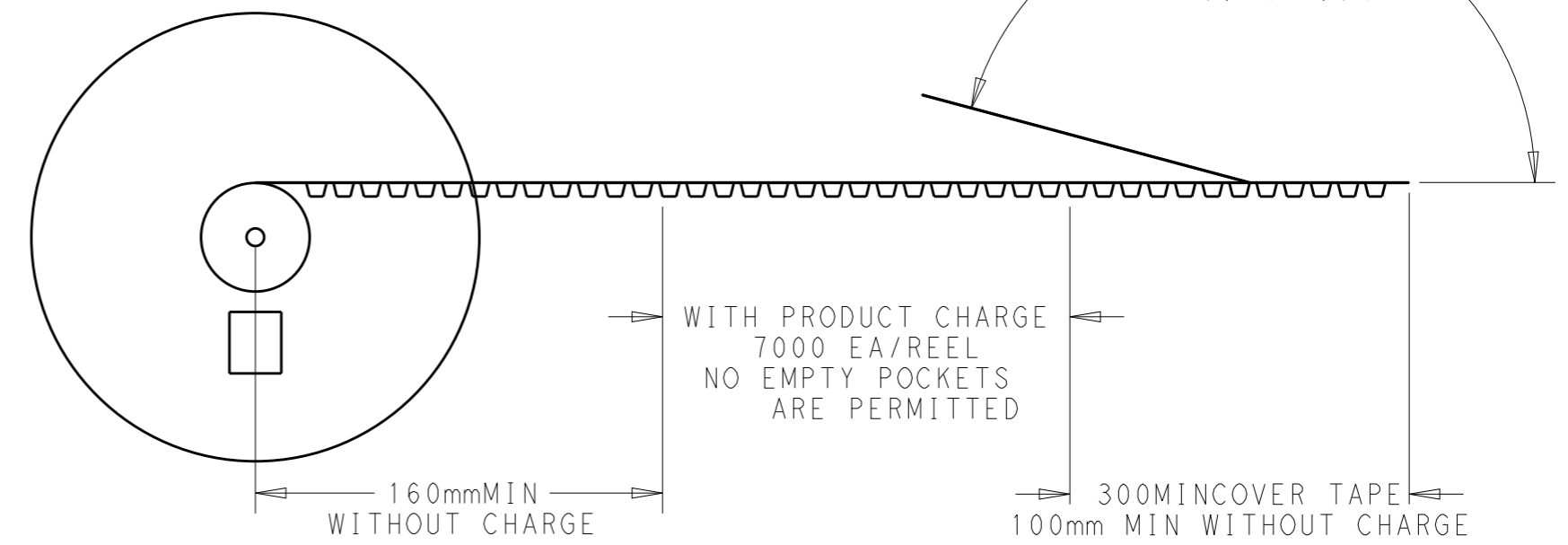
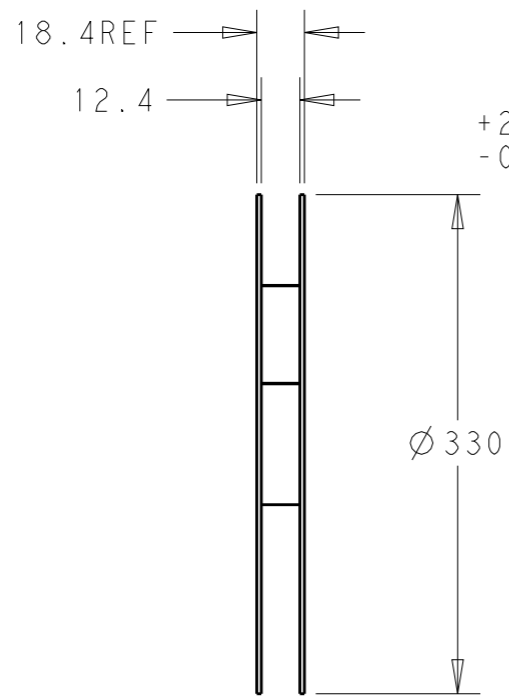
-

SCALE 20:1

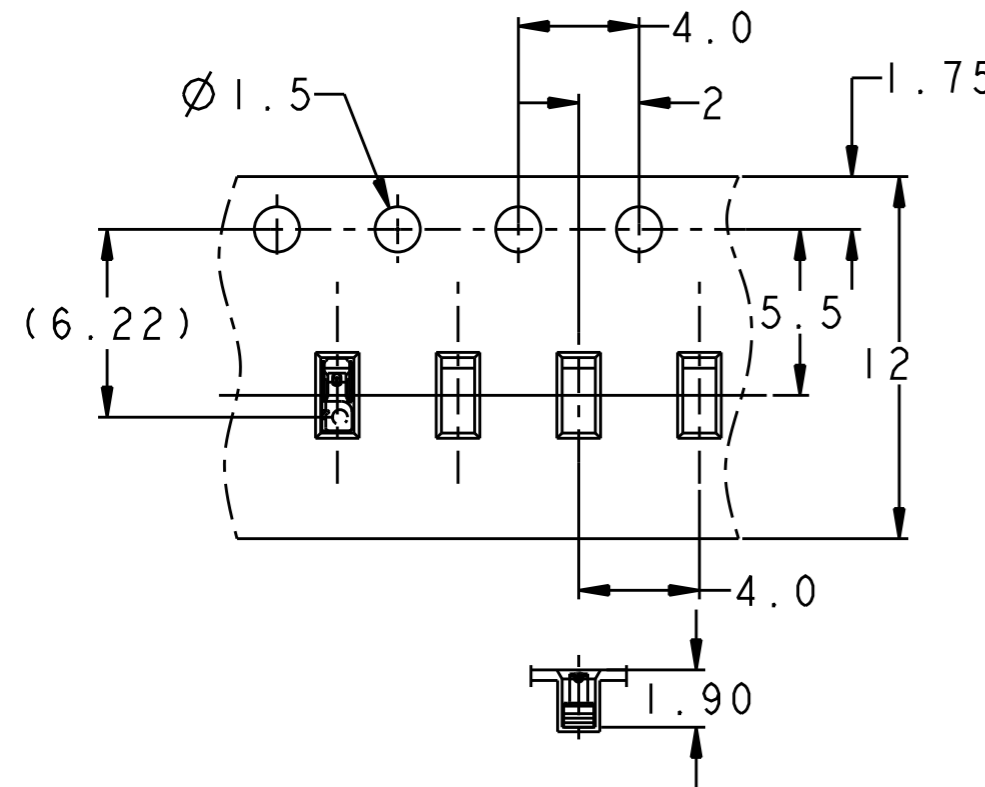
SHEET 1 OF 2

REV A


P	LTR	DESCRIPTION	DATE	DWN	APVD



➔ DIRECTION OF TOP OF REEL



PACKAGE FOR REFERENCE

THIS DRAWING IS A CONTROLLED DOCUMENT.		DWN JONE JI 12JUL2016	 TE Connectivity	
DIMENSIONS: mm		CHK WENKE HE 12JUL2016		
TOLERANCES UNLESS OTHERWISE SPECIFIED: ±0.2		APVD WENKE HF 12JUL2016	NAME -	
0 PLC ±		PRODUCT SPEC -	SPRING FINGER 1.8H	
1 PLC ±0.1		APPLICATION SPEC -	SIZE A3	RESTRICTED TO -
2 PLC ±0.01		WEIGHT -	CAGE CODE -	DRAWING NO C-2306654
3 PLC ±0.001		CUSTOMER DRAWING	SCALE 1:1	SHEET 2 OF 2
4 PLC ±0.0001				REV A
ANGLES ±				
FINISH SEE NOTE				

X-ON Electronics

Largest Supplier of Electrical and Electronic Components

Click to view similar products for [EMI Gaskets, Sheets, Absorbers & Shielding](#) category:

Click to view products by [TE Connectivity](#) manufacturer:

Other Similar products are found below :

[8101010140](#) [8563-0090-89](#) [1194-7.7X10](#) [1245-34"X18YD](#) [1267](#) [1345-3/8x18yrd](#) [1554907-1](#) [2320002000](#) [2320014700](#) [SG293037DS](#)
[ST005PCN50](#) [55005107](#) [38M4040AA0606](#) [46J5N02020.NN00](#) [1125-8X10](#) [1126X1"](#) [1170-3/4X18YDS](#) [1170-7.7x10](#) [1183-12"X18YD](#) [6-](#)
[34T-BD-0.315](#) [SG125187D-24](#) [SG125250R-24](#) [SG187375R-24](#) [SG284050DS](#) [8402010540](#) [KIT TECH CLIP](#) [1194](#) [10-40450-28S](#) [1245](#)
[1267-1/2"x18yd](#) [46J8501020.NN00](#) [1170-1/4"x18yd](#) [AL-36FR-1x54.5](#) [3013310A](#) [1194X1"](#) [3020604](#) [3021302](#) [3031313](#) [260709](#) [3021310](#) [6-](#)
[34UT-070-BD-16](#) [303076048](#) [46J5N03020.NN00](#) [30206025](#) [30395641](#) [3030403](#) [3690103020](#) [HNY-LT15CU4241](#) [46X7503020.NN00](#)
[46W5E02520.NN00](#)