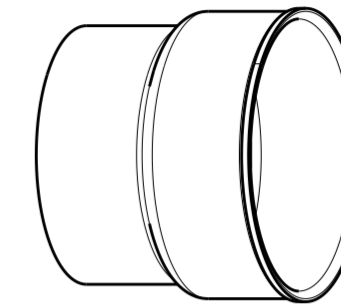
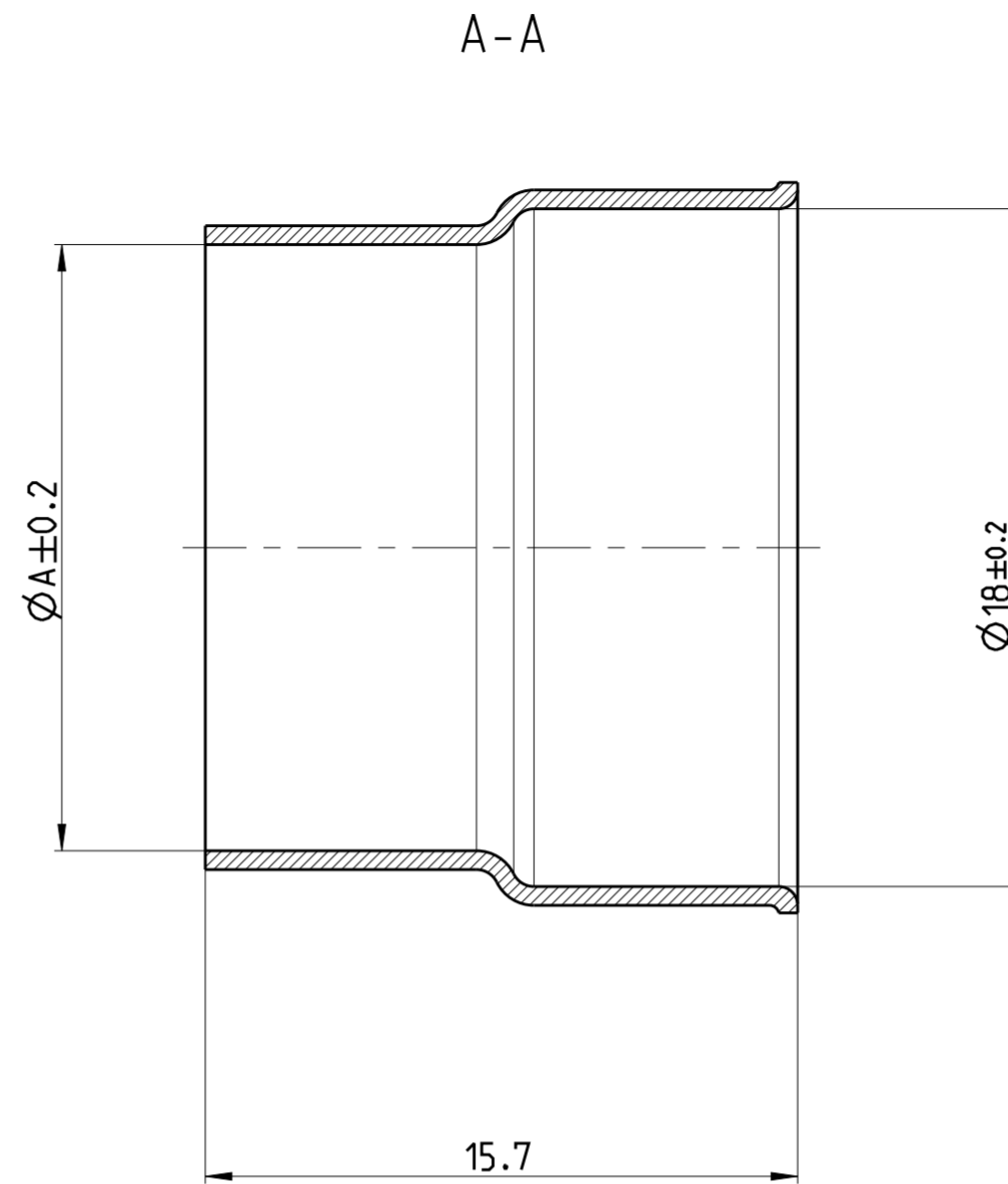
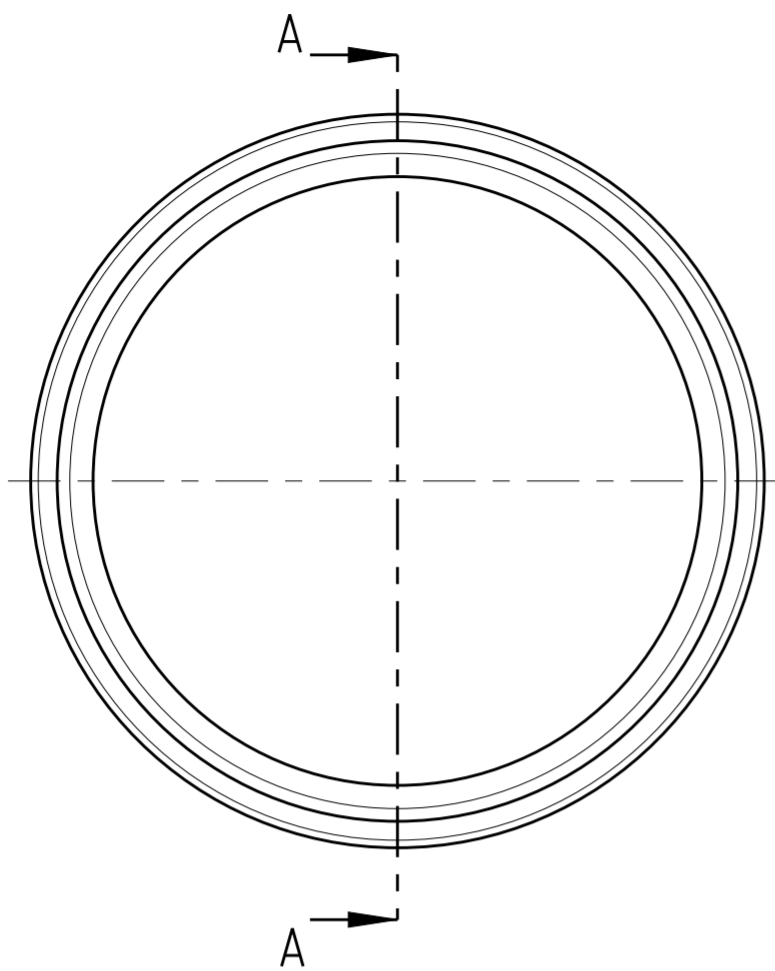


THIS DRAWING IS UNPUBLISHED. RELEASED FOR PUBLICATION  
 © COPYRIGHT copyright\_date BY - ALL RIGHTS RESERVED.


REVISIONS					
P	LTR	DESCRIPTION	DATE	DWN	APVD
A		RELEASED	18SEP17	JL	IY
A1		REVISED (ECR-19-005077)	03APR19	Z.Z	E.J



NOTES

- 1 PACKAGING: BULK PACKAGING INTO PLASTIC BAG AND SHIPPING BOX

AI	2307011-6	SHIELD CRIMP FERRULE.90 DEG	12.5	<sup>25</sup> [ACC. LV216]	STAINLESS STEEL	BLANK
AI	2307011-5	SHIELD CRIMP FERRULE.90 DEG	14.7	<sup>35</sup> [ACC. LV216]	STAINLESS STEEL	BLANK
AI	2307011-4	SHIELD CRIMP FERRULE.90 DEG	16.1	<sup>50</sup> [ACC. LV216]	STAINLESS STEEL	BLANK
	2307011-3	SHIELD CRIMP FERRULE.90 DEG	12.5	<sup>25</sup> [ACC. LV216]	Cu ALLOY	TIN PLATING
	2307011-2	SHIELD CRIMP FERRULE.90 DEG	14.7	<sup>35</sup> [ACC. LV216]	Cu ALLOY	TIN PLATING
	2307011-1	SHIELD CRIMP FERRULE.90 DEG	16.1	<sup>50</sup> [ACC. LV216]	Cu ALLOY	TIN PLATING
	TE PART NO.	DESCRIPTION	DIMENSION A	FOR WIRE SIZE [mm <sup>2</sup> ]	MATERIAL	SURFACE

THIS DRAWING IS A CONTROLLED DOCUMENT.		DWN J.LI 31AUG2016	 TE Connectivity	
DIMENSIONS: mm		CHK E. JIANG 16SEP17		
TOLERANCES UNLESS OTHERWISE SPECIFIED: ±0.2		APVD J.YIN 18SEP2017	NAME SHIELD CRIMP FERRULE.90 DEG	
0-PLC ± 1-PLC ± 2-PLC ± 3-PLC ± 4-PLC ±		PRODUCT SPEC	SIZE CAGE CODE DRAWING NO RESTRICTED TO	
ANGLES ±° FINISH		APPLICATION SPEC	A2 00779 C-2307011	
MATERIAL		WEIGHT (3.5 g)	SCALE 5:1 SHEET 1 OF 1 REV A1	
finish_spec_2		CUSTOMER DRAWING		

## X-ON Electronics

Largest Supplier of Electrical and Electronic Components

*Click to view similar products for [RF Connector Accessories](#) category:*

*Click to view products by [TE Connectivity](#) manufacturer:*

Other Similar products are found below :

[89674-0712](#) [FERRULE-174](#) [R125802000](#) [R141802000](#) [R141842000](#) [R141862000W](#) [R280752000](#) [R280907000](#) [RFI75-3](#) [RFI77-14](#)  
[AX102907](#) [HP-500](#) [2098-3251-94](#) [KA-81-05](#) [89674-0805](#) [FERRULE-223](#) [202102-11](#) [213337-1](#) [R280468000](#) [R280510000](#) [RFI25-12-D3](#)  
[RFI25-5](#) [RFI75-2-D2](#) [RFI77-6](#) [RFI97-14](#) [3550 04 K00](#) [360HS001M2508M6](#) [4-1532137-4](#) [HRM-514S\(40\)](#) [XC0600B-03P](#) [5-21085-0](#)  
[111062-0490](#) [112122-SOD-LUG](#) [IPP-2014](#) [RFI95-14-D2](#) [LPTW2TP-124](#) [MX-913/U\(45\)](#) [1736-1511-075](#) [32Z112-000F](#) [000-78400](#) [78\\_Z-7-](#)  
[3-4](#) [56Z112-000N](#) [RFI75-2-D3](#) [32Z111-000L5](#) [RG6WRO](#) [47140003A](#) [RFI75-2-D4](#) [RFI25-3-D3](#) [53919000B](#) [R280469010](#)