

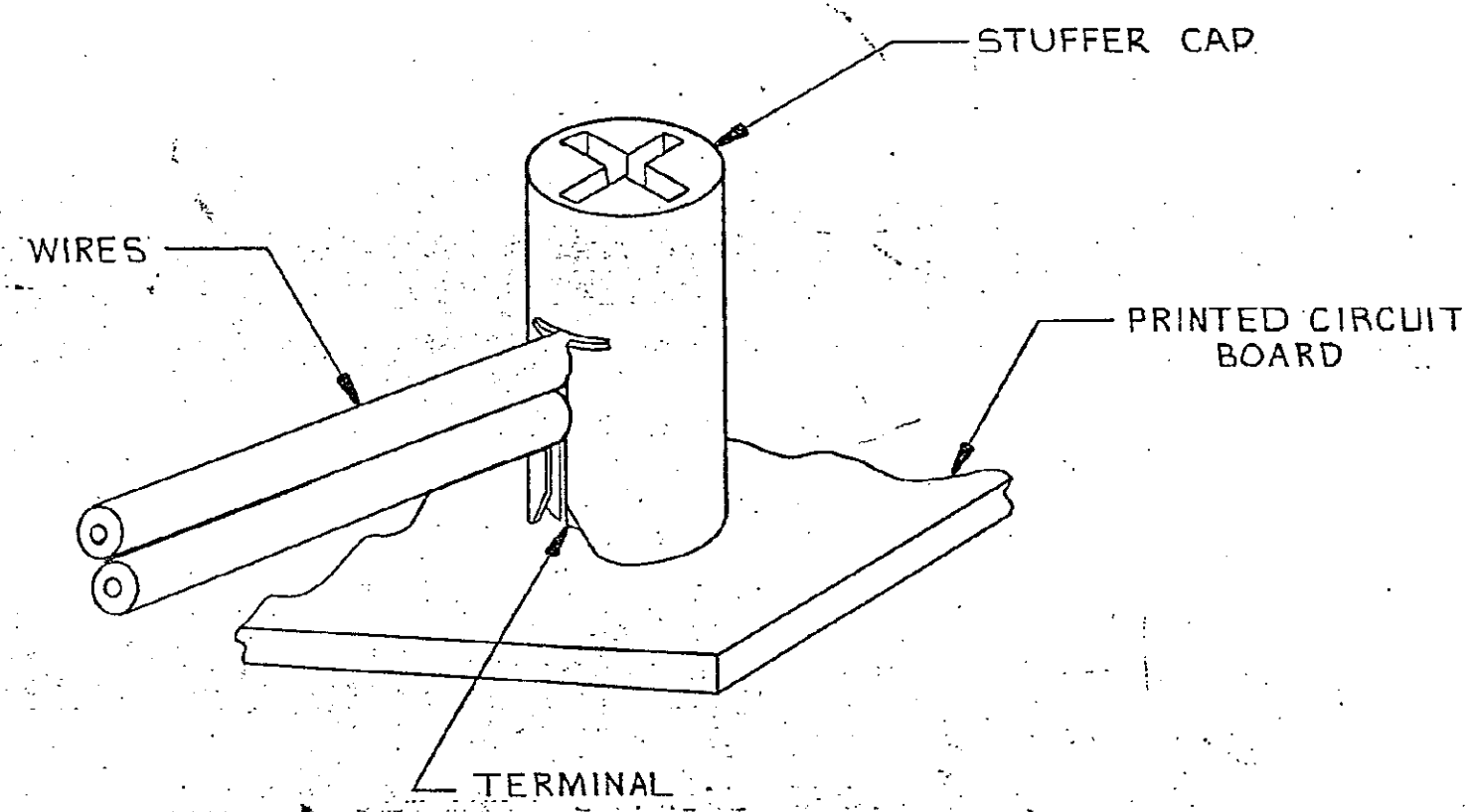
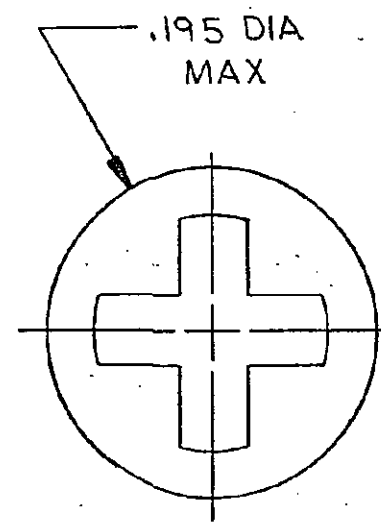
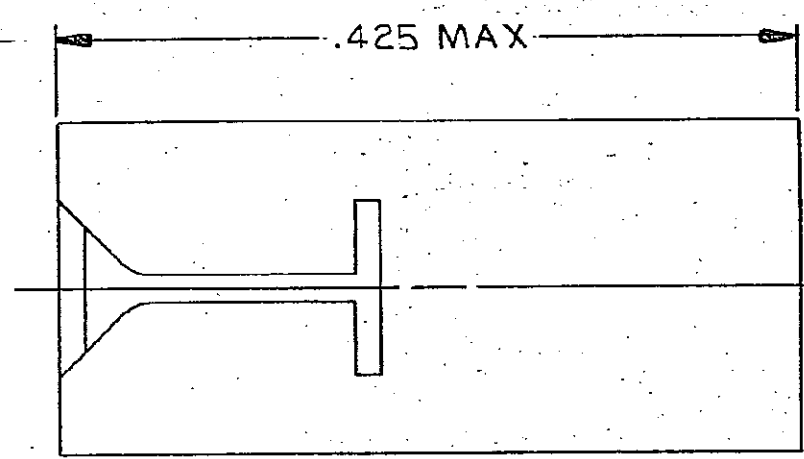
DRAWING MADE IN THIRD ANGLE PROJECTION

LOC AA DIST 27

© COPYRIGHT 1978 BY AMP INCORPORATED, HARRISBURG, PA.
ALL INTERNATIONAL RIGHTS RESERVED. AMP INCORPORATED PRODUCTS
COVERED BY U. S. AND FOREIGN PATENTS AND/OR PATENTS PENDING.

REVISIONS						
P	F	ZONE	LTR	DESCRIPTION	DATE	APPROVED
		E		OBS: 5/11/EC 0502-0222-96	5/11/77	03 RD

1. RECOMMENDED INSERTION TOOL: NO. 2 PHILLIPS SCREWDRIVER.



DETAIL A
FOR REFERENCE ONLY

LOOSE PIECE	NATURAL	552699	24-28	-3
	YELLOW		18-22	
PACKAGING	COLOR	TERM PART NO.	WIRE GAGE	PART NO

UNLESS OTHERWISE SPECIFIED DIMENSIONS ARE IN INCHES. TOLERANCES ON: DECIMALS ± ANGLES ±	CONTRACT NO		AMP INCORPORATED Harrisburg, Pa.	
	DR	12/29/78		
MATERIAL	CHK	1/2/79	CAP, STUFFER, .125 DIA	
NYLON 6/6	APPD	1-2-79		
FINISH	APPD		SIZE	CODE IDENT NO
	DSGN APPD		C	00779
	OTHER APPD	1/2/79	DRAWING NO.	230707
			SCALE	10-1
			SHEET	1 OF 1

A WAS 1222-77-27

230707

CUSTOMER DRAWING

X-ON Electronics

Largest Supplier of Electrical and Electronic Components

Click to view similar products for [Terminals](#) category:

Click to view products by [TE Connectivity](#) manufacturer:

Other Similar products are found below :

[00-054007-01074-6](#) [00-054007-70206-1](#) [00-054007-70210-8](#) [00-054007-70217-7](#) [00-054007-70226-9](#) [00-054007-70228-3](#) [00-054007-70248-1](#) [00-054007-70256-6](#) [00-054007-70301-3](#) [00-054007-70316-7](#) [0-0320562-0](#) [00-054007-49560-4](#) [00-054007-70209-2](#) [00-054007-70225-2](#) [00-054007-70227-6](#) [00-054007-70231-3](#) [00-054007-70241-2](#) [00-054007-70242-9](#) [00-054007-70244-3](#) [00-054007-70246-7](#) [00-054007-70263-4](#) [00-054007-70288-7](#) [00-054007-70290-0](#) [00-054007-70300-6](#) [00-054007-70304-4](#) [01-2065-1-0216](#) [01-2900-1-04412](#) [00581P0075](#) [600TS-10](#) [60205-1](#) [604200-1](#) [605601-1](#) [60598-1-CUT-TAPE](#) [61314-6-C](#) [61810-3](#) [61-S](#) [61-SN](#) [626-0194](#) [62-NBM-A](#) [62-SN](#) [62-SP](#) [63-S](#) [640179-1](#) [M55155/059I03](#) [M55155/079C01](#) [M55155/099H02](#) [M55155/109H01](#) [M55155/109H02](#) [M55155/12XH05](#) [M55155/16XH02](#)