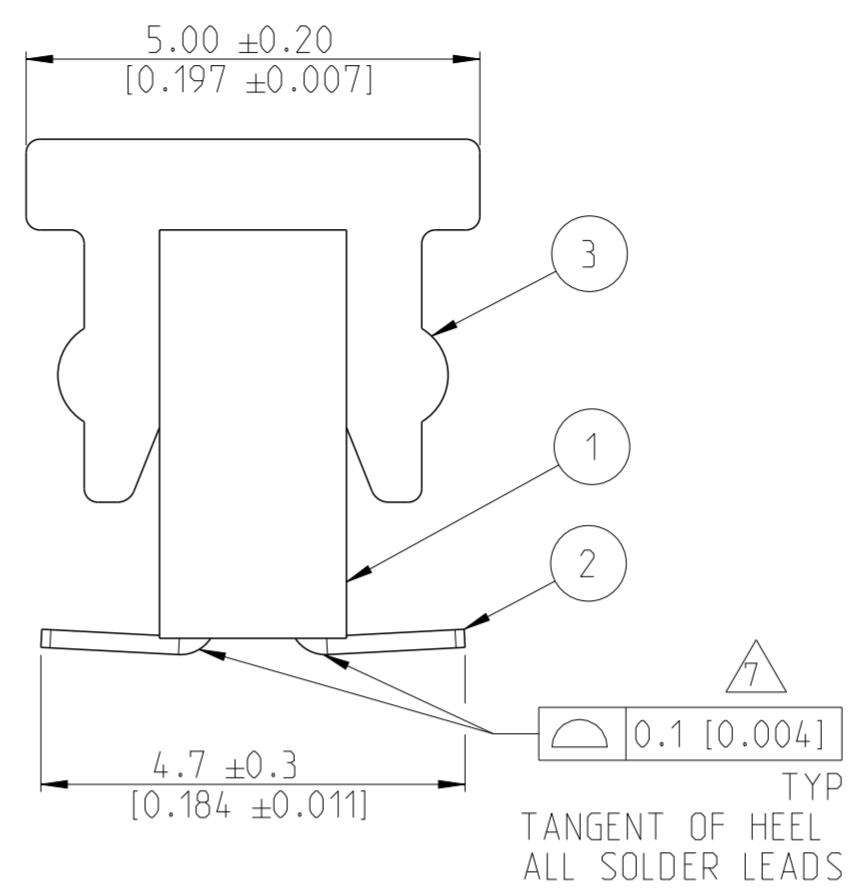
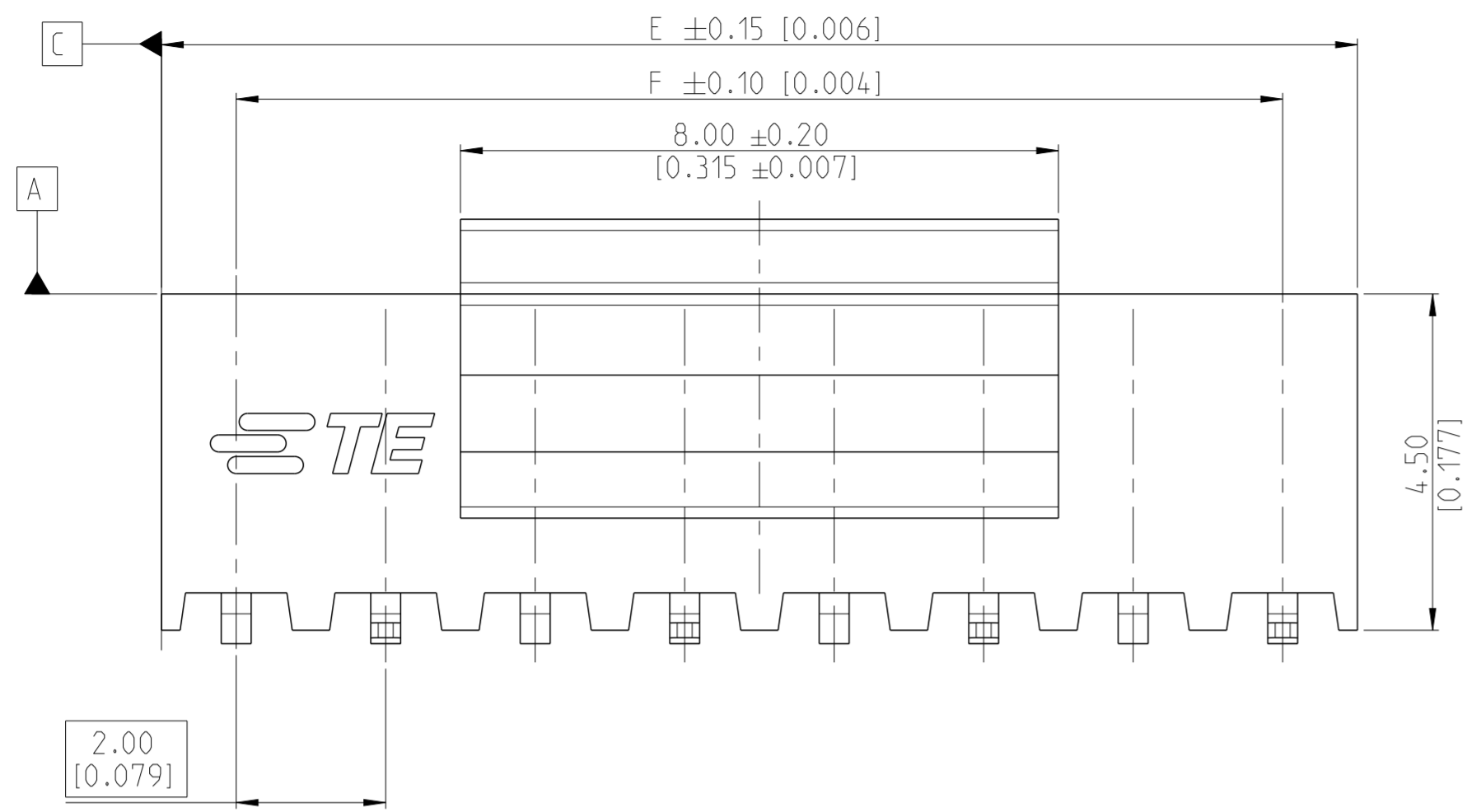


THIS DRAWING IS UNPUBLISHED. RELEASED FOR PUBLICATION 20  
 © COPYRIGHT 20 BY - ALL RIGHTS RESERVED.

REVISIONS					
P	LTR	DESCRIPTION	DATE	DWN	APVD
A		RELEASE GOLD PLATED VERSIONS TO PRODUCTION	03SEP2019	AY	PS
A1		RELEASE TIN PLATED VERSIONS TO PRODUCTION	14APR2020	AY	PS



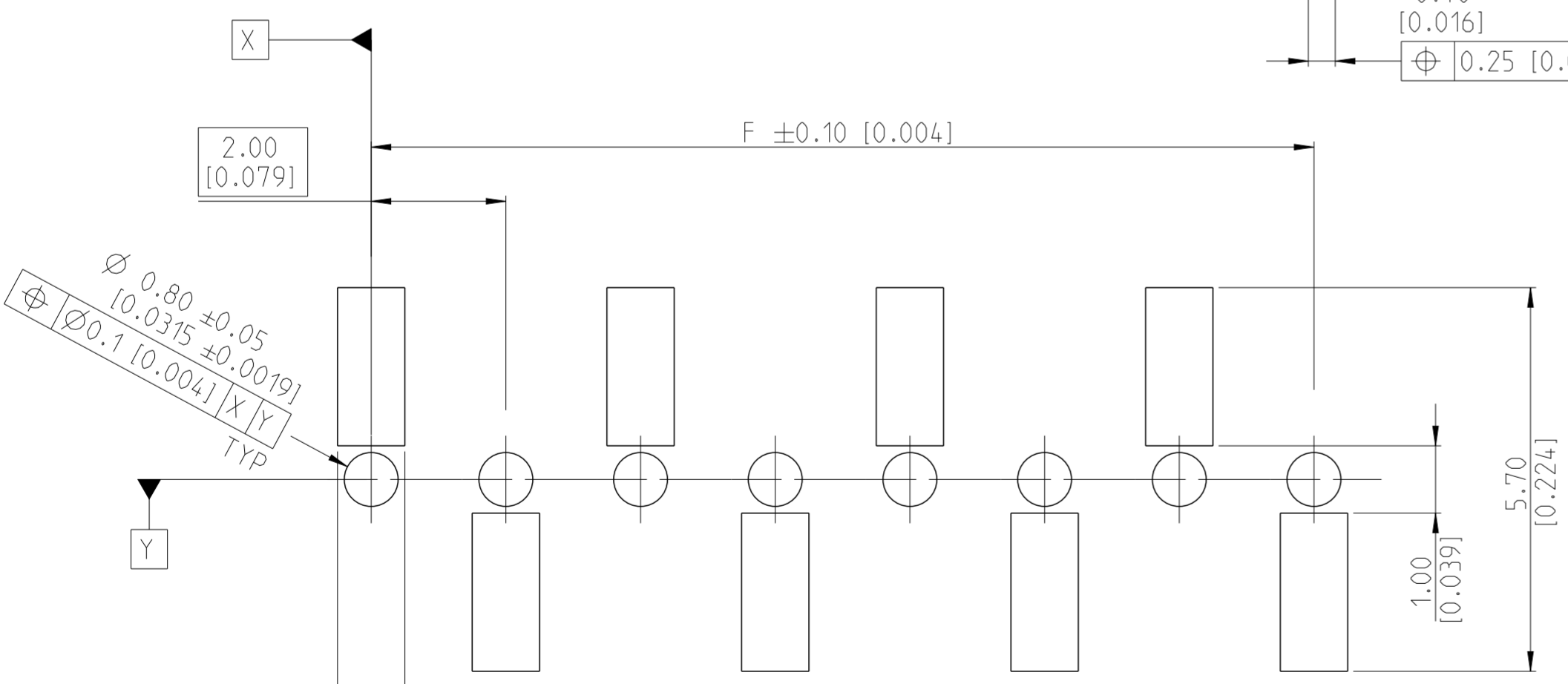
- NOTES:
- 1 MATERIAL: HOUSING & CAP: LCP, UL94 V0, BLACK CONTACT: PHOSPHOR BRONZE, 0.20mm THICK.
  - 2 ALL OVER 3-5µm TIN OVER MIN 1.27µm NICKEL UNDERPLATE
  - 3 CONTACT AREA: MIN 0.1µm GOLD SOLDER TAIL: 3-5µm TIN UNDERPLATING: MIN 1.27µm NICKEL ALL OVER
  - 4 CONTACT AREA: MIN 0.38µm GOLD SOLDER TAIL: 3-5µm TIN UNDERPLATING: MIN 1.27µm NICKEL ALL OVER
  - 5 CONTACT AREA: MIN 0.76µm GOLD SOLDER TAIL: 3-5µm TIN UNDERPLATING: MIN 1.27µm NICKEL ALL OVER
  - 6 N = NO. OF POSITIONS PER CONNECTOR.

"N"	FG P/N	CO-PLANARITY
2 TO 10	-2 TO 1- -0	0.08
11 TO 20	1 - -1 TO 2 - -0	0.10
21 TO 25	2- -1 TO 2- -5	0.15

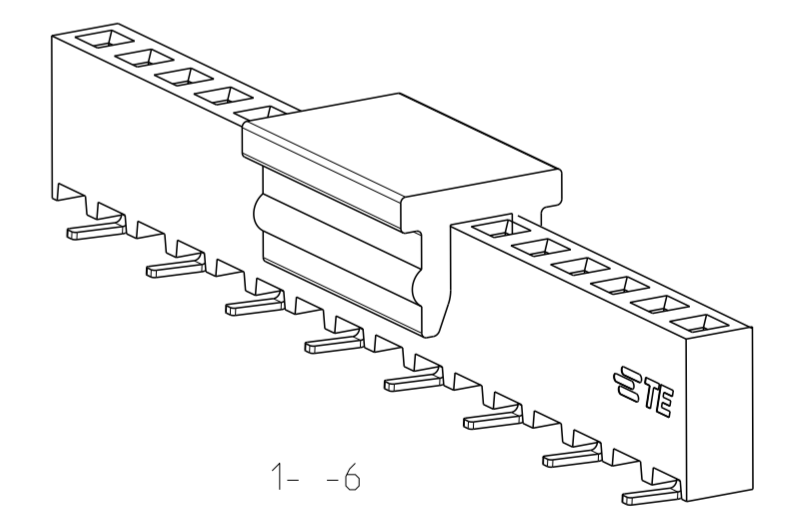
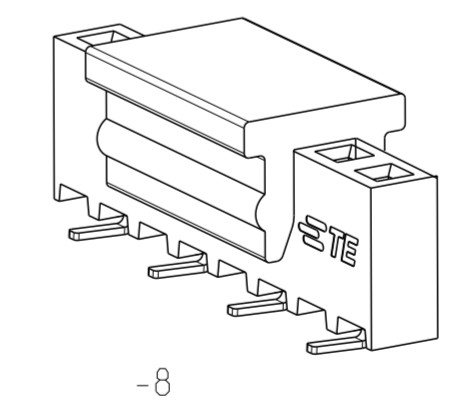
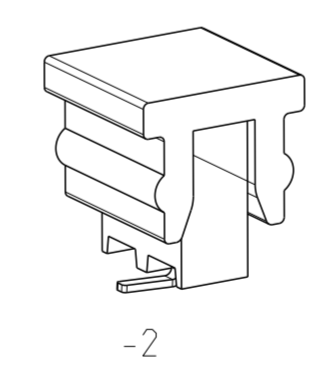
DESCRIPTION	ITEM
CAP	3
CONTACT	2
HOUSING	1



0.40 [0.016]  
 Ø 0.25 [0.0098] M A B C  
 TYP



RECOMMENDED PCB PATTERN

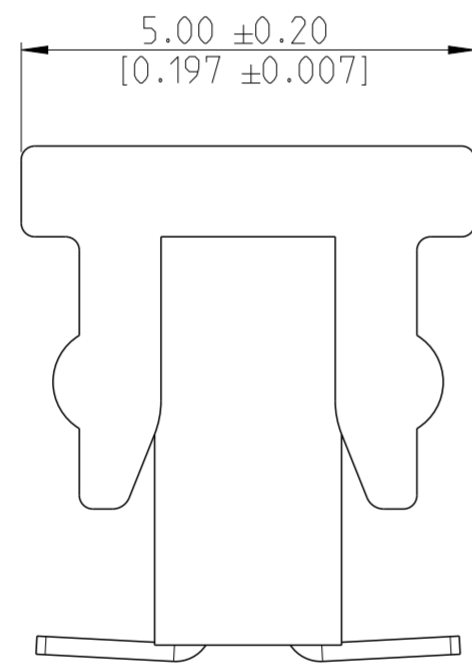
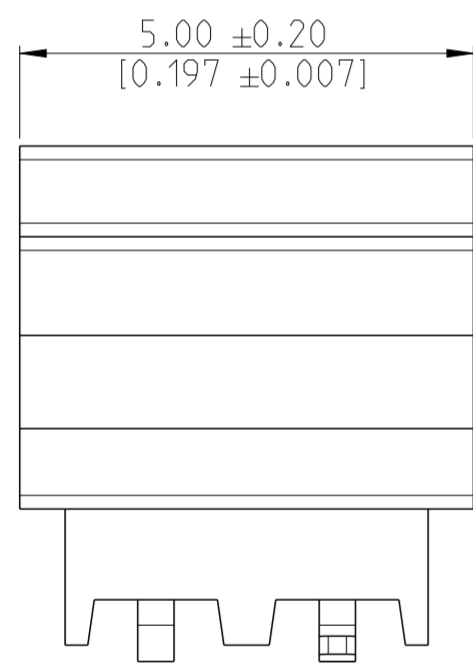


THIS DRAWING IS A CONTROLLED DOCUMENT.

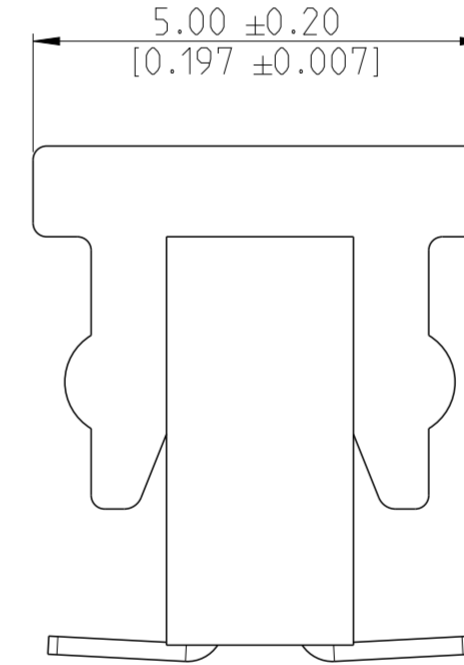
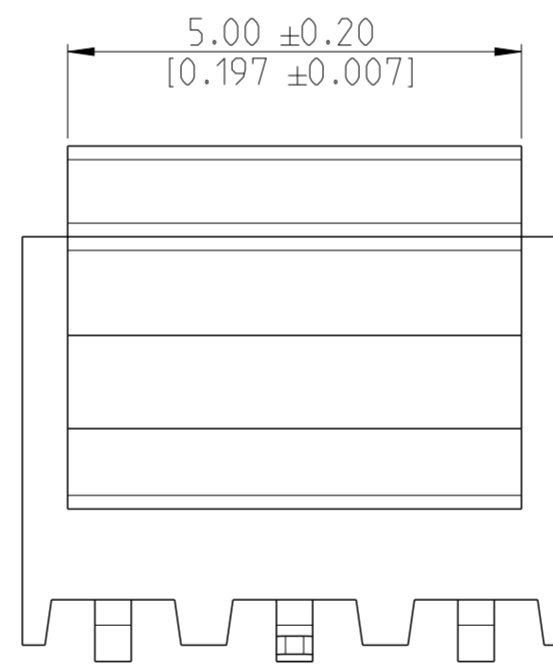
DIMENSIONS: mm [inch]	TOLERANCES UNLESS OTHERWISE SPECIFIED: 0 PLC ± 1 PLC ±0.2 2 PLC ±0.1 3 PLC ± [0.004] 4 PLC ± ANGLES ±2° FINISH	DWN 22NOV2017 SOURAV DAS CHK 21NOV2018 SHARATH S APVD 21NOV2018 PRASHANTH S PRODUCT SPEC 108-64040 APPLICATION SPEC 114-32186 WEIGHT -	TE Connectivity	
MATERIAL SEE NOTES	SEE NOTES	CUSTOMER DRAWING	NAME AMPMODU 2mm BiB RECEPTACLE SINGLE ROW, VERTICAL, DUAL ENTRY SMD	RESTRICTED TO -
		SIZE A2	CAGE CODE 00779	DRAWING NO C-2307812
		SCALE 5:1	SHEET 1 OF 2	REV A1

REVISIONS				
P	LTR	DESCRIPTION	DATE	APVD
		SEE SHEET 1		

MATING SIDE PLATING (FINISH)	BTB RECEPTACLE BASE NUMBERS	
	TAPE & REEL PKG W/ CAP	TUBE PKG W/ CAP
TIN 2	2307812	2314847
GOLD FLASH 0.1 μm 3	2307813	2314848
GOLD 0.38 μm 4	2307814	2314849
GOLD 0.76 μm 5	2307815	2314850



-2



-3

48	50	25	2- -5
46	48	24	2- -4
44	46	23	2- -3
42	44	22	2- -2
40	42	21	2- -1
38	40	20	2- -0
36	38	19	1- -9
34	36	18	1- -8
32	34	17	1- -7
30	32	16	1- -6
28	30	15	1- -5
26	28	14	1- -4
24	26	13	1- -3
22	24	12	1- -2
20	22	11	1- -1
18	20	10	1- -0
16	18	9	-9
14	16	8	-8
12	14	7	-7
10	12	6	-6
8	10	5	-5
6	8	4	-4
4	6	3	-3
2	4	2	-2
DIM "F"	DIM "E"	N	FG PN

THIS DRAWING IS A CONTROLLED DOCUMENT.		DWN SOURAV DAS 22NOV2017	TE Connectivity	
DIMENSIONS: mm [inch]		CHK SHARATH S 21NOV2018		
TOLERANCES UNLESS OTHERWISE SPECIFIED:		APVD PRASHANTH S 21NOV2018	NAME AMPMODU 2mm BTB RECEPTACLE SINGLE ROW, VERTICAL, DUAL ENTRY SMD	
		PRODUCT SPEC 108-64040	SIZE A2	
MATERIAL SEE NOTES		APPLICATION SPEC 114-32186	CAGE CODE 100779	DRAWING NO C-2307812
FINISH SEE NOTES		WEIGHT -	RESTRICTED TO -	SCALE 5:1
		CUSTOMER DRAWING	SHEET 2 OF 2	REV A1

## X-ON Electronics

Largest Supplier of Electrical and Electronic Components

*Click to view similar products for [Board to Board & Mezzanine Connectors](#) category:*

*Click to view products by [TE Connectivity](#) manufacturer:*

Other Similar products are found below :

[589158040000018](#) [MDF7C-18P-2.54DSA\(55\)](#) [FCN-230C068-11](#) [FCN-268F012-G/BD](#) [FCN-268F036-G/BD](#) [FCN-268M012-G/0D](#) [FCN-268M024-G/1D](#) [FCN-723J004/1](#) [MIS-048-01-F-D-DP-K](#) [832-10-034-10-001000](#) [FX4C-80S-1.27DSA](#) [FCN-214Q030-G/0](#) [FCN-234P048-G/0](#) [FCN-235D050-G/C](#) [210-93-314-41-105000](#) [2-22603-0](#) [MDF7-40DP-2.54DSA\(55\)](#) [AXG720047](#) [5031084030](#) [MIT-114-03-F-D-K](#) [55323-1519](#) [DF33-2P-3.3DSA\(24\)](#) [YFT-20-05-H-03-SB-K](#) [503308-3040](#) [026-6203-PDB](#) [027-6203-PDB](#) [069159702701000](#) [10123981-102LF](#) [101A10019X](#) [55650-0588-C](#) [68682-310LF](#) [68684-306](#) [75140-7012](#) [87471-650](#) [YTW-30-07-H-Q-410-140](#) [194261-1](#) [FCN-268F024-G0D](#) [10124054-515LF](#) [68685-603](#) [8-1616154-3](#) [MIS-019-01-F-D](#) [FCN-268M024-G/3D](#) [20021832-06016C1LF](#) [KX15-20KLDL-E1000E](#) [MDF7-16DP-2.54DSA\(55\)](#) [AXE810124](#) [FCN-214J100-G/0](#) [FCN-230C068-E/S](#) [AXE812124](#) [AXE816124](#)