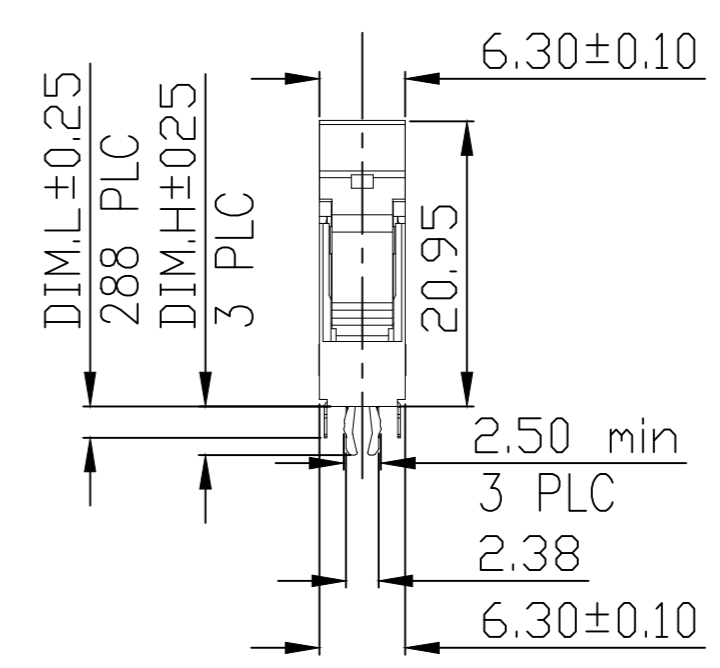
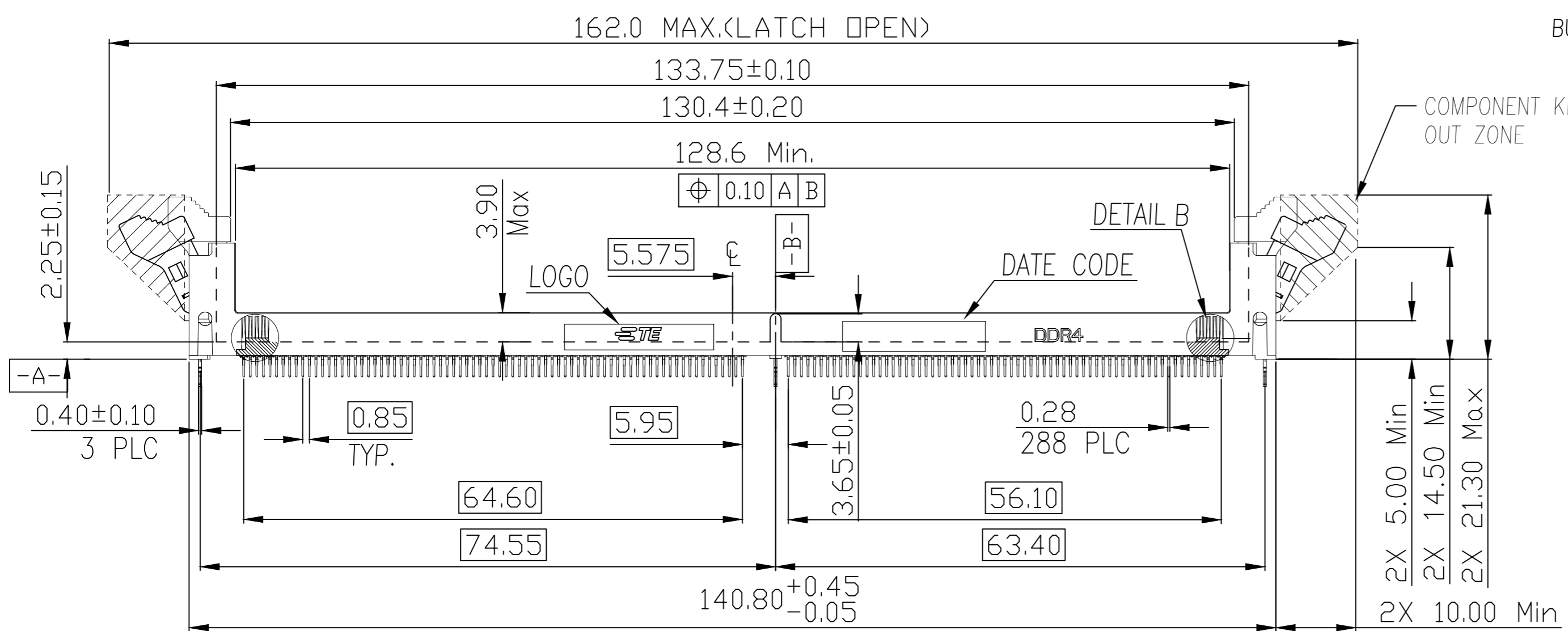
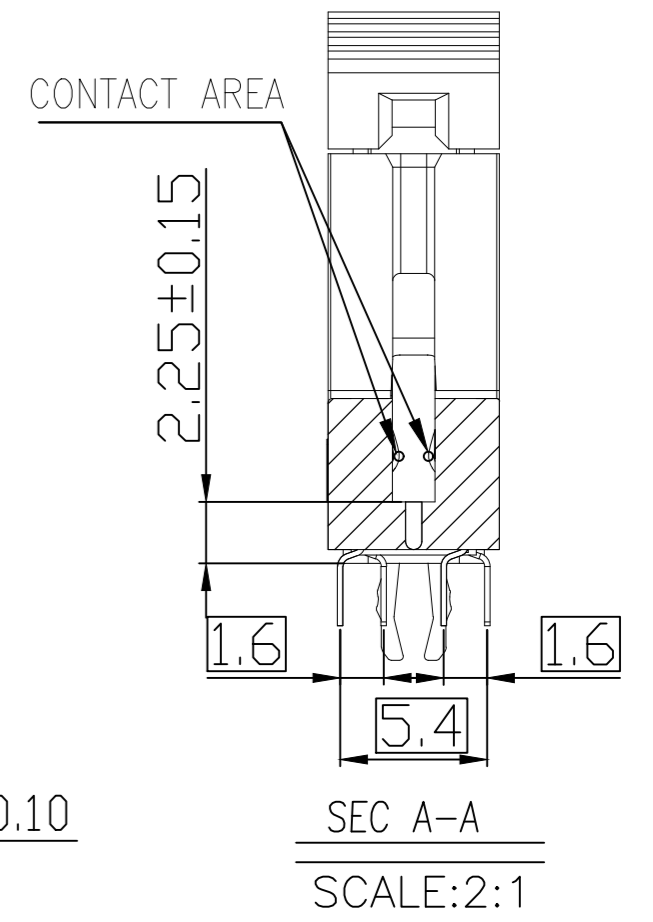
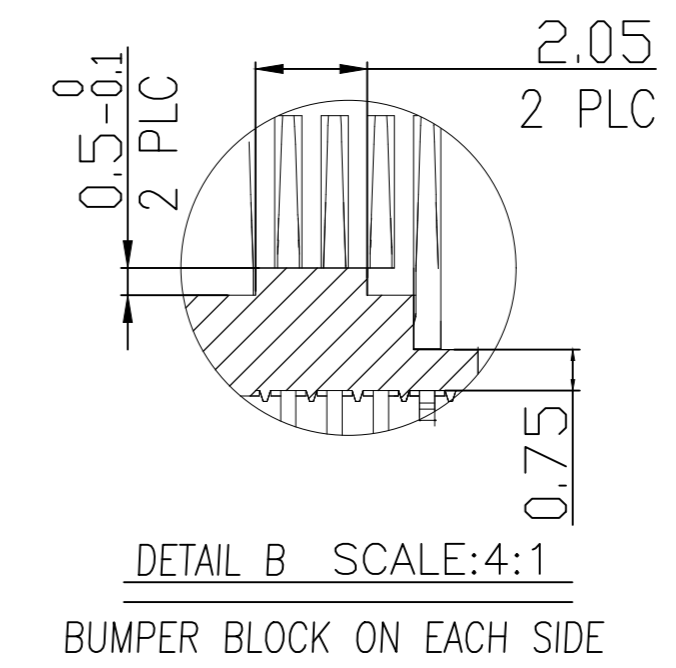
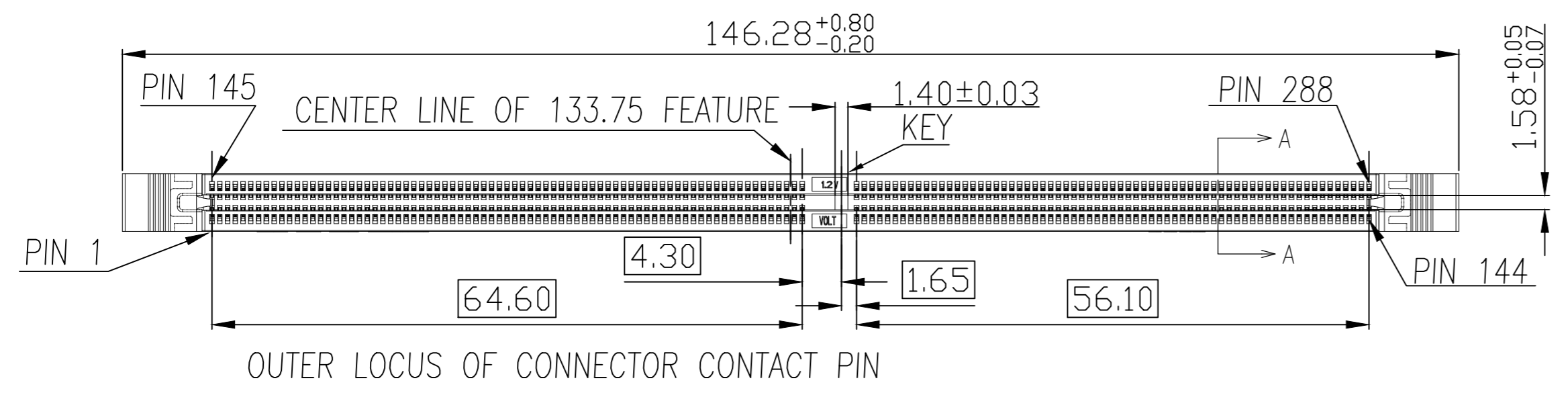


REVISIONS					
P	LTR	DESCRIPTION	DATE	DWN	APVD
29		REVISED PER ECR-19-011318	14OCT2019	D.Z	S.L

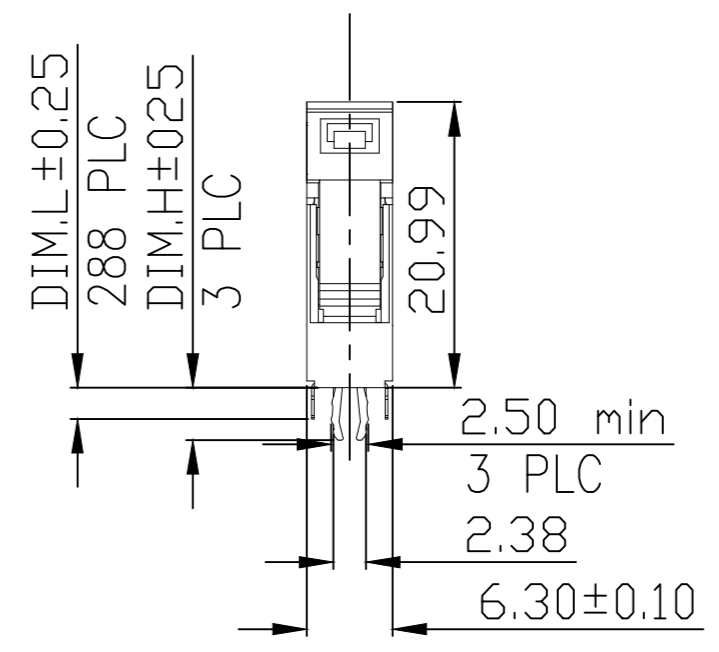
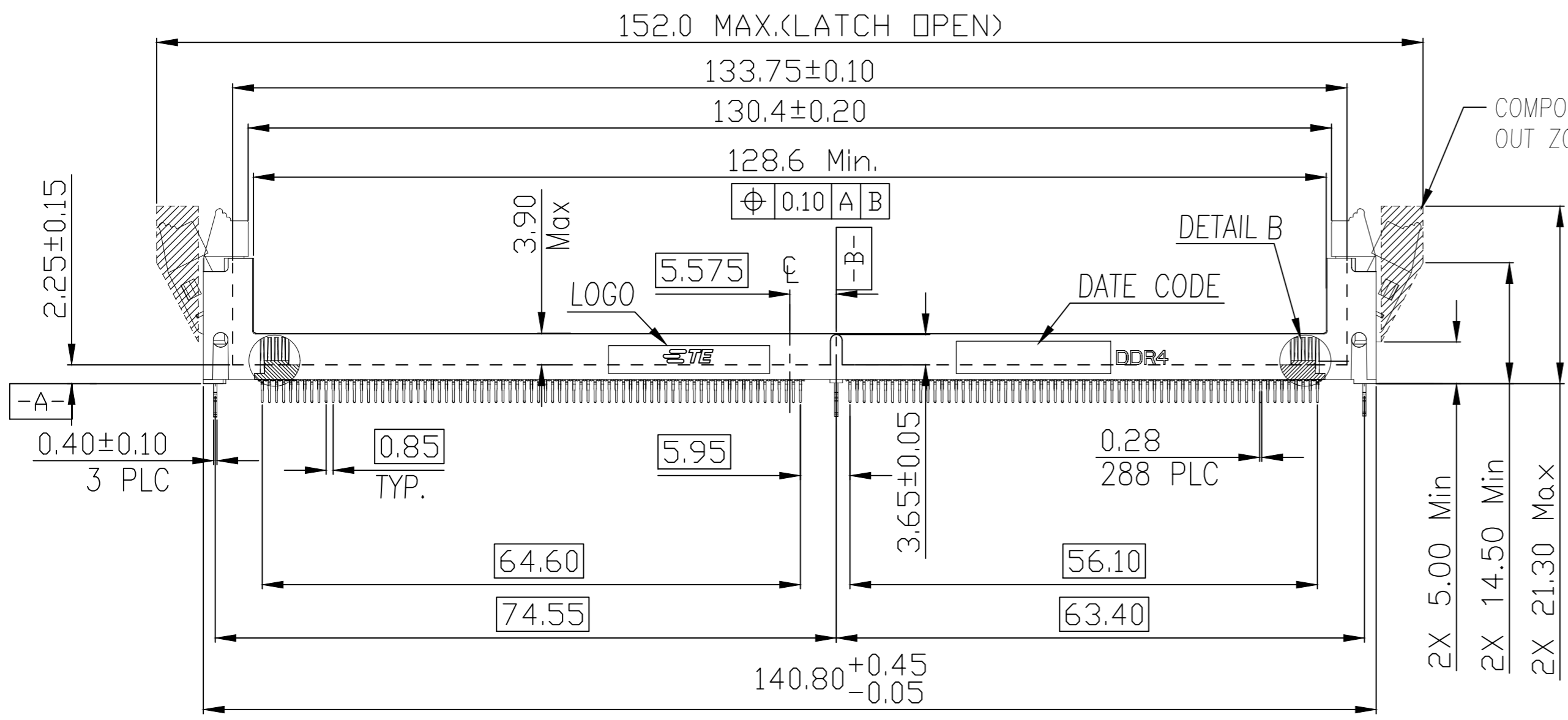
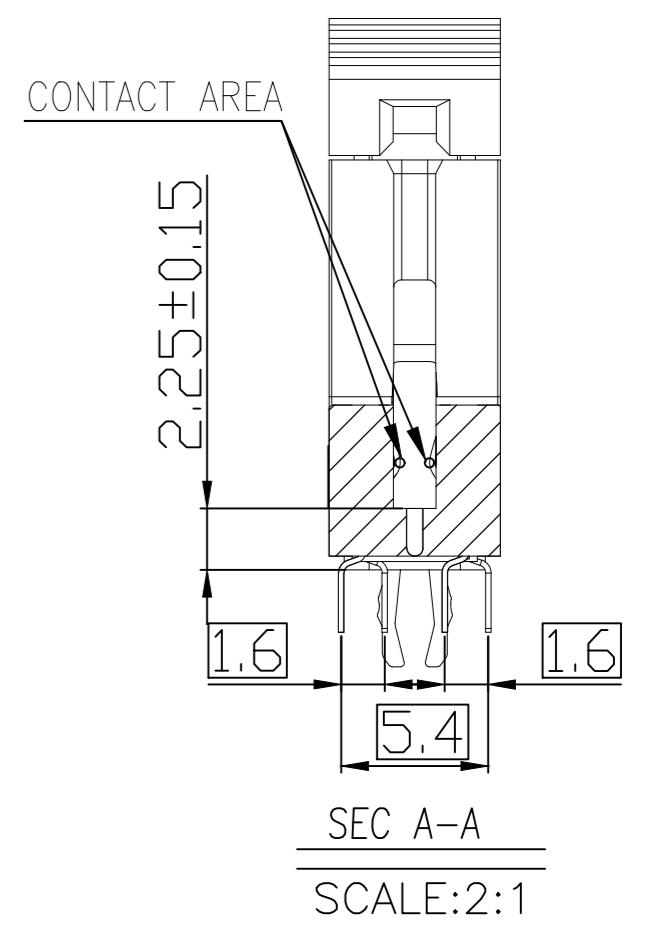
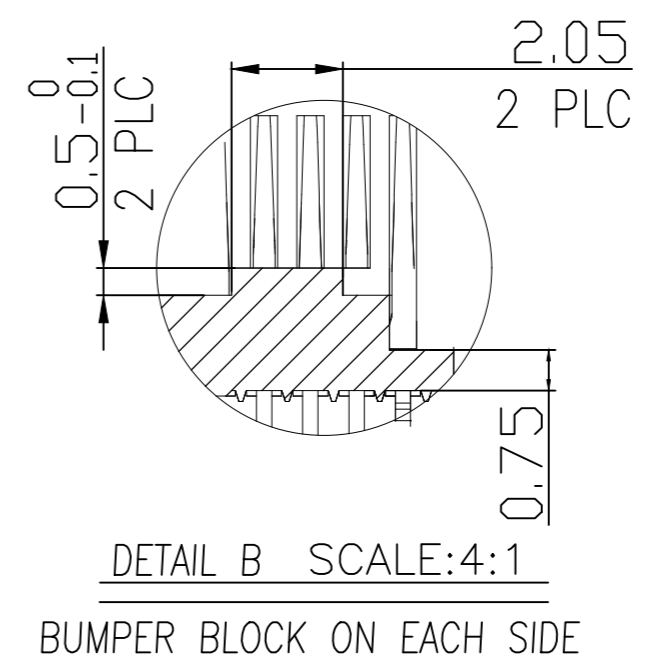
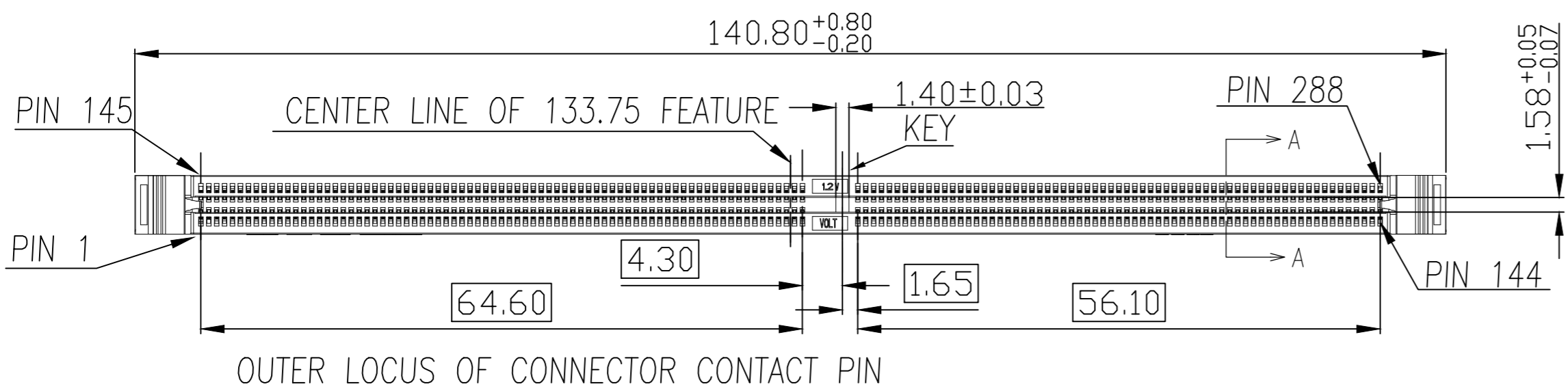


- NOTES:
- PRODUCT MEET CONTROLLED SUBSTANCES SPEC. ROHS 2.0
 - MATERIAL:
 - HOUSING: HIGH TEMPERATURE THERMOPLASTIC, UL94 V-0
 - LATCH: HIGH TEMPERATURE THERMOPLASTIC, UL94 V-0
 - CONTACT: COPPER ALLOY
 - BOARD LOCK: STAINLESS STEEL
 - INTERFACE FINISH:
 - 0.00038 MIN THK GOLD OVER 0.00127 MIN THK NICKEL.
 - GOLD FLASH OVER 0.00127 MIN THK NICKEL.
 - 0.00076 MIN THK GOLD OVER 0.00127 MIN THK NICKEL
 - SOLDER AREA: 2.54um[100u"] MIN. MATTE TIN PLATING.
 - WAVE SOLDER CAPABLE TO 270°C 10S.
 - KEEP OUT AREA RESERVED FOR SOCKET EXTRACTORS, BOTH ENDS.
 - SLOT LENGTH SHOULD BE INSPECTED AFTER SOLDERING.

DUAL LONG LATCH

THIS DRAWING IS A CONTROLLED DOCUMENT.		DWN DAVID ZHAO 15AUG2016	TE Connectivity	
DIMENSIONS: mm		CHK SIMON LI 15AUG2016		
TOLERANCES UNLESS OTHERWISE SPECIFIED:		APVD COREL WANG 15AUG2016	NAME	
0 PLC ± -		PRODUCT SPEC	SOCKET ASSEMBLY	
1 PLC ± ± 0.25		APPLICATION SPEC	DDR4 DIMM,T/H TYPE	
2 PLC ± ± 0.15		108-115124	288 POSITION	
3 PLC ± ± -0.10			SIZE	CAGE CODE
4 PLC ± ± -			A2	00779
ANGLES ± ± -		WEIGHT 7.3g	DRAWING NO C=2308107	
FINISH		CUSTOMER DRAWING	RESTRICTED TO	
		SCALE 1:1	SHEET 1 of 8	REV 29

REVISIONS					
P	LTR	DESCRIPTION	DATE	DWN	APVD
-	-	SEE SHEET 1	-	-	-



DUAL SHORT LATCH


THIS DRAWING IS A CONTROLLED DOCUMENT.		DWN DAVID ZHAO 15AUG2016			NAME	
DIMENSIONS: mm		CHK SIMON LI 15AUG2016			SOCKET ASSEMBLY	
TOLERANCES UNLESS OTHERWISE SPECIFIED:		APVD COREL WANG 15AUG2016	DDR4 DIMM,T/H TYPE		RESTRICTED TO	
0 PLC ± -		PRODUCT SPEC	288 POSITION		-	
1 PLC ± 0.25		108-115124	SIZE A2	CAGE CODE 00779	DRAWING NO. C=2308107	REV 29
2 PLC ± 0.15		APPLICATION SPEC	SCALE 1:1		SHEET 2 of 8	
3 PLC ± -0.10		WEIGHT 7.0g	CUSTOMER DRAWING		REV 29	
4 PLC ± -		FINISH -				
ANGLES ± -						

THIS DRAWING IS UNPUBLISHED. RELEASED FOR PUBLICATION
 © COPYRIGHT - By - ALL RIGHTS RESERVED.


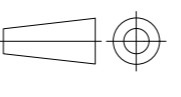
REVISIONS					
P	LTR	DESCRIPTION	DATE	DWN	APVD
-	-	SEE SHEET 1	-	-	-

HARD TRAY	NATURAL	BLACK	30u"	3.85	3.18	7-2308107-2
SOFT TRAY I	BLUE(2935U)	BLUE(2935U)	15u"	3.57	2.67	7-2308107-1
SOFT TRAY I	NATURAL	BLUE(2935U)	30u"	3.85	3.18	7-2308107-0
SOFT TRAY I	BLACK_260°C	BLACK_260°C	15u"	3.57	2.67	6-2308107-8
SOFT TRAY I	NATURAL	NATURAL	15u"	3.85	3.18	6-2308107-7
SOFT TRAY I	NATURAL	BLACK	15u"	3.57	2.40	6-2308107-6
SOFT TRAY I	NATURAL	BLUE(2935U)	15u"	3.85	3.18	6-2308107-5
SOFT TRAY I	NATURAL	BLACK	15u"	3.85	3.18	6-2308107-4
SOFT TRAY I	NATURAL	BLACK	30u"	3.57	2.67	6-2308107-3
SOFT TRAY I	NATURAL	NATURAL	30u"	3.85	3.18	6-2308107-2
SOFT TRAY I	GREEN(375C)	BLACK	30u"	3.85	3.18	6-2308107-1
SOFT TRAY I	NATURAL	BLACK	30u"	3.85	3.18	6-2308107-0
SOFT TRAY II	BLACK	BLACK	30u"	3.85	3.18	5-2308107-9
SOFT TRAY I	NATURAL	NATURAL	30u"	3.57	2.10	5-2308107-8
SOFT TRAY I	BLACK	BLACK	30u"	3.57	2.10	5-2308107-7
SOFT TRAY I	BLACK	BLACK	30u"	3.57	2.67	5-2308107-6
SOFT TRAY I	NATURAL	NATURAL	30u"	3.57	2.67	5-2308107-5
SOFT TRAY I	BLACK	BLACK	15u"	3.57	2.67	5-2308107-4
SOFT TRAY I	NATURAL	NATURAL	15u"	3.57	2.67	5-2308107-3
SOFT TRAY I	NATURAL	BLUE(2935U)	15u"	3.57	2.67	5-2308107-2
SOFT TRAY I	NATURAL	BLACK	15u"	3.57	2.67	5-2308107-1
PACKING	LATCH COLOR	HOUSING COLOR	CONTACT GOLD INTERFACE 	DIM H	DIM L	PART NUMBER

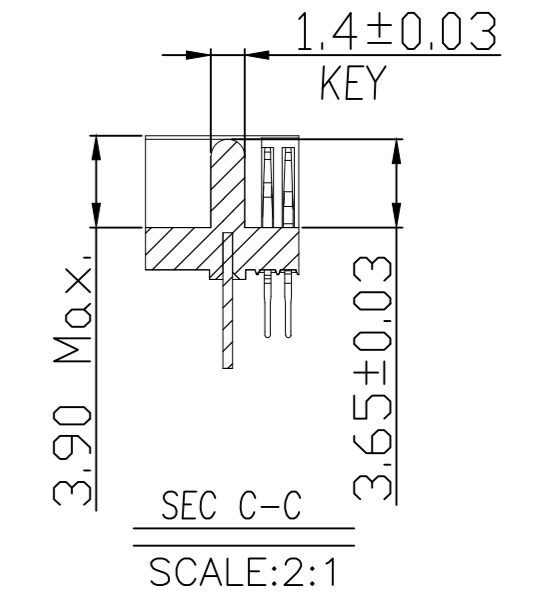
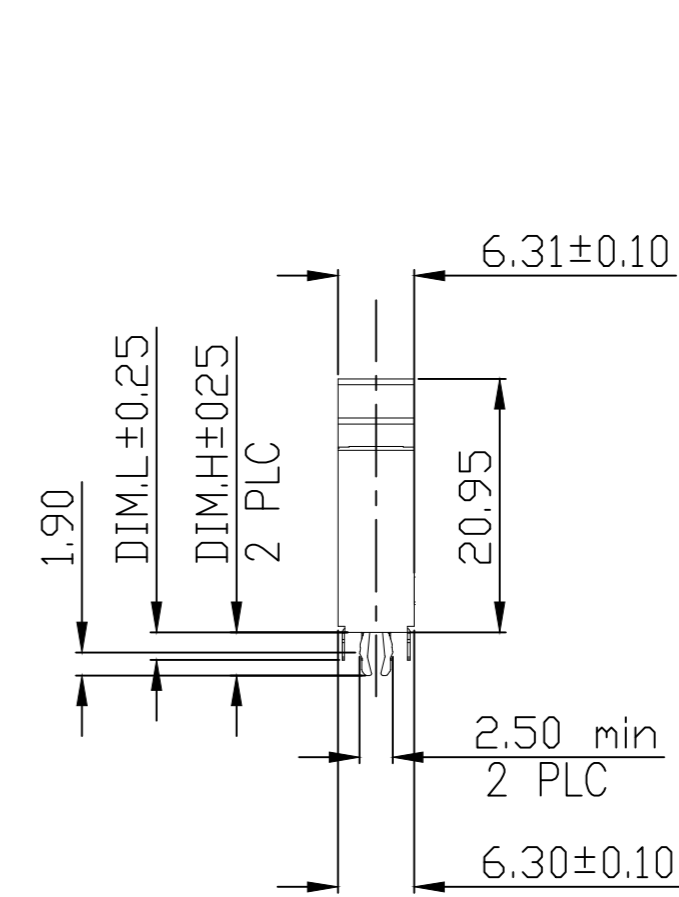
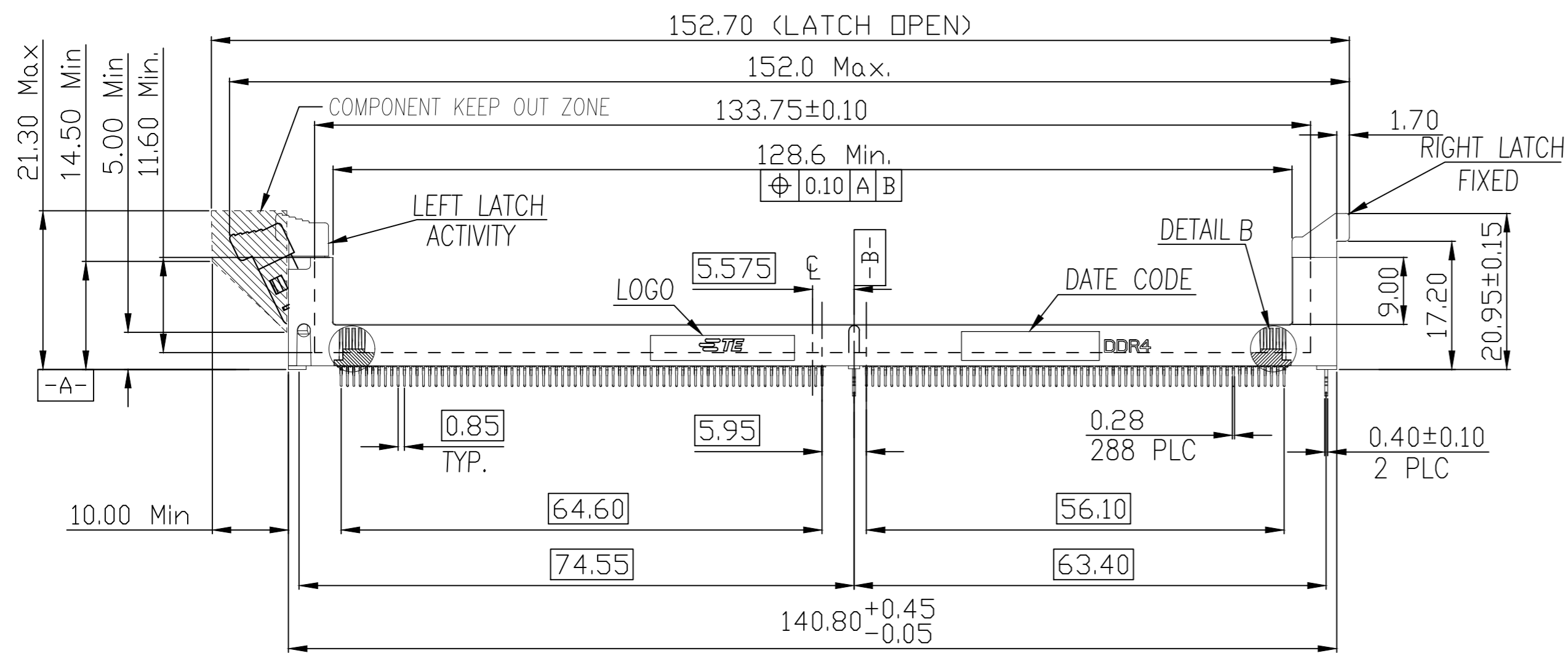
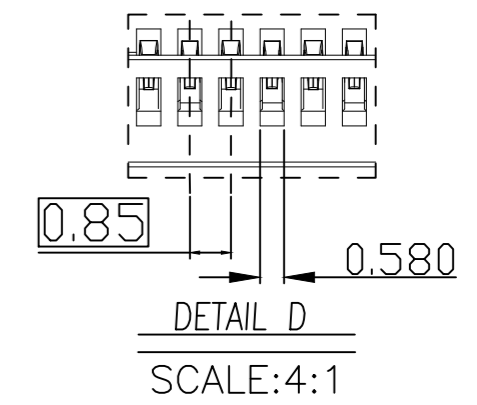
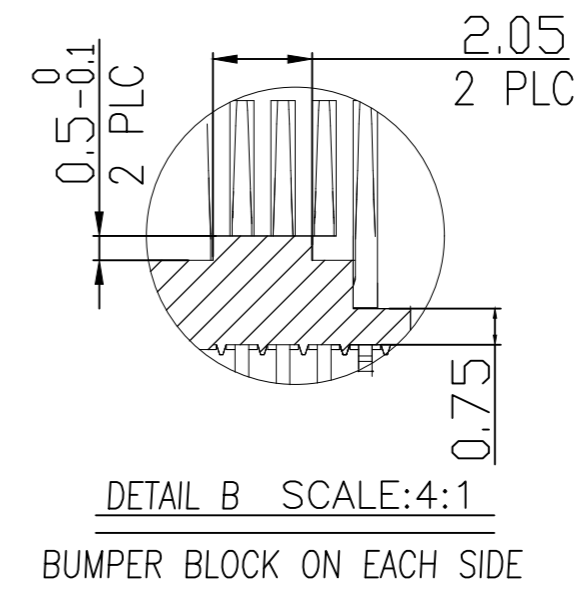
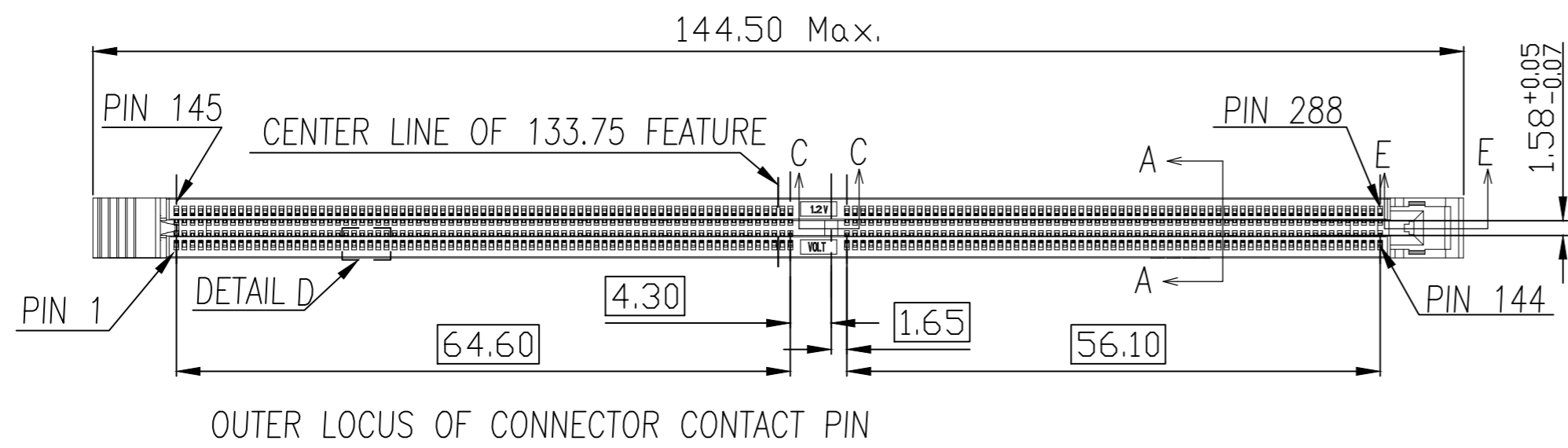
SHORT LATCH TYPE

SOFT TRAY I	NATURAL_260°C	BLUE(2935U)_260°C	30u"	3.00	2.40	4-2308107-9
SOFT TRAY I	NATURAL_260°C	BLACK_260°C	30u"	3.00	2.40	4-2308107-8
HARD TRAY	NATURAL_260°C	BLACK_260°C	15u"	3.57	2.67	4-2308107-7
SOFT TRAY I	BLUE(2935U)	BLUE(2935U)	30u"	3.57	2.67	4-2308107-6
SOFT TRAY I	NATURAL	BLUE(2935U)	30u"	3.85	3.18	4-2308107-5
SOFT TRAY I	NATURAL	YELLOW(107C)	15u"	3.57	2.67	4-2308107-4
SOFT TRAY I	BLACK	BLACK	15u"	3.57	2.67	4-2308107-3
SOFT TRAY I	BLUE(2935U)	BLUE(2935U)	30u"	3.85	3.18	4-2308107-2
HARD TRAY	BLUE(2935U)_260°C	BLUE(2935U)_260°C	15u"	3.85	3.18	4-2308107-1
HARD TRAY	BLACK_260°C	BLACK_260°C	15u"	3.85	3.18	4-2308107-0
SOFT TRAY I	NATURAL	YELLOW(107C)	30u"	3.57	2.67	3-2308107-5
SOFT TRAY I	NATURAL	YELLOW(107C)	30u"	3.57	2.40	3-2308107-1
SOFT TRAY I	NATURAL	BLACK	30u"	3.57	2.40	3-2308107-0
SOFT TRAY I	NATURAL	BLACK	15u"	3.57	2.67	2-2308107-7
SOFT TRAY I	NATURAL	BLUE(2935U)	15u"	3.57	2.67	2-2308107-4
SOFT TRAY I	NATURAL	BLACK	30u"	3.57	2.40	2-2308107-3
SOFT TRAY I	NATURAL	BLACK	30u"	3.85	3.18	2-2308107-2
SOFT TRAY I	NATURAL	BLACK	15u"	3.57	2.40	2-2308107-1
SOFT TRAY I	BLUE(2935U)	BLUE(2935U)	15u"	3.85	3.18	2-2308107-0
SOFT TRAY I	GREEN(375C)	GREEN(375C)	15u"	3.85	3.18	1-2308107-9
SOFT TRAY I	NATURAL	NATURAL	15u"	3.85	3.18	1-2308107-8
SOFT TRAY I	BLACK	BLACK	15u"	3.85	3.18	1-2308107-7
SOFT TRAY I	BLACK	BLACK	30u"	3.57	2.10	1-2308107-6
SOFT TRAY I	NATURAL	BLACK	30u"	3.57	2.10	1-2308107-5
SOFT TRAY I	GREEN(375C)	BLACK	30u"	3.57	2.10	1-2308107-4
SOFT TRAY I	BLACK	BLACK	30u"	3.57	2.67	1-2308107-3
SOFT TRAY I	NATURAL	BLACK	30u"	3.57	2.67	1-2308107-2
SOFT TRAY I	GREEN(375C)	BLACK	30u"	3.57	2.67	1-2308107-1
SOFT TRAY I	NATURAL	BLACK	15u"	3.57	2.10	1-2308107-0
SOFT TRAY I	NATURAL	BLUE(2935U)	15u"	3.57	2.10	2308107-9
SOFT TRAY I	NATURAL	GREEN(375C)	15u"	3.57	2.10	2308107-8
SOFT TRAY I	NATURAL	BLACK	15u"	3.85	3.18	2308107-7
SOFT TRAY I	NATURAL	BLUE(2935U)	15u"	3.85	3.18	2308107-6
SOFT TRAY I	NATURAL	NATURAL	30u"	3.57	2.40	2308107-5
SOFT TRAY I	BLACK	BLACK	30u"	3.57	2.40	2308107-4
SOFT TRAY I	NATURAL	GREEN(375C)	15u"	3.57	2.40	2308107-3
SOFT TRAY I	NATURAL	BLUE(2935U)	15u"	3.57	2.40	2308107-2
SOFT TRAY I	BLACK	BLACK	15u"	3.57	2.40	2308107-1
PACKING	LATCH COLOR	HOUSING COLOR	CONTACT GOLD INTERFACE 	DIM H	DIM L	PART NUMBER

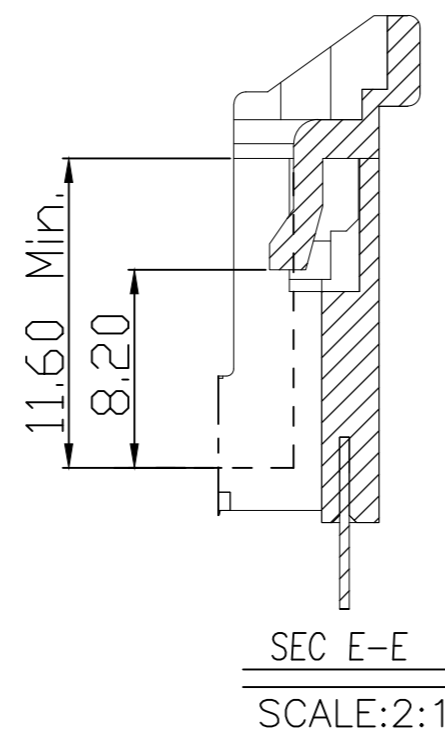
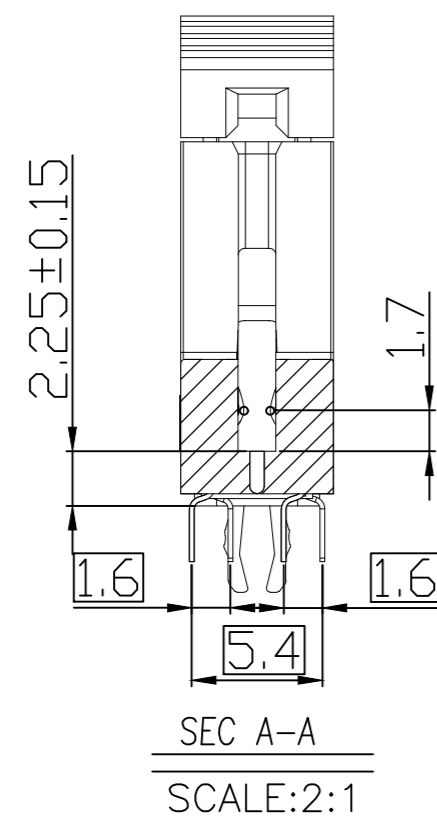
LONG LATCH TYPE

THIS DRAWING IS A CONTROLLED DOCUMENT.		DWN DAVID ZHAO 15AUG2016	 TE Connectivity			
DIMENSIONS: mm		CHK SIMON LI 15AUG2016				
TOLERANCES UNLESS OTHERWISE SPECIFIED:		APVD COREL WANG 15AUG2016	NAME			
		0 PLC ± - 1 PLC ± 0.25 2 PLC ± 0.15 3 PLC ± -0.10 4 PLC ± - ANGLES ± -	PRODUCT SPEC			
MATERIAL		FINISH	APPLICATION SPEC			
			108			
			WEIGHT -			
			CUSTOMER DRAWING			
			SIZE A2	CAGE CODE 00779	DRAWING NO C-2308107	RESTRICTED TO -
			SCALE 1:1	SHEET 3 of 8	REV 29	

REVISIONS					
P	LTR	DESCRIPTION	DATE	DWN	APVD
-	-	SEE SHEET 1	-	-	-



LEFT ACTIVITY LATCH

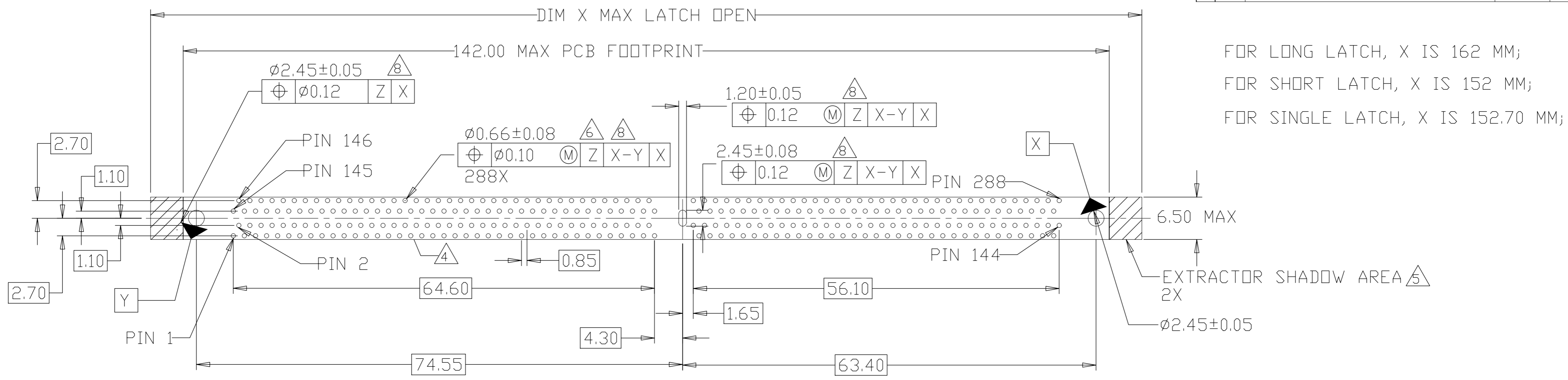


NATURAL	NATURAL	BLUE(2935U)	15u" MIN.	3.85	2.67	9-2308107-2
FIXED LATCH COLOR	ACTIVITY LATCH COLOR	BLACK	CONTACT GOLD INTERFACE	3.85	2.67	9-2308107-1
		HOUSING COLOR		DIM H	DIM L	PART NUMBER

THIS DRAWING IS A CONTROLLED DOCUMENT.		DWN DAVID ZHAO 15AUG2016				
DIMENSIONS: mm		CHK SIMON LI 15AUG2016				
TOLERANCES UNLESS OTHERWISE SPECIFIED:		APVD COREL WANG 15AUG2016	NAME			
0 PLC ± -		PRODUCT SPEC	SOCKET ASSEMBLY			
1 PLC ± 0.25		APPLICATION SPEC	DDR4 DIMM,T/H TYPE			
2 PLC ± 0.15			288 POSITION			
3 PLC ± -0.10			SIZE	CAGE CODE	DRAWING NO	RESTRICTED TO
4 PLC ± -			A2	00779	C=2308107	-
ANGLES ± -			SCALE 1:1 SHEET 4 of 8 REV 29			
FINISH		WEIGHT 7.6g	CUSTOMER DRAWING			

THIS DRAWING IS UNPUBLISHED. RELEASED FOR PUBLICATION
 © COPYRIGHT - By - ALL RIGHTS RESERVED.

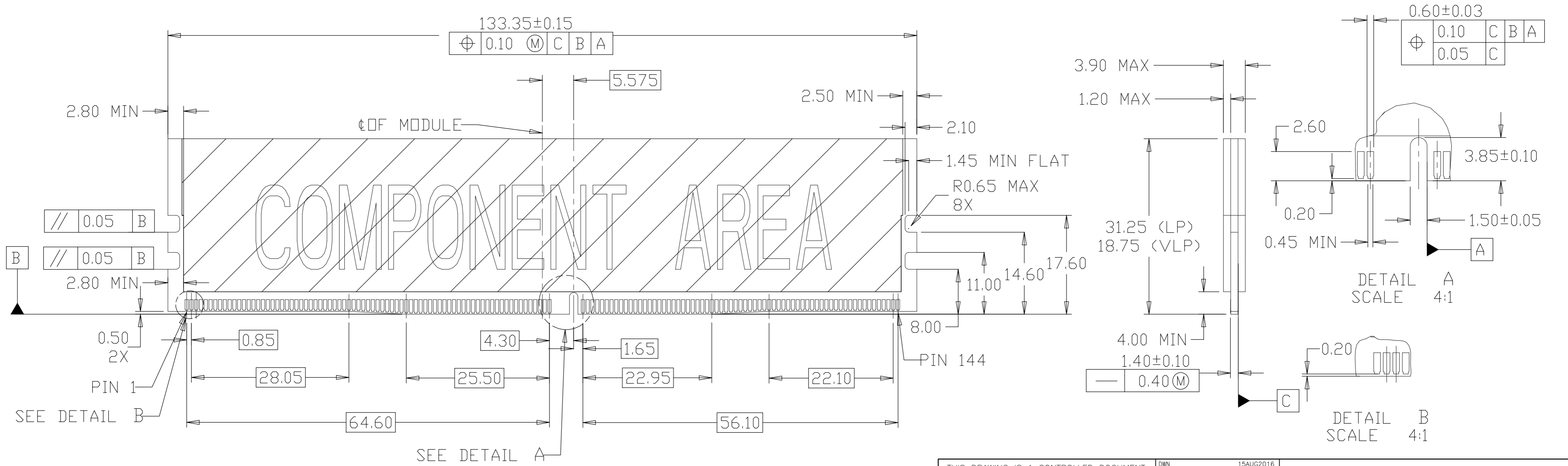
REVISIONS					
P	LTR	DESCRIPTION	DATE	DWN	APVD
-	-	SEE SHEET 1	-	-	-



FOR LONG LATCH, X IS 162 MM;
 FOR SHORT LATCH, X IS 152 MM;
 FOR SINGLE LATCH, X IS 152.70 MM;

RECOMMENDED PCB LAYOUT

VIEWED FROM CONNECTOR SIDE

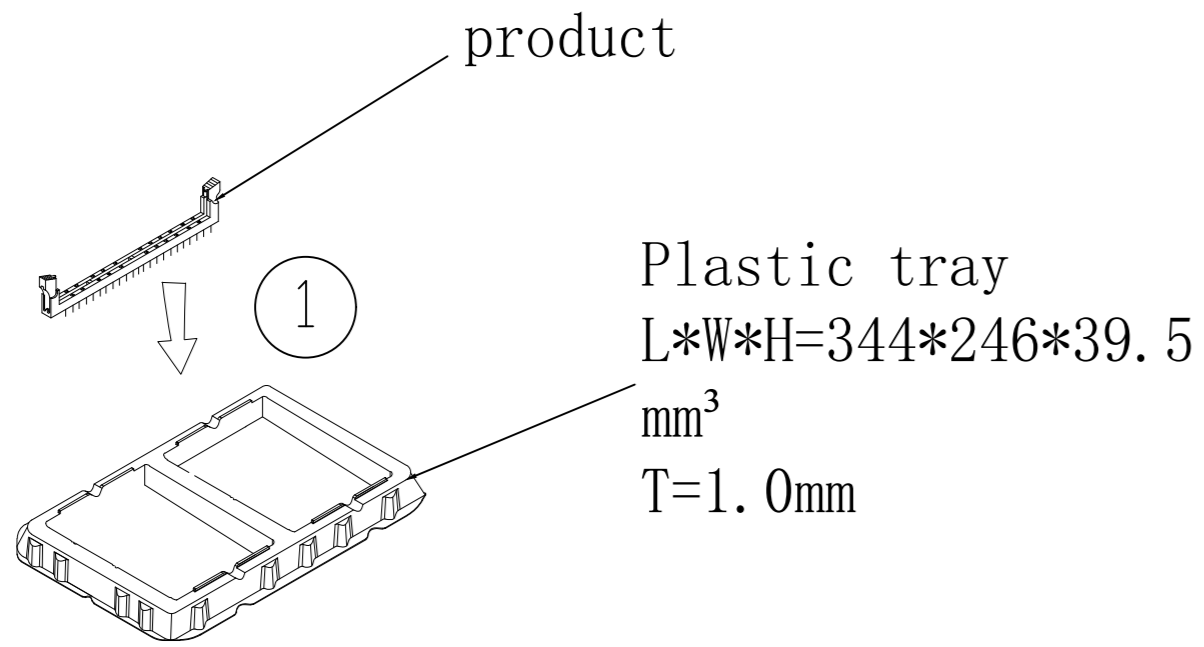


RECOMMENDED MODULE LAYOUT

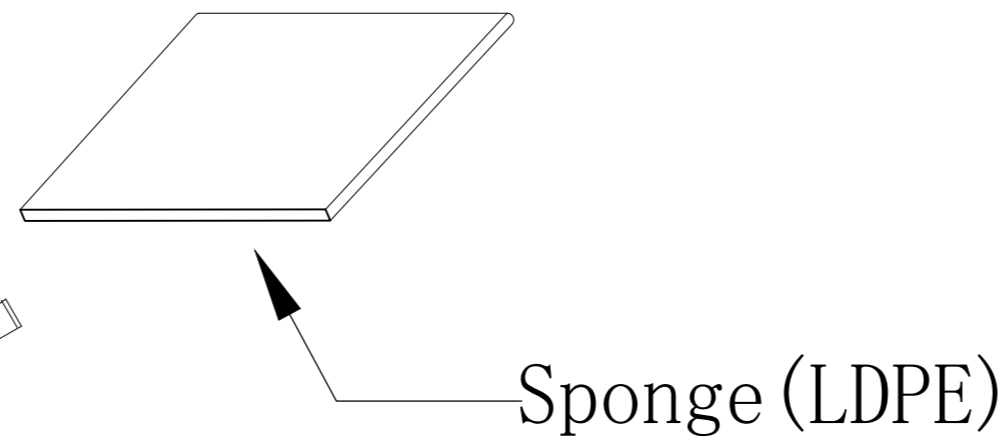
THIS DRAWING IS A CONTROLLED DOCUMENT.		DWN DAVID ZHAO 15AUG2016	TE Connectivity	
DIMENSIONS: mm		CHK SIMON LI 15AUG2016		
TOLERANCES UNLESS OTHERWISE SPECIFIED:		APVD COREL WANG 15AUG2016	NAME	
0 PLC ± -		PRODUCT SPEC	SOCKET ASSEMBLY	
1 PLC ± 0.25		APPLICATION SPEC	DDR4 DIMM,T/H TYPE	
2 PLC ± 0.15		WEIGHT	288 POSITION	
3 PLC ± -0.10		SCALE	SIZE	RESTRICTED TO
4 PLC ± -		CUSTOMER DRAWING	A2	-
ANGLES ± -		SCALE 1:1	CAGE CODE	DRAWING NO
FINISH		SCALE 1:1	00779	C=2308107
MATERIAL		SHEET	5 of 8	REV 29

THIS DRAWING IS UNPUBLISHED. RELEASED FOR PUBLICATION
 © COPYRIGHT - By - ALL RIGHTS RESERVED.

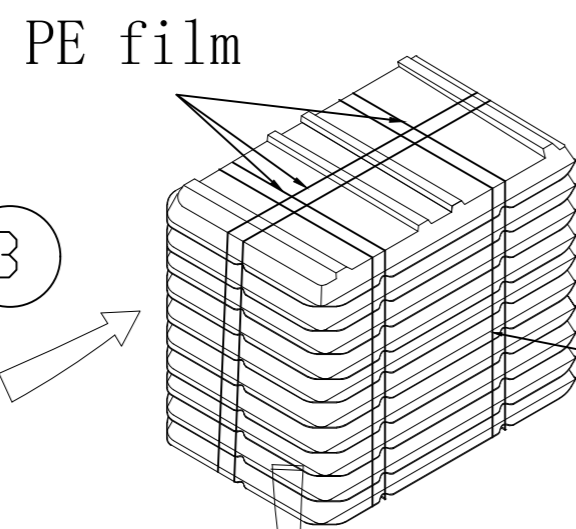
REVISIONS					
P	LTR	DESCRIPTION	DATE	DWN	APVD
-	-	SEE SHEET 1	-	-	-



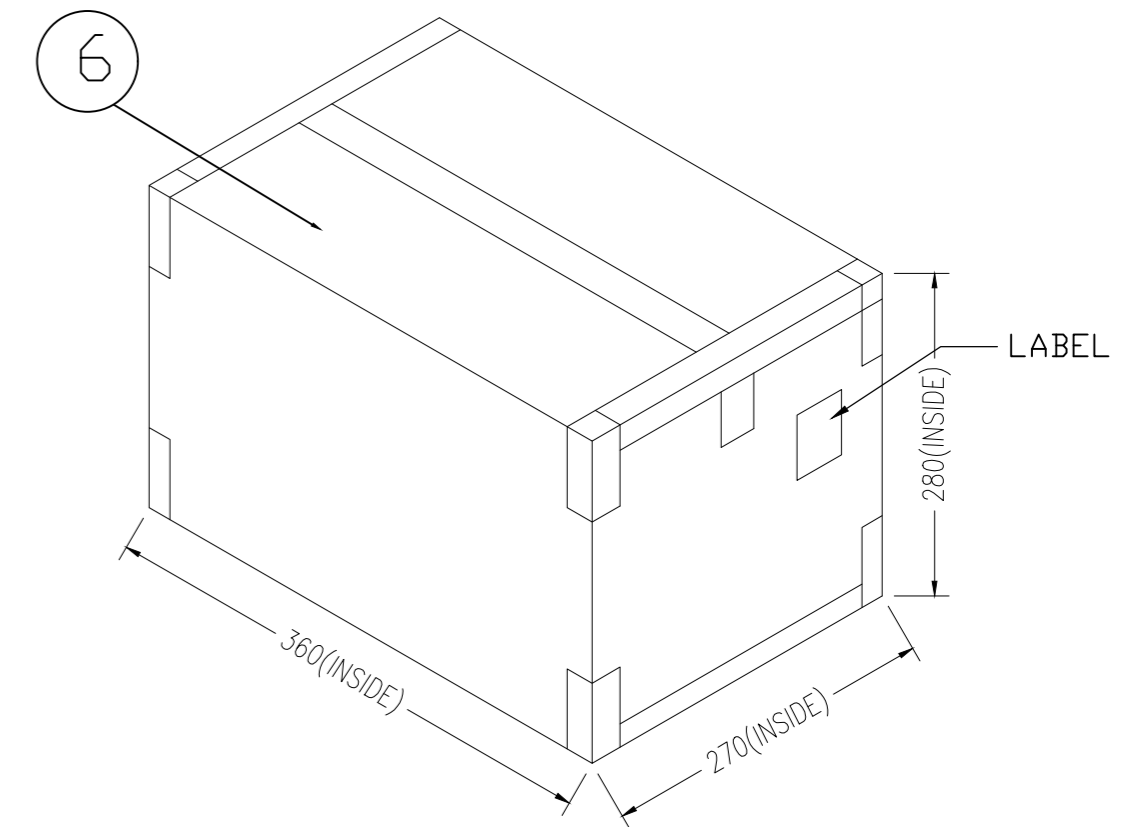
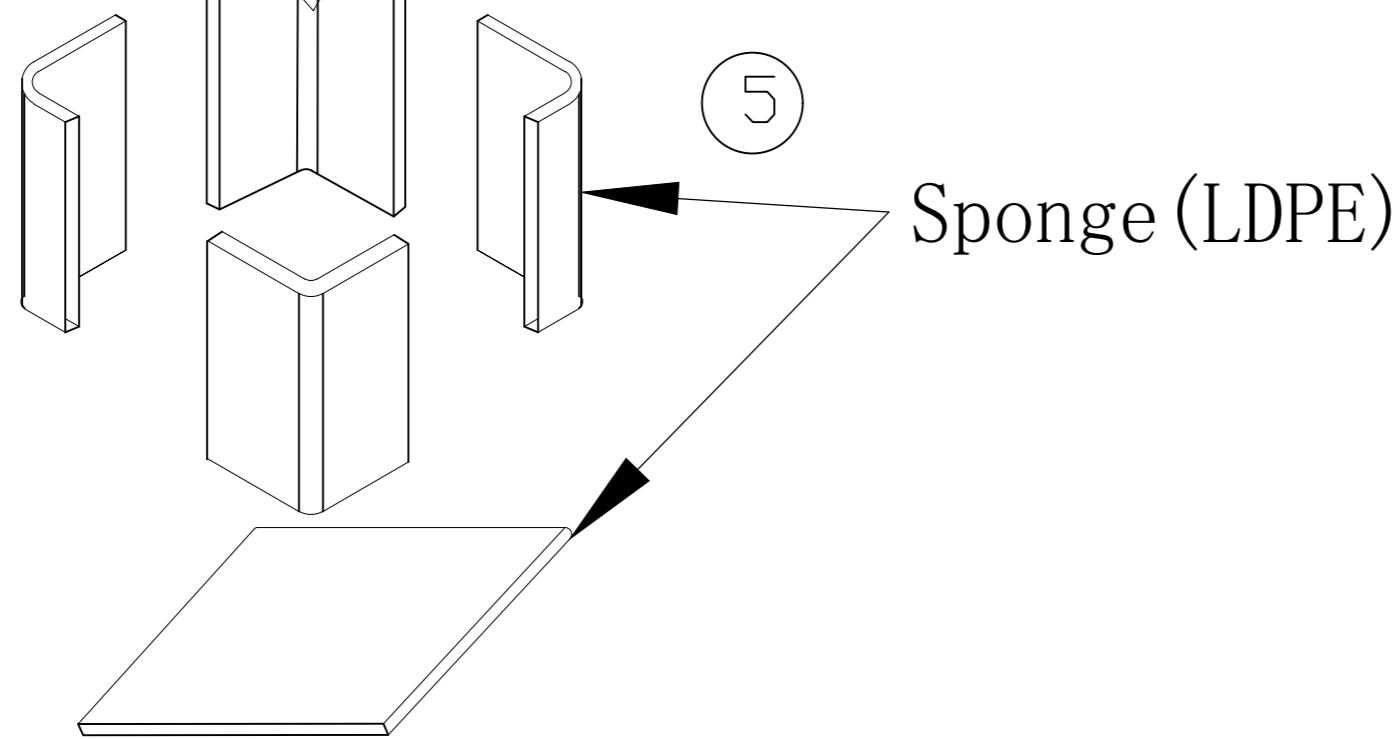
5.4kg	3.5kg	50	10	500	SEE PAGE 3
GROSS WEIGHT	NET WEIGHT	PCS/ TRAY	TRAY/ BOX	PCS/ BOX	PART NUMBER



Waterproof bag



Each box has 10 plastic trays and 1 plastic lid. Each plastic tray has 50 products.
 500 products in a box in total, and then with PE film to fix around it.

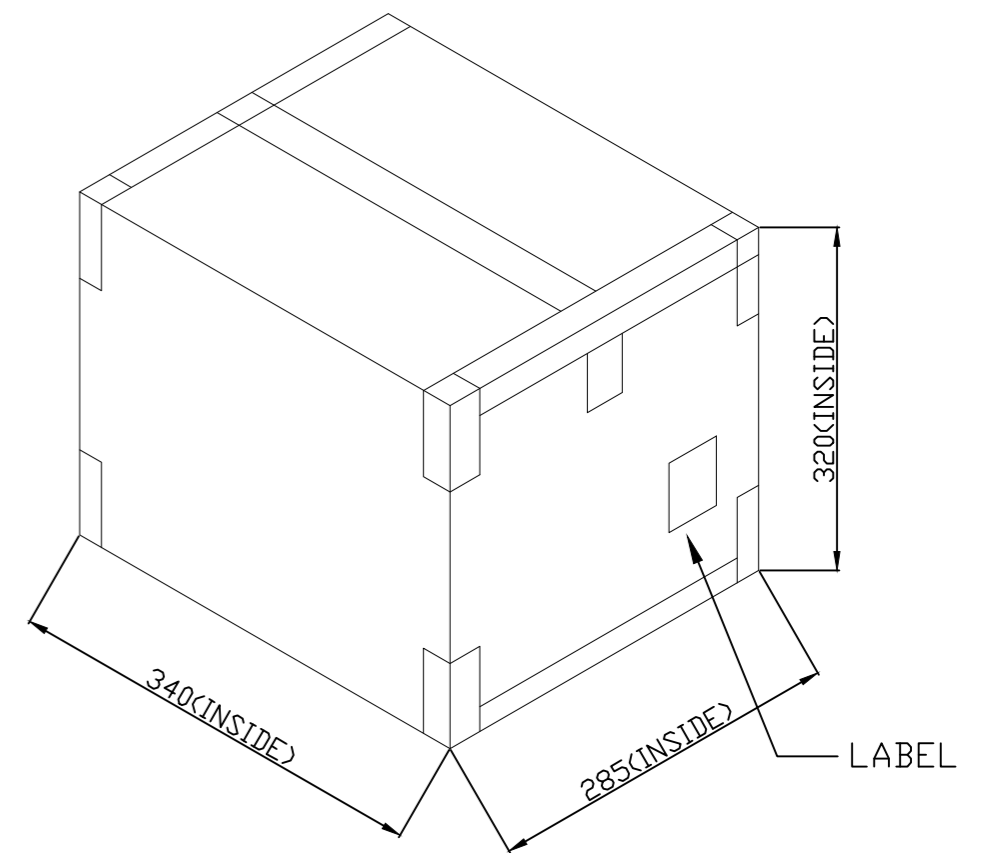
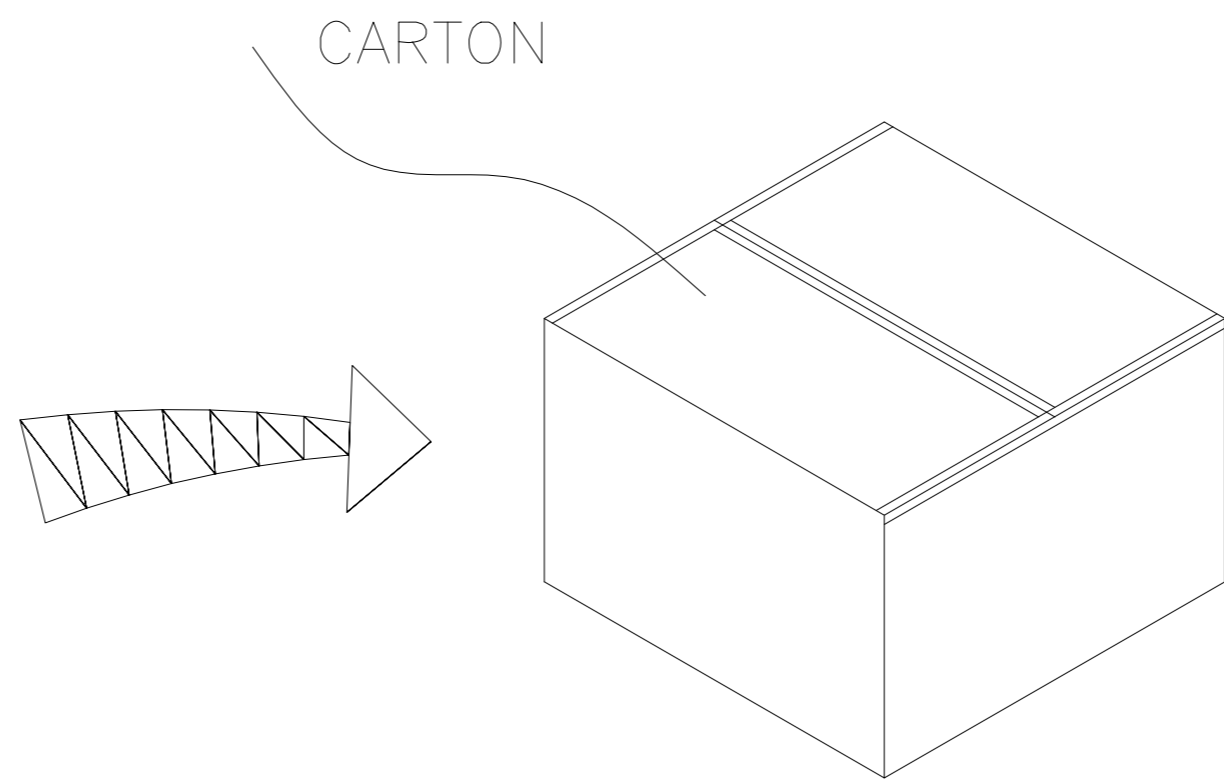
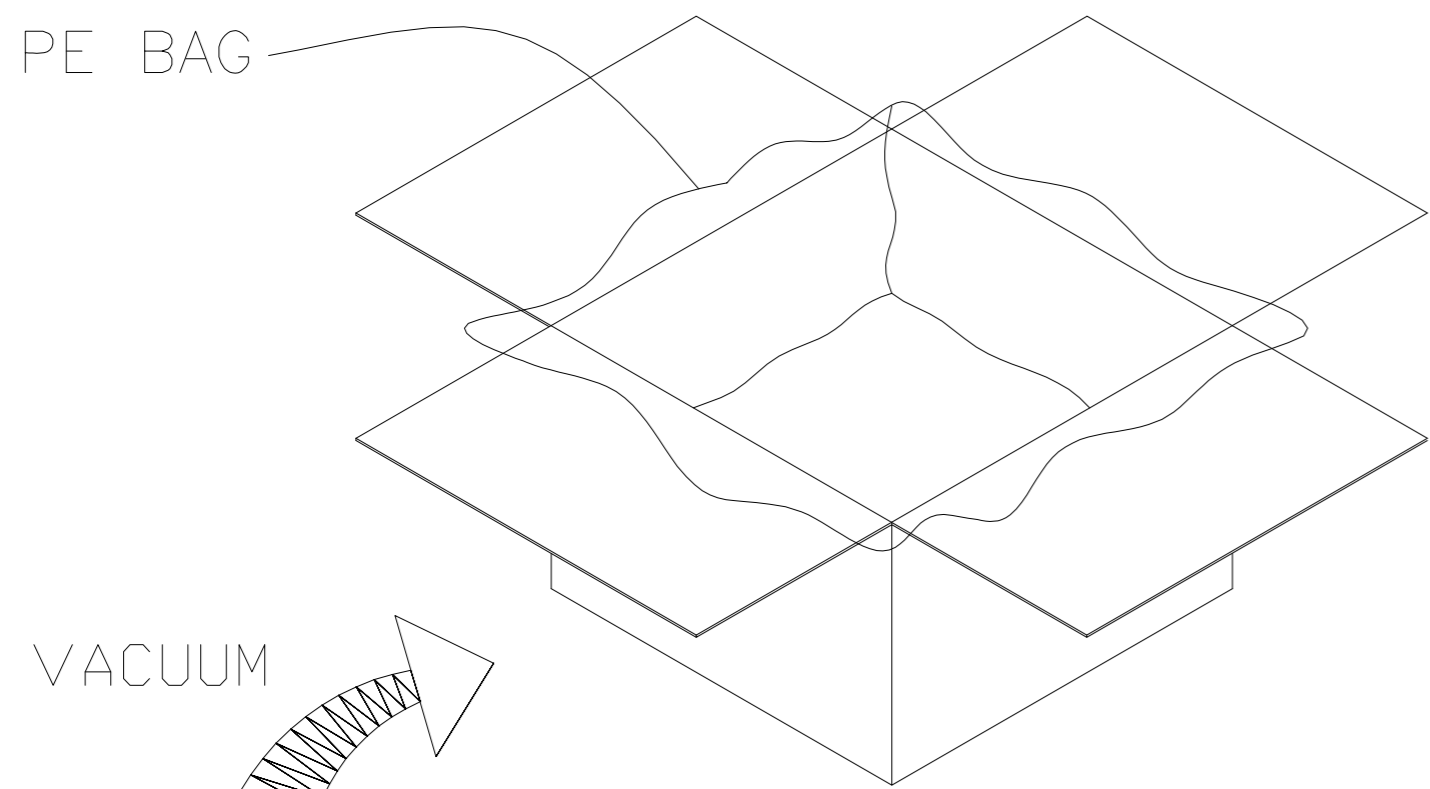
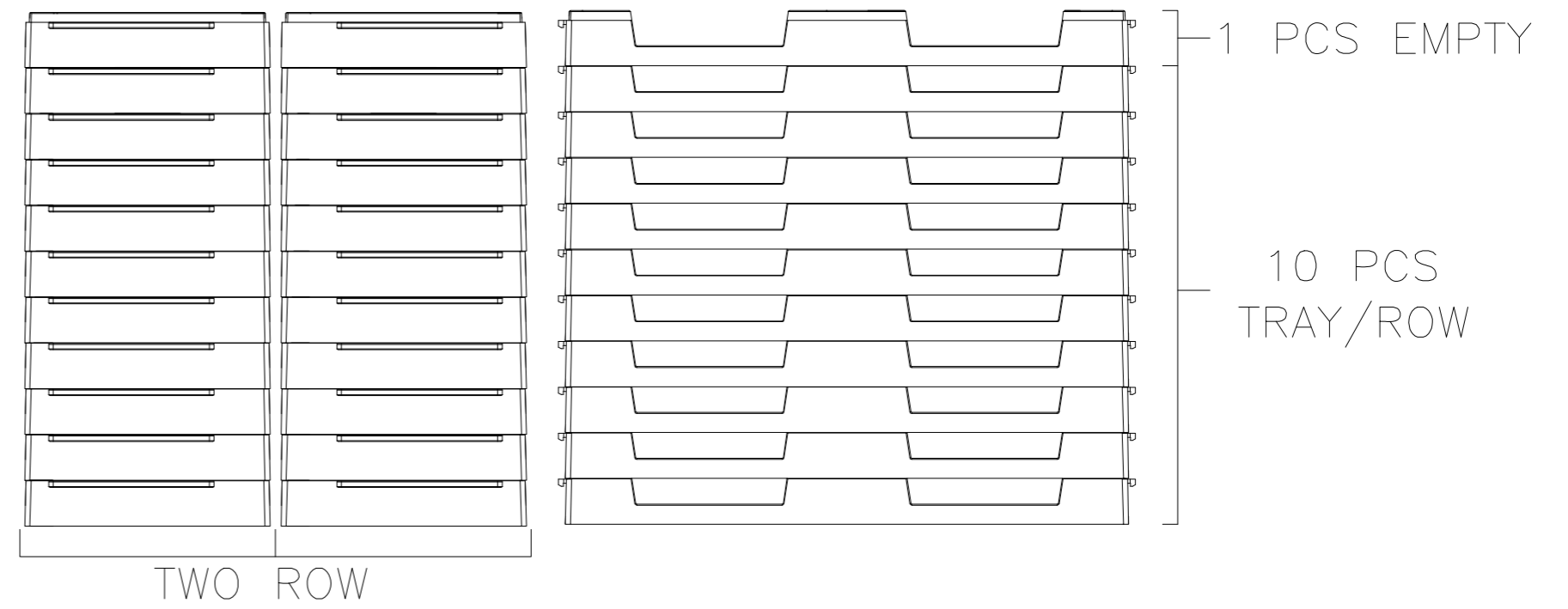
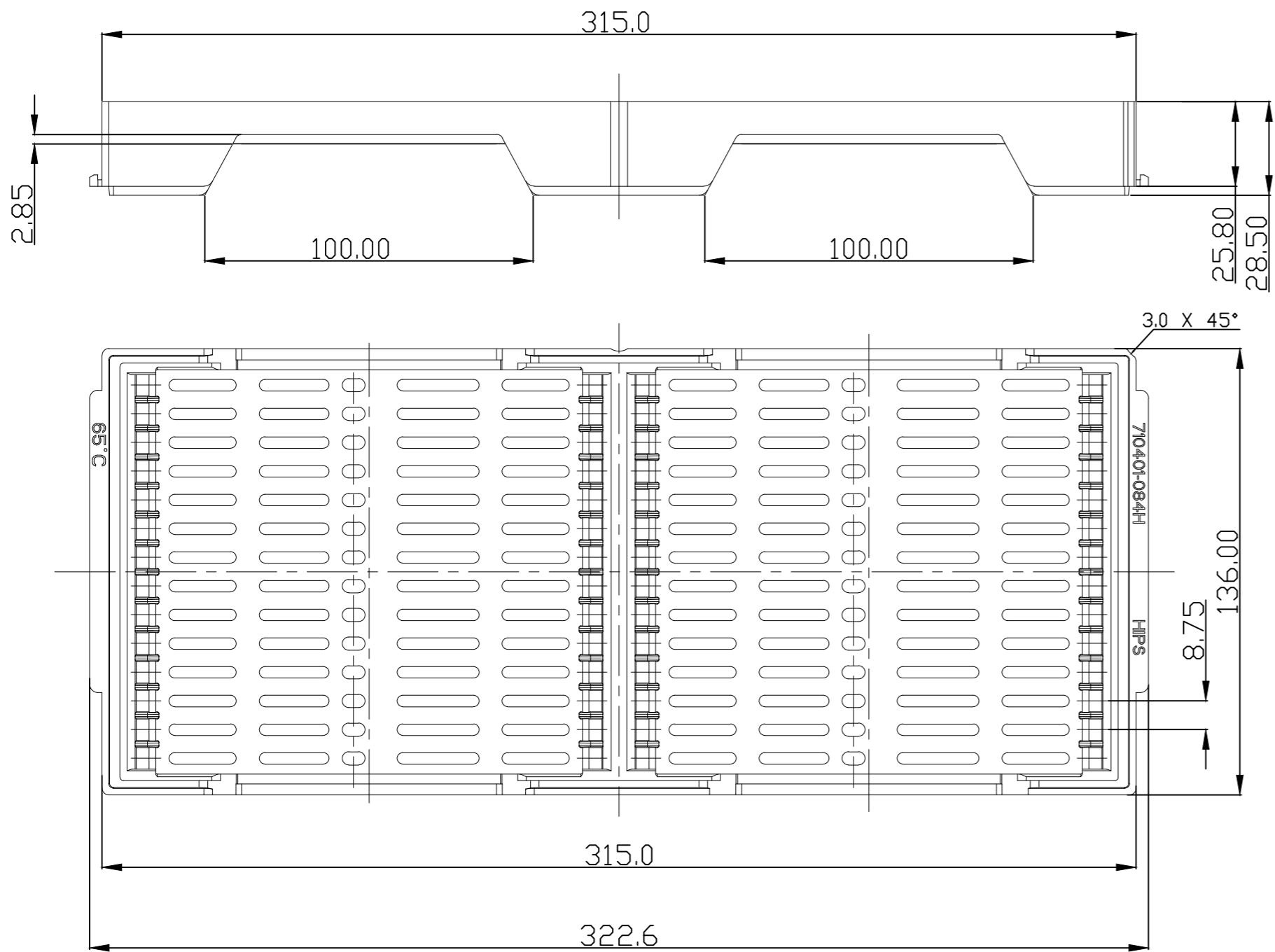


SOFT TRAY I

THIS DRAWING IS A CONTROLLED DOCUMENT.		DWN DAVID ZHAO 15AUG2016			
DIMENSIONS: mm		CHK SIMON LI 15AUG2016			
TOLERANCES UNLESS OTHERWISE SPECIFIED:		APVD COREL WANG 15AUG2016	NAME		
0 PLC ± -		PRODUCT SPEC	SOCKET ASSEMBLY		
1 PLC ± 0.25		APPLICATION SPEC	DDR4 DIMM,T/H TYPE		
2 PLC ± 0.15		WEIGHT -	SIZE A2	CAGE CODE 00779	DRAWING NO C=2308107
3 PLC ± -0.10		FINISH -	RESTRICTED TO		REV 29
4 PLC ± -		CUSTOMER DRAWING	SCALE 1:1	SHEET 6 of 8	
ANGLES ± -					

THIS DRAWING IS UNPUBLISHED. RELEASED FOR PUBLICATION
 © COPYRIGHT - By - ALL RIGHTS RESERVED.

REVISIONS					
P	LTR	DESCRIPTION	DATE	DWN	APVD
-	-	SEE SHEET 1	-	-	-



THE 22 PCS HARD TRAY INTO CARTON

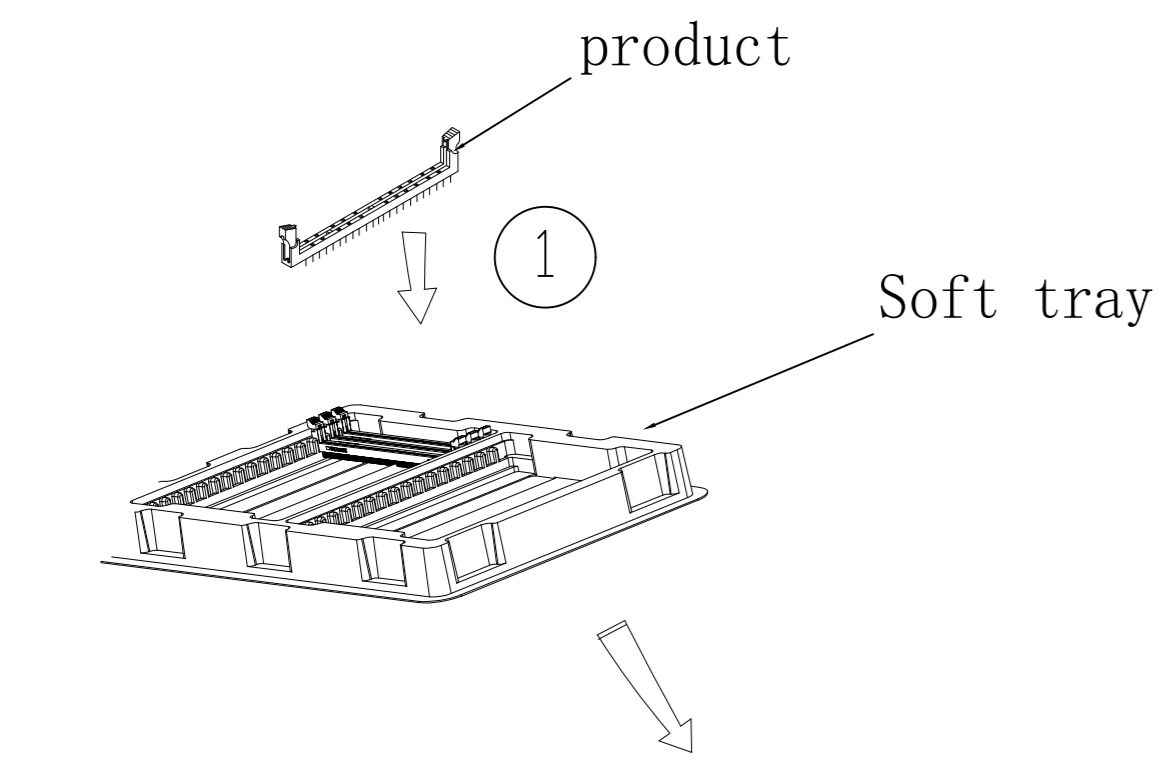
4.8kg	3.92kg	28	20	560	SEE PAGE 3
GROSS WEIGHT	NET WEIGHT	PCS/ TRAY	TRAY/ BOX	PCS/ BOX	PART NUMBER

HARD TRAY

THIS DRAWING IS A CONTROLLED DOCUMENT.		DWN DAVID ZHAO 15AUG2016	TE Connectivity		
DIMENSIONS: mm		CHK SIMON LI 15AUG2016			
TOLERANCES UNLESS OTHERWISE SPECIFIED:		APVD COREL WANG 15AUG2016	NAME		
0 PLC ± -		PRODUCT SPEC	SOCKET ASSEMBLY		
1 PLC ± 0.25		APPLICATION SPEC	DDR4 DIMM,T/H TYPE		
2 PLC ± 0.15		WEIGHT -	288 POSITION		
3 PLC ± -0.10		SCALE 1:1	SIZE A2	CAGE CODE 00779	DRAWING NO C=2308107
4 PLC ± -		RESTRICTED TO -	SHEET 7 of 8		
ANGLES ± -		CUSTOMER DRAWING	REV 29		
FINISH -					

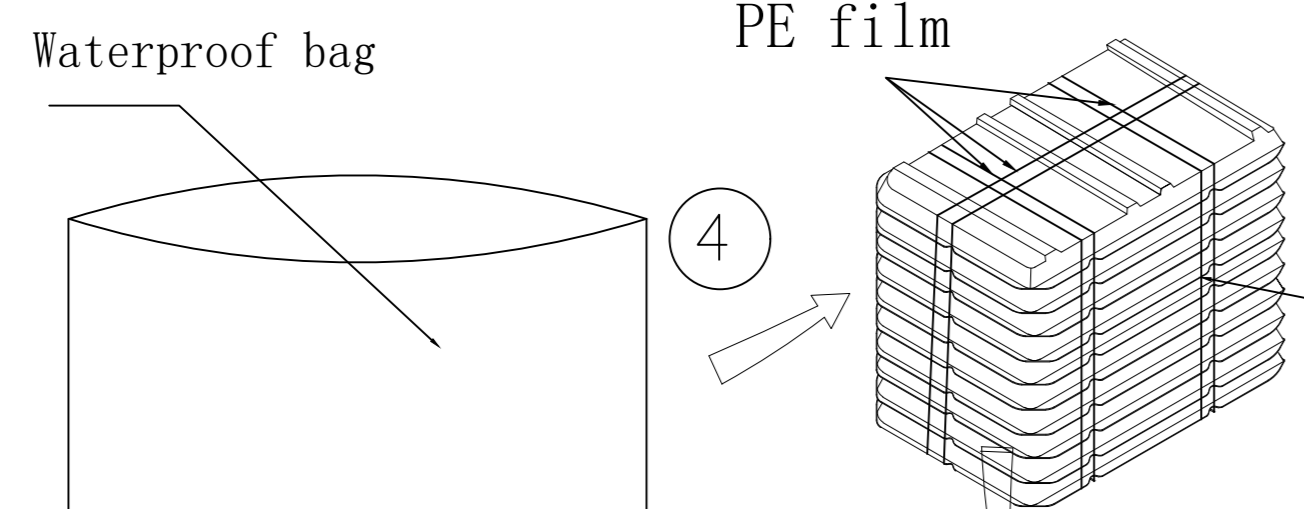
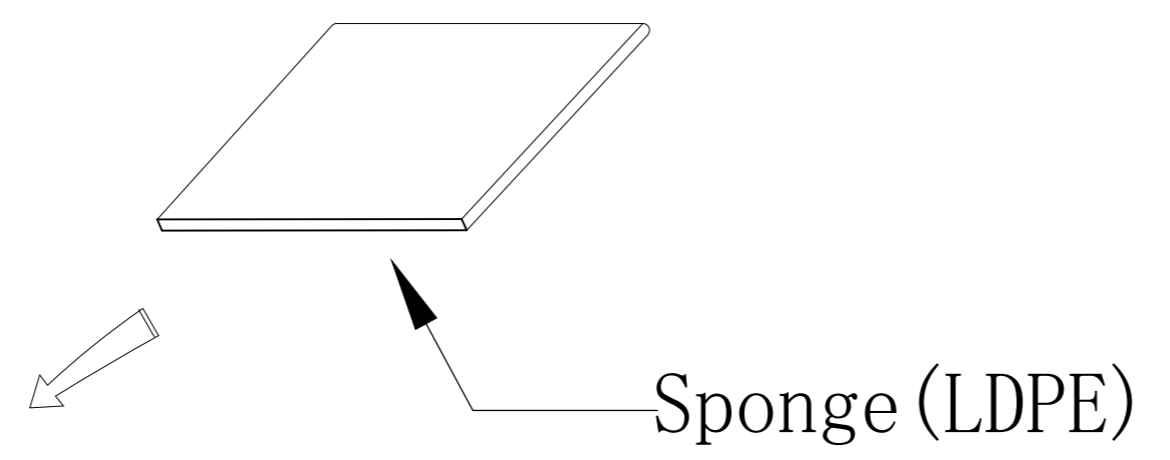
THIS DRAWING IS UNPUBLISHED. RELEASED FOR PUBLICATION
 © COPYRIGHT - By - ALL RIGHTS RESERVED.

REVISIONS					
P	LTR	DESCRIPTION	DATE	DWN	APVD
-	-	SEE SHEET 1	-	-	-

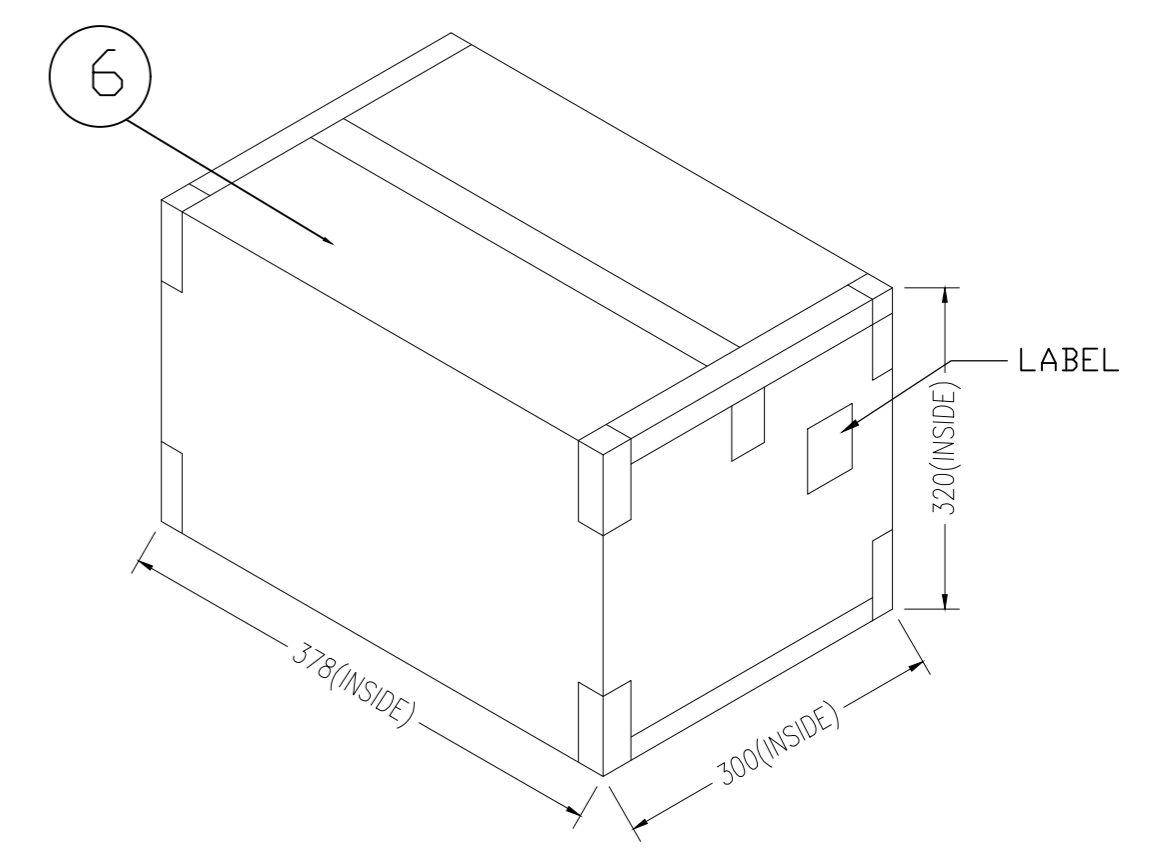
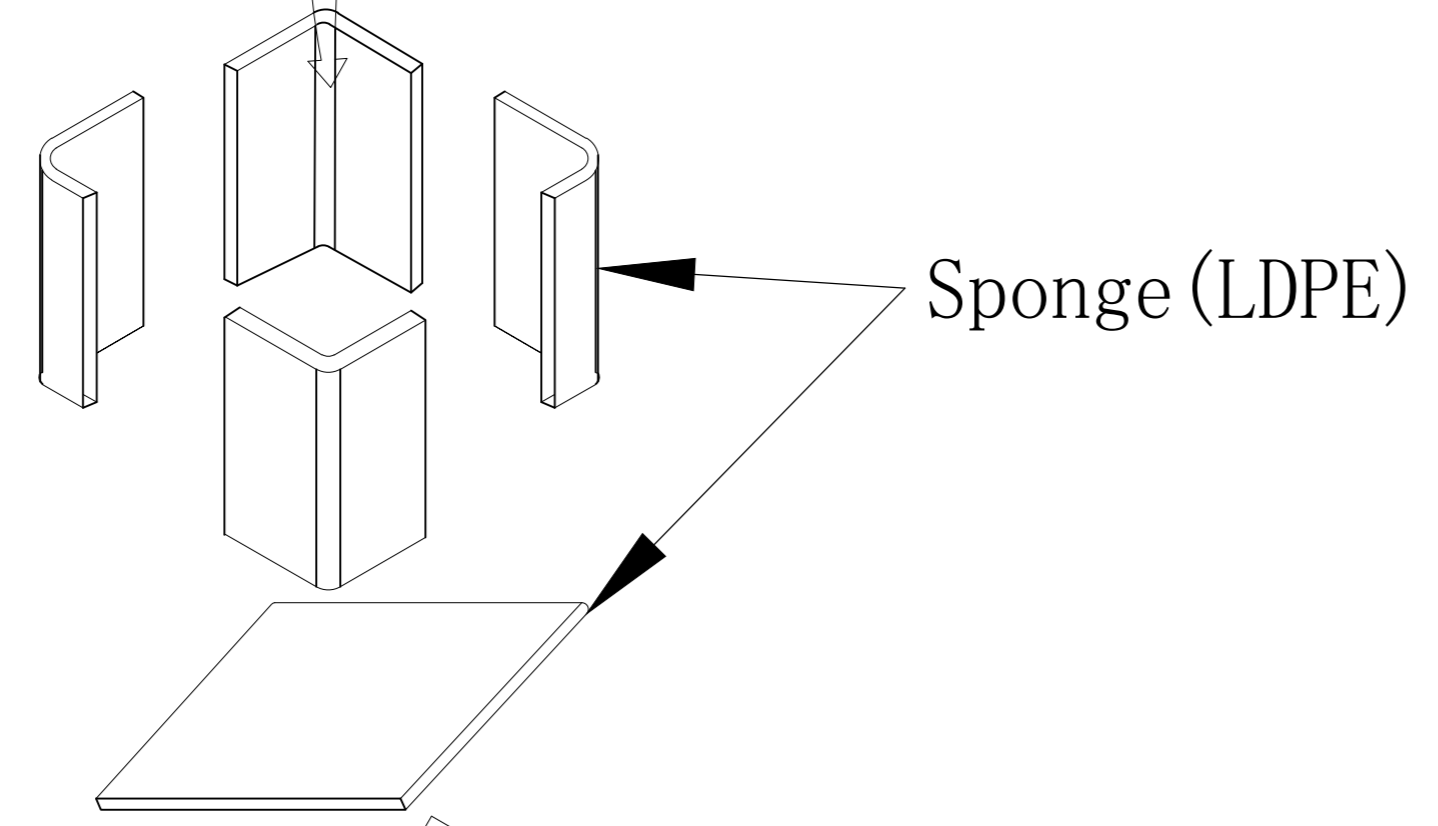


Only suitable for 5-2308107-9

4.3kg	2.4kg	40	10	400	5-2308107-9
GROSS WEIGHT	NET WEIGHT	PCS/ TRAY	TRAY/ BOX	PCS/ BOX	PART NUMBER



Each box has 10 soft trays and 1 soft lid. Each soft tray has 40 products. 400 products in a box in total, and then with PE film to fix around it.



SOFT TRAY II

THIS DRAWING IS A CONTROLLED DOCUMENT.		DWN DAVID ZHAO 15AUG2016	TE Connectivity	
DIMENSIONS: mm		CHK SIMON LI 15AUG2016		
TOLERANCES UNLESS OTHERWISE SPECIFIED:		APVD COREL WANG 15AUG2016	NAME	
0 PLC ± -		PRODUCT SPEC	SOCKET ASSEMBLY	
1 PLC ± 0.25		APPLICATION SPEC	DDR4 DIMM,T/H TYPE	
2 PLC ± 0.15		WEIGHT -	SIZE A2	CAGE CODE 00779
3 PLC ± -0.10		FINISH -	DRAWING NO C=2308107	
4 PLC ± -		CUSTOMER DRAWING	RESTRICTED TO	
ANGLES ± -		SCALE 1:1	SHEET 8 of 8	REV 29

X-ON Electronics

Largest Supplier of Electrical and Electronic Components

Click to view similar products for [DIMM Connectors](#) category:

Click to view products by [TE Connectivity](#) manufacturer:

Other Similar products are found below :

[1-1932649-2](#) [1-1761024-0](#) [2309411-5](#) [296409204002856+](#) [10116658-252ASLF](#) [5390471-1](#) [2309413-3](#) [78507-0061](#) [KIT-SODIMM-1X16GB/01](#) [10129206-0010013LF](#) [10086891-052TSLF](#) [10079192-11102LF](#) [10116658-152FSLF](#) [10129206-0011113LF](#) [1-2308107-0](#) [2013310-1](#) [2013289-1](#) [390111-1](#) [390112-1](#) [2309413-1](#) [2309407-1](#) [2309414-1](#) [10081530-12208LF](#) [151080-0001](#) [78726-1004](#) [10005639-11107LF](#) [10005639-11109LF](#) [10005639-12207LF](#) [10023061-10207LF](#) [10033853-252FSLF](#) [10033853-052ASLF](#) [10033853-052FSLF](#) [10033853-152FSLF](#) [10033854-052FSLF](#) [10034542-10002LF](#) [10037402-12207LF](#) [10081530-11107LF](#) [10081530-12207LF](#) [10081530-12218LF](#) [10124632-0030001LF](#) [10124806-01006LF](#) [10145891-0320J13LF](#) [10145226-0241N13LF](#) [59354-052FSLF](#) [59355-052FSLF](#) [DDR4288S0211TF](#) [DDR4288S0511H](#) [DDR4288S0511TF](#) [DDR4288V0123TF](#) [DDR4288V0213TF](#)