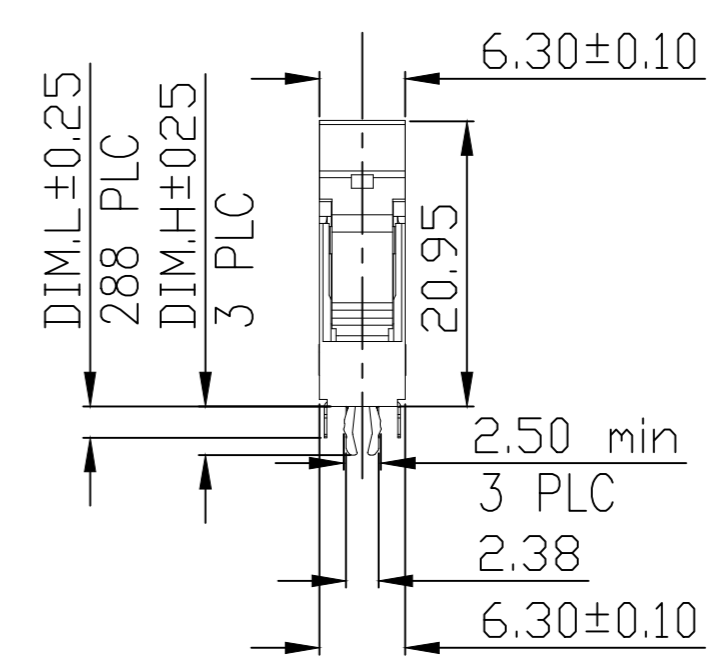
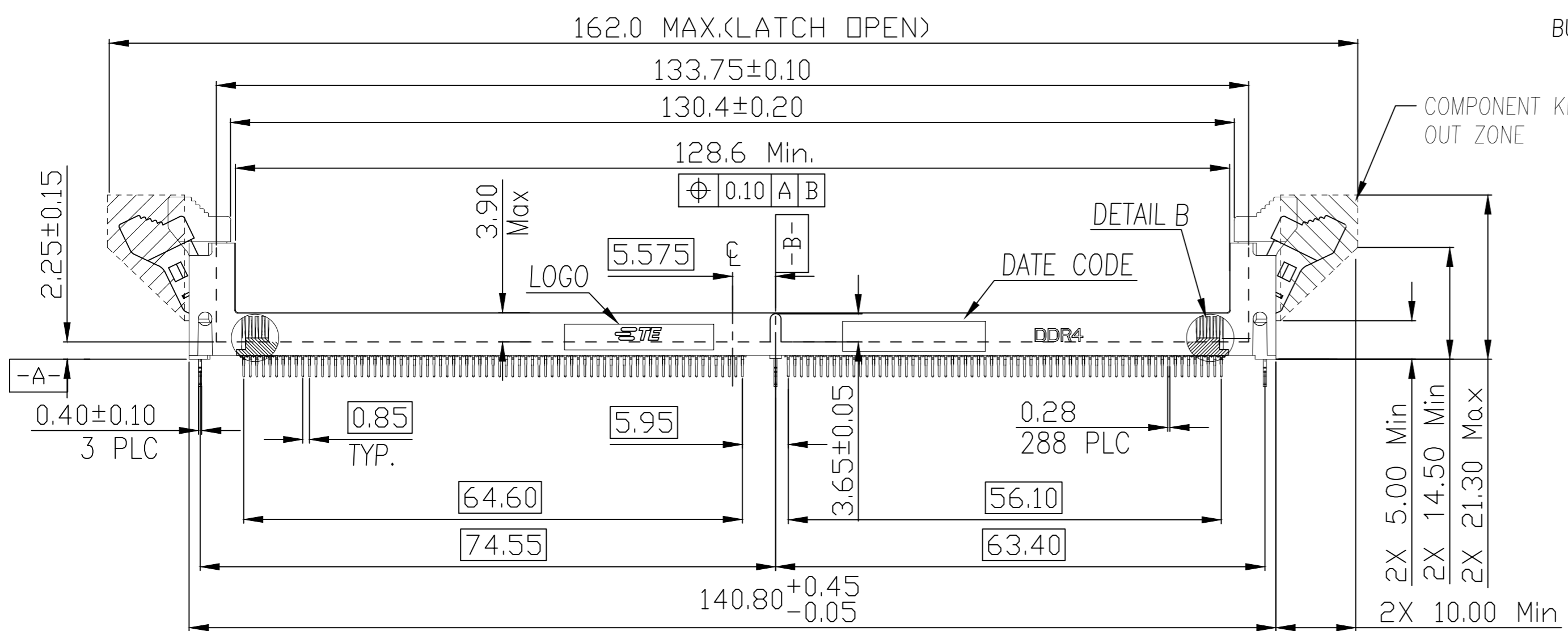
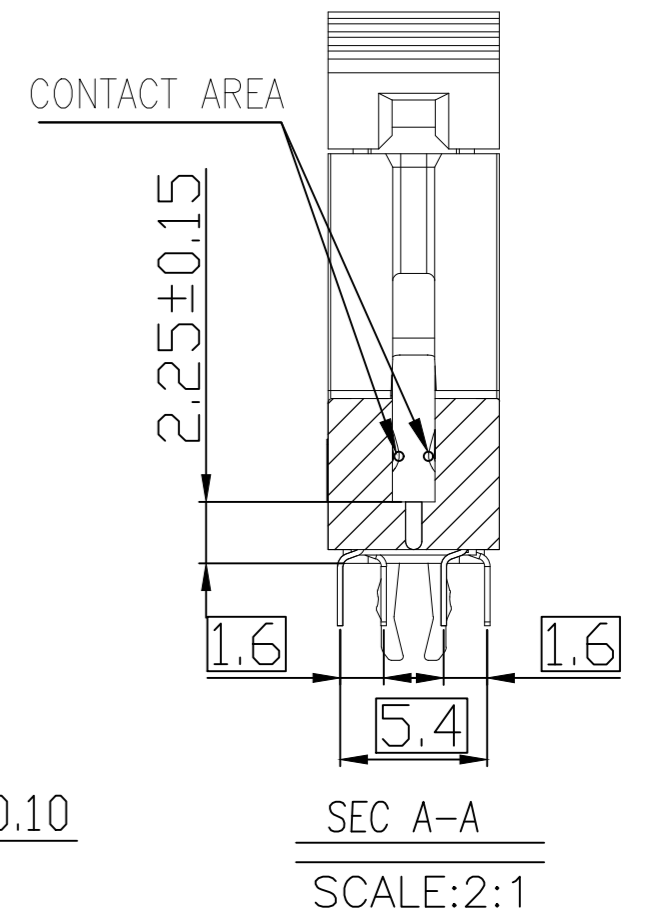
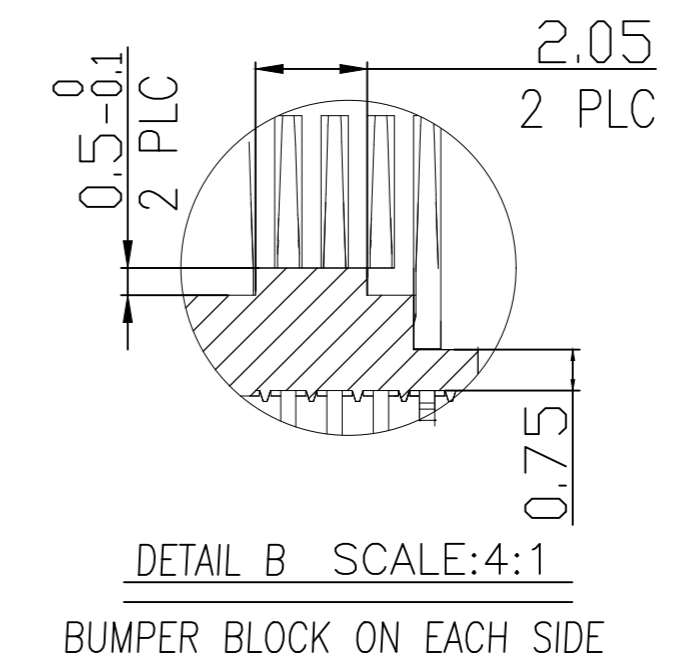
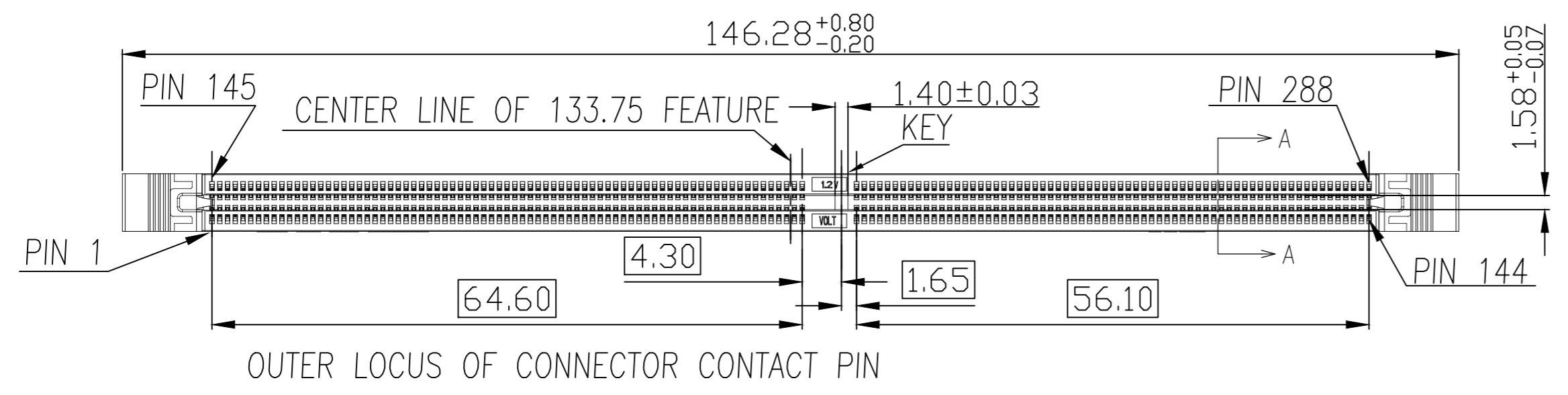


REVISIONS				
P	LTR	DESCRIPTION	DATE	APVD
29		REVISED PER ECR-19-011318	14OCT2019	D.Z S.L

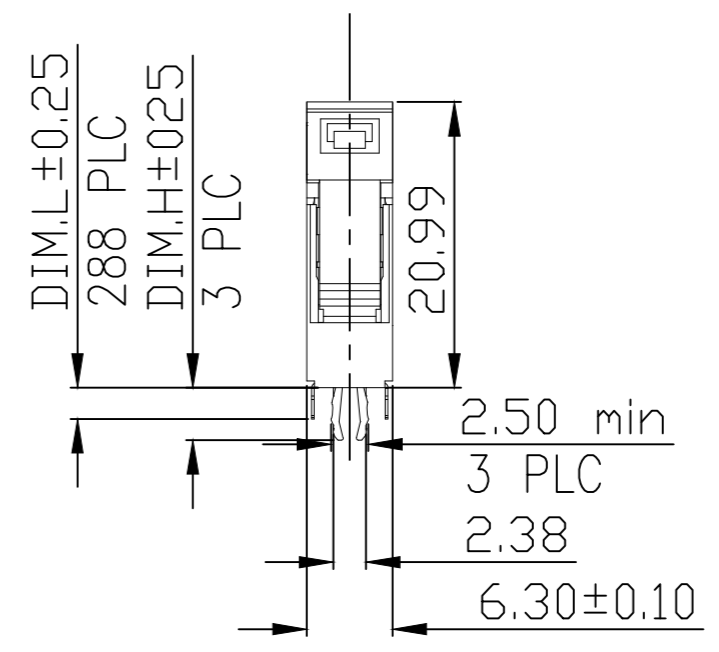
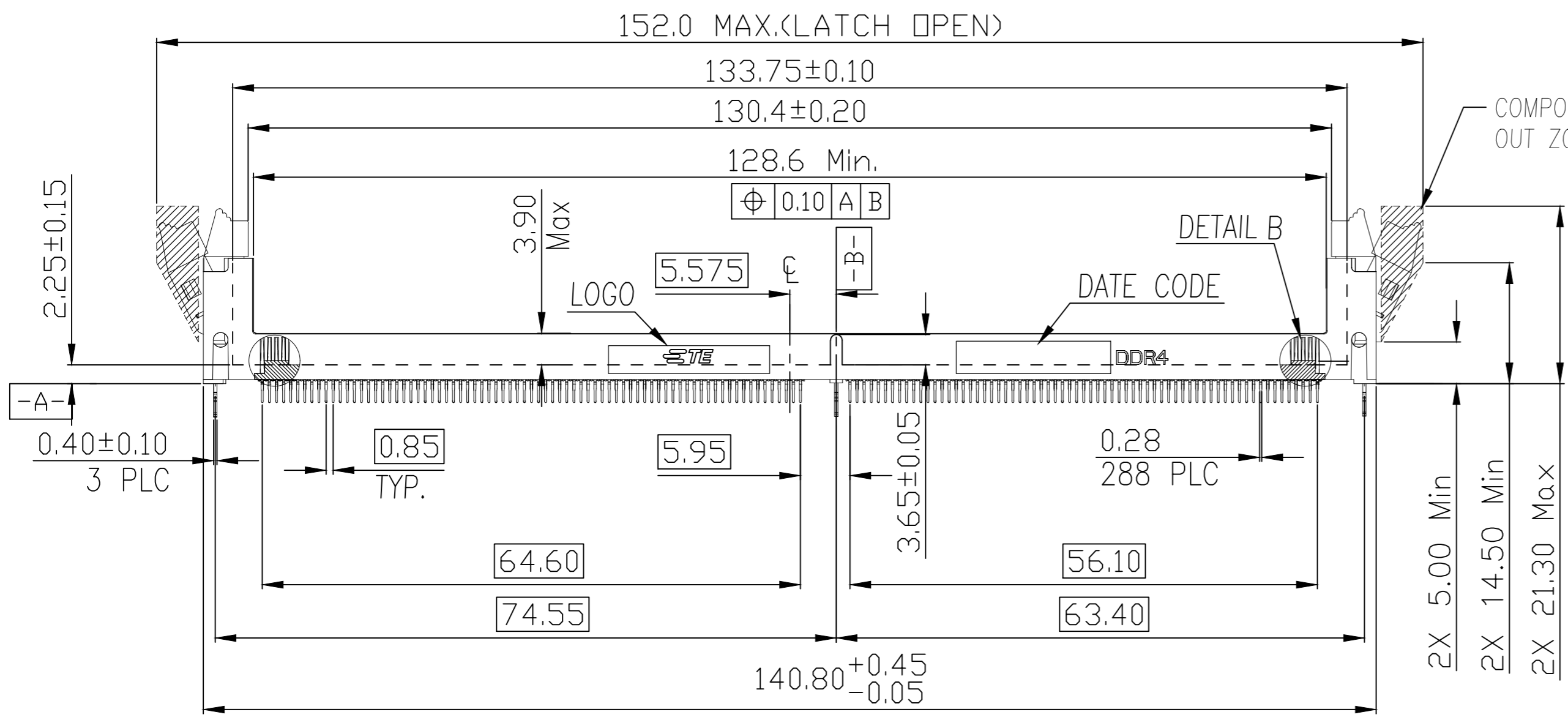
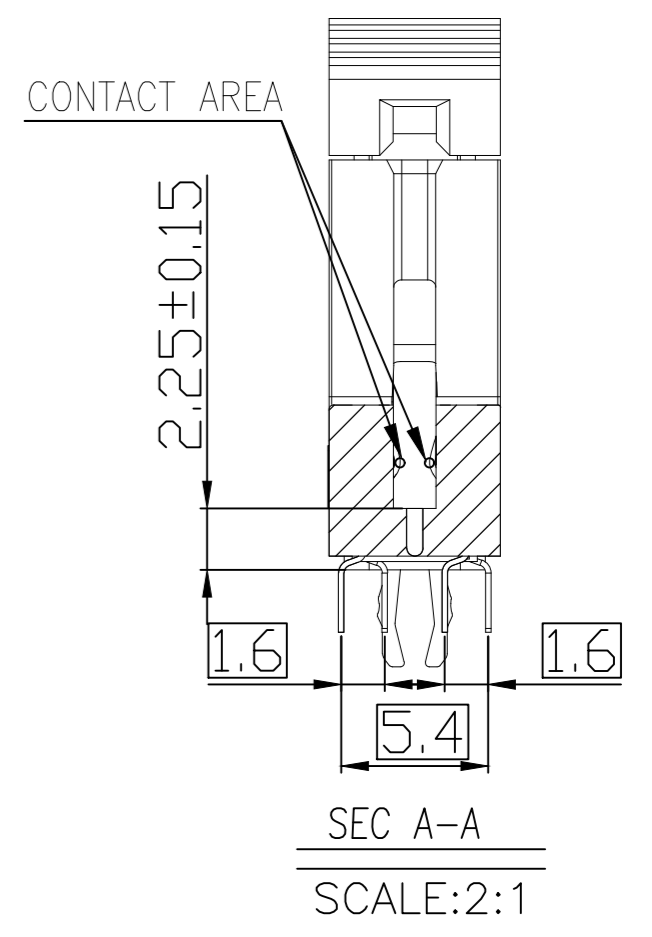
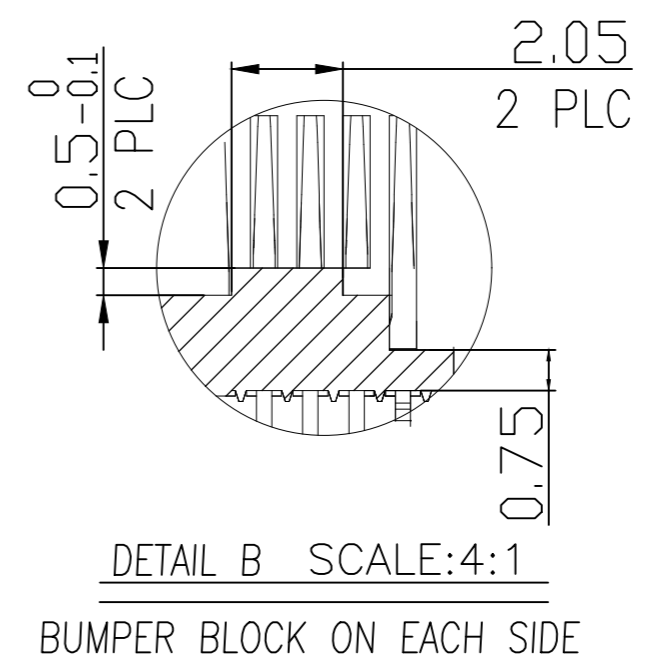
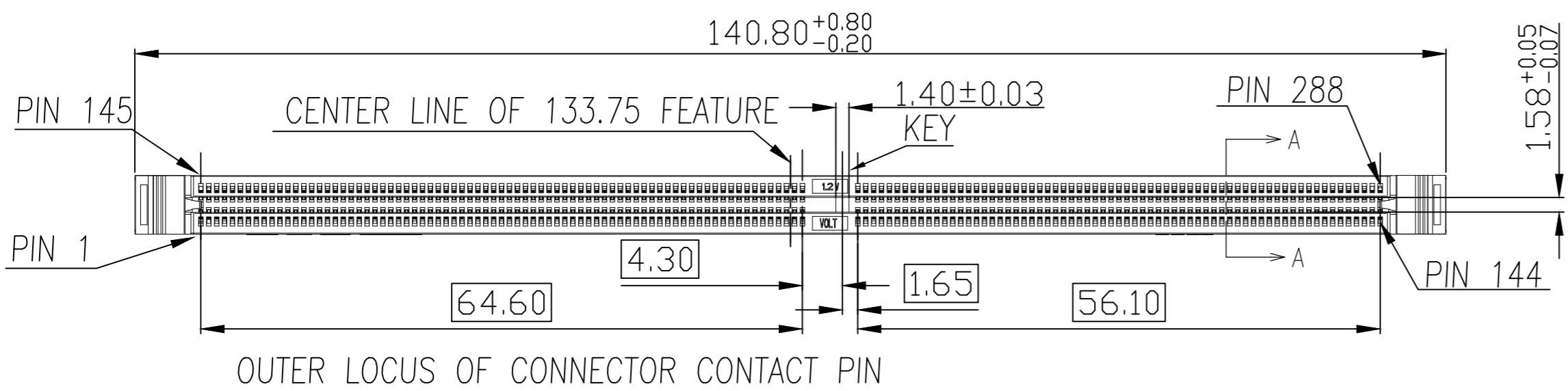


- NOTES:
- PRODUCT MEET CONTROLLED SUBSTANCES SPEC. ROHS 2.0
  - MATERIAL:
    - HOUSING: HIGH TEMPERATURE THERMOPLASTIC, UL94 V-0
    - LATCH: HIGH TEMPERATURE THERMOPLASTIC, UL94 V-0
    - CONTACT: COPPER ALLOY
    - BOARD LOCK: STAINLESS STEEL
  - INTERFACE FINISH:
    - 0.00038 MIN THK GOLD OVER 0.00127 MIN THK NICKEL.
    - GOLD FLASH OVER 0.00127 MIN THK NICKEL.
    - 0.00076 MIN THK GOLD OVER 0.00127 MIN THK NICKEL
  - SOLDER AREA: 2.54 $\mu$ m[100u"] MIN. MATTE TIN PLATING.
  - WAVE SOLDER CAPABLE TO 270°C 10S.
  - KEEP OUT AREA RESERVED FOR SOCKET EXTRACTORS, BOTH ENDS.
  - SLOT LENGTH SHOULD BE INSPECTED AFTER SOLDERING.

# DUAL LONG LATCH

THIS DRAWING IS A CONTROLLED DOCUMENT.		DWN DAVID ZHAO 15AUG2016	TE Connectivity	
		CHK SIMON LI 15AUG2016		
		APVD COREL WANG 15AUG2016	NAME	
		PRODUCT SPEC	SOCKET ASSEMBLY	
		APPLICATION SPEC	DDR4 DIMM,T/H TYPE	
		108-115124	288 POSITION	
		WEIGHT 7.3g	SIZE A2	RESTRICTED TO
		CUSTOMER DRAWING	CAGE CODE 00779	
		SCALE 1:1	DRAWING NO. C=2308107	
		SHEET 1 of 8		REV 29

REVISIONS					
P	LTR	DESCRIPTION	DATE	DWN	APVD
-	-	SEE SHEET 1	-	-	-

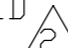


# DUAL SHORT LATCH


THIS DRAWING IS A CONTROLLED DOCUMENT.		DWN DAVID ZHAO 15AUG2016		
DIMENSIONS: mm		CHK SIMON LI 15AUG2016		
TOLERANCES UNLESS OTHERWISE SPECIFIED:		APVD COREL WANG 15AUG2016	NAME	
0 PLC ± -		PRODUCT SPEC	SOCKET ASSEMBLY	
1 PLC ± 0.25		APPLICATION SPEC	DDR4 DIMM,T/H TYPE	
2 PLC ± 0.15		108-115124	288 POSITION	
3 PLC ± -0.10		WEIGHT 7.0g	SIZE A2	CAGE CODE 00779
4 PLC ± -		CUSTOMER DRAWING	DRAWING NO. C=2308107	RESTRICTED TO -
ANGLES ± -		SCALE 1:1	SHEET 2 of 8	REV 29
FINISH -				

THIS DRAWING IS UNPUBLISHED. RELEASED FOR PUBLICATION  
 © COPYRIGHT - By - ALL RIGHTS RESERVED.


REVISIONS					
P	LTR	DESCRIPTION	DATE	DWN	APVD
-	-	SEE SHEET 1	-	-	-

HARD TRAY	NATURAL	BLACK	30u"	3.85	3.18	7-2308107-2
SOFT TRAY I	BLUE<2935U>	BLUE<2935U>	15u"	3.57	2.67	7-2308107-1
SOFT TRAY I	NATURAL	BLUE<2935U>	30u"	3.85	3.18	7-2308107-0
SOFT TRAY I	BLACK_260°C	BLACK_260°C	15u"	3.57	2.67	6-2308107-8
SOFT TRAY I	NATURAL	NATURAL	15u"	3.85	3.18	6-2308107-7
SOFT TRAY I	NATURAL	BLACK	15u"	3.57	2.40	6-2308107-6
SOFT TRAY I	NATURAL	BLUE<2935U>	15u"	3.85	3.18	6-2308107-5
SOFT TRAY I	NATURAL	BLACK	15u"	3.85	3.18	6-2308107-4
SOFT TRAY I	NATURAL	BLACK	30u"	3.57	2.67	6-2308107-3
SOFT TRAY I	NATURAL	NATURAL	30u"	3.85	3.18	6-2308107-2
SOFT TRAY I	GREEN<375C>	BLACK	30u"	3.85	3.18	6-2308107-1
SOFT TRAY I	NATURAL	BLACK	30u"	3.85	3.18	6-2308107-0
SOFT TRAY II	BLACK	BLACK	30u"	3.85	3.18	5-2308107-9
SOFT TRAY I	NATURAL	NATURAL	30u"	3.57	2.10	5-2308107-8
SOFT TRAY I	BLACK	BLACK	30u"	3.57	2.10	5-2308107-7
SOFT TRAY I	BLACK	BLACK	30u"	3.57	2.67	5-2308107-6
SOFT TRAY I	NATURAL	NATURAL	30u"	3.57	2.67	5-2308107-5
SOFT TRAY I	BLACK	BLACK	15u"	3.57	2.67	5-2308107-4
SOFT TRAY I	NATURAL	NATURAL	15u"	3.57	2.67	5-2308107-3
SOFT TRAY I	NATURAL	BLUE<2935U>	15u"	3.57	2.67	5-2308107-2
SOFT TRAY I	NATURAL	BLACK	15u"	3.57	2.67	5-2308107-1
PACKING	LATCH COLOR	HOUSING COLOR	CONTACT GOLD INTERFACE 	DIM H	DIM L	PART NUMBER

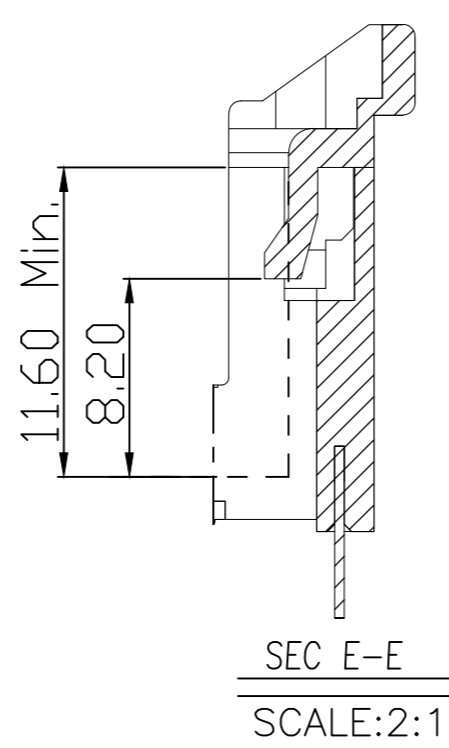
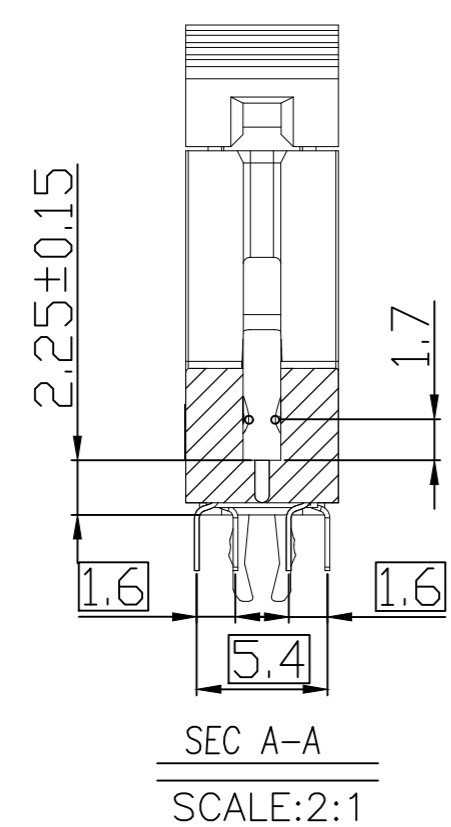
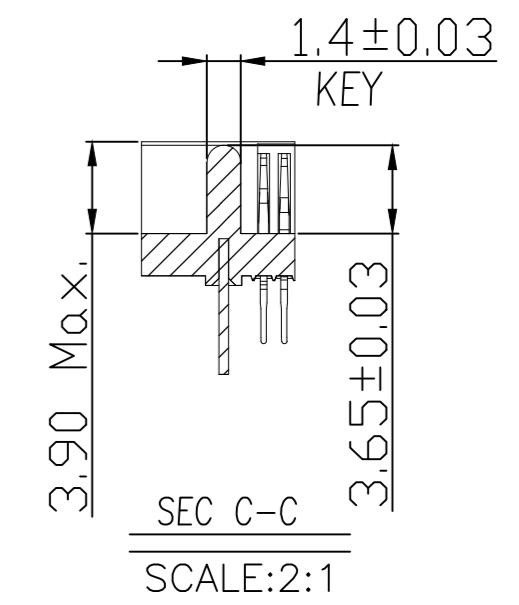
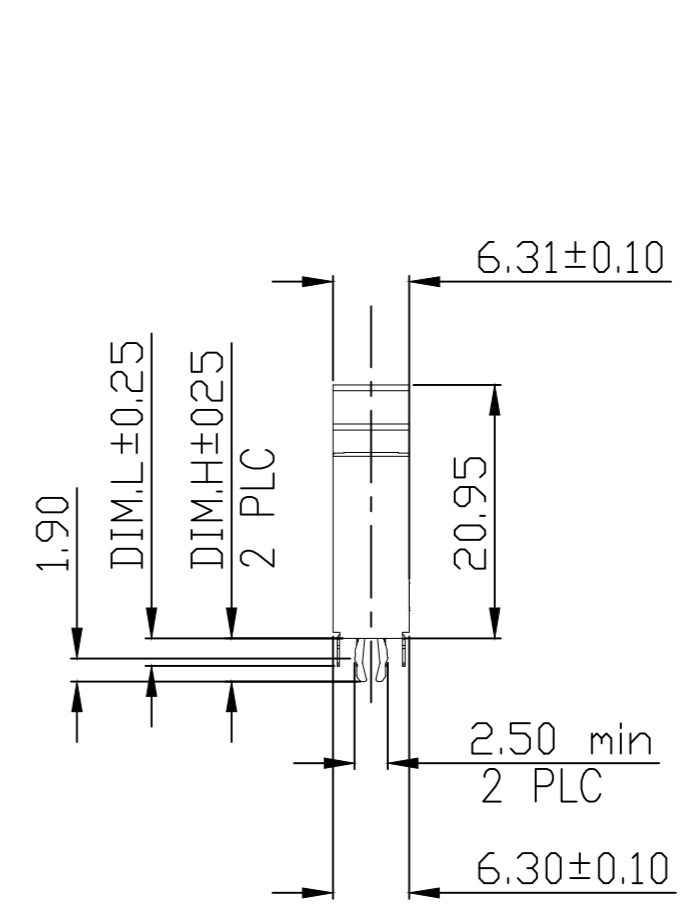
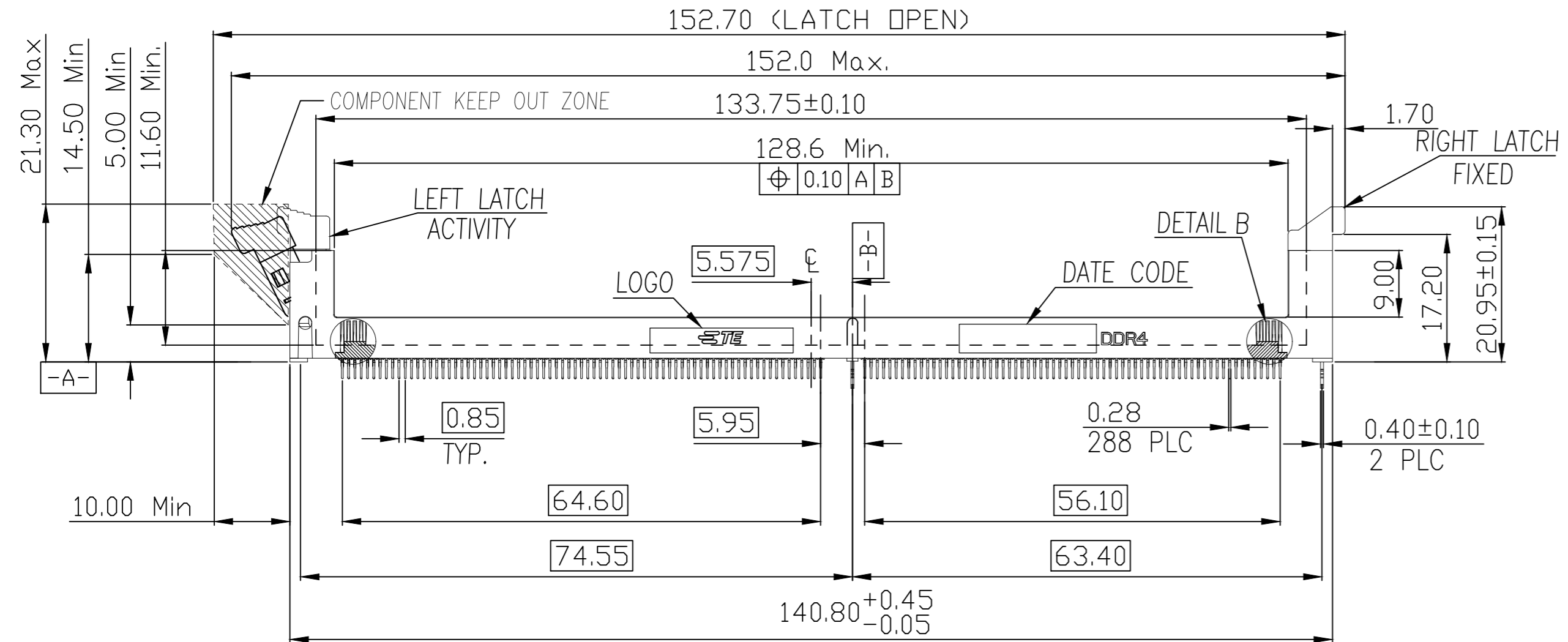
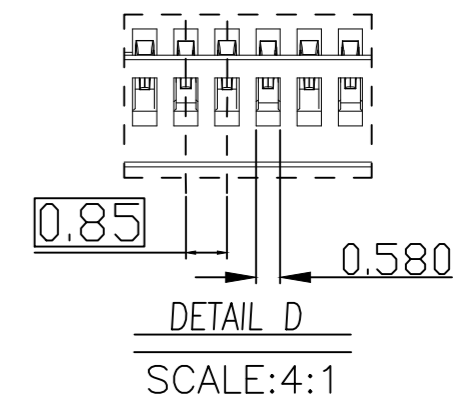
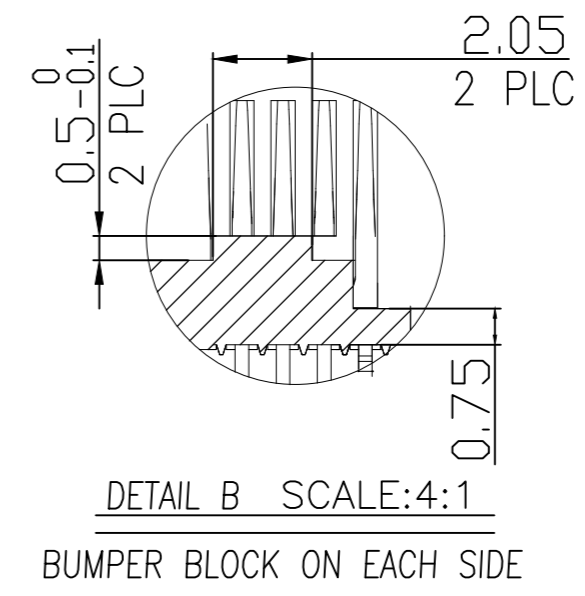
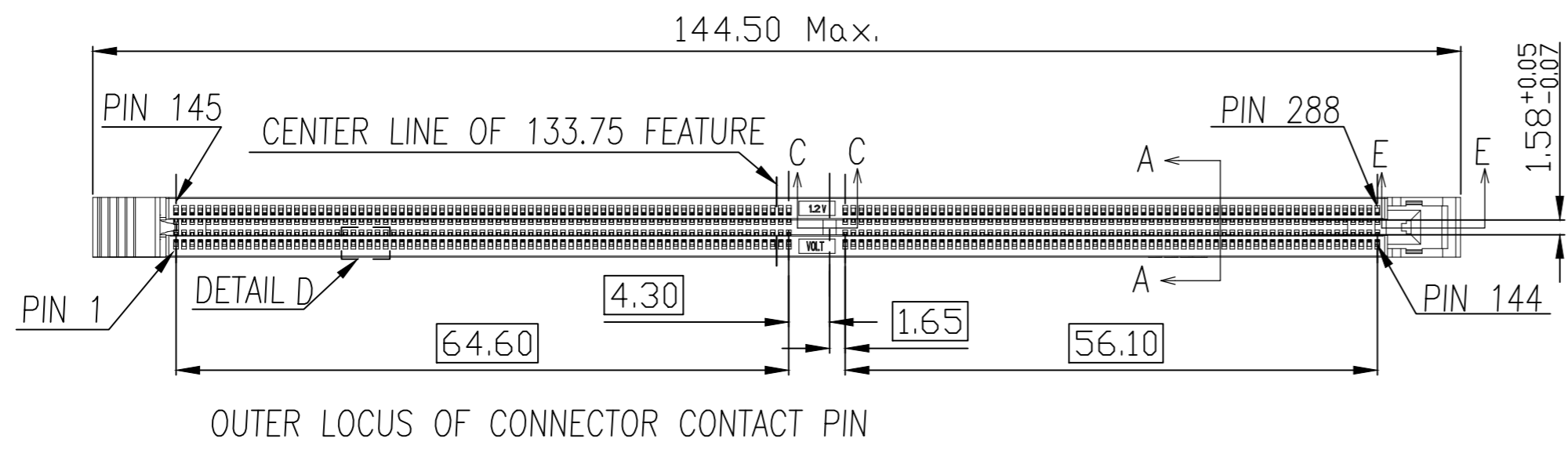
SHORT LATCH TYPE

SOFT TRAY I	NATURAL_260°C	BLUE<2935U>_260°C	30u"	3.00	2.40	4-2308107-9
SOFT TRAY I	NATURAL_260°C	BLACK_260°C	30u"	3.00	2.40	4-2308107-8
HARD TRAY	NATURAL_260°C	BLACK_260°C	15u"	3.57	2.67	4-2308107-7
SOFT TRAY I	BLUE<2935U>	BLUE<2935U>	30u"	3.57	2.67	4-2308107-6
SOFT TRAY I	NATURAL	BLUE<2935U>	30u"	3.85	3.18	4-2308107-5
SOFT TRAY I	NATURAL	YELLOW<107C>	15u"	3.57	2.67	4-2308107-4
SOFT TRAY I	BLACK	BLACK	15u"	3.57	2.67	4-2308107-3
SOFT TRAY I	BLUE<2935U>	BLUE<2935U>	30u"	3.85	3.18	4-2308107-2
HARD TRAY	BLUE<2935U>_260°C	BLUE<2935U>_260°C	15u"	3.85	3.18	4-2308107-1
HARD TRAY	BLACK_260°C	BLACK_260°C	15u"	3.85	3.18	4-2308107-0
SOFT TRAY I	NATURAL	YELLOW<107C>	30u"	3.57	2.67	3-2308107-5
SOFT TRAY I	NATURAL	YELLOW<107C>	30u"	3.57	2.40	3-2308107-1
SOFT TRAY I	NATURAL	BLACK	30u"	3.57	2.40	3-2308107-0
SOFT TRAY I	NATURAL	BLACK	15u"	3.57	2.67	2-2308107-7
SOFT TRAY I	NATURAL	BLUE<2935U>	15u"	3.57	2.67	2-2308107-4
SOFT TRAY I	NATURAL	BLACK	30u"	3.57	2.40	2-2308107-3
SOFT TRAY I	NATURAL	BLACK	30u"	3.85	3.18	2-2308107-2
SOFT TRAY I	NATURAL	BLACK	15u"	3.57	2.40	2-2308107-1
SOFT TRAY I	BLUE<2935U>	BLUE<2935U>	15u"	3.85	3.18	2-2308107-0
SOFT TRAY I	GREEN<375C>	GREEN<375C>	15u"	3.85	3.18	1-2308107-9
SOFT TRAY I	NATURAL	NATURAL	15u"	3.85	3.18	1-2308107-8
SOFT TRAY I	BLACK	BLACK	15u"	3.85	3.18	1-2308107-7
SOFT TRAY I	BLACK	BLACK	30u"	3.57	2.10	1-2308107-6
SOFT TRAY I	NATURAL	BLACK	30u"	3.57	2.10	1-2308107-5
SOFT TRAY I	GREEN<375C>	BLACK	30u"	3.57	2.10	1-2308107-4
SOFT TRAY I	BLACK	BLACK	30u"	3.57	2.67	1-2308107-3
SOFT TRAY I	NATURAL	BLACK	30u"	3.57	2.67	1-2308107-2
SOFT TRAY I	GREEN<375C>	BLACK	30u"	3.57	2.67	1-2308107-1
SOFT TRAY I	NATURAL	BLACK	15u"	3.57	2.10	1-2308107-0
SOFT TRAY I	NATURAL	BLUE<2935U>	15u"	3.57	2.10	2308107-9
SOFT TRAY I	NATURAL	GREEN<375C>	15u"	3.57	2.10	2308107-8
SOFT TRAY I	NATURAL	BLACK	15u"	3.85	3.18	2308107-7
SOFT TRAY I	NATURAL	BLUE<2935U>	15u"	3.85	3.18	2308107-6
SOFT TRAY I	NATURAL	NATURAL	30u"	3.57	2.40	2308107-5
SOFT TRAY I	BLACK	BLACK	30u"	3.57	2.40	2308107-4
SOFT TRAY I	NATURAL	GREEN<375C>	15u"	3.57	2.40	2308107-3
SOFT TRAY I	NATURAL	BLUE<2935U>	15u"	3.57	2.40	2308107-2
SOFT TRAY I	BLACK	BLACK	15u"	3.57	2.40	2308107-1
PACKING	LATCH COLOR	HOUSING COLOR	CONTACT GOLD INTERFACE 	DIM H	DIM L	PART NUMBER

LONG LATCH TYPE

THIS DRAWING IS A CONTROLLED DOCUMENT.		DWN DAVID ZHAO 15AUG2016	 TE Connectivity	
DIMENSIONS: mm		CHK SIMON LI 15AUG2016		
TOLERANCES UNLESS OTHERWISE SPECIFIED:		APVD COREL WANG 15AUG2016	NAME	
0 PLC ± -		PRODUCT SPEC	SOCKET ASSEMBLY	
1 PLC ± 0.25		APPLICATION SPEC	DDR4 DIMM,T/H TYPE	
2 PLC ± 0.15		WEIGHT -	288 POSITION	
3 PLC ± -0.10		SCALE 1:1	RESTRICTED TO	
4 PLC ± -		SHEET 3 of 8	REV 29	
ANGLES ± -		CUSTOMER DRAWING	-	
FINISH -		A2 00779 C=2308107		

REVISIONS					
P	LTR	DESCRIPTION	DATE	DWN	APVD
-	-	SEE SHEET 1	-	-	-



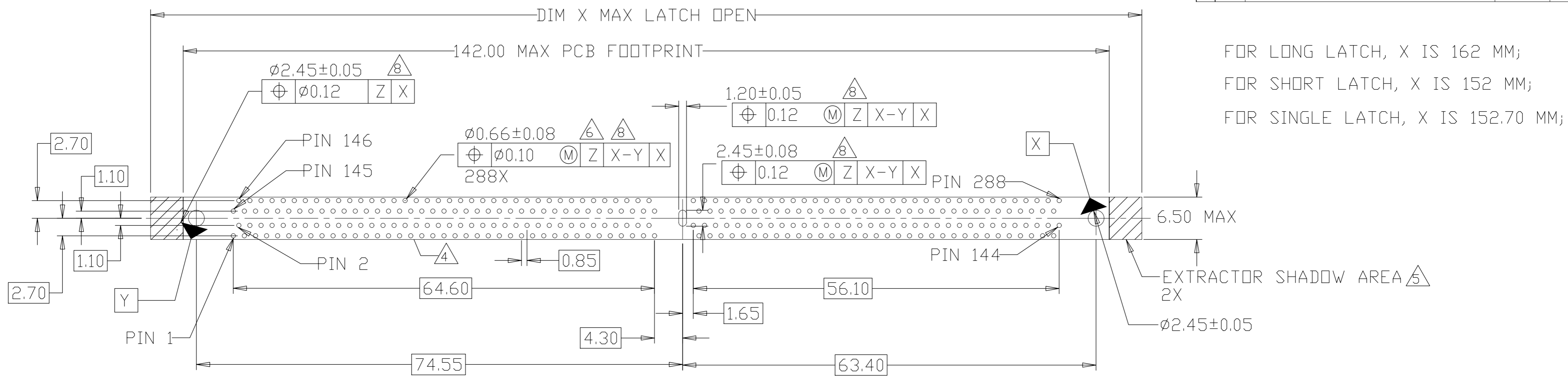
# LEFT ACTIVITY LATCH

NATURAL	NATURAL	BLUE(2935U)	15u" MIN.	3.85	2.67	9-2308107-2
FIXED LATCH COLOR	ACTIVITY LATCH COLOR	BLACK	CONTACT GOLD INTERFACE	3.85	2.67	9-2308107-1
		HOUSING COLOR		DIM H	DIM L	PART NUMBER

THIS DRAWING IS A CONTROLLED DOCUMENT.		DWN DAVID ZHAO 15AUG2016		
DIMENSIONS: mm		CHK SIMON LI 15AUG2016		
TOLERANCES UNLESS OTHERWISE SPECIFIED:		APVD COREL WANG 15AUG2016	NAME	
0 PLC ± -	1 PLC ± 0.25	PRODUCT SPEC	SOCKET ASSEMBLY	
2 PLC ± 0.15	3 PLC ± -0.10	APPLICATION SPEC	DDR4 DIMM,T/H TYPE	
4 PLC ± -	ANGLES ± -	108-115124	288 POSITION	
MATERIAL		WEIGHT 7.6g	SIZE A2	CAGE CODE 00779
FINISH		CUSTOMER DRAWING	DRAWING NO C=2308107	RESTRICTED TO
		SCALE 1:1	SHEET 4 of 8	REV 29

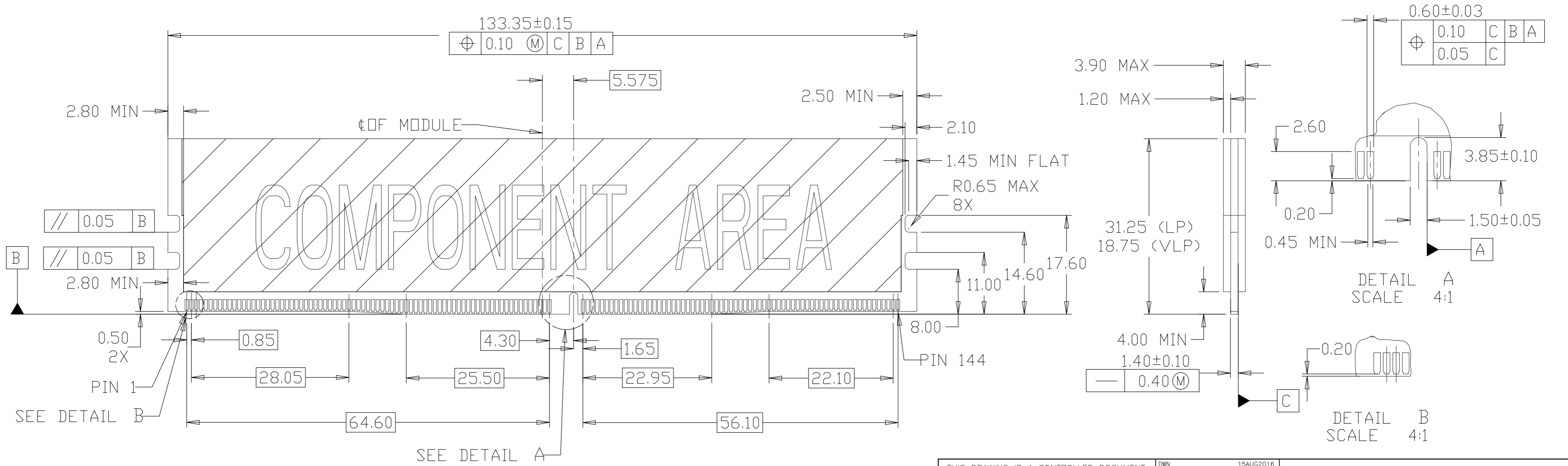
THIS DRAWING IS UNPUBLISHED. RELEASED FOR PUBLICATION  
 © COPYRIGHT - By - ALL RIGHTS RESERVED.

REVISIONS					
P	LTR	DESCRIPTION	DATE	DWN	APVD
-	-	SEE SHEET 1	-	-	-



FOR LONG LATCH, X IS 162 MM;  
 FOR SHORT LATCH, X IS 152 MM;  
 FOR SINGLE LATCH, X IS 152.70 MM;

RECOMMENDED PCB LAYOUT  
 VIEWED FROM CONNECTOR SIDE

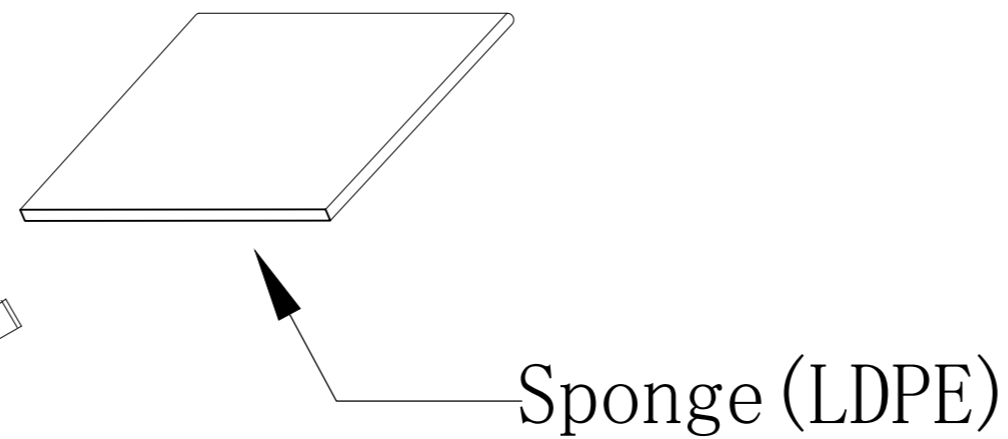
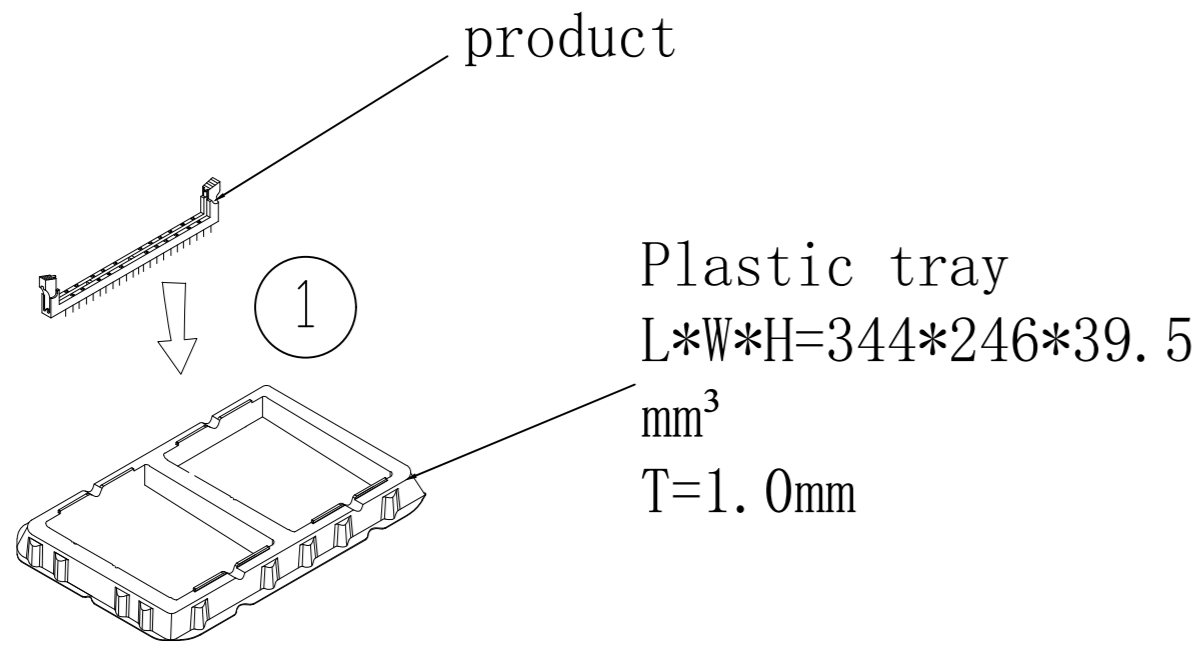


RECOMMENDED MODULE LAYOUT

THIS DRAWING IS A CONTROLLED DOCUMENT.		DWN DAVID ZHAO 15AUG2016	<b>TE Connectivity</b>					
DIMENSIONS: mm		CHK SIMON LI 15AUG2016				NAME		
TOLERANCES UNLESS OTHERWISE SPECIFIED:		APVD COREL WANG 15AUG2016				SOCKET ASSEMBLY DDR4 DIMM,T/H TYPE 288 POSITION		
0 PLC ± - 1 PLC ± 0.25 2 PLC ± 0.15 3 PLC ± -0.10 4 PLC ± - ANGLES ± - FINISH -		PRODUCT SPEC 108				SIZE A2	CAGE CODE 00779	DRAWING NO. C=2308107
MATERIAL -		APPLICATION SPEC -	WEIGHT -	RESTRICTED TO -	SCALE 1:1			
CUSTOMER DRAWING			SHEET 5 of 8	REV 29				

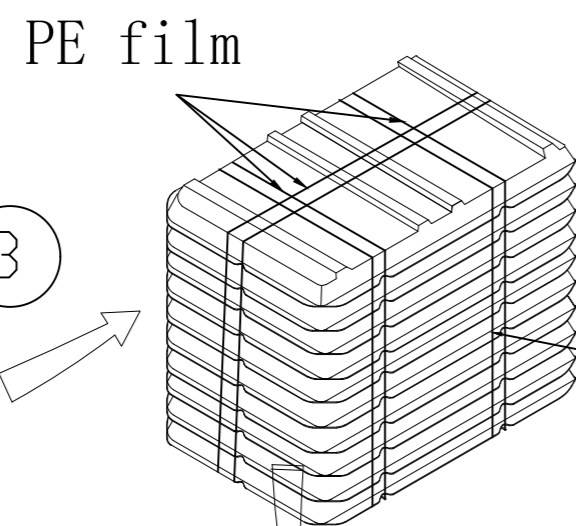
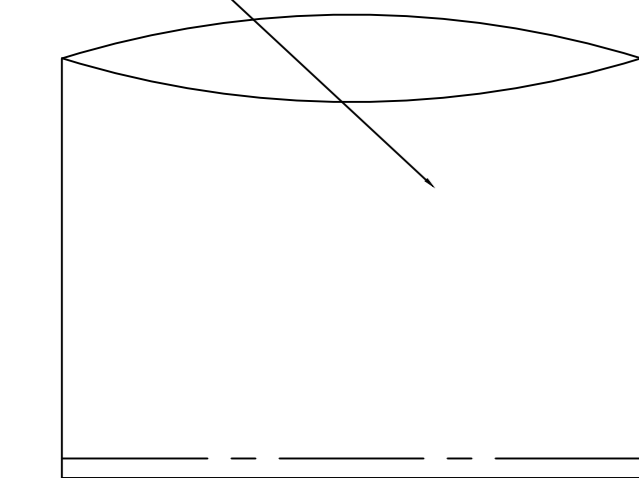
THIS DRAWING IS UNPUBLISHED. RELEASED FOR PUBLICATION  
 © COPYRIGHT - By - ALL RIGHTS RESERVED.

REVISIONS					
P	LTR	DESCRIPTION	DATE	DWN	APVD
-	-	SEE SHEET 1	-	-	-

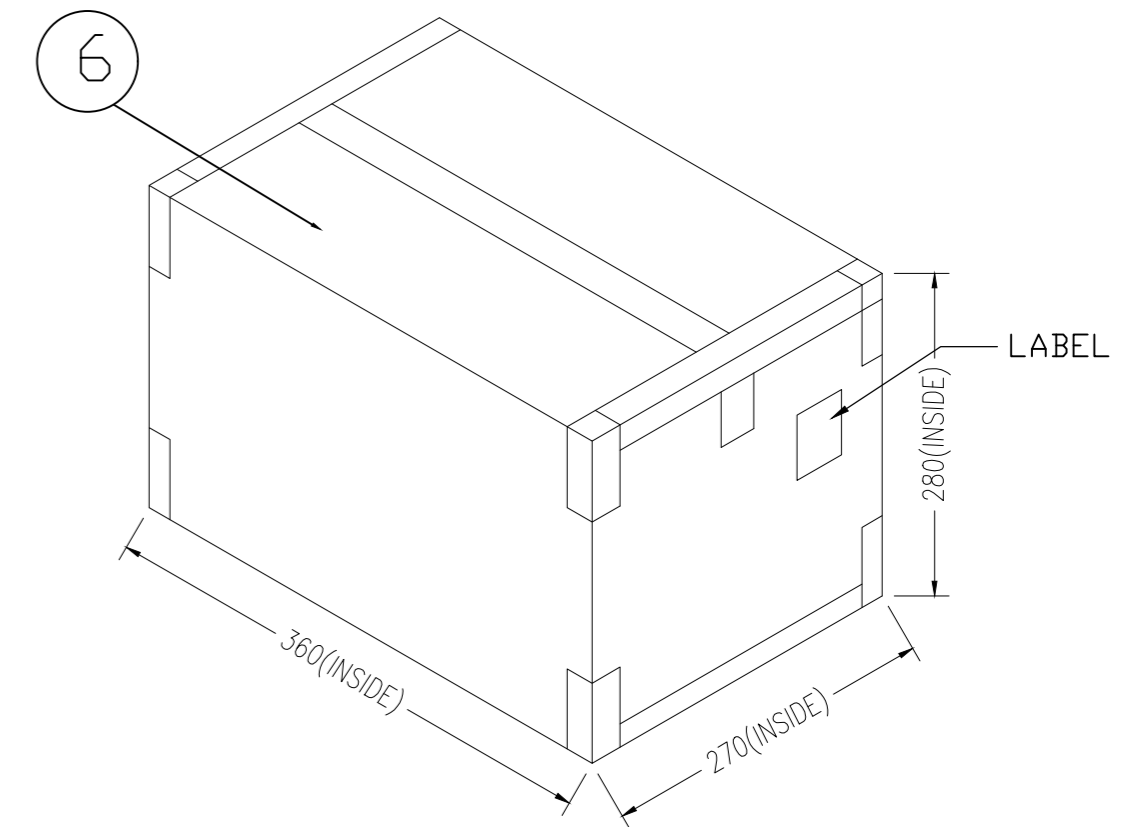
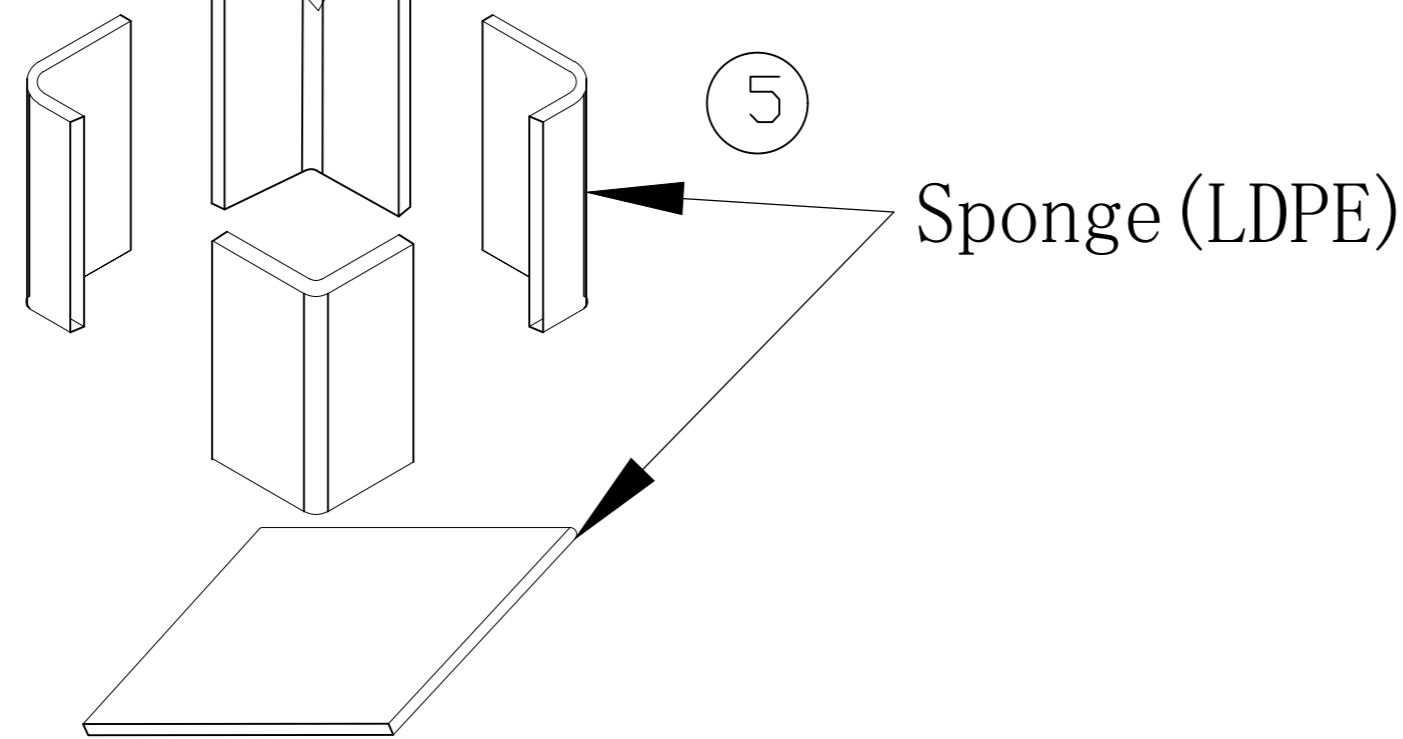


5.4kg	3.5kg	50	10	500	SEE PAGE 3
GROSS WEIGHT	NET WEIGHT	PCS/ TRAY	TRAY/ BOX	PCS/ BOX	PART NUMBER

Waterproof bag



Each box has 10 plastic trays and 1 plastic lid. Each plastic tray has 50 products.  
 500 products in a box in total, and then with PE film to fix around it.

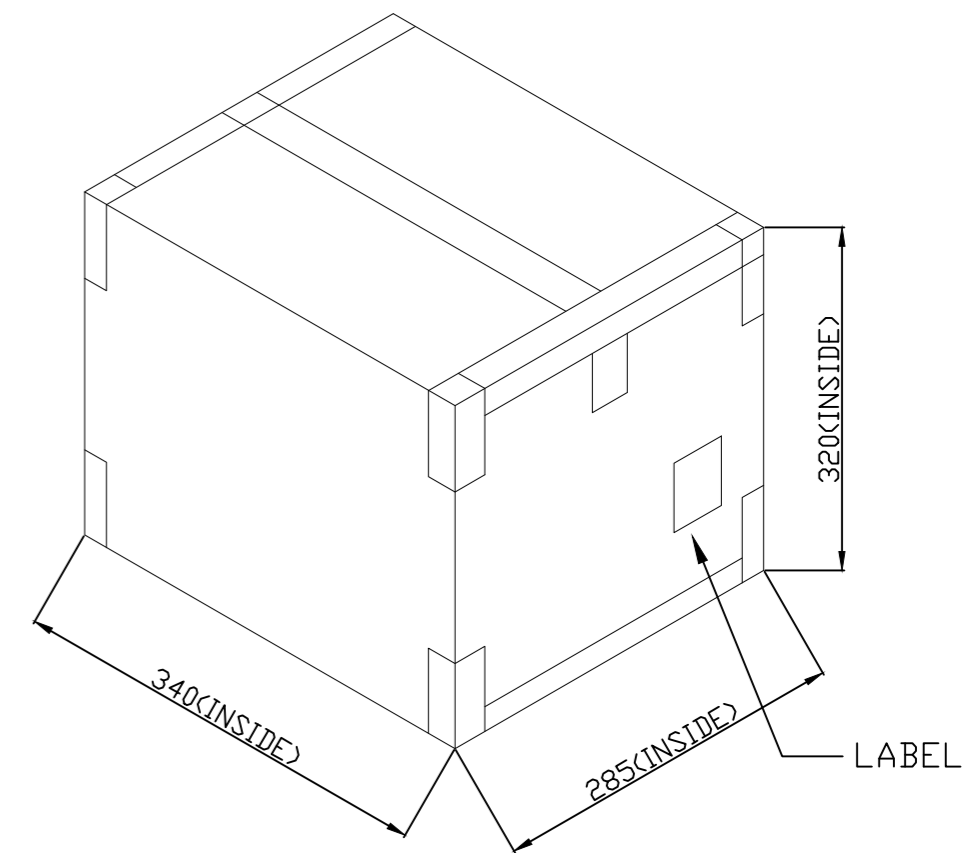
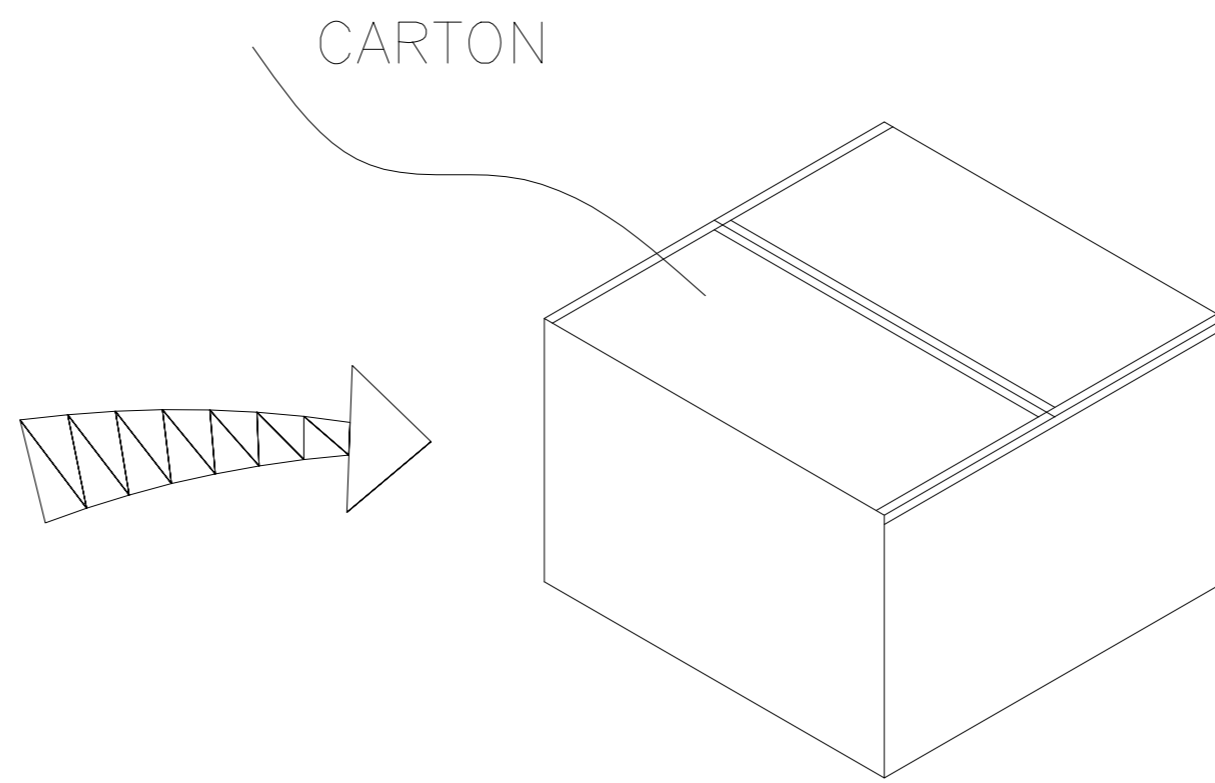
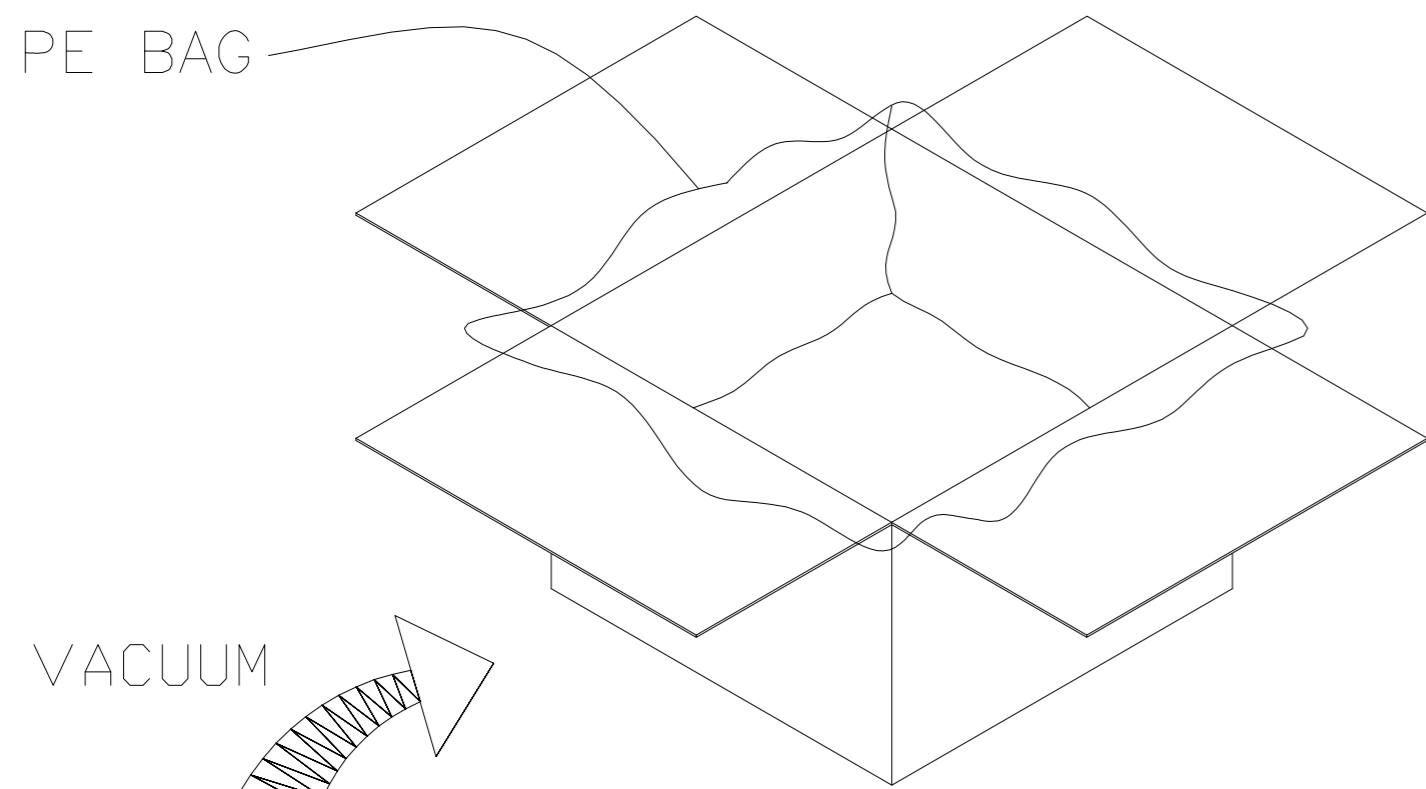
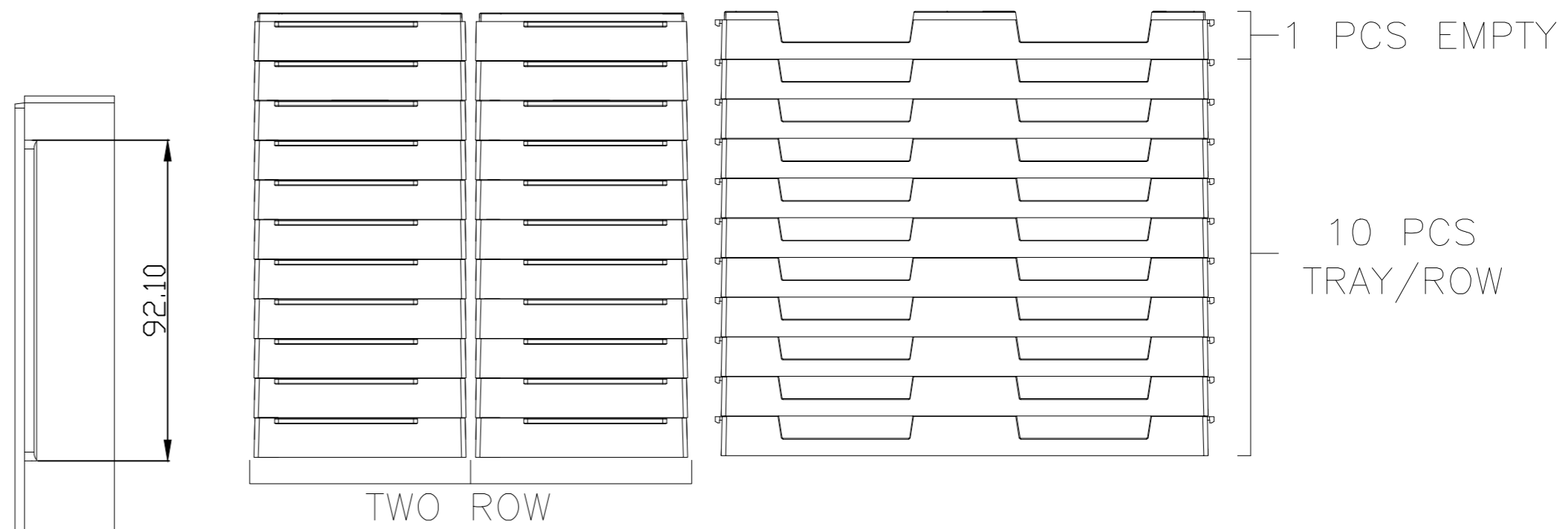
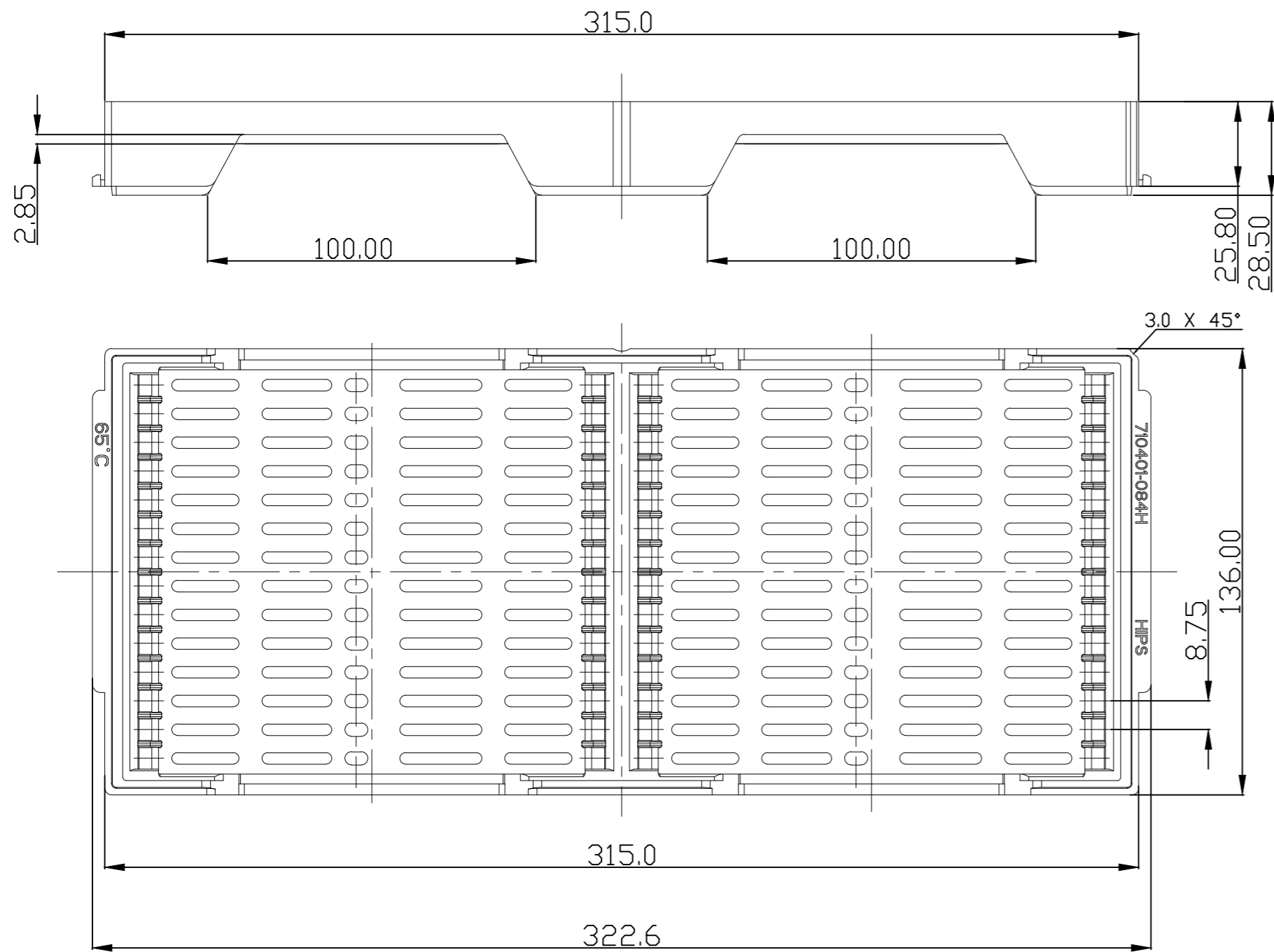


### SOFT TRAY I

THIS DRAWING IS A CONTROLLED DOCUMENT.		DWN DAVID ZHAO 15AUG2016	<b>STE</b> TE Connectivity	
		CHK SIMON LI 15AUG2016		
DIMENSIONS: mm		APVD COREL WANG 15AUG2016	NAME	
TOLERANCES UNLESS OTHERWISE SPECIFIED:		PRODUCT SPEC	SOCKET ASSEMBLY	
0 PLC ± -		108	DDR4 DIMM,T/H TYPE	
1 PLC ± 0.25		APPLICATION SPEC	288 POSITION	
2 PLC ± 0.15		WEIGHT -	SIZE A2	CAGE CODE 00779
3 PLC ± -0.10		FINISH -	DRAWING NO C=2308107	RESTRICTED TO -
4 PLC ± -		CUSTOMER DRAWING	SCALE 1:1	SHEET 6 of 8
ANGLES ± -				REV 29

THIS DRAWING IS UNPUBLISHED. RELEASED FOR PUBLICATION  
 © COPYRIGHT - By - ALL RIGHTS RESERVED.

REVISIONS					
P	LTR	DESCRIPTION	DATE	DWN	APVD
-	-	SEE SHEET 1	-	-	-



THE 22 PCS HARD TRAY INTO CARTON

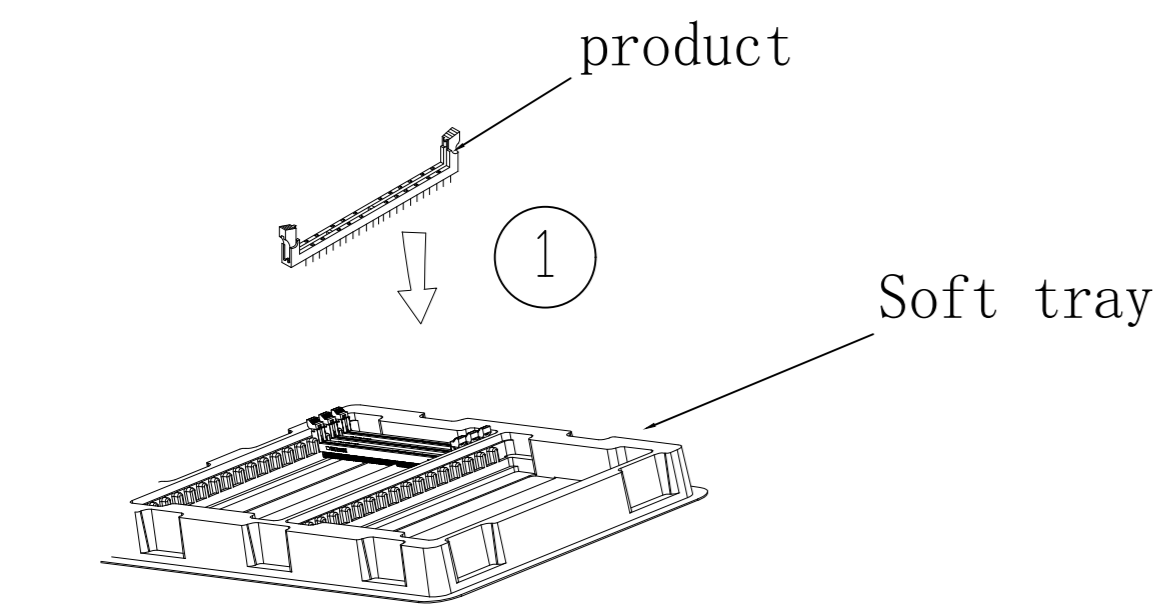
4.8kg	3.92kg	28	20	560	SEE PAGE 3
GROSS WEIGHT	NET WEIGHT	PCS/ TRAY	TRAY/ BOX	PCS/ BOX	PART NUMBER

HARD TRAY

THIS DRAWING IS A CONTROLLED DOCUMENT.		DWN DAVID ZHAO 15AUG2016	TE Connectivity		
DIMENSIONS: mm		CHK SIMON LI 15AUG2016			
TOLERANCES UNLESS OTHERWISE SPECIFIED:		APVD COREL WANG 15AUG2016	NAME		
0 PLC ± -		PRODUCT SPEC	SOCKET ASSEMBLY		
1 PLC ± 0.25		APPLICATION SPEC	DDR4 DIMM,T/H TYPE		
2 PLC ± 0.15		WEIGHT -	288 POSITION		
3 PLC ± -0.10		SCALE 1:1	SIZE A2	CAGE CODE 00779	DRAWING NO C=2308107
4 PLC ± -		RESTRICTED TO -	SHEET 7 of 8		
ANGLES ± -		CUSTOMER DRAWING	REV 29		
FINISH -					

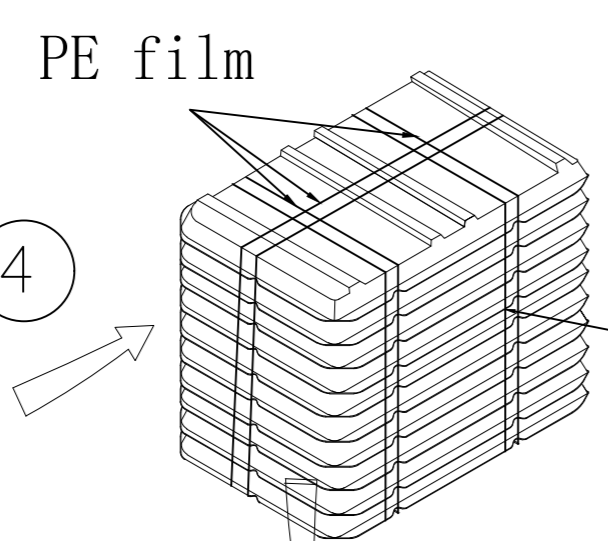
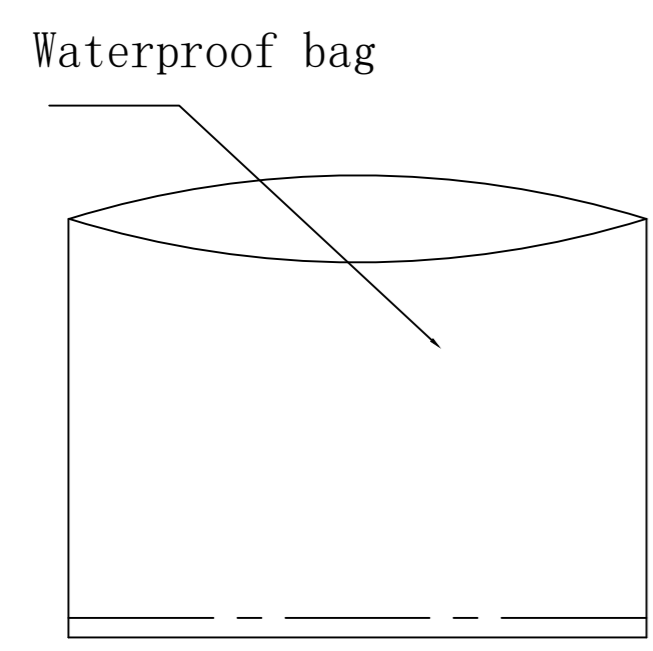
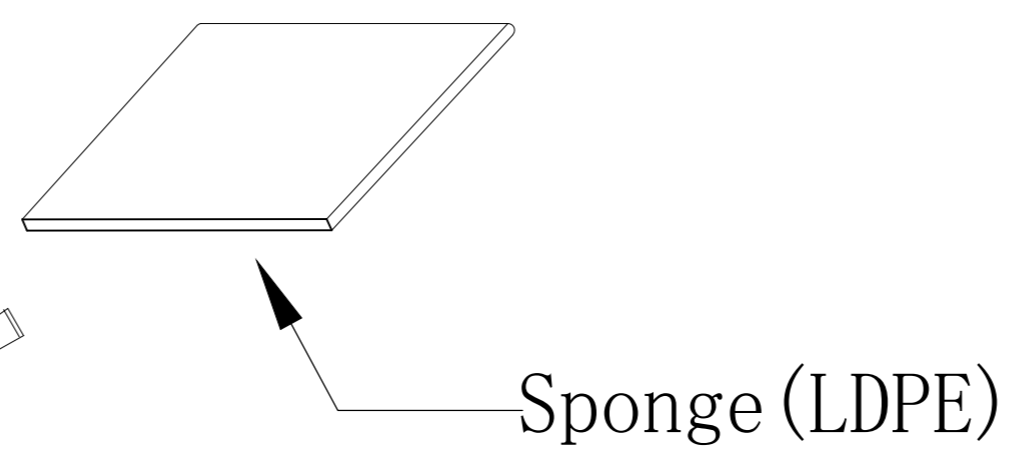
THIS DRAWING IS UNPUBLISHED. RELEASED FOR PUBLICATION  
 © COPYRIGHT - By - ALL RIGHTS RESERVED.

REVISIONS					
P	LTR	DESCRIPTION	DATE	DWN	APVD
-	-	SEE SHEET 1	-	-	-

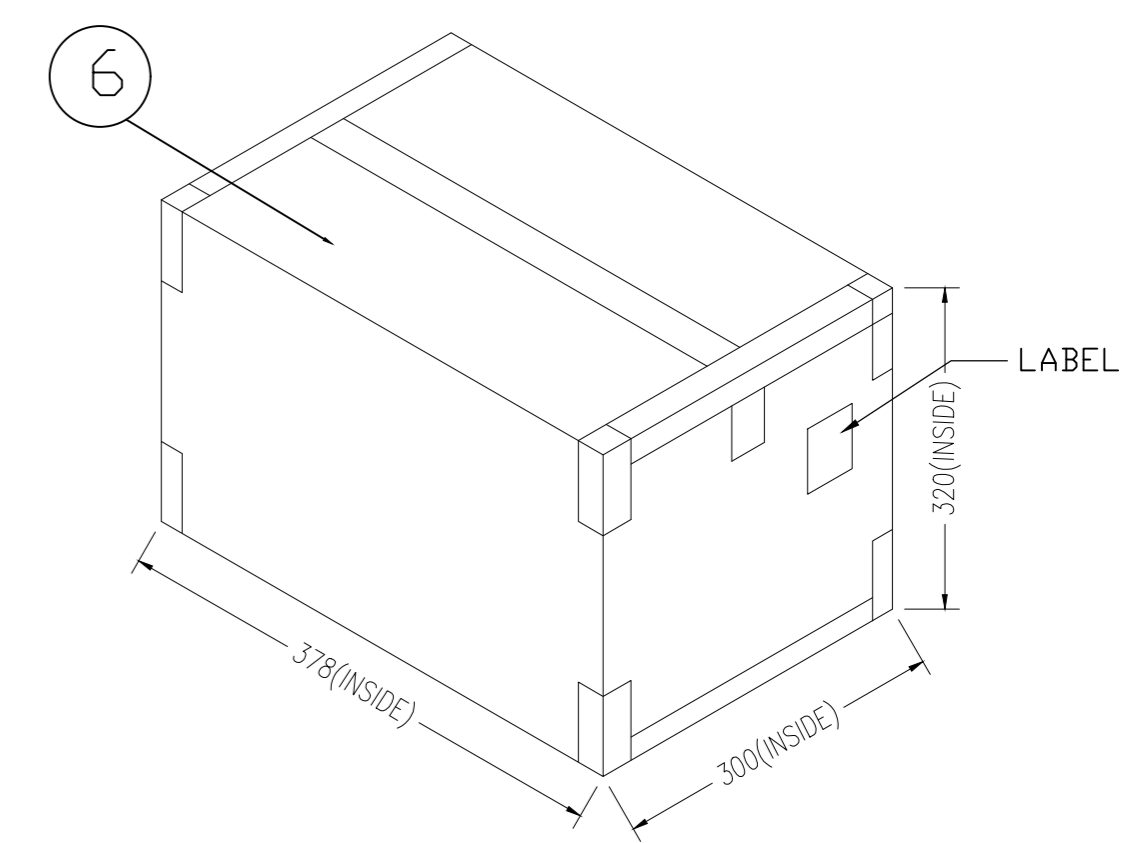
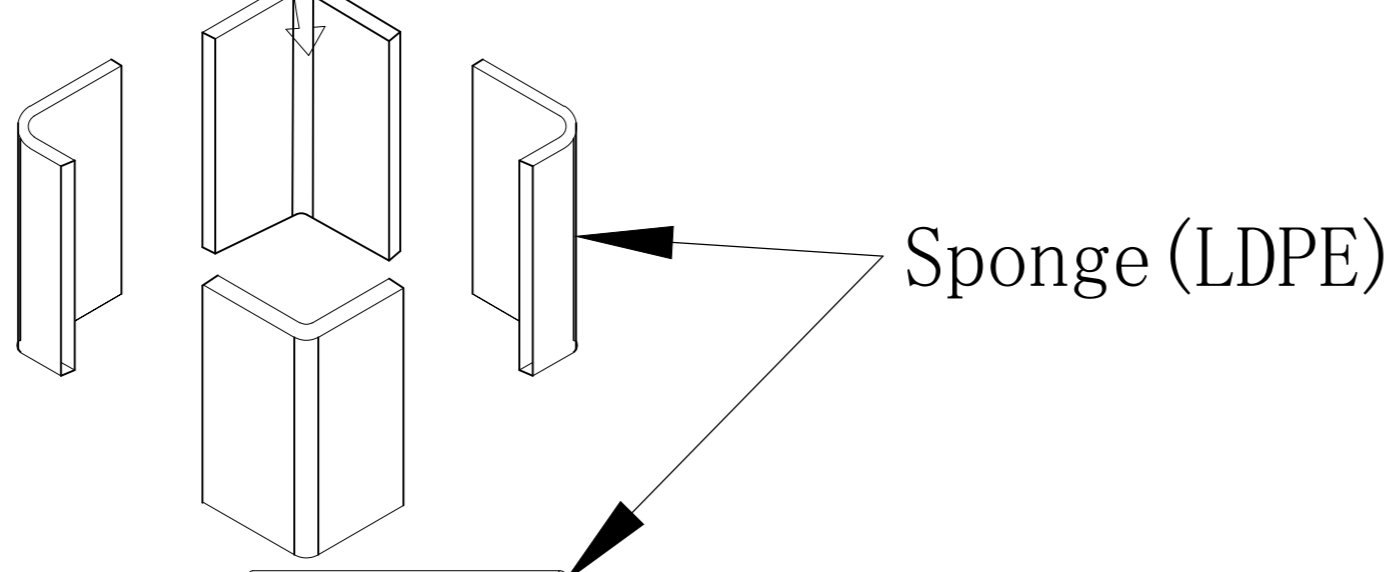


Only suitable for 5-2308107-9

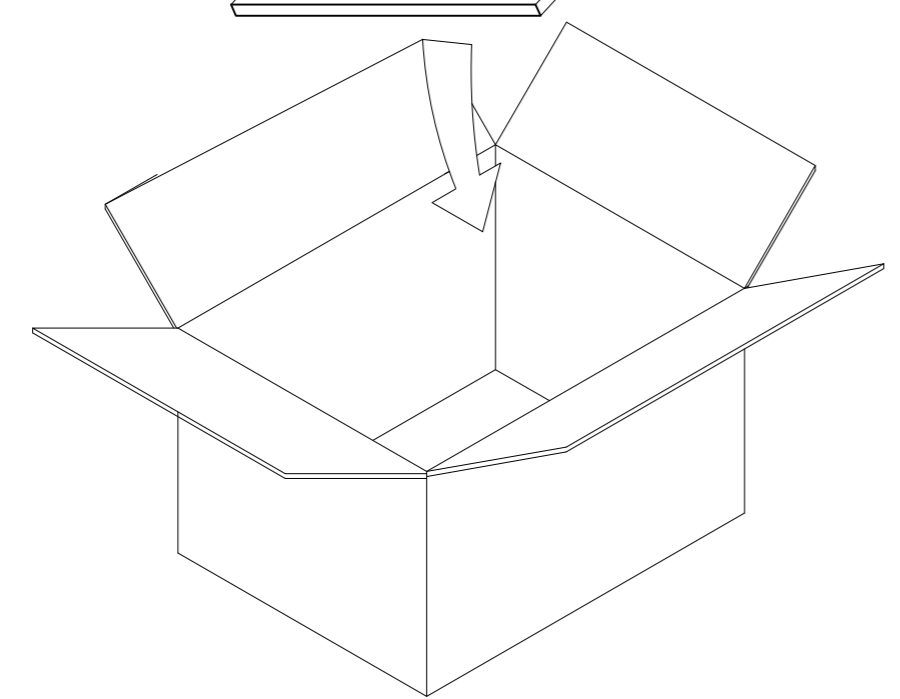
4.3kg	2.4kg	40	10	400	5-2308107-9
GROSS WEIGHT	NET WEIGHT	PCS/ TRAY	TRAY/ BOX	PCS/ BOX	PART NUMBER



Each box has 10 soft trays and 1 soft lid. Each soft tray has 40 products. 400 products in a box in total, and then with PE film to fix around it.



SOFT TRAY II



THIS DRAWING IS A CONTROLLED DOCUMENT.		DWN DAVID ZHAO 15AUG2016	TE Connectivity	
DIMENSIONS: mm		CHK SIMON LI 15AUG2016		
TOLERANCES UNLESS OTHERWISE SPECIFIED:		APVD COREL WANG 15AUG2016	NAME	
0 PLC ± -		PRODUCT SPEC	SOCKET ASSEMBLY	
1 PLC ± 0.25		APPLICATION SPEC	DDR4 DIMM,T/H TYPE	
2 PLC ± 0.15		WEIGHT -	SIZE A2	RESTRICTED TO -
3 PLC ± -0.10		CUSTOMER DRAWING	CAGE CODE 00779	DRAWING NO C=2308107
4 PLC ± -		SCALE 1:1	SHEET 8 of 8	REV 29
ANGLES ± -				
FINISH -				

2308107



## X-ON Electronics

Largest Supplier of Electrical and Electronic Components

*Click to view similar products for [Memory Card Connectors](#) category:*

*Click to view products by [TE Connectivity](#) manufacturer:*

Other Similar products are found below :

[M21-033321-005](#) [6407-249V-25273P](#) [6407-249V-25343P](#) [6426-201-21343](#) [69.920.0553.0](#) [FCN-568P068-G/07-4V](#) [809180410000000](#)  
[HMCAP001](#) [252-0144-000](#) [2041353-2](#) [33CFAE-DN](#) [502431-1011](#) [617230001](#) [NX1-32T-KT3K\(05\)](#) [95622-003LF](#) [N7E50-U516RB-50-](#)  
[SIN0005](#) [95079-00CALF](#) [84648-056HLF](#) [33DVIR-29S12R](#) [125A-78C00](#) [MI20A-50PD-SF-EJL\(71\)](#) [KP10S-SF-PEJ\(812\)](#) [504536-0691](#)  
[504580-0691](#) [CCM03-3109 B LFT](#) [MI21-50PD-SF\(91\)](#) [2309923-1](#) [61126-050CAHLF](#) [IC1GA-68PD-1.27DS-EJ\(72\)](#) [GTFP08432B1HR](#)  
[G85DT17001P1EU](#) [G85B21611142HHR](#) [GSD090144HR](#) [G85D1140022P1HR](#) [GMCB05801124EU](#) [G85C11101152HHR](#)  
[G85B231021B1HR](#) [G85D1160022HHR](#) [123A-21M00](#) [123A-30B00](#) [123A-30A00](#) [123A-21A00](#) [123A-21B00](#) [123A-21E00](#) [123A-30E00](#)  
[123A-30M00](#) [123A-40A00](#) [123A-40E00](#) [123A-40M00](#) [123A-58B01](#)