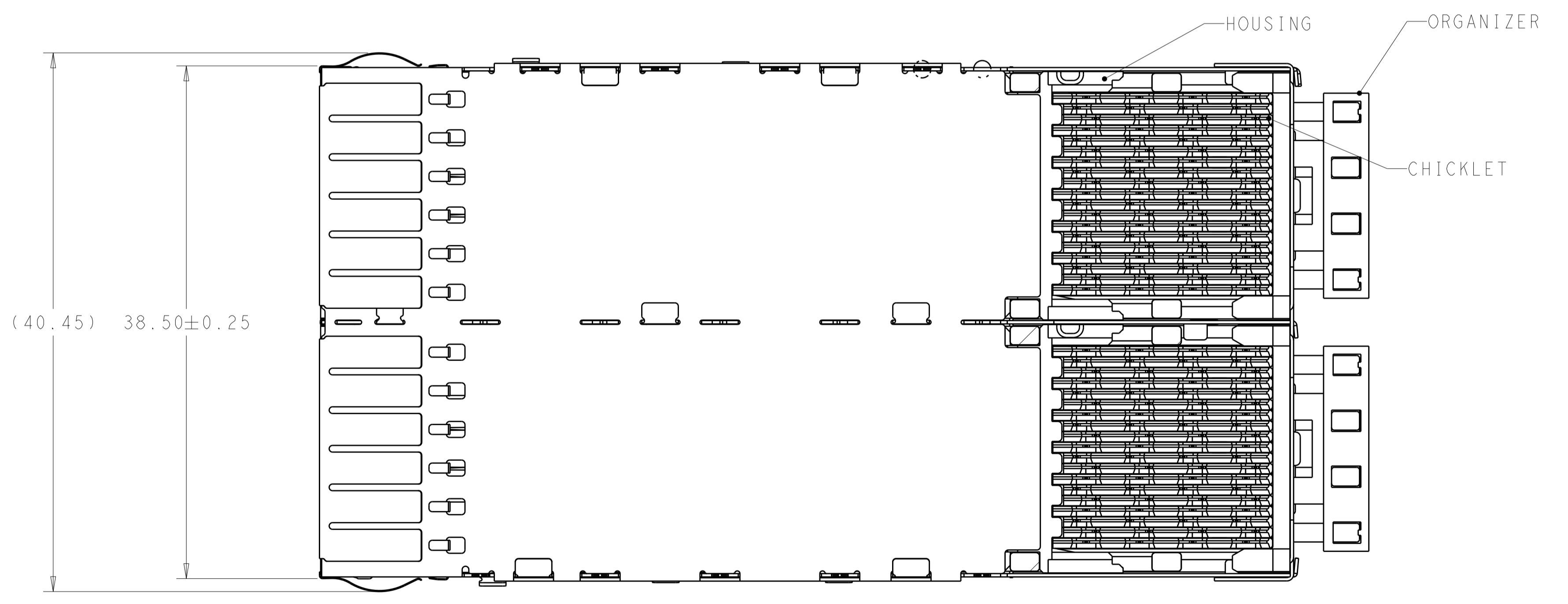
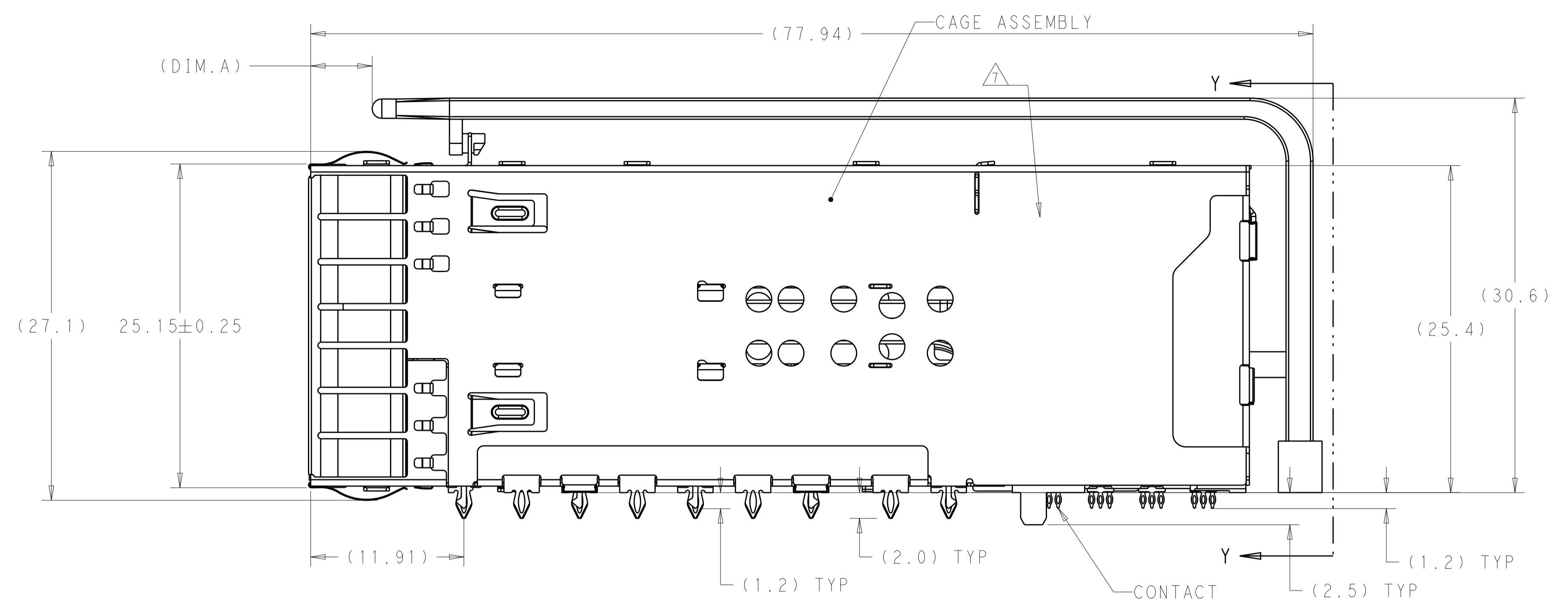
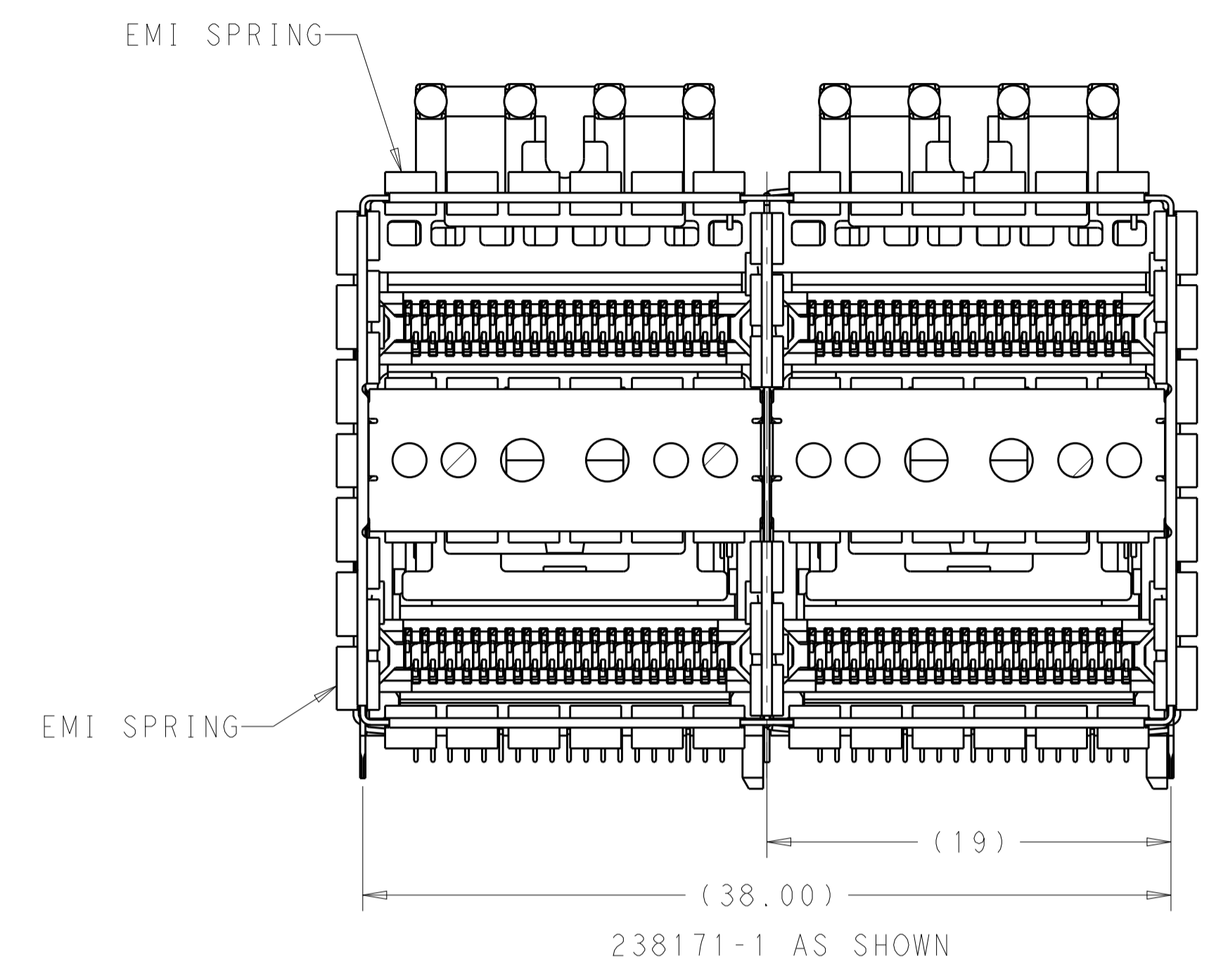


| LOC | DIST | REVISIONS | | | |
|-----|------|---------------------------|-----------|-----|------|
| P | LTN | DESCRIPTION | DATE | DMN | APVD |
| C | | REVISED PER ECO-18-020051 | 24DEC2018 | TX | SH |
| D | | REVISED PER ECR-20-014390 | 14OCT2020 | RM | SH |
| D1 | | REVISED PER ECO-21-000016 | 04JAN2021 | SH | SZ |



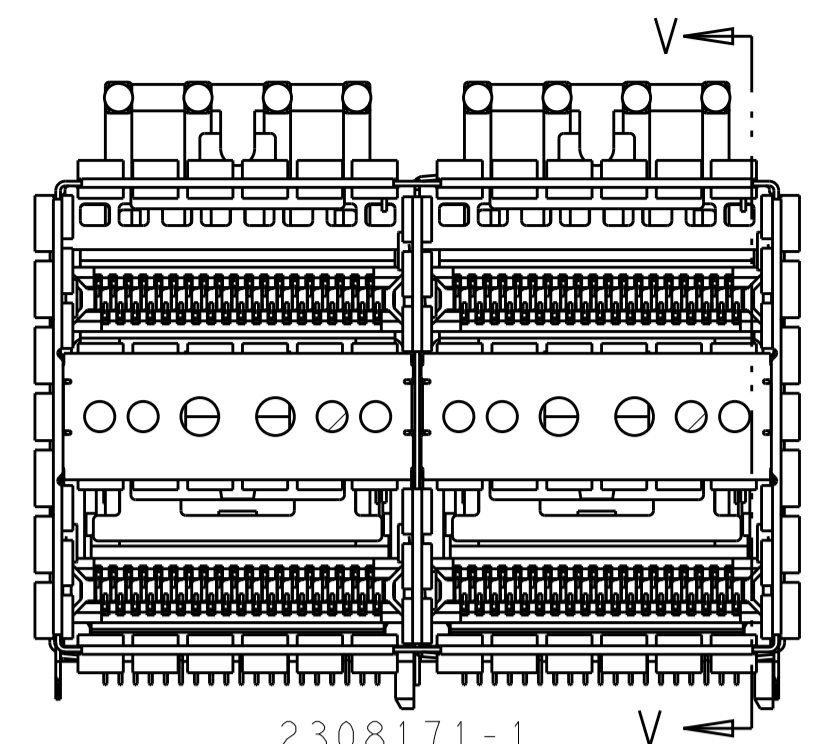
- MATERIALS:
 CAGE ASSEMBLY- NICKEL SILVER ALLOY PER ASTM B 122.
 EMI SPRING- COPPER ALLOY, NICKEL PLATED.
 HOUSING- POLYESTER LCP WITH 94V-0.
 CHICKLET- POLYESTER LCP WITH 94V-0.
 CONTACT- COPPER ALLOY.
 LIGHTPIPE- POLYCARBONATE WITH 94V-0.
- CONTACT FINISH: 0.76µm MIN GOLD ON MATING AREA, 0.7-1.5µm MATT TIN ON COMPLIANT AREA, ALL OVER 1.27µm MIN NICKEL.
- DATUM AND BASIC DIMENSION ESTABLISHED BY CUSTOMER.
- MINIMUM PCB THICKNESS OF 3.0 FOR BELLY TO BELLY APPLICATION.
- THE ENTIRE AREA OF THE CONNECTOR FOOTPRINT, INDICATED BY THE DASHED LINE, TO BE CONSIDERED THE KEEPOUT AREA FOR COMPONENTS AND TRACES.
- CROSS-HATCHED AREAS REPRESENT ZONES ON THE PCB THAT COME IN CONTACT WITH OR BE IN CLOSE PROXIMITY TO THE PLASTIC HOUSING OR THE CONNECTOR CAGE. INDICATED AREAS TO BE CONSIDERED TRACE FREE.
- PART NUMBER AND DATE CODE MADE IN APPROXIMATE AREA SHOWN.
- HATCHED AREA IS PLACEMENT ZONE FOR LED. LED SHOULD BE CENTERED WITHIN ZONE. RECOMMEND 0805 PACKAGE.

THIS DRAWING IS A CONTROLLED DOCUMENT.

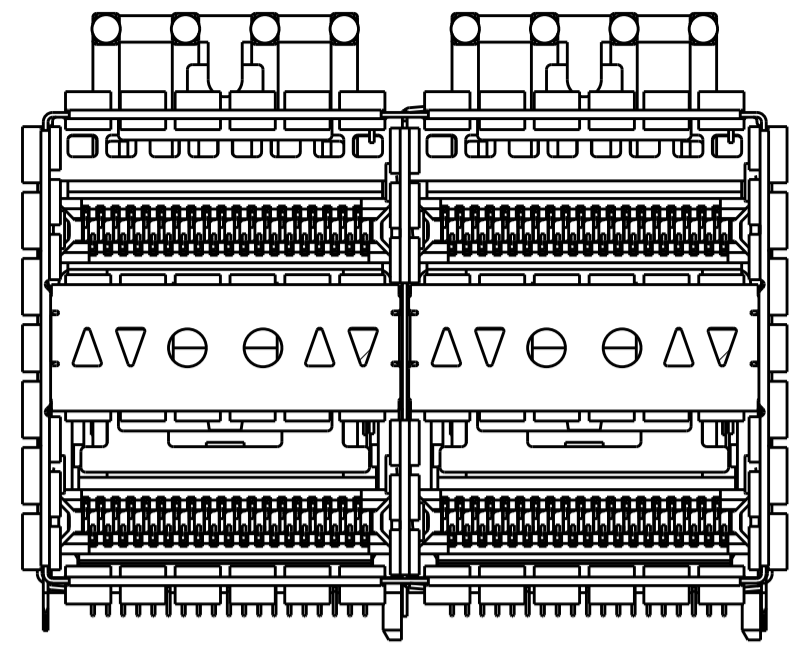
| | | | |
|----------------------|---|--|---|
| DIMENSIONS: | TOLERANCES UNLESS OTHERWISE SPECIFIED: | DMN: TIM XUE 17AUG2016 | TE Connectivity NAME: zQSFP+ 2X2 4 INTERNAL LIGHT PIPES WITH EMI SPRING FINGERS, BELLY TO BELLY APPLICATION PRODUCT SPEC: 108-60102 APPLICATION SPEC: 114-60015 WEIGHT: - RESTRICTED TO: - |
| mm | 0 PLC ± 1 PLC ±0.25 2 PLC ±0.20 3 PLC ± 4 PLC ± | CHK: SEAN HAN 17AUG2016 | |
| | ANGLES ± | APVD: SEAN HAN 17AUG2016 | |
| MATERIAL: SEE NOTE 1 | FINISH: SEE NOTE 2 | SIZE: A100779 CAGE CODE: - DRAWING NO: 2308171 | |

CUSTOMER DRAWING SCALE: 4:1 SHEET 1 OF 10 REV: D1

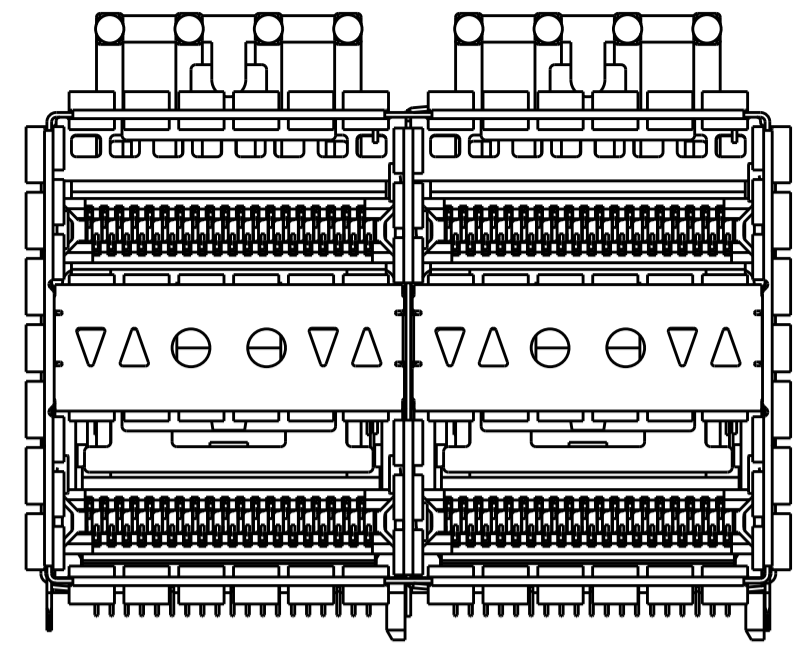
| LOC | DIST | REVISIONS | | | | | |
|-----|------|-----------|-----|-------------|------|-----|------|
| GP | 00 | P | LYR | DESCRIPTION | DATE | OWN | APVD |
| | | - | | SEE SHEET 1 | | | |



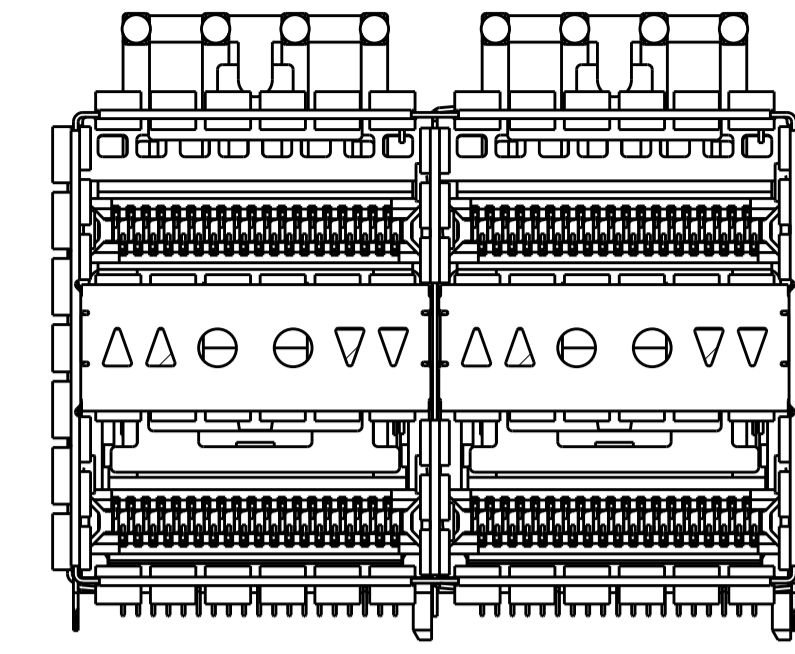
2308171-1
 2308171-7
 1-2308171-0
 3-2308171-0
 ALL ROUND INDICATOR, 4LP
 SCALE 5:2



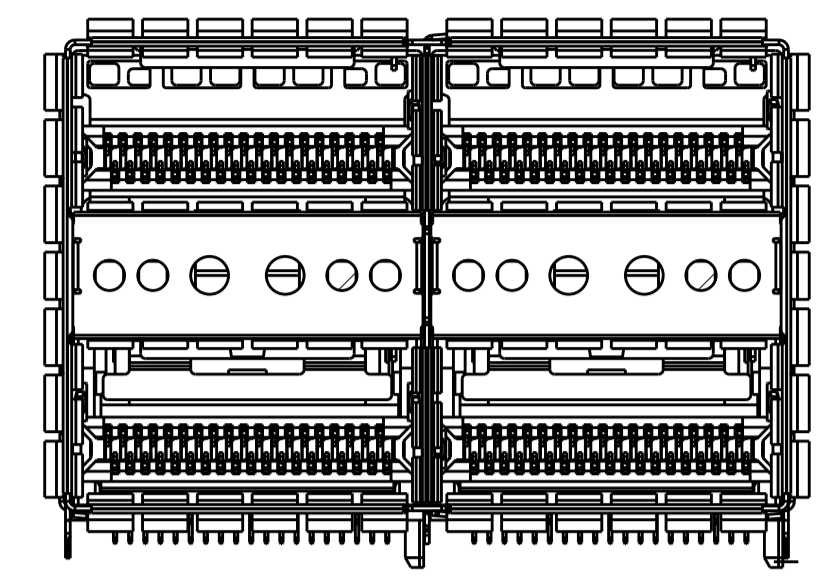
2308171-2
 LEFT INDICATOR UP
 SCALE 5:2



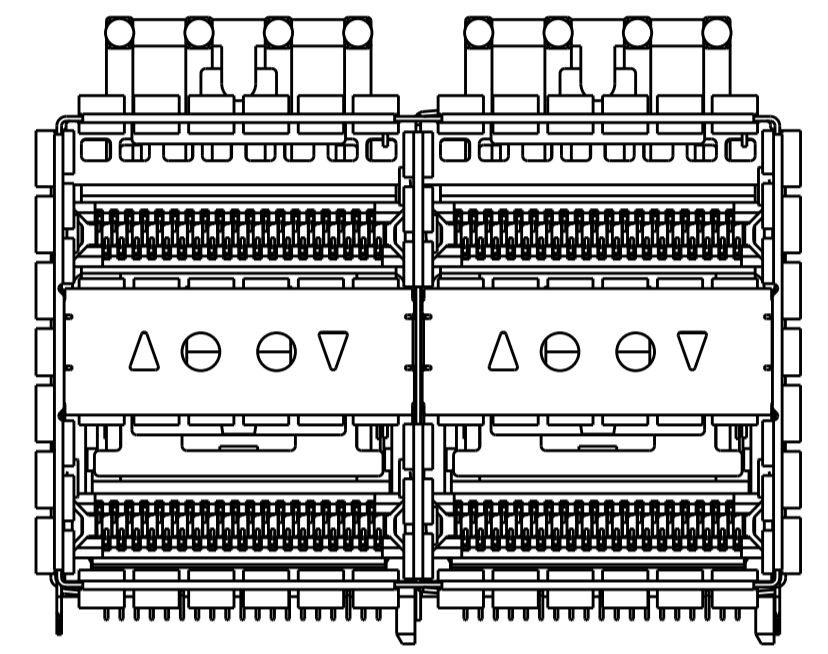
2308171-3
 LEFT INDICATOR DOWN
 SCALE 5:2



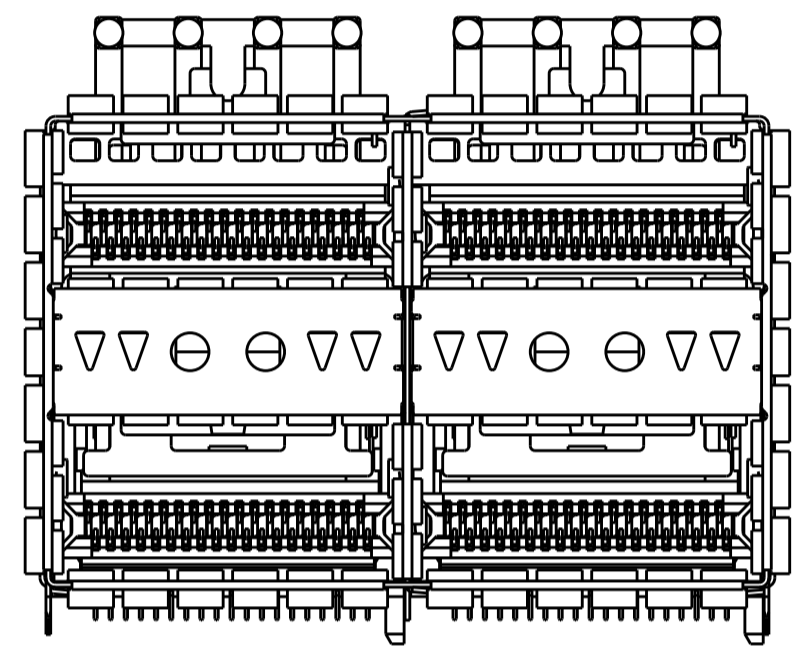
2308171-4
 LEFT INDICATOR UP
 SCALE 5:2



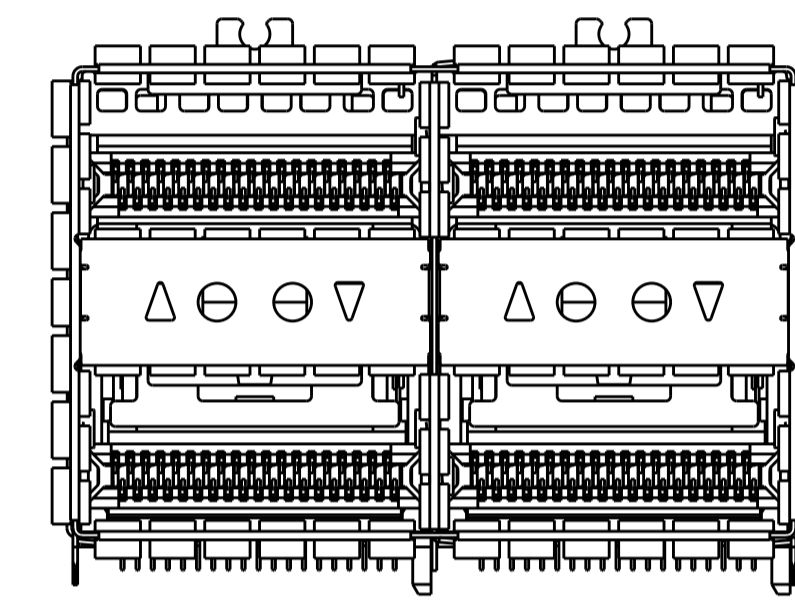
1-2308171-2
 ALL ROUND INDICATOR
 SCALE 5:2



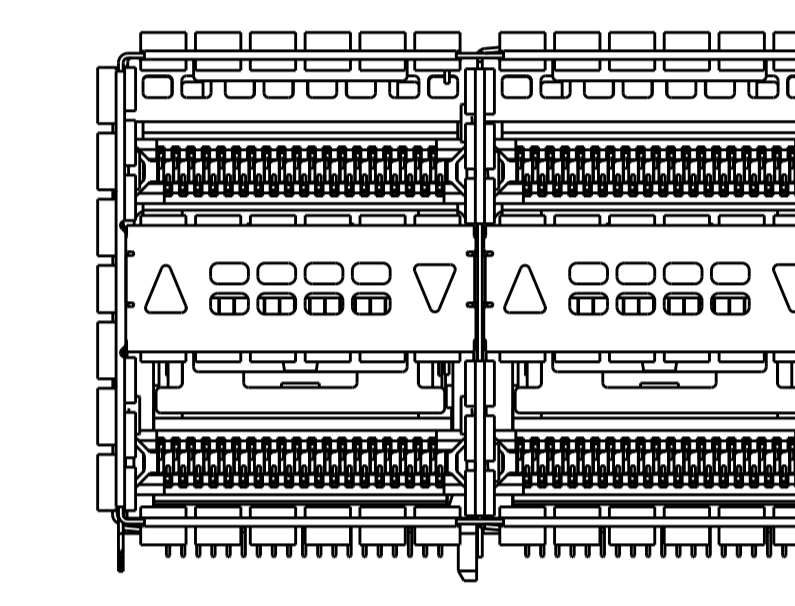
2308171-5
 LEFT INDICATORS UP(2 LIGHT PIPES)
 SCALE 5:2



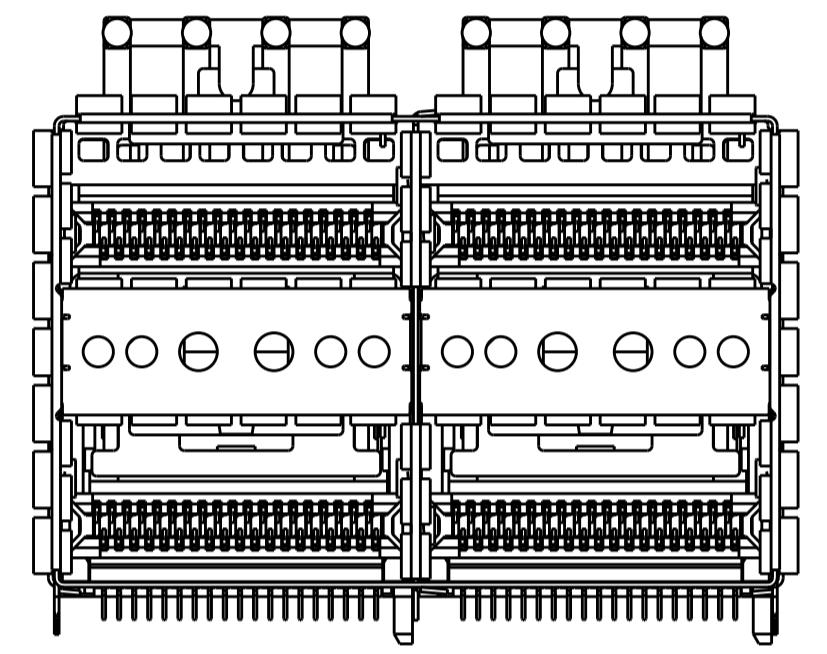
2308171-6
 ALL INDICATORS DOWN
 SCALE 5:2



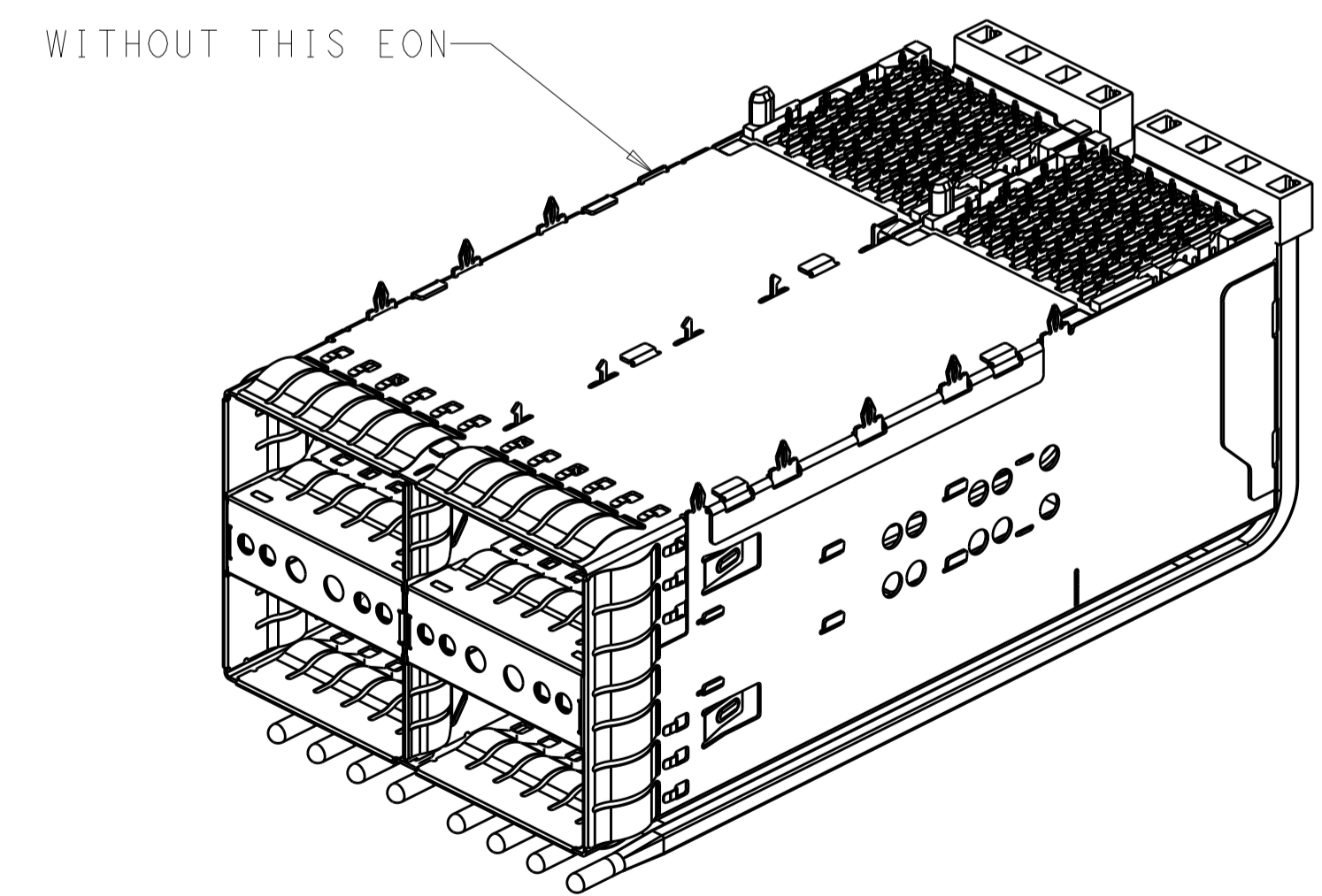
2308171-8
 W/O TOP LIGHT PIPE
 SCALE 5:2



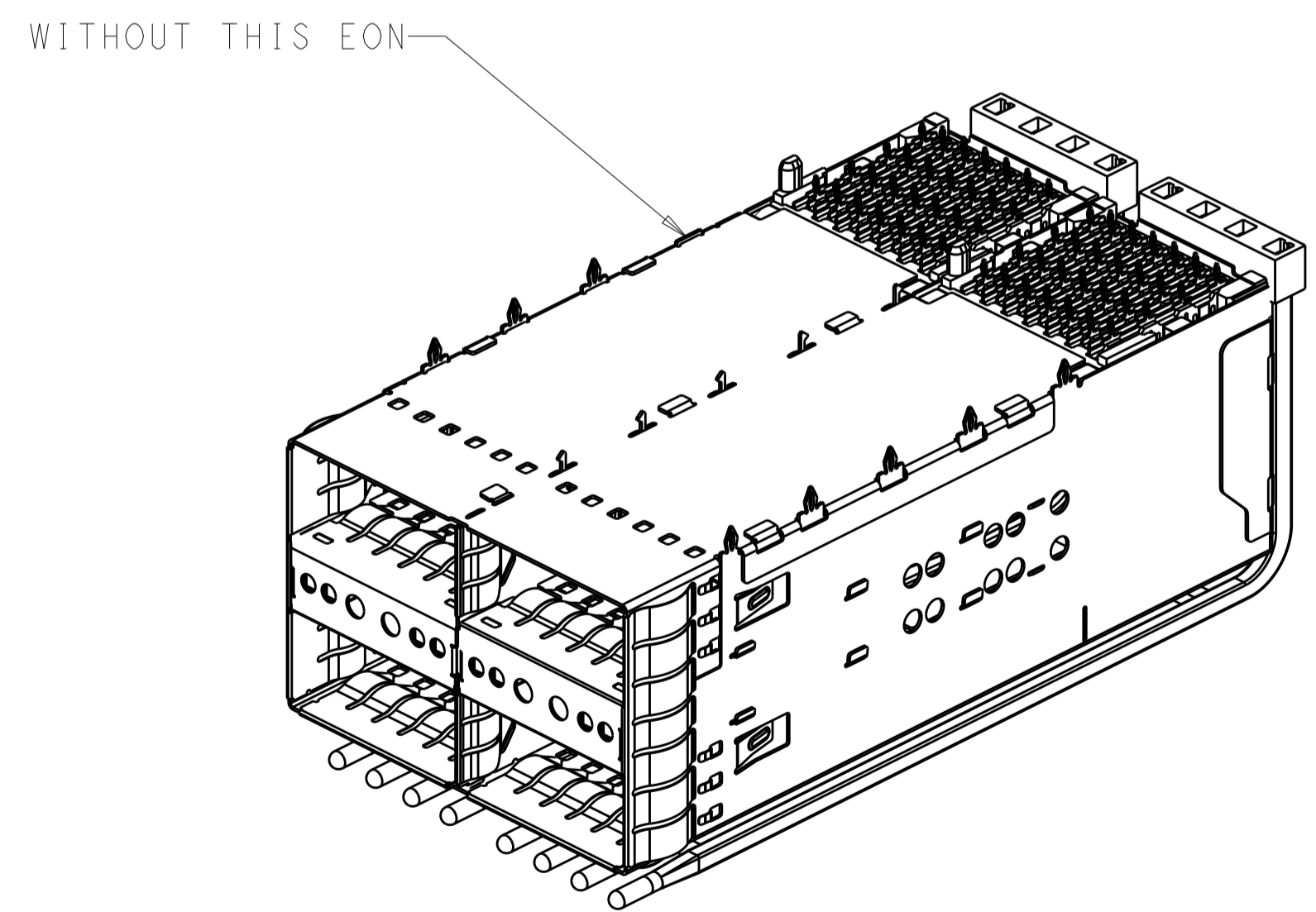
2308171-9
 W/O TOP LIGHT PIPE
 SCALE 5:2



1-2308171-1
 3-2308171-1
 ALL ROUND INDICATOR, 4LP
 WITHOUT BOTTOM EMI SPRINGS
 SCALE 5:2



1-2308171-0
 3-2308171-0
 BOTTOM VIEW
 SCALE 2:1



1-2308171-1
 3-2308171-1
 BOTTOM VIEW
 SCALE 2:1

| REMARK | DIM. A | CONTACT FINISH | DESCRIPTION | PART NUMBER |
|----------------------------|--------|----------------|--------------------------|-------------|
| W/O ORGANIZER, W/O TOP LP | N/A | 2 | LEFT INDICATOR DOWN, 4LP | 1-2308171-3 |
| W/ ORGANIZER, UNCOATED LP | 0.1 | 2 | ALL ROUND INDICATOR, 4LP | 3-2308171-1 |
| W/ ORGANIZER, UNCOATED LP | 0.1 | 2 | ALL ROUND INDICATOR, 4LP | 3-2308171-0 |
| W/ ORGANIZER, UNCOATED LP | N/A | 2 | NO INTRENAL LP | 2-2308171-1 |
| W/ ORGANIZER, UNCOATED LP | N/A | 2 | NO INTRENAL LP | 2-2308171-0 |
| W/O ORGANIZER, W/O TOP LP | N/A | 2 | ALL ROUND INDICATOR | 1-2308171-2 |
| W/ ORGANIZER, UNCOATED LP | 1.6 | 2 | ALL ROUND INDICATOR, 4LP | 1-2308171-1 |
| W/ ORGANIZER, UNCOATED LP | 1.6 | 2 | ALL ROUND INDICATOR, 4LP | 1-2308171-0 |
| W/O ORGANIZER, W/O TOP LP | N/A | 2 | LEFT INDICATOR UP, 2LP | 2308171-9 |
| W/O ORGANIZER, W/O TOP LP | N/A | 2 | LEFT INDICATOR UP, 2LP | 2308171-8 |
| W/O ORGANIZER, UNCOATED LP | 1.6 | 2 | ALL ROUND INDICATOR, 4LP | 2308171-7 |
| W/ ORGANIZER, UNCOATED LP | 1.6 | 2 | ALL INDICATOR DOWN, 4LP | 2308171-6 |
| W/O ORGANIZER, UNCOATED LP | 4.8 | 2 | LEFT INDICATOR UP, 2LP | 2308171-5 |
| W/O ORGANIZER, UNCOATED LP | 4.8 | 2 | LEFT INDICATOR UP, 4LP | 2308171-4 |
| W/O ORGANIZER, UNCOATED LP | 4.8 | 2 | LEFT INDICATOR DOWN, 4LP | 2308171-3 |
| W/O ORGANIZER, UNCOATED LP | 4.8 | 2 | LEFT INDICATOR UP, 4LP | 2308171-2 |
| W/ ORGANIZER, UNCOATED LP | 4.8 | 2 | ALL ROUND INDICATOR, 4LP | 2308171-1 |

THIS DRAWING IS A CONTROLLED DOCUMENT.

OWN: TIM XUE 17AUG2016
 CHG: SEAN HAN 17AUG2016
 APVD: SEAN HAN 17AUG2016

STC TE Connectivity

NAME: zOSFP+ 2X2 4 INTERNAL LIGHT PIPES WITH EMI SPRING FINGERS, BELLY TO BELLY APPLICATION

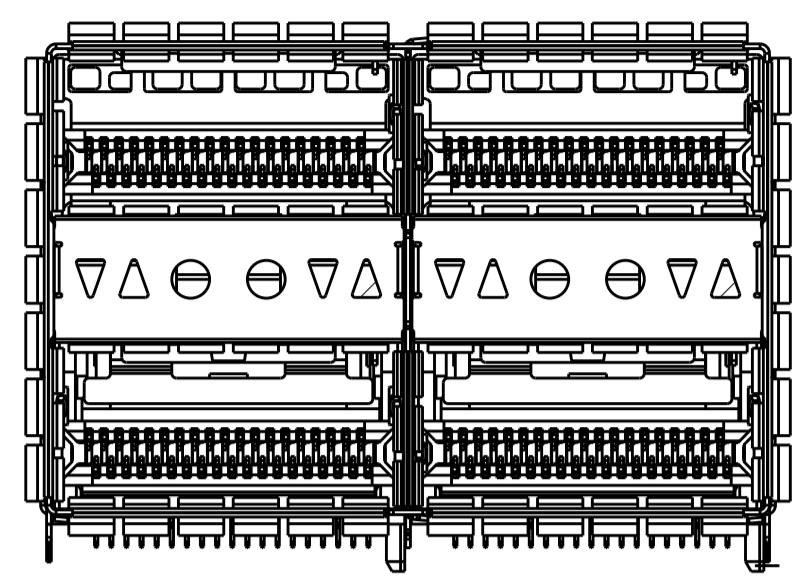
PRODUCT SPEC: 108-60102
 APPLICATION SPEC: 114-60015

SIZE: A100779 C=2308171
 SCALE: 4:1 SHEET 2 OF 10 REV D1


SEE NOTE 1 SEE NOTE 2

THIS DRAWING IS UNPUBLISHED. RELEASED FOR PUBLICATION 20
 © COPYRIGHT 20 BY TYCO ELECTRONICS CORPORATION ALL RIGHTS RESERVED.

| LOC | DIST | REVISIONS | | | | | |
|-----|------|-----------|-----|-------------|------|-----|------|
| GP | 00 | P | LTN | DESCRIPTION | DATE | DWN | APVD |
| - | - | - | - | SEE SHEET 1 | - | - | - |
| | | | | | | | |
| | | | | | | | |

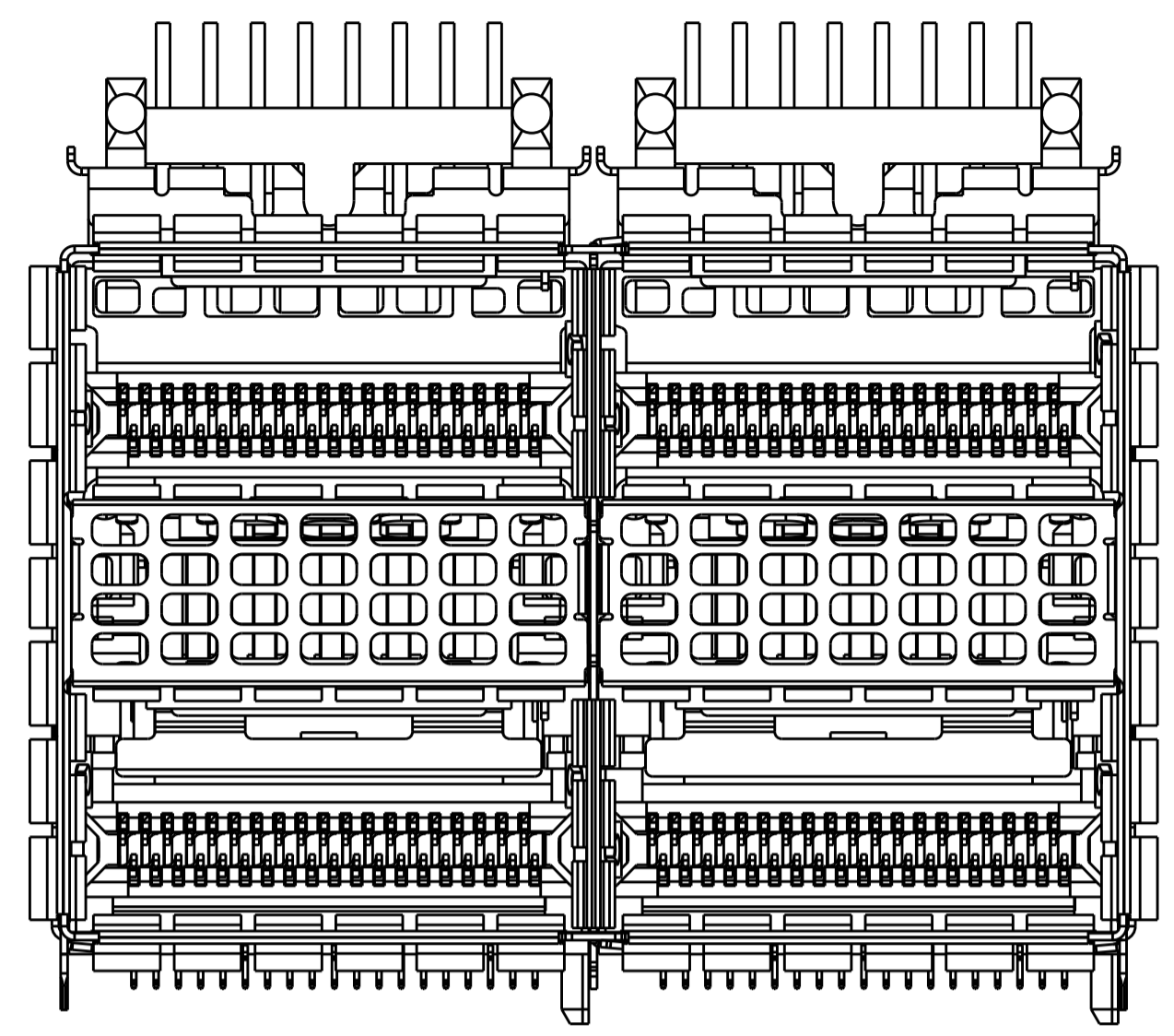


1-2308171-3
 LEFT INDICATOR DOWN
 SCALE 5:2

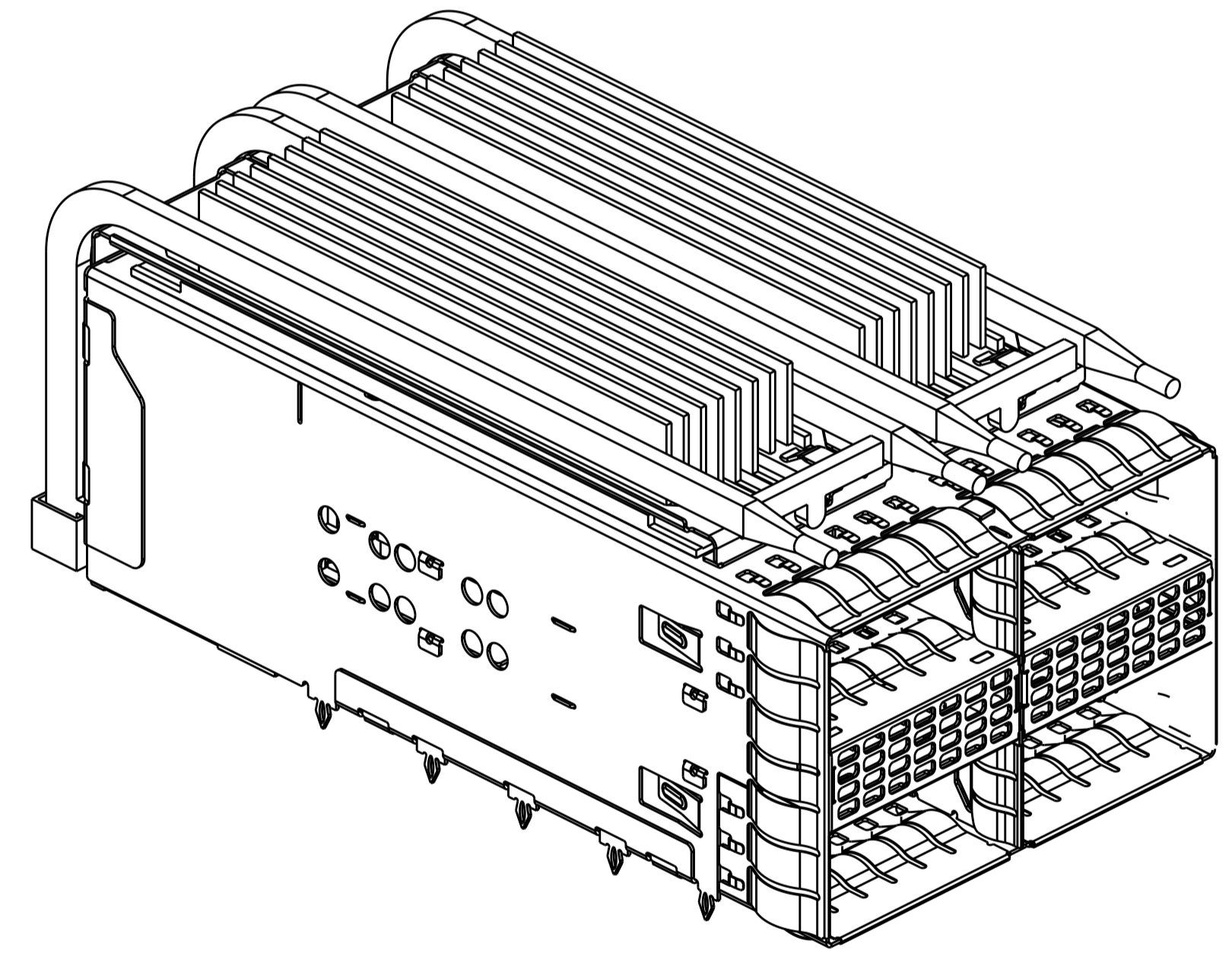
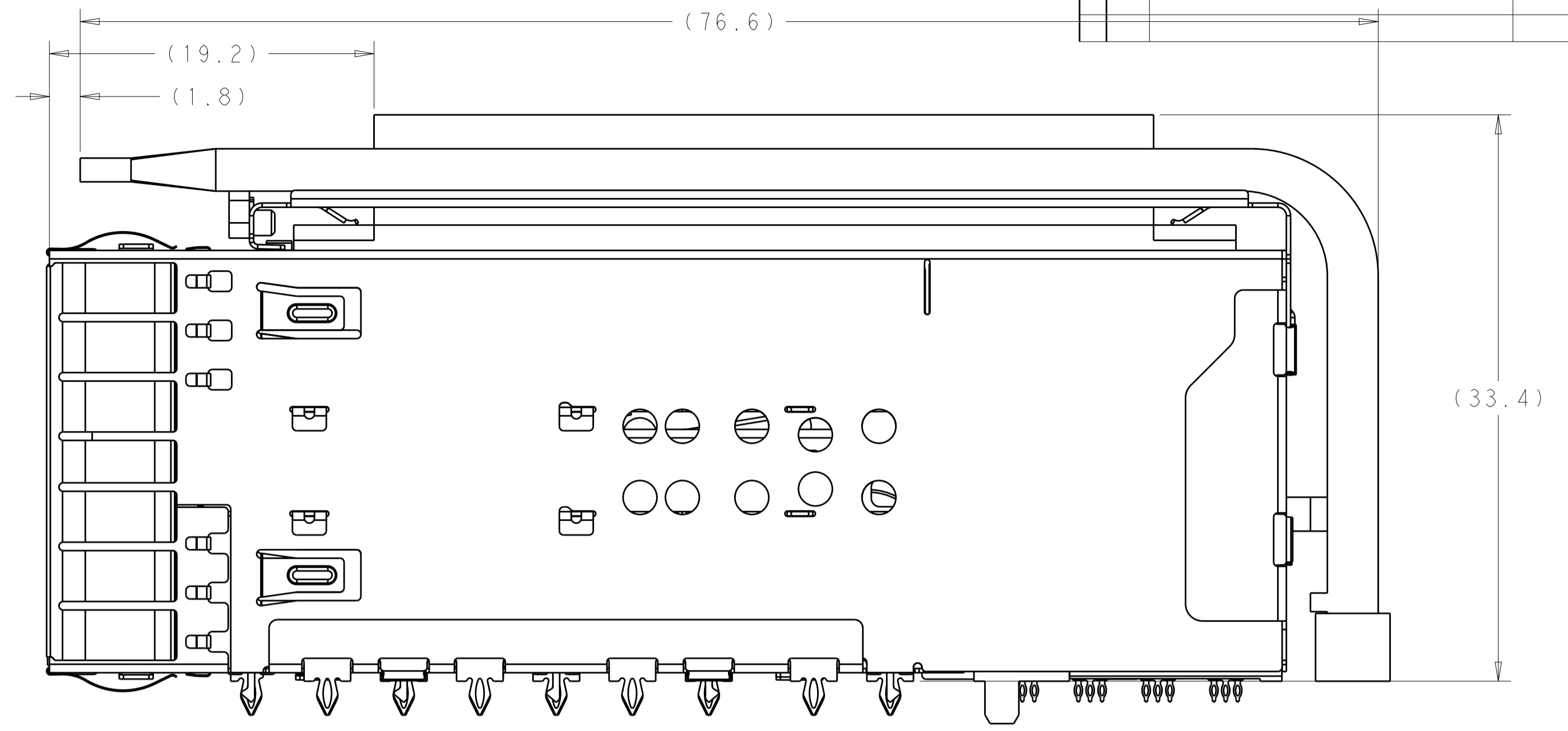
| | | | | | |
|--|-------------|------------------|----------|------------|---|
| THIS DRAWING IS A CONTROLLED DOCUMENT. | | DWN | TIM XUE | 17AUG2016 |  TE Connectivity |
| DIMENSIONS: | | CHK | SEAN HAN | 17AUG2016 | |
| TOLERANCES UNLESS OTHERWISE SPECIFIED: | | APVD | SEAN HAN | 17AUG2016 | |
| mm | 0 PLC ± | PRODUCT SPEC | | NAME | zOSFP+ 2X2.4 INTERNAL LIGHT PIPES WITH EMI SPRING FINGERS, BELLY TO BELLY APPLICATION |
| | 1 PLC ±0.25 | 108-60102 | | SIZE | |
| | 2 PLC ±0.20 | APPLICATION SPEC | | CAGE CODE | 114-60015 |
| | 3 PLC ± | RESTRICTED TO | | WEIGHT | - |
| | 4 PLC ± | MATERIAL | | SEE NOTE 1 | SEE NOTE 2 |
| | ANGLES ± | CUSTOMER DRAWING | | SCALE | 4:1 |
| | FINISH | SHEET | | 3 | OF 10 |
| | | REV | | 1 | |

| LOC | DIST | REVISIONS | | | |
|-----|------|-------------|------|-----|------|
| P | LTN | DESCRIPTION | DATE | DWN | APVD |
| GP | 00 | SEE SHEET 1 | | | |

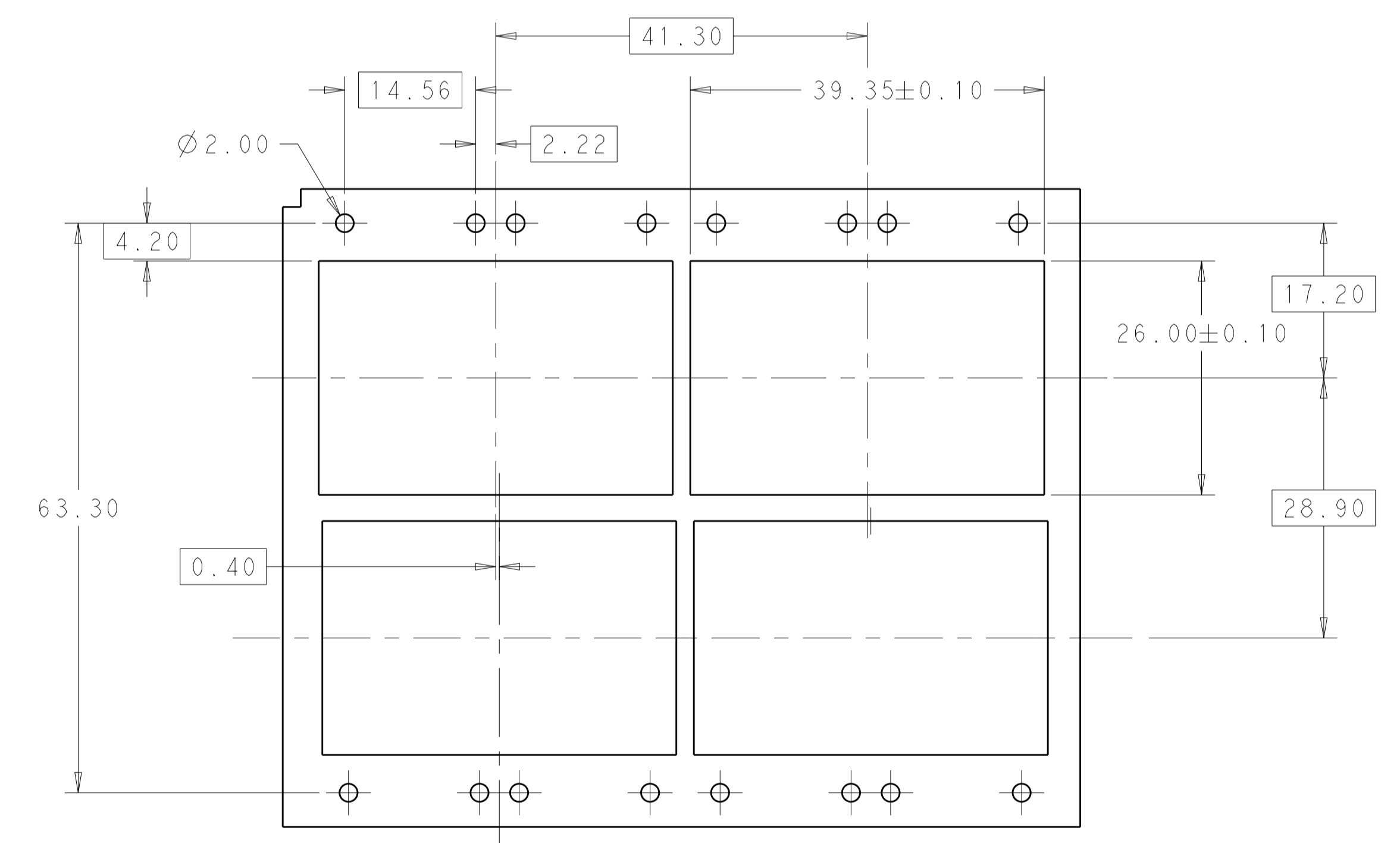
2-2308171-0 AS SHOWN



2-2308171-0
SCALE 4:1



SCALE 5:2



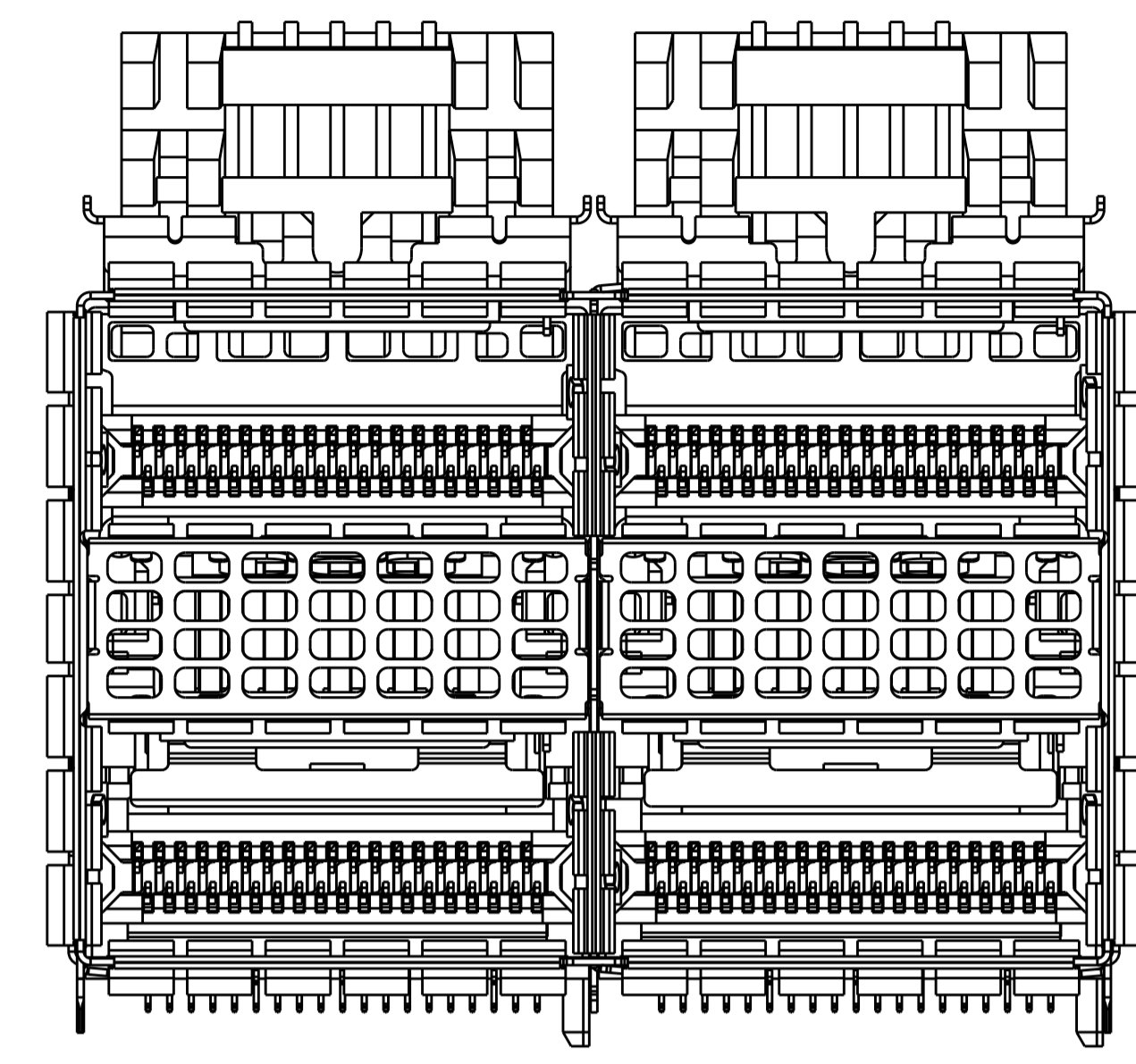
2-2308171-0 PANEL
SCALE 2:1

| | | | |
|--|----------------------|-------------------------------|---|
| THIS DRAWING IS A CONTROLLED DOCUMENT. | | DWN TIM XUE 17AUG2016 | TE Connectivity |
| DIMENSIONS: mm | | CHK SEAN HAN 17AUG2016 | |
| TOLERANCES UNLESS OTHERWISE SPECIFIED: | | APVD SEAN HAN 17AUG2016 | NAME zOSFP+ 2X2.4 INTERNAL LIGHT PIPES WITH EMI SPRING FINGERS, BELLY TO BELLY APPLICATION |
| 0 PLC ± | 1 PLC ±0.25 | PRODUCT SPEC | SIZE 108-60102 |
| 2 PLC ±0.20 | 3 PLC ± | APPLICATION SPEC | CAGE CODE 114-60015 |
| 4 PLC ± | ANGLES ± | WEIGHT | RESTRICTED TO A100779C=2308171 |
| MATERIAL SEE NOTE 1 | FINISH SEE NOTE 2 | CUSTOMER DRAWING | SCALE 4:1 SHEET 4 OF 10 REV D1 |

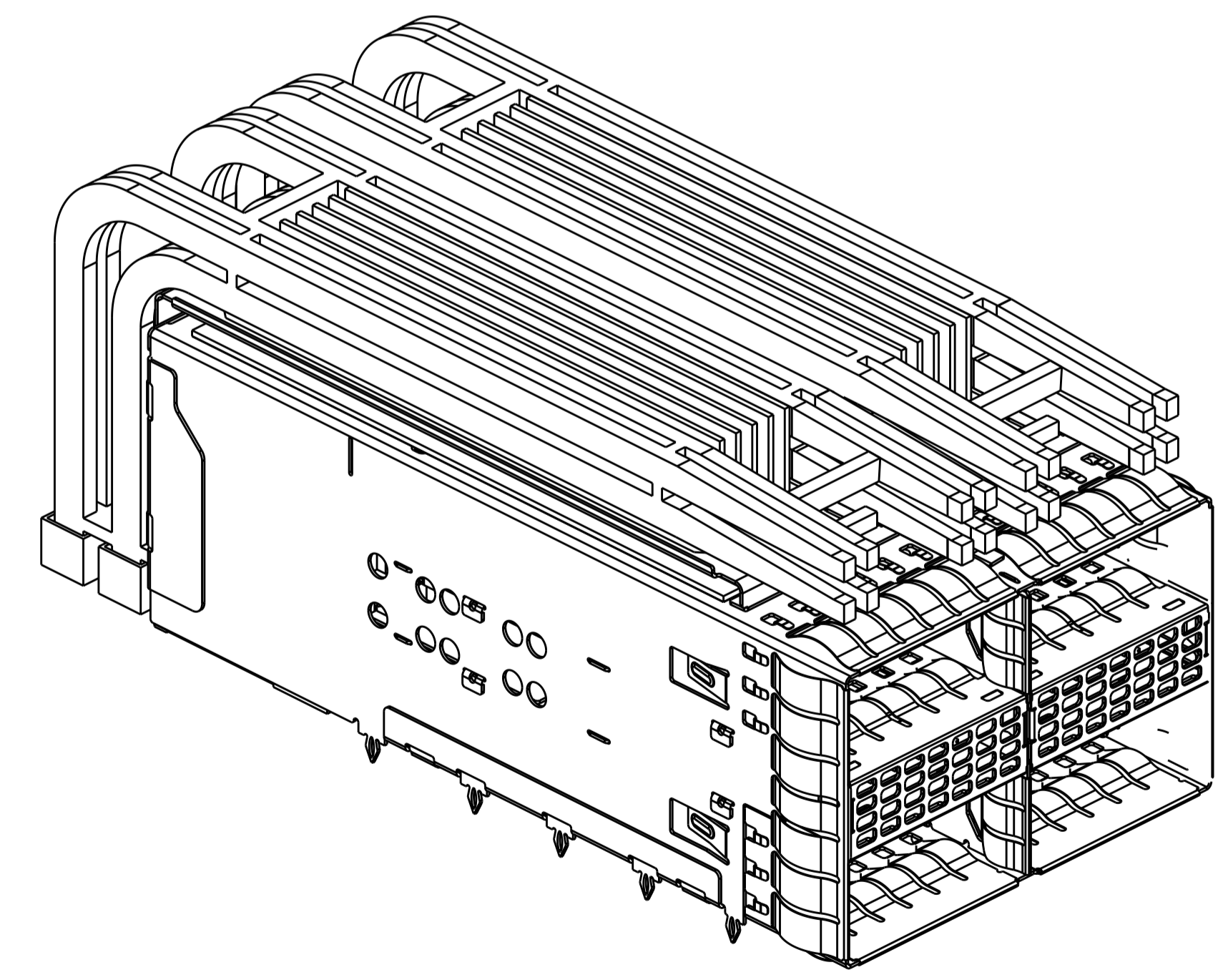
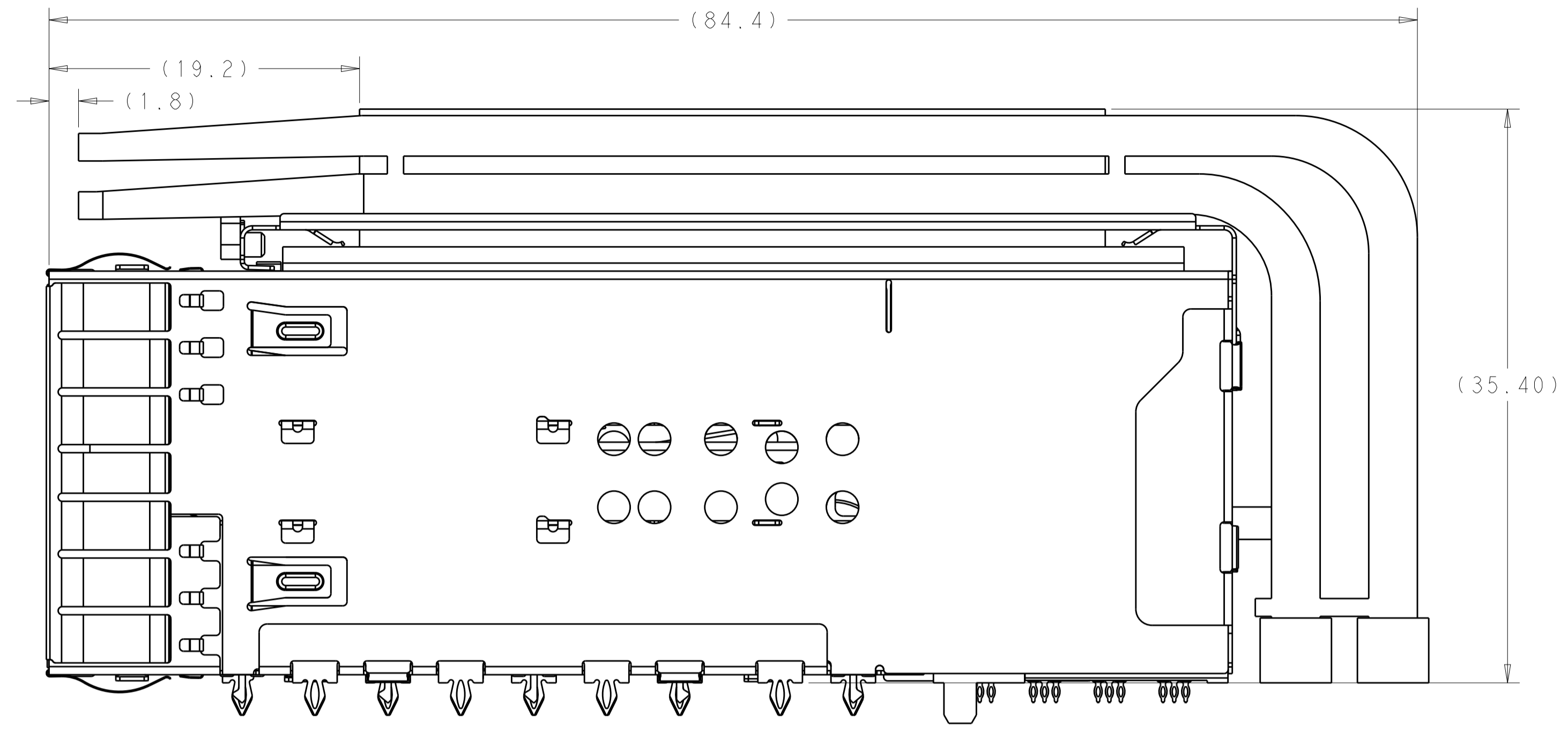
| LOC | DIST | REV | DATE | BY | APPV |
|-----|------|-----|------|----|------|
| GP | 00 | | | | |

| REVISIONS | | | |
|-----------|-------------|------|----|
| NO. | DESCRIPTION | DATE | BY |
| - | SEE SHEET 1 | - | - |

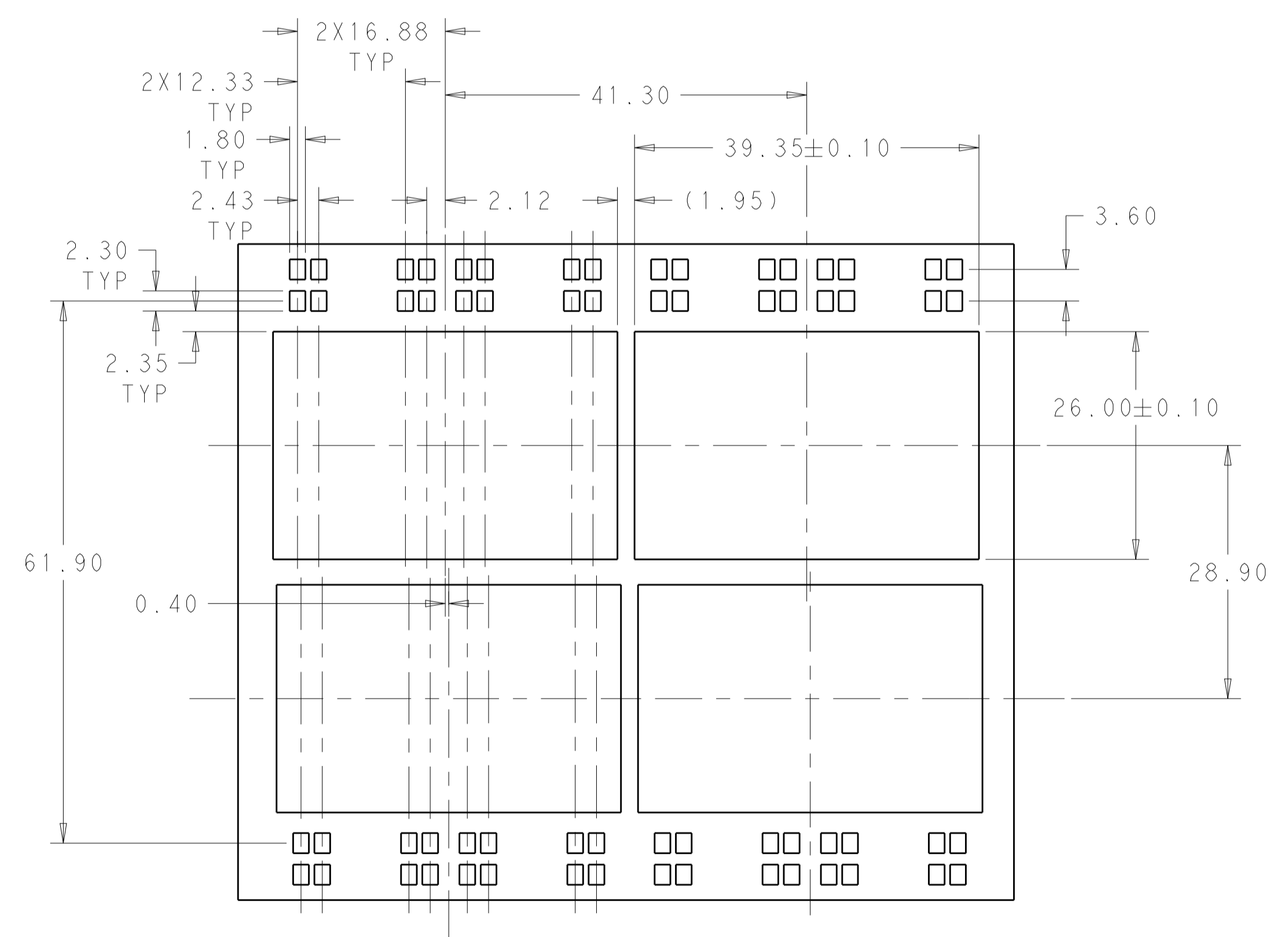
2-2308171-1 AS SHOWN



2-2308171-1
SCALE 4:1



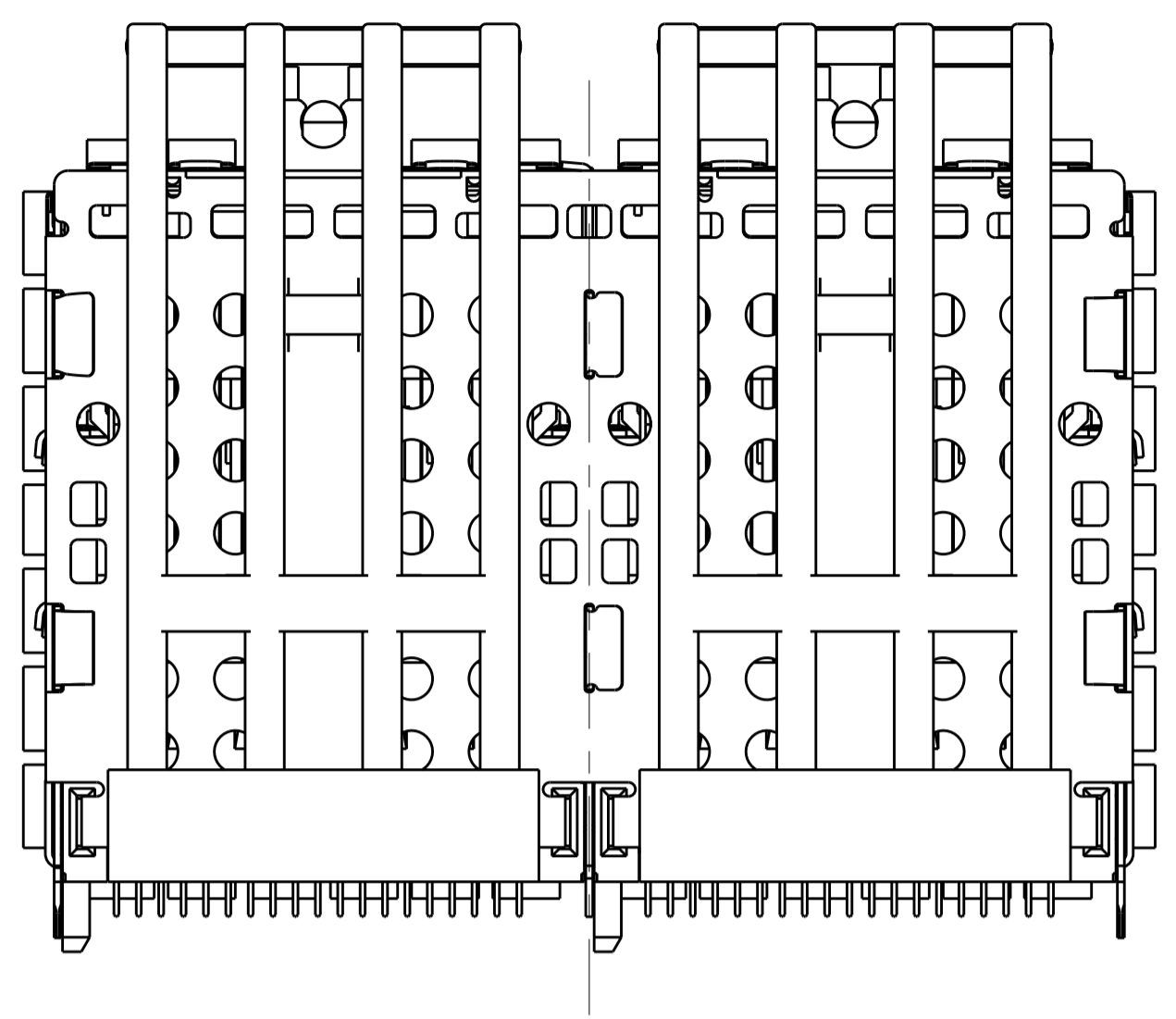
SCALE 5:2



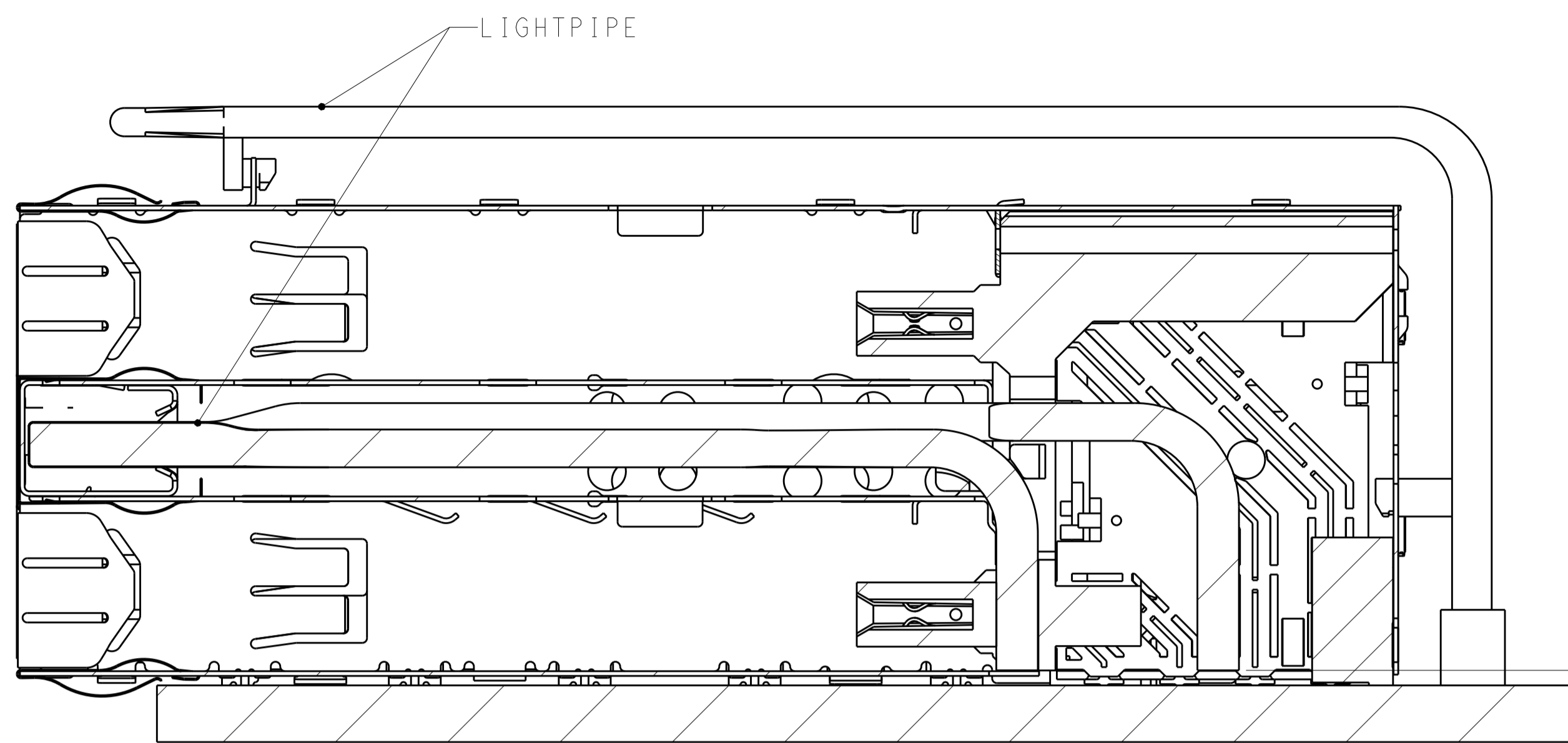
2-2308171-1 PANEL
SCALE 2:1

| | | | |
|---|--------------------|---|---------------------|
| THIS DRAWING IS A CONTROLLED DOCUMENT. | | OWN: TIM XUE 17AUG2016 | TE Connectivity |
| DIMENSIONS: mm | | CHK: SEAN HAN 17AUG2016 | |
| TOLERANCES UNLESS OTHERWISE SPECIFIED: | | APPV: SEAN HAN 17AUG2016 | |
| 0 PLC ± 1 PLC ±0.25 2 PLC ±0.20 3 PLC ± 4 PLC ± ANGLES ± FINISH ± | | NAME: zOSFP+ 2X2.4 INTERNAL LIGHT PIPES WITH EMI SPRING FINGERS, BELLY TO BELLY APPLICATION | |
| MATERIAL: SEE NOTE 1 | FINISH: SEE NOTE 2 | PRODUCT SPEC: 108-60102 | RESTRICTED TO: - |
| CUSTOMER DRAWING | | APPLICATION SPEC: 114-60015 | SIZE: A1 |
| | | WEIGHT: - | CAGE CODE: 100779 |
| | | SCALE: 4:1 | DRAWING NO: 2308171 |
| | | SHEET: 5 OF 10 | REV: D1 |

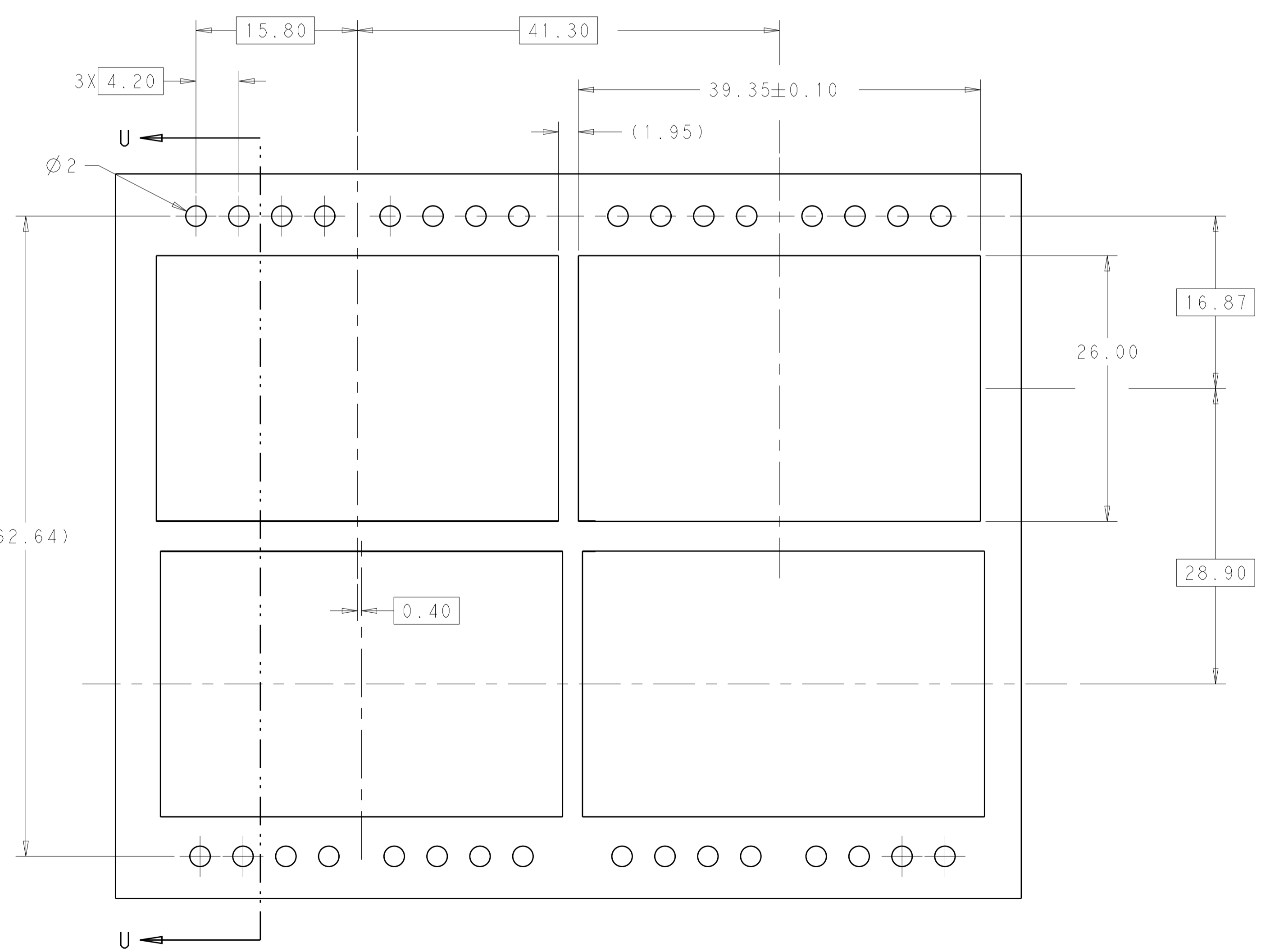
| LOC | DIST | REVISIONS | | | | | |
|-----|------|-----------|-----|-------------|------|-----|------|
| GP | 00 | P | LTN | DESCRIPTION | DATE | DWN | APVD |
| | | - | | SEE SHEET 1 | - | - | - |



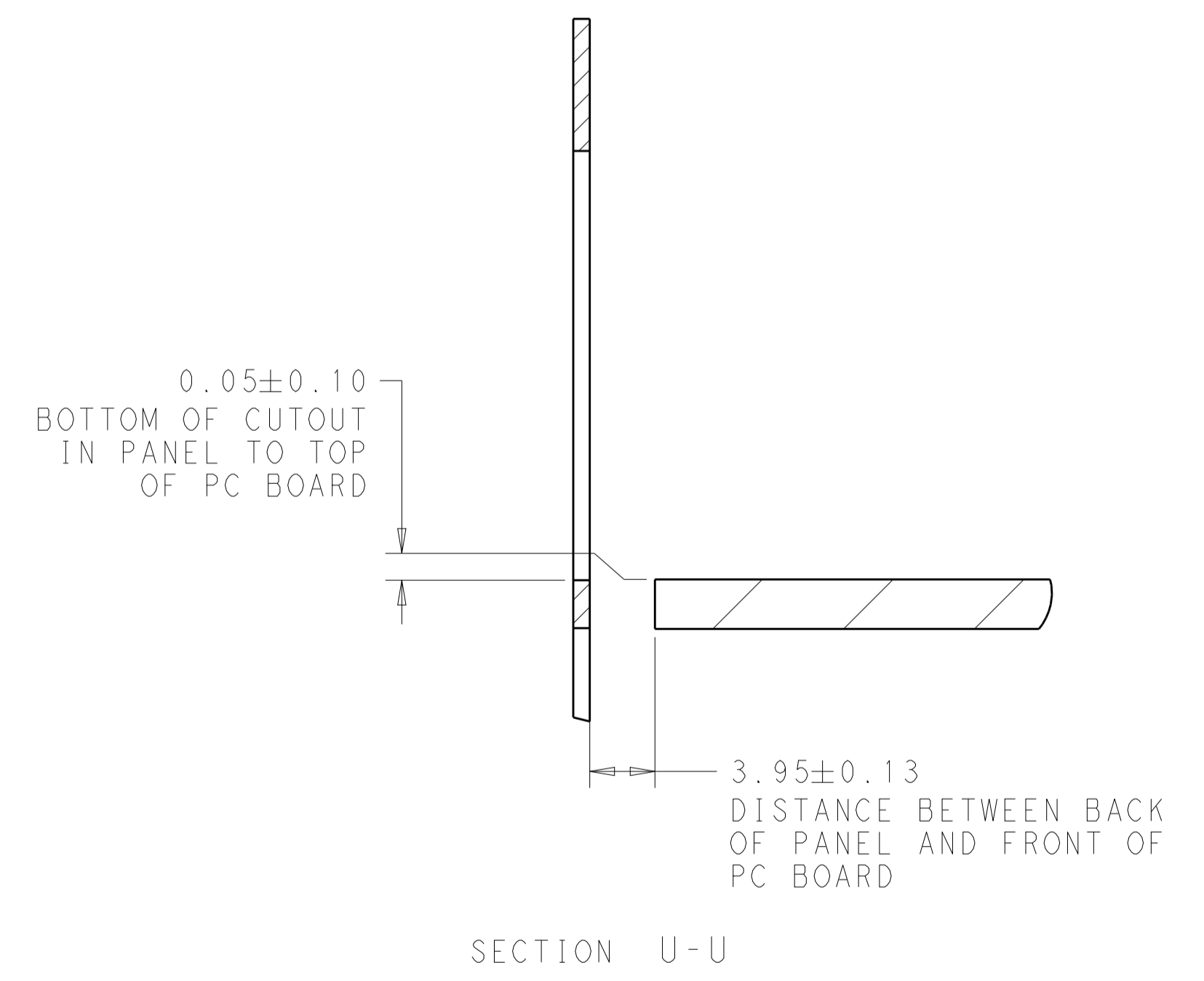
VIEW Y-Y



SECTION V-V
SCALE 4:1



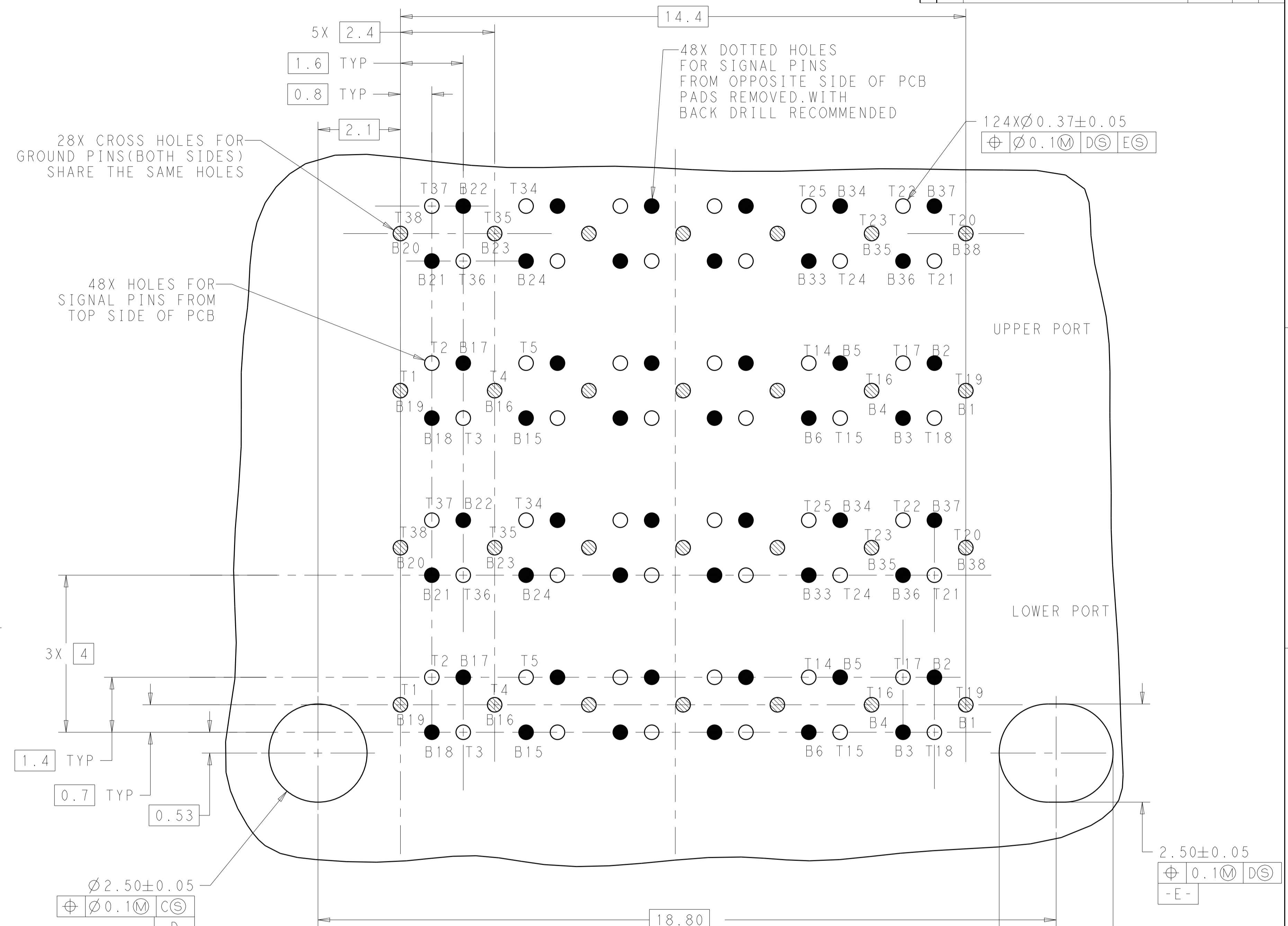
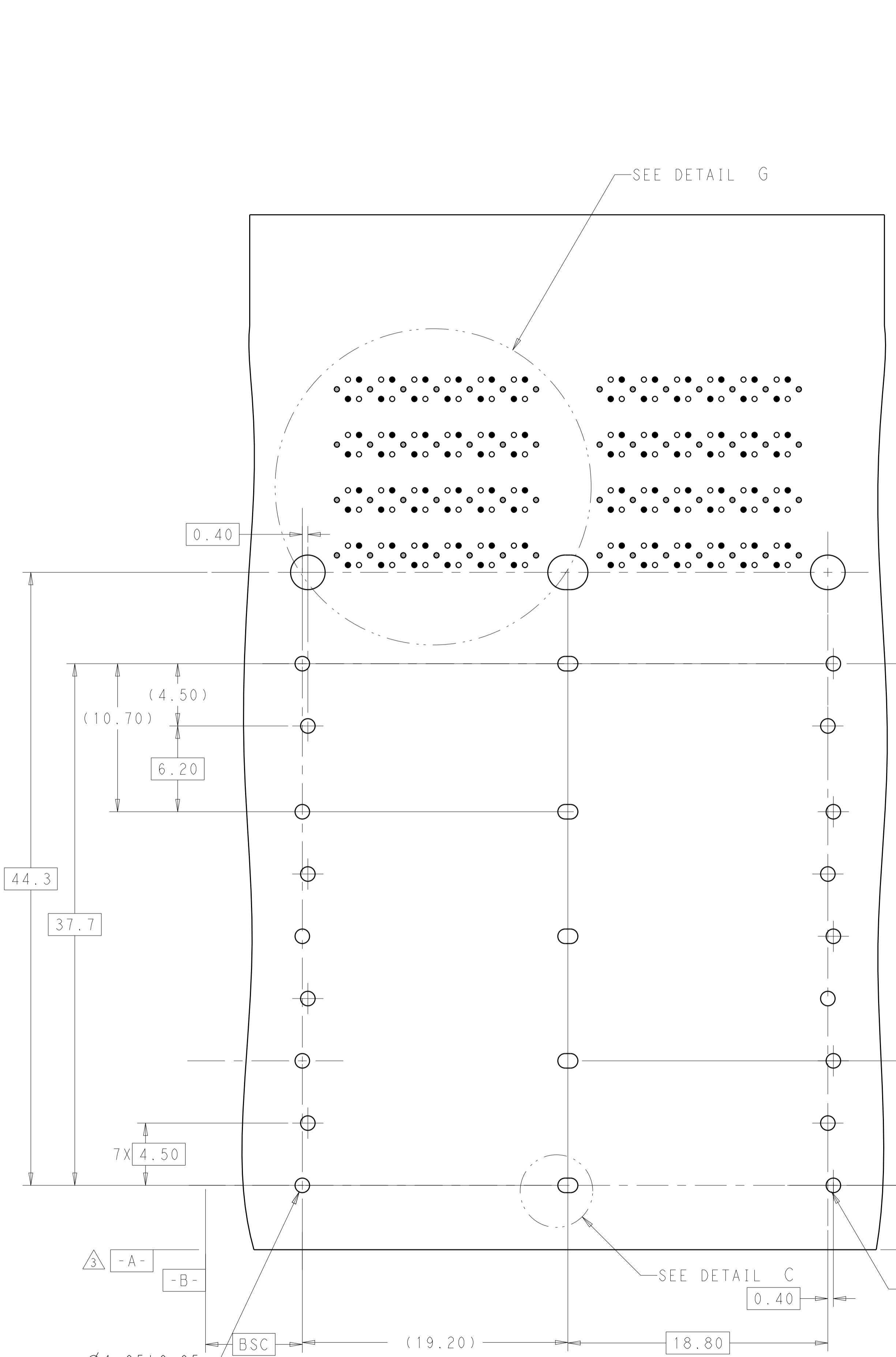
RECOMMENDED PANEL CUTOUT
AND PC BOARD, PANEL POSITION
SCALE 3:1



SECTION U-U

| | | | | | |
|---|--|--|----------|------------|--|
| THIS DRAWING IS A CONTROLLED DOCUMENT. | | DWN | TIM XUE | 17AUG2016 | TE Connectivity NAME zOSFP+ 2X2.4 INTERNAL LIGHT PIPES WITH EMI SPRING FINGERS, BELLY TO BELLY APPLICATION PRODUCT SPEC 108-60102 APPLICATION SPEC 114-60015 SIZE CAGE CODE DRAWING NO. RESTRICTED TO A100779C=2308171 |
| DIMENSIONS: | | CHK | SEAN HAN | 17AUG2016 | |
| mm | | APVD | SEAN HAN | 17AUG2016 | |
| 0 PLC ± 1 PLC ±0.25 2 PLC ±0.20 3 PLC ± 4 PLC ± ANGLES ± FINISH ± | | TOLERANCES UNLESS OTHERWISE SPECIFIED: | | WEIGHT | |
| MATERIAL | | SEE NOTE 1 | | SEE NOTE 2 | CUSTOMER DRAWING |

| LOC | | DIST | | REVISIONS | | | |
|-----|----|------|-----|-------------|------|-----|------|
| GP | 00 | P | LTN | DESCRIPTION | DATE | OWN | APVD |
| | | | | SEE SHEET 1 | | | |



SEE DETAIL G

SEE DETAIL C

RECOMMENDED PC BOARD LAYOUT
 COMPONENT SIDE OF BOARD
 (PCB TOLERANCE ±0.05)
 SCALE 5:1

28X CROSS HOLES FOR GROUND PINS (BOTH SIDES) SHARE THE SAME HOLES

48X HOLES FOR SIGNAL PINS FROM TOP SIDE OF PCB

48X DOTTED HOLES FOR SIGNAL PINS FROM OPPOSITE SIDE OF PCB PADS REMOVED WITH BACK DRILL RECOMMENDED

UPPER PORT

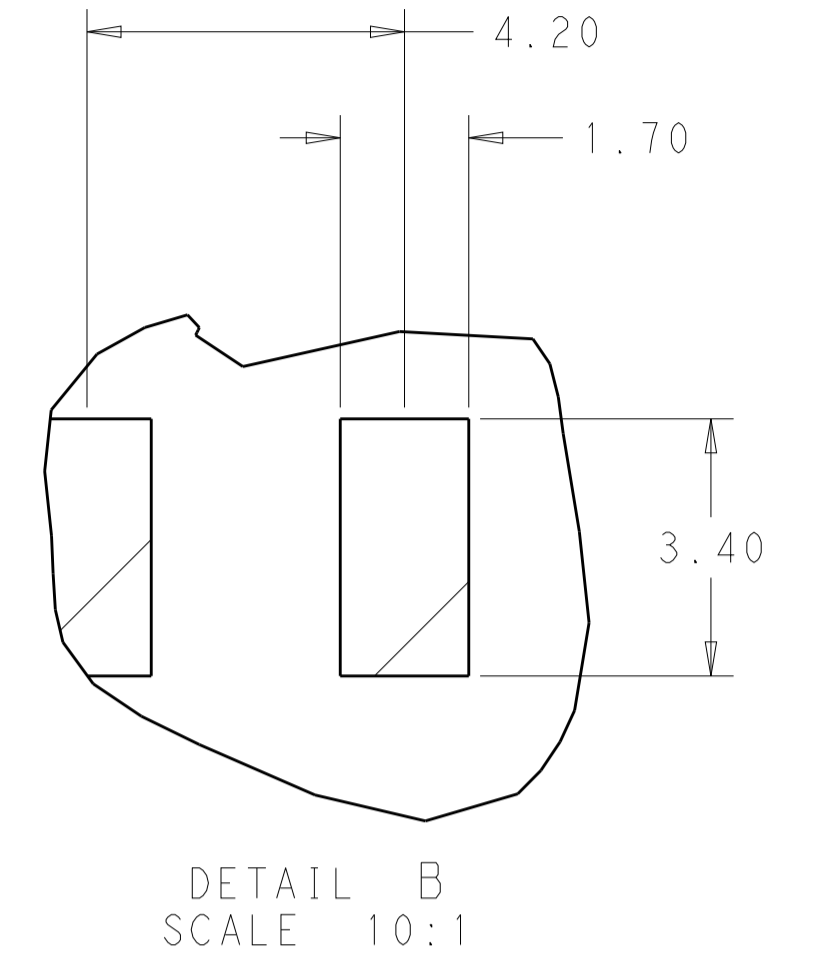
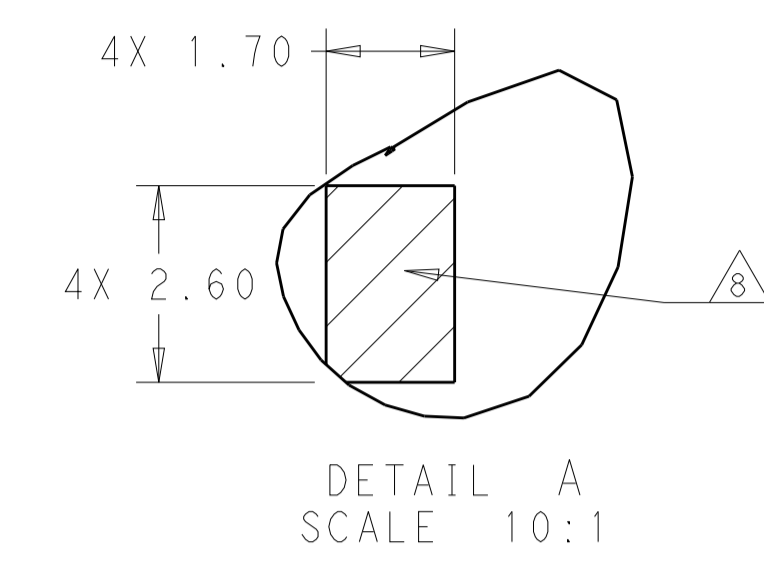
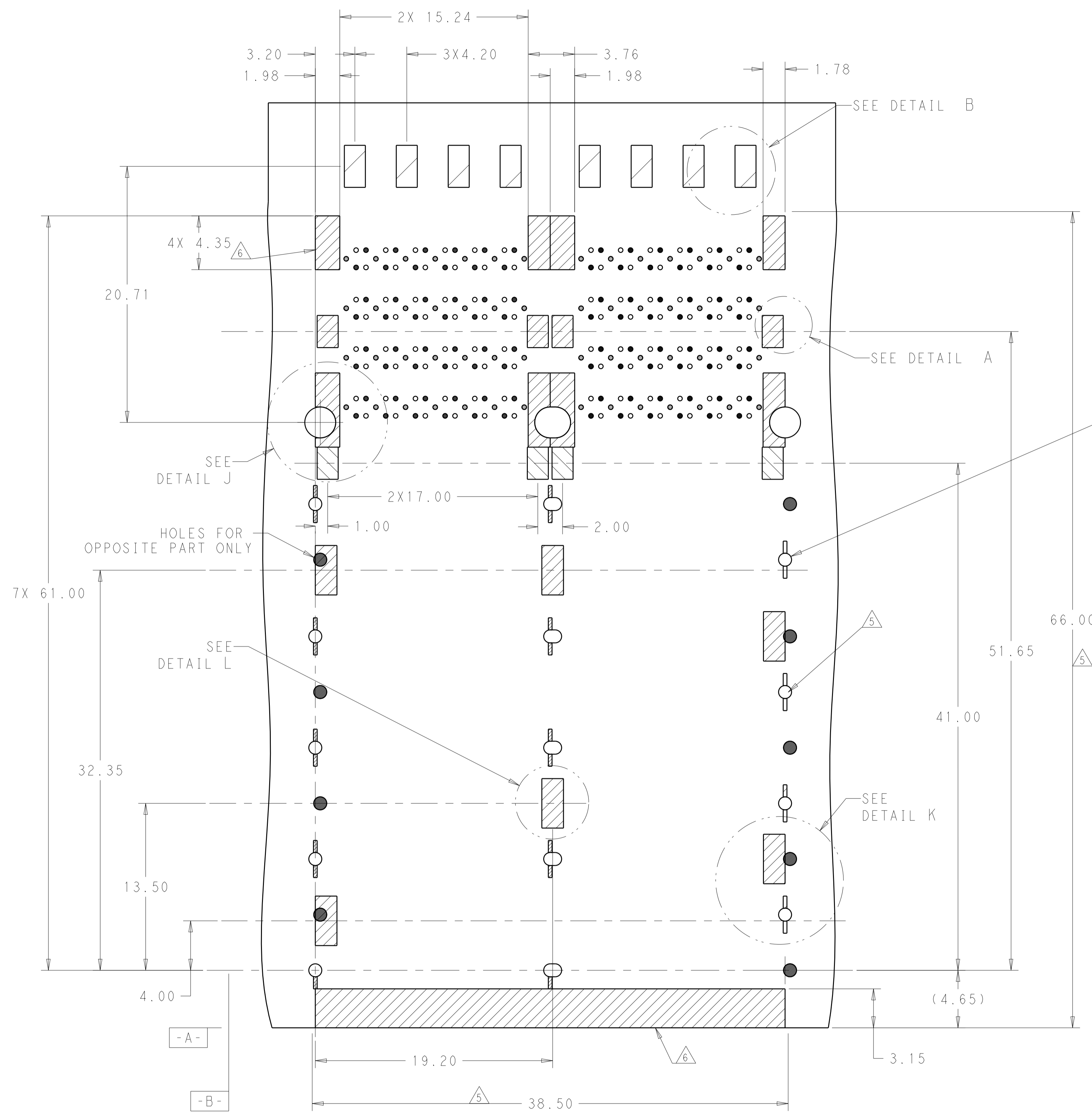
LOWER PORT

DETAIL G SCALE 15:1

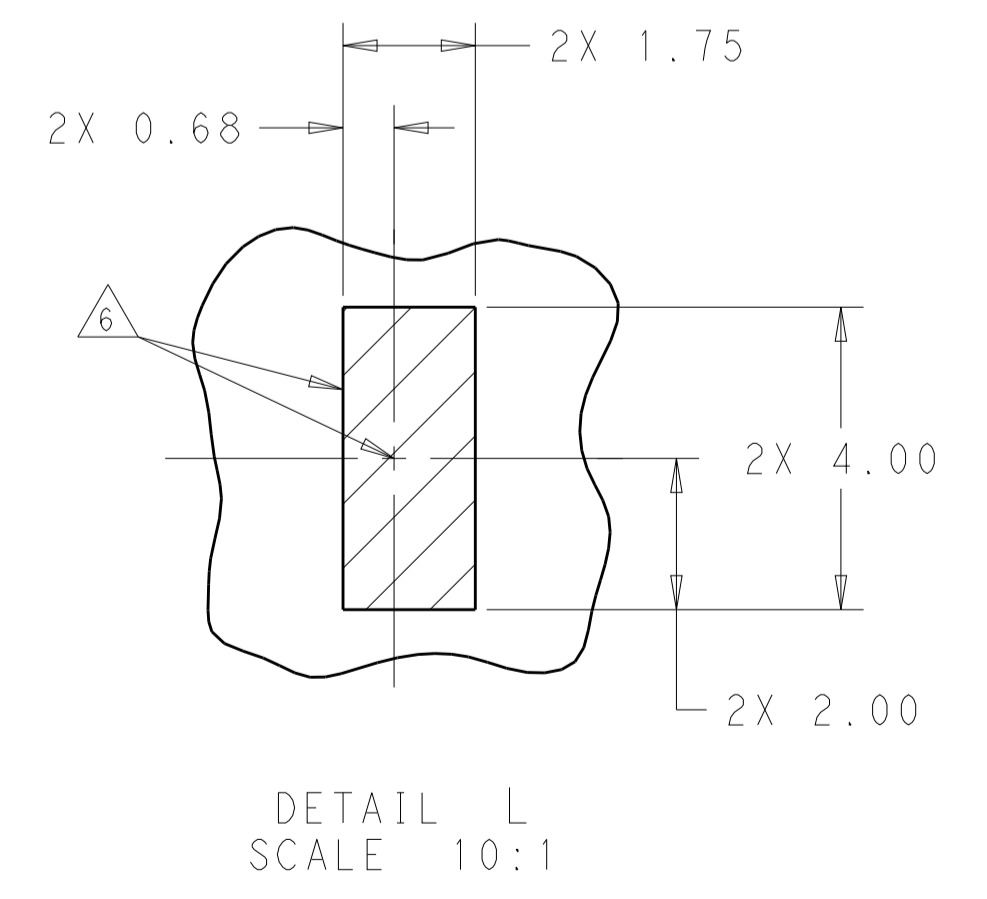
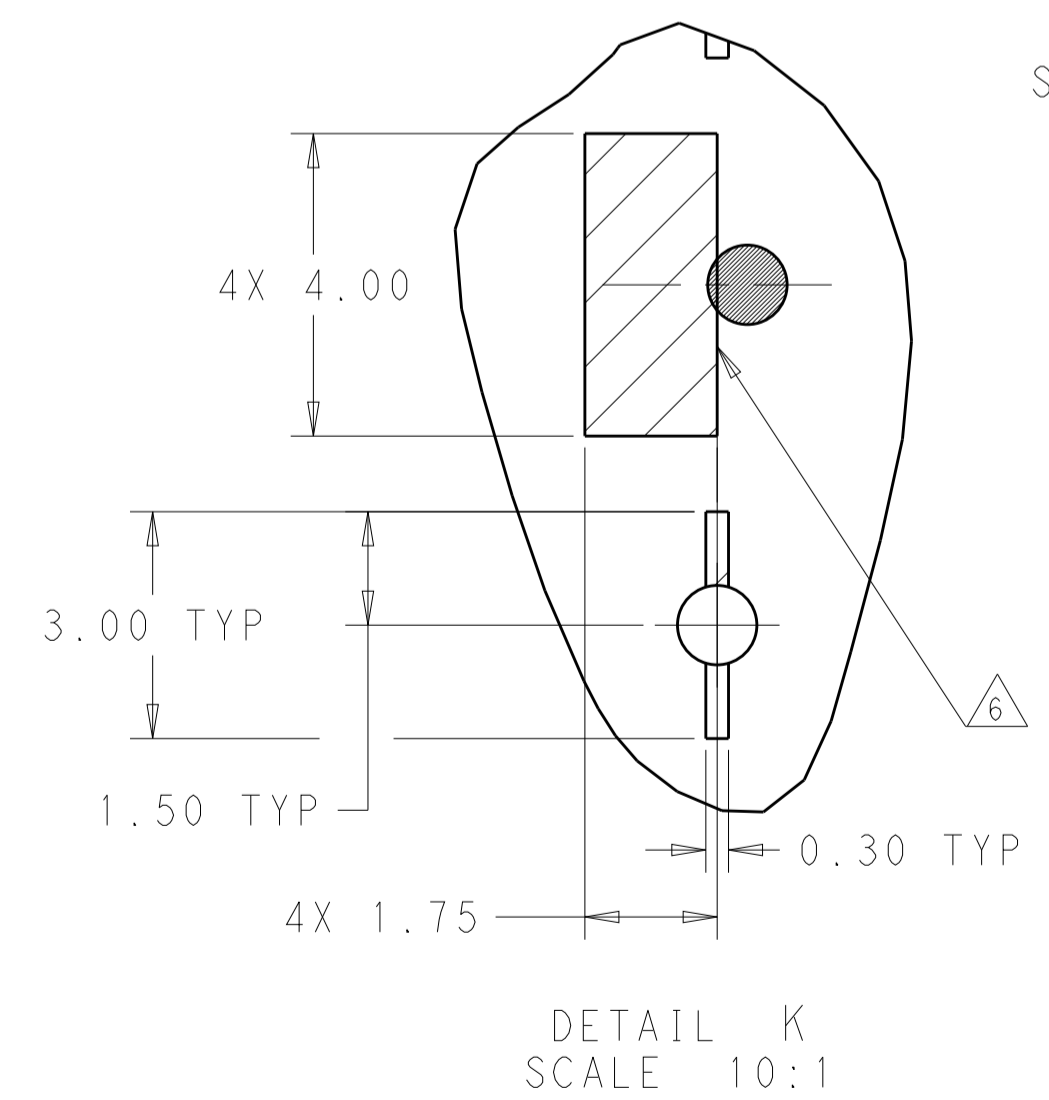
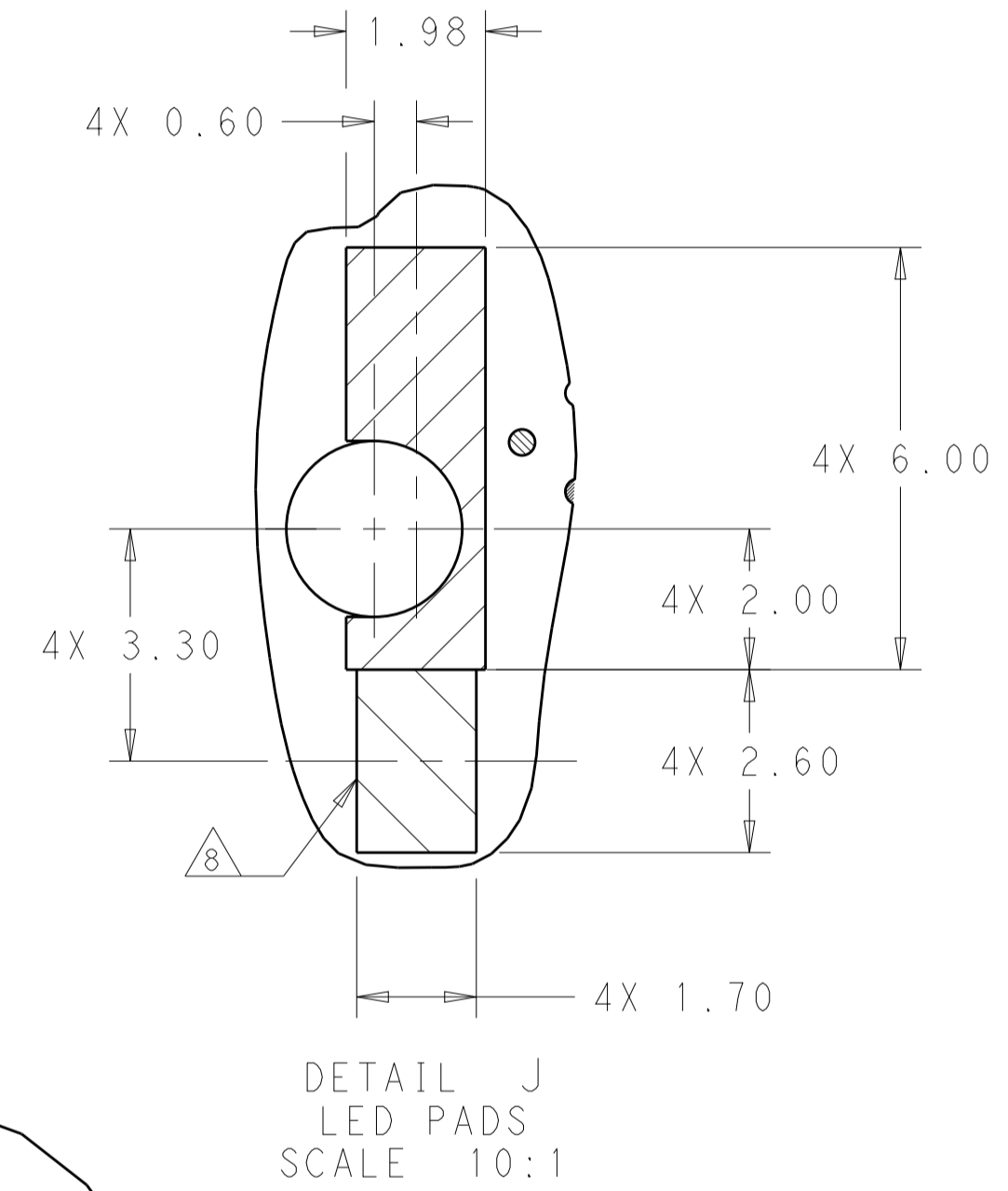
DETAIL C SCALE 15:1

| | | | |
|--|--------------------|--------------------------|---|
| THIS DRAWING IS A CONTROLLED DOCUMENT. | | OWN: TIM XUE 17AUG2016 | TE Connectivity |
| DIMENSIONS: mm | | CHK: SEAN HAN 17AUG2016 | |
| TOLERANCES UNLESS OTHERWISE SPECIFIED: | | APVD: SEAN HAN 17AUG2016 | NAME: zOSFP+ 2X2.4 INTERNAL LIGHT PIPES WITH EMI SPRING FINGERS, BELLY TO BELLY APPLICATION |
| 0 PLC ± | 1 PLC ±0.25 | PRODUCT SPEC | SIZE: CAGE CODE DRAWING NO. RESTRICTED TO |
| 2 PLC ±0.20 | 3 PLC ± | APPLICATION SPEC | A100779C=2308171 |
| 4 PLC ± | ANGLES ± | WEIGHT | SCALE 1:1 SHEET 7 OF 10 REV D1 |
| MATERIAL: SEE NOTE 1 | FINISH: SEE NOTE 2 | CUSTOMER DRAWING | |

| LOC | DIST | REVISIONS | | | |
|-----|------|-----------|-------------|----|------|
| GP | 00 | REV | DATE | BY | APPV |
| | | 1 | SEE SHEET 1 | | |



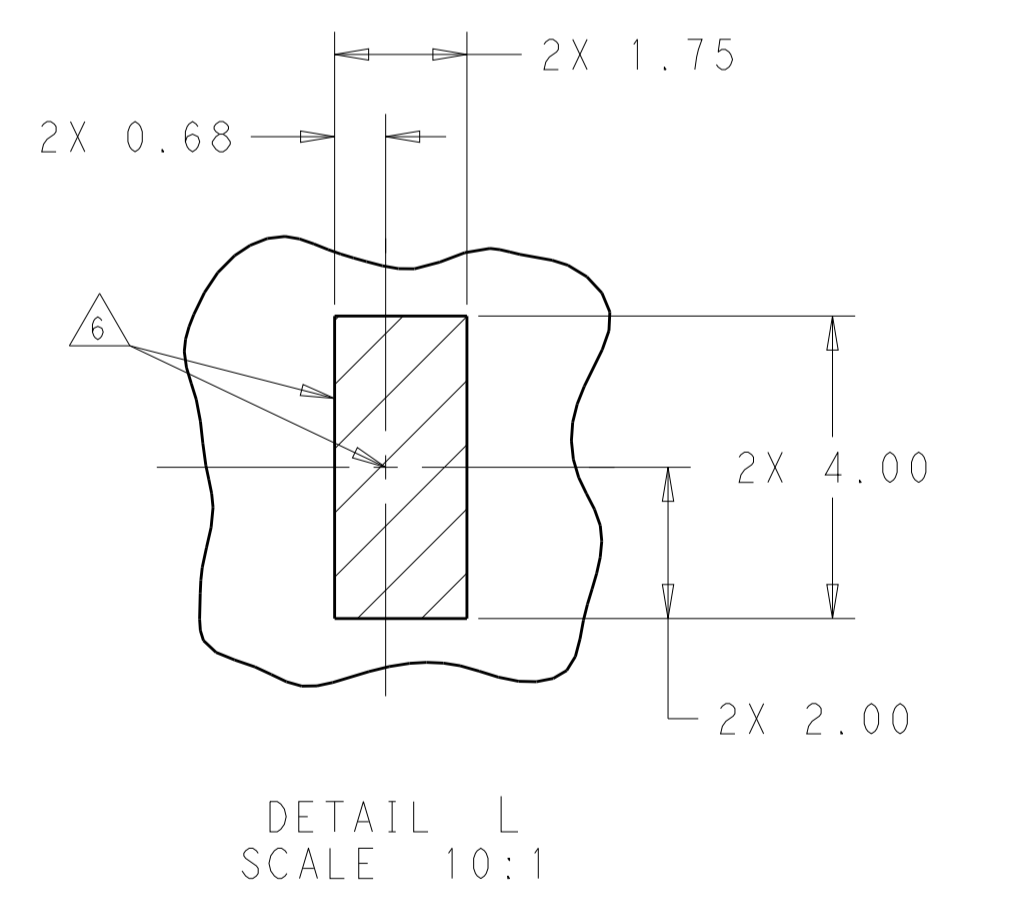
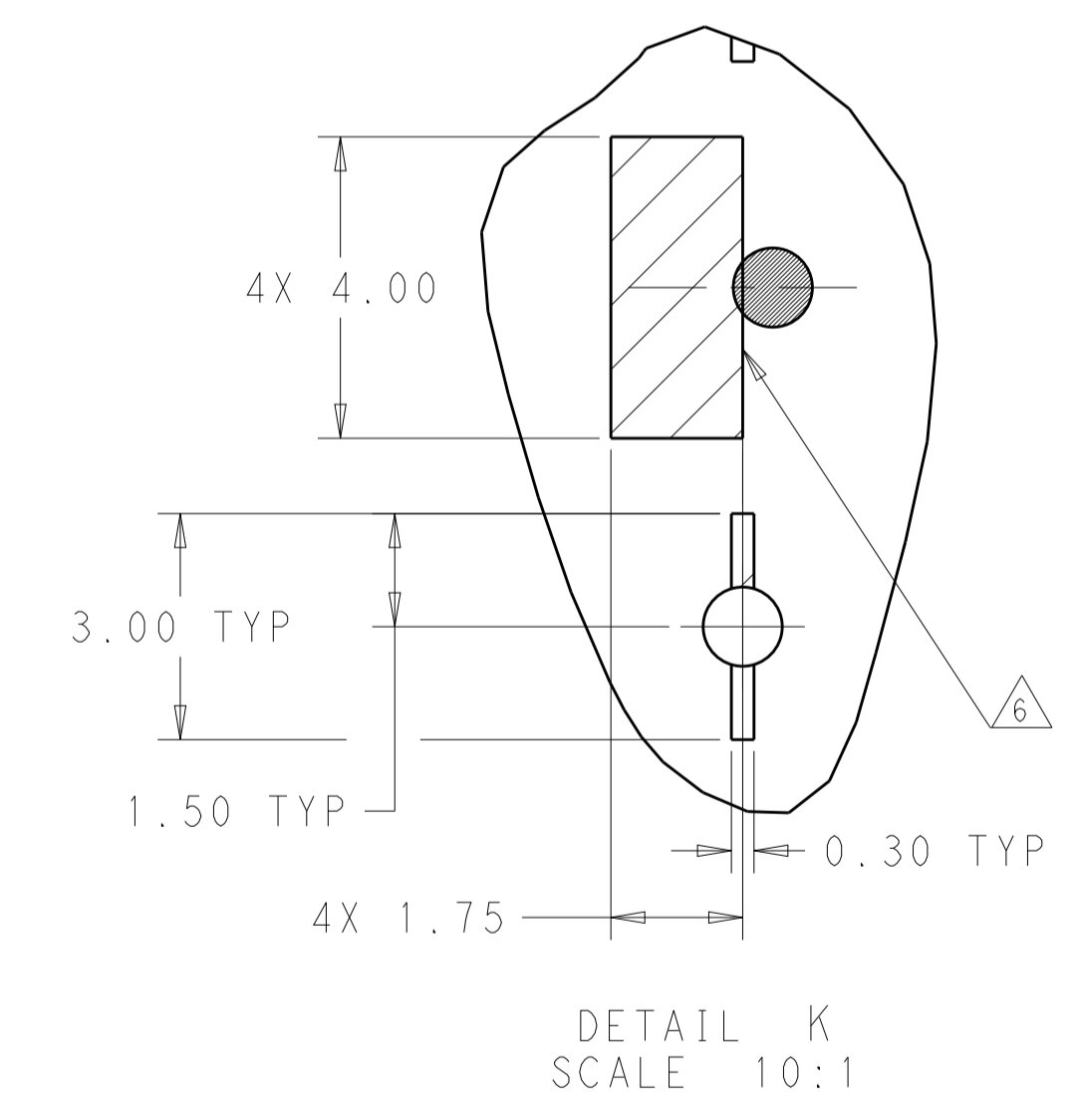
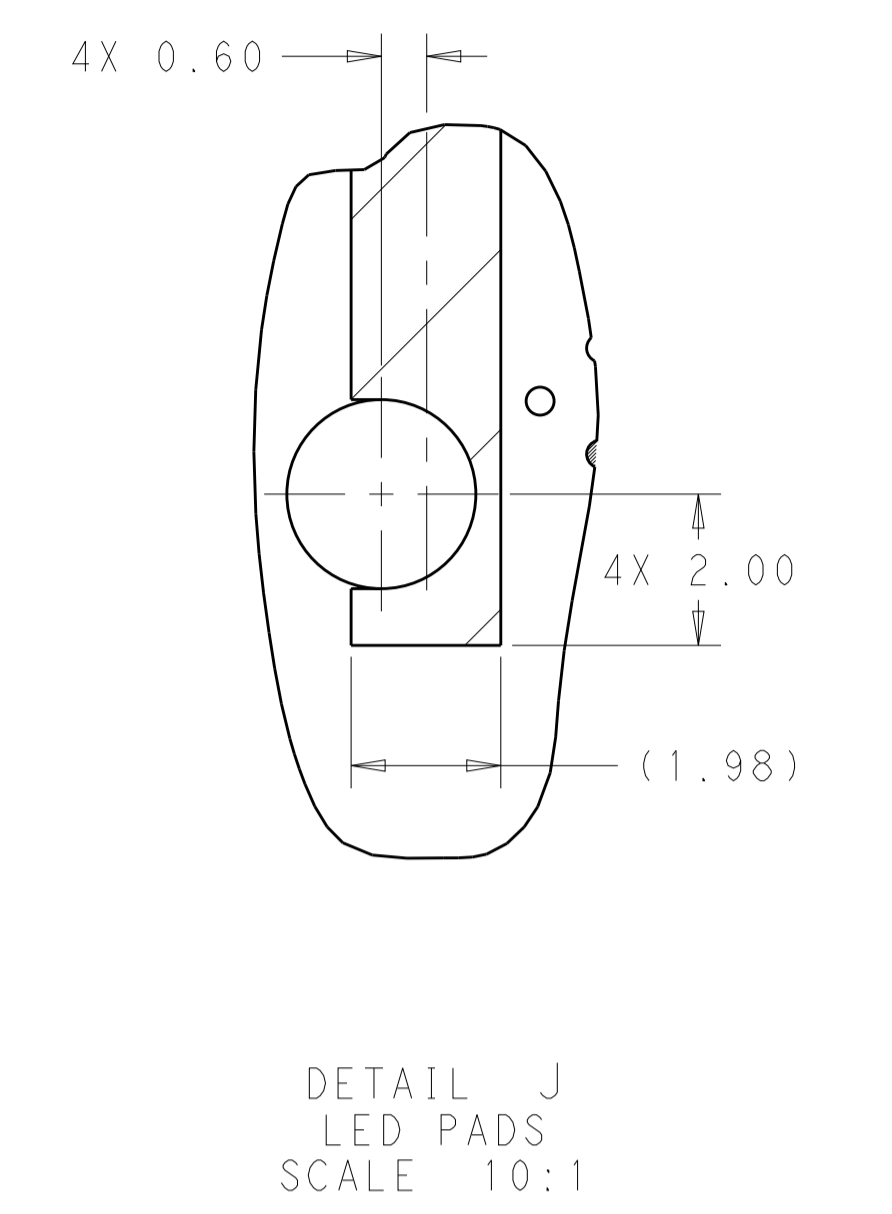
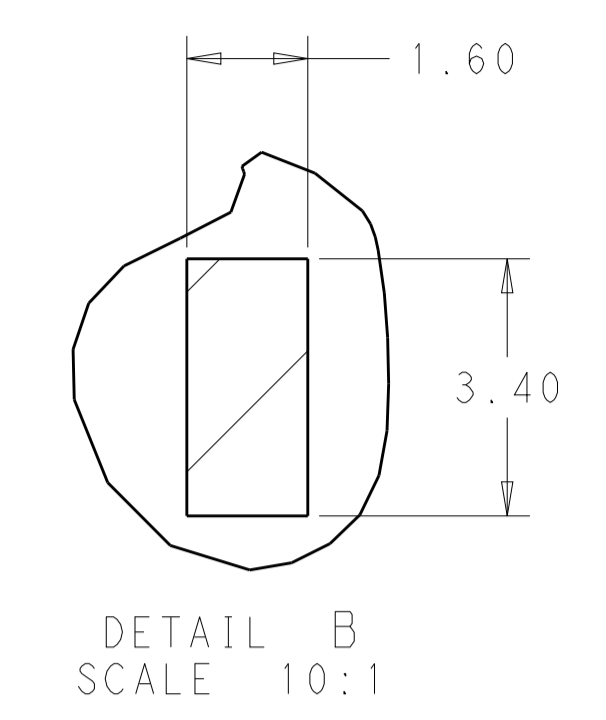
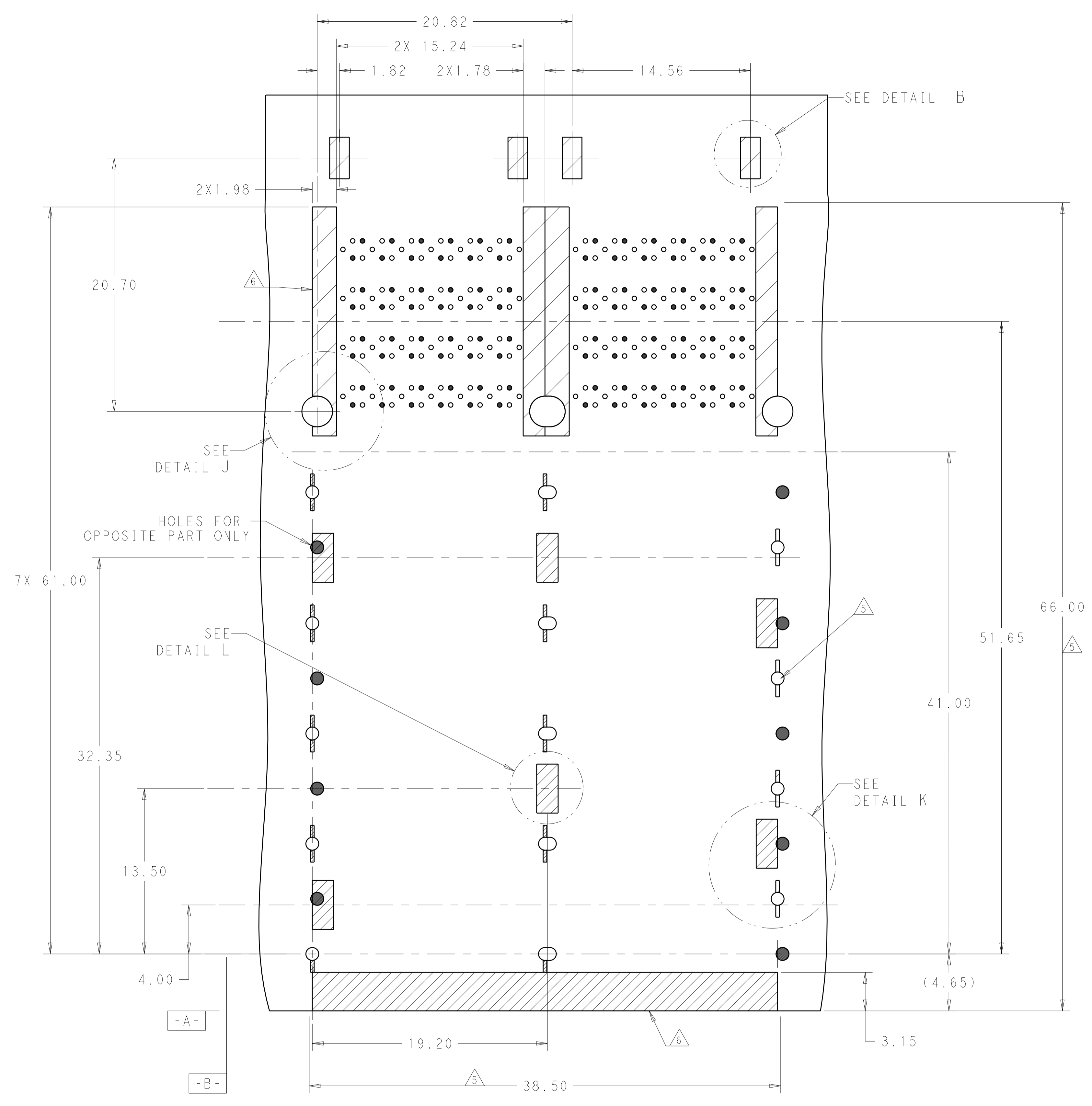
OPTIONAL TO REMOVE THIS HOLE FOR 1-2308171-0 AND 1-2308171-1



KEEPOUT AREAS
 TOP COMPONENT SIDE OF BOARD
 (PCB TOLERANCE ±0.05)
 SCALE 5:1

| | | | |
|--|--------------------|--------------------------|---|
| THIS DRAWING IS A CONTROLLED DOCUMENT. | | OWN: TIM XUE 17AUG2016 | TE Connectivity |
| DIMENSIONS: mm | | CHK: SEAN HAN 17AUG2016 | |
| TOLERANCES UNLESS OTHERWISE SPECIFIED: | | APPV: SEAN HAN 17AUG2016 | NAME: zQSFP+ 2X2.4 INTERNAL LIGHT PIPES WITH EMI SPRING FINGERS, BELLY TO BELLY APPLICATION |
| 0 PLC ± | 1 PLC ±0.25 | PRODUCT SPEC | SIZE: 114-60015 |
| 2 PLC ±0.20 | 3 PLC ± | APPLICATION SPEC | WEIGHT: - |
| 4 PLC ± | ANGLES ± | FINISH ± | CAGE CODE: A100779 |
| MATERIAL: SEE NOTE 1 | FINISH: SEE NOTE 2 | CUSTOMER DRAWING | SCALE: 1:1 SHEET 8 OF 10 REV D1 |

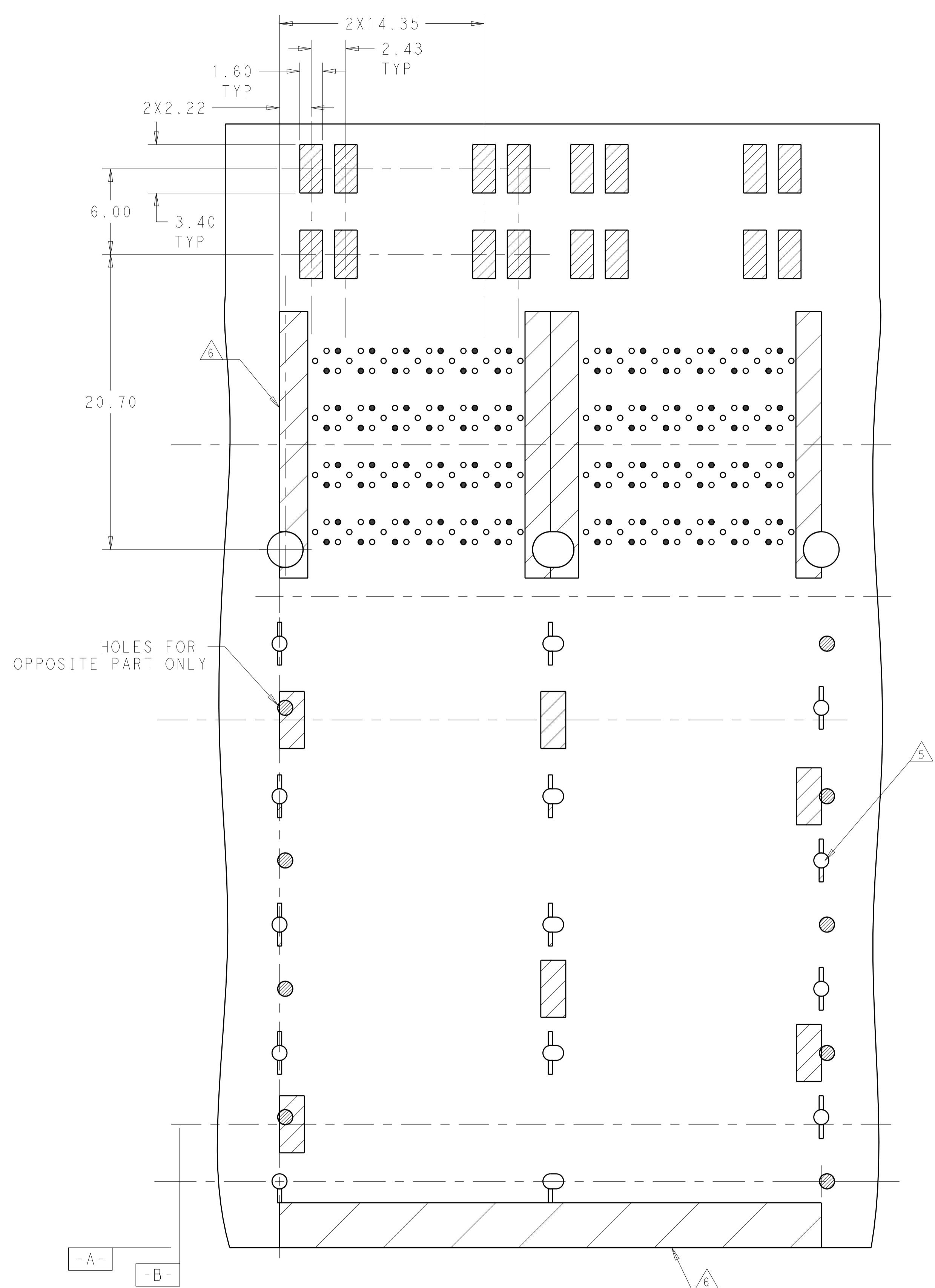
| LOC | DIST | REVISIONS | | | | | |
|-----|------|-----------|-----|-------------|------|-----|------|
| GP | 00 | P | LTN | DESCRIPTION | DATE | DMN | APVD |
| | | - | | SEE SHEET 1 | - | - | - |



KEEPOUT AREAS OF 2-2308171-0
 TOP COMPONENT SIDE OF BOARD
 (PCB TOLERANCE ±0.05)
 SCALE 5:1

| | | | | | |
|---|--|------------|----------|------------------|---|
| THIS DRAWING IS A CONTROLLED DOCUMENT. | | DMN | TIM XUE | 17AUG2016 | TE Connectivity NAME zQSFP+ 2X2.4 INTERNAL LIGHT PIPES WITH EMI SPRING FINGERS, BELLY TO BELLY APPLICATION PRODUCT SPEC 108-60102 APPLICATION SPEC 114-60015 SIZE CAGE CODE DRAWING NO. A100779C=2308171 RESTRICTED TO |
| DIMENSIONS: | | CHK | SEAN HAN | 17AUG2016 | |
| mm | | APVD | SEAN HAN | 17AUG2016 | |
| 0 PLC ± 1 PLC ±0.25 2 PLC ±0.20 3 PLC ± 4 PLC ± ANGLES ± | | MATERIAL | | WEIGHT | |
| SEE NOTE 1 | | SEE NOTE 2 | | CUSTOMER DRAWING | SCALE 1:1 SHEET 9 OF 10 REV D1 |

| LOC | DIST | REVISIONS | | | |
|-----|------|-------------|------|-----|------|
| P | LTN | DESCRIPTION | DATE | DWN | APVD |
| - | - | SEE SHEET 1 | - | - | - |
| | | | | | |
| | | | | | |



KEEPOUT AREAS OF 2-2308171-1
 TOP COMPONENT SIDE OF BOARD
 UNSPECIFIED SPEC, REFER TO
 2-2308171-0 PCB LAYOUT
 (PCB TOLERANCE ±0.05)
 SCALE 5:1

| | | | | | |
|--|--|------------------|-----------|---|----------------------------|
| THIS DRAWING IS A CONTROLLED DOCUMENT. | | DWN | TIM XUE | 17AUG2016 | STE TE Connectivity |
| DIMENSIONS: | | CHK | SEAN HAN | 17AUG2016 | |
| mm | TOLERANCES UNLESS OTHERWISE SPECIFIED: | APVD | SEAN HAN | 17AUG2016 | NAME |
| 0 PLC ± | 1 PLC ±0.25 | PRODUCT SPEC | | zOSFP+ 2X2.4 INTERNAL LIGHT PIPES WITH EMI SPRING FINGERS, BELLY TO BELLY APPLICATION | |
| 2 PLC ±0.20 | 3 PLC ± | APPLICATION SPEC | | 108-60102 | |
| 4 PLC ± | ANGLES ± | SIZE | CAGE CODE | DRAWING NO | RESTRICTED TO |
| MATERIAL | FINISH | WEIGHT | | A100779C=2308171 | |
| SEE NOTE 1 | SEE NOTE 2 | CUSTOMER DRAWING | | SCALE | 1:1 SHEET 10 OF 10 REV D1 |

X-ON Electronics

Largest Supplier of Electrical and Electronic Components

Click to view similar products for [I/O Connectors](#) category:

Click to view products by [TE Connectivity](#) manufacturer:

Other Similar products are found below :

[571763P](#) [72.250.1628.2](#) [72.250.2428.2](#) [74720-0505](#) [76.350.0729.0](#) [76871-1403](#) [FCN-244F080-G/1](#) [FCN-260A9920](#) [MP-5T180MUNNA-005](#)
[PCR-E36PM](#) [PCS-XE26MA+](#) [G38A71314B](#) [1571250010](#) [157-22500-3](#) [MS3471L14-19P L/C](#) [91-569786-35H](#) [172501-4002](#) [172501-6002](#)
[FCN-260C008-A/L0](#) [FCN-260C024-AL0](#) [FCN-261Z008](#) [2000314-1](#) [200331-1](#) [PCR-E36FC+](#) [PCS-E28FS+](#) [PCS-XE26SLFD+](#) [PCS-](#)
[XE26SLFDT+](#) [G730VID08BDC24](#) [U90B2054081210](#) [UE86K842720321](#) [38113800006](#) [DP3AR020WQ1R200](#) [Z4.102.0680.0](#) [500-1040](#)
[500-1052](#) [500-1054](#) [ZP-4008-66L](#) [0709821002](#) [10-565995-597N](#) [DX40-20P\(55\)](#) [5554841-1](#) [U90B3054061110](#) [U65-E04-4020](#)
[ZPF00000000097891](#) [557-262M2-06C](#) [747360449](#) [10099439-003C-TRLF](#) [10137239-0021LF](#) [E9320-001-01](#) [10137239-0011LF](#)