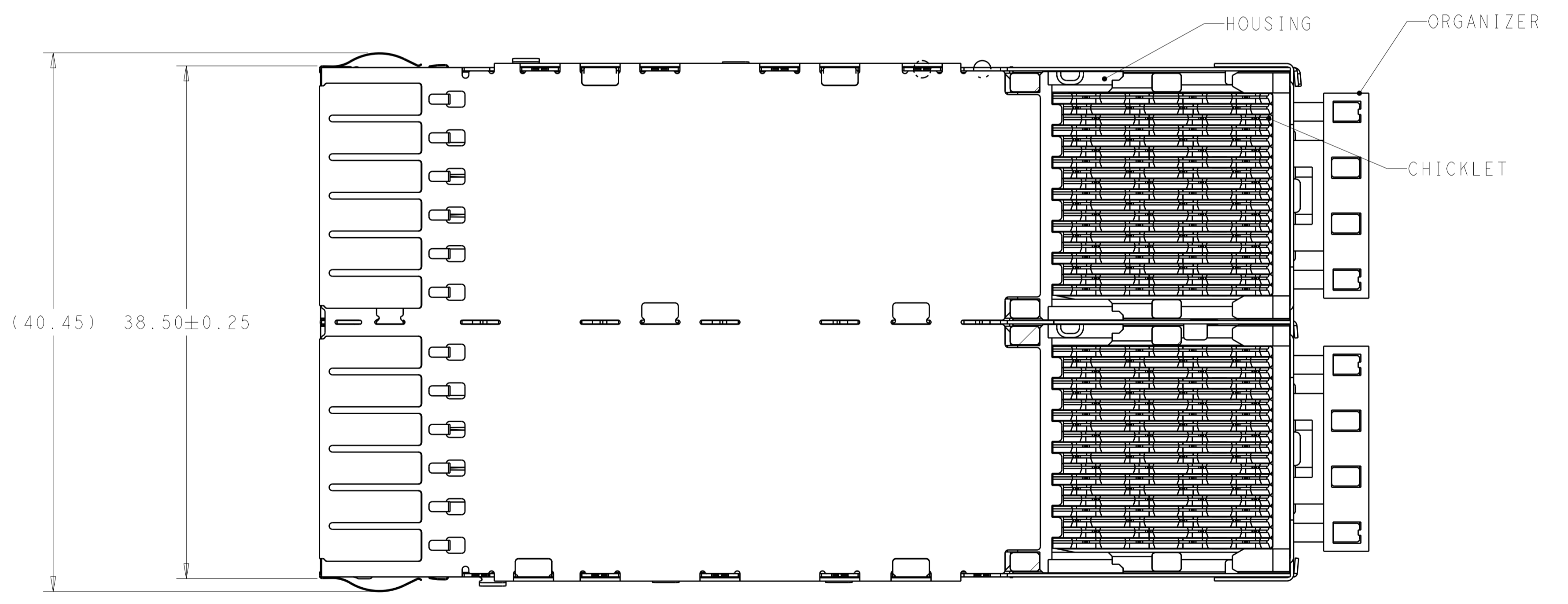
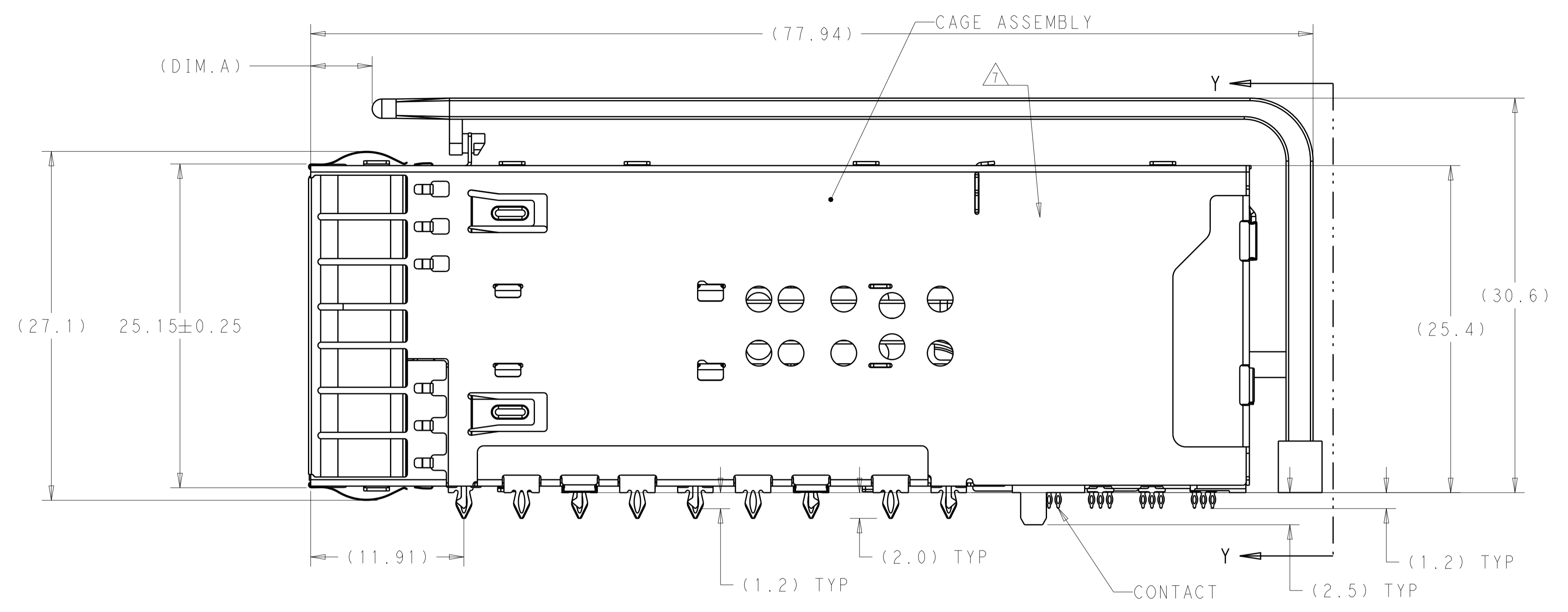
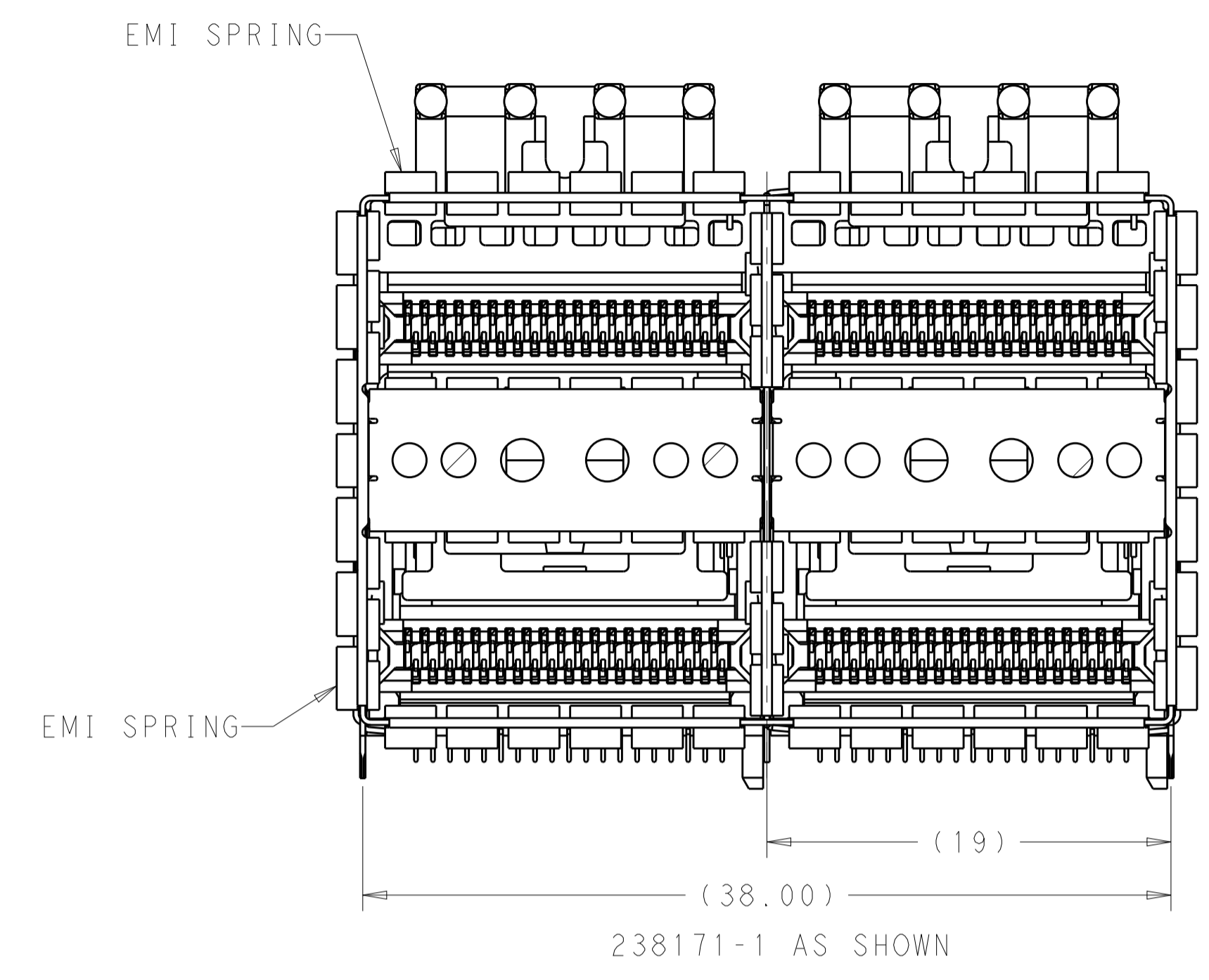


LOC	DIST	REVISIONS			
P	LTN	DESCRIPTION	DATE	DMN	APVD
C		REVISED PER ECO-18-020051	24DEC2018	TX	SH
D		REVISED PER ECR-20-014390	14OCT2020	RM	SH
D1		REVISED PER ECO-21-000016	04JAN2021	SH	SZ

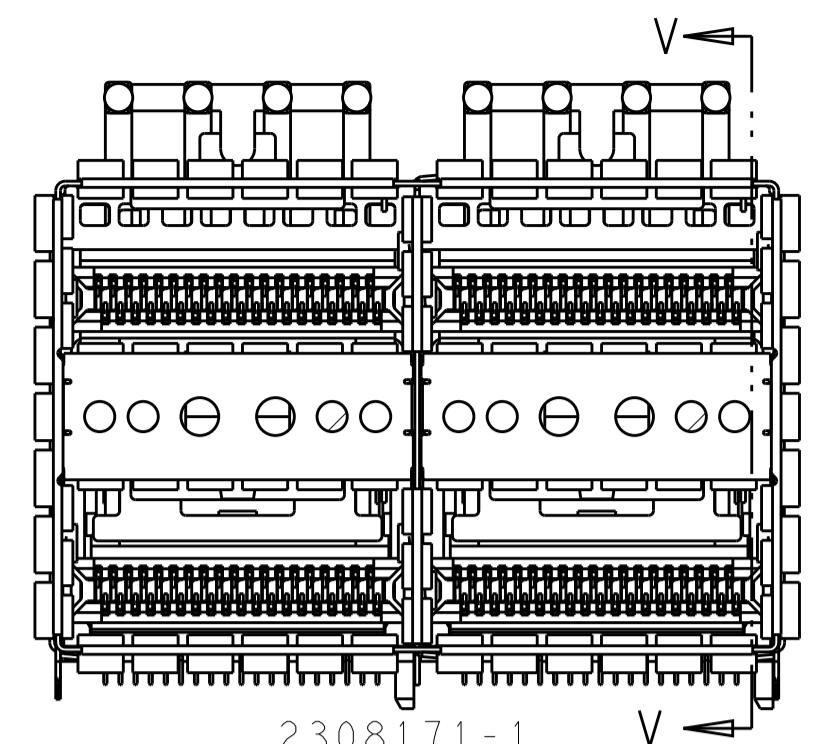


- MATERIALS:
 CAGE ASSEMBLY- NICKEL SILVER ALLOY PER ASTM B 122.
 EMI SPRING- COPPER ALLOY, NICKEL PLATED.
 HOUSING- POLYESTER LCP WITH 94V-0.
 CHICKLET- POLYESTER LCP WITH 94V-0.
 CONTACT- COPPER ALLOY.
 LIGHTPIPE- POLYCARBONATE WITH 94V-0.
- CONTACT FINISH: 0.76µm MIN GOLD ON MATING AREA, 0.7-1.5µm MATT TIN ON COMPLIANT AREA, ALL OVER 1.27µm MIN NICKEL.
- DATUM AND BASIC DIMENSION ESTABLISHED BY CUSTOMER.
- MINIMUM PCB THICKNESS OF 3.0 FOR BELLY TO BELLY APPLICATION.
- THE ENTIRE AREA OF THE CONNECTOR FOOTPRINT, INDICATED BY THE DASHED LINE, TO BE CONSIDERED THE KEEPOUT AREA FOR COMPONENTS AND TRACES.
- CROSS-HATCHED AREAS REPRESENT ZONES ON THE PCB THAT COME IN CONTACT WITH OR BE IN CLOSE PROXIMITY TO THE PLASTIC HOUSING OR THE CONNECTOR CAGE. INDICATED AREAS TO BE CONSIDERED TRACE FREE.
- PART NUMBER AND DATE CODE MADE IN APPROXIMATE AREA SHOWN.
- HATCHED AREA IS PLACEMENT ZONE FOR LED. LED SHOULD BE CENTERED WITHIN ZONE. RECOMMEND 0805 PACKAGE.

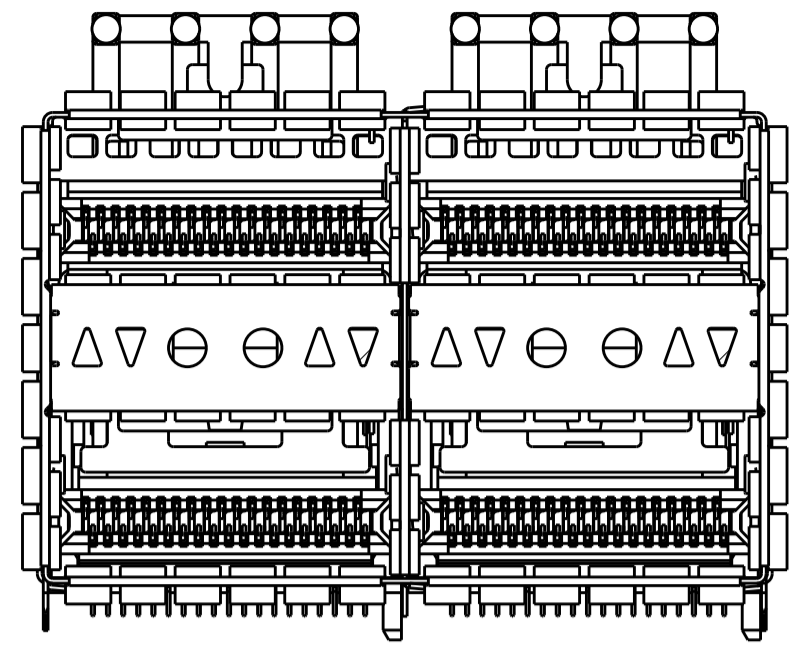
THIS DRAWING IS A CONTROLLED DOCUMENT.

DIMENSIONS:	TOLERANCES UNLESS OTHERWISE SPECIFIED:	DMN: TIM XUE 17AUG2016	TE Connectivity
mm	0 PLC ±	CHK: SEAN HAN 17AUG2016	
	1 PLC ±0.25	APVD: SEAN HAN 17AUG2016	
	2 PLC ±0.20	NAME: zOSFP+ 2X2 4 INTERNAL LIGHT PIPES WITH EMI SPRING FINGERS, BELLY TO BELLY APPLICATION	
	3 PLC ±	PRODUCT SPEC: 108-60102	SIZE: A1
	4 PLC ±	APPLICATION SPEC: 114-60015	CAGE CODE: 2308171
MATERIAL:	FINISH:	WEIGHT:	RESTRICTED TO:
SEE NOTE 1	SEE NOTE 2	CUSTOMER DRAWING	SCALE: 4:1 SHEET 1 OF 10 REV: D1

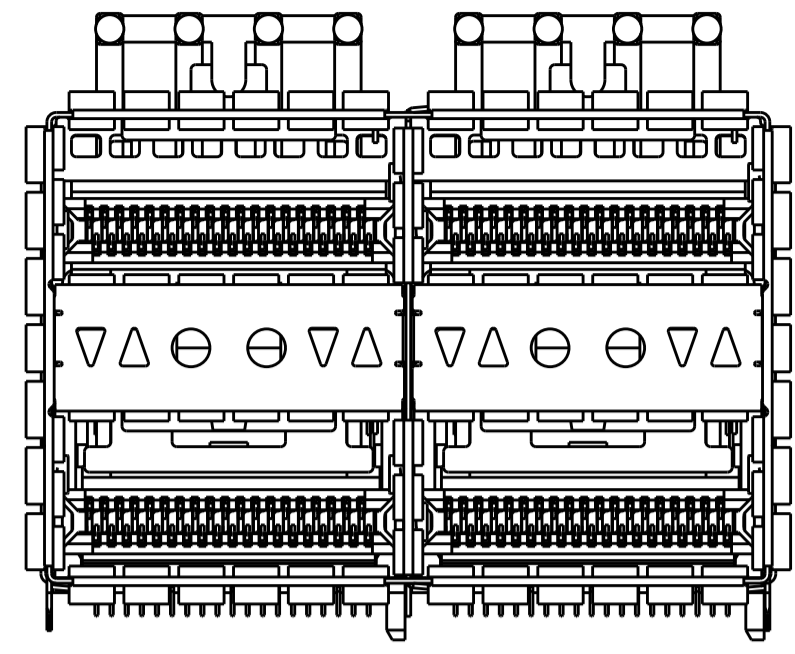
LOC	DIST	REVISIONS					
GP	00	P	LYR	DESCRIPTION	DATE	OWN	APVD
		-		SEE SHEET 1			



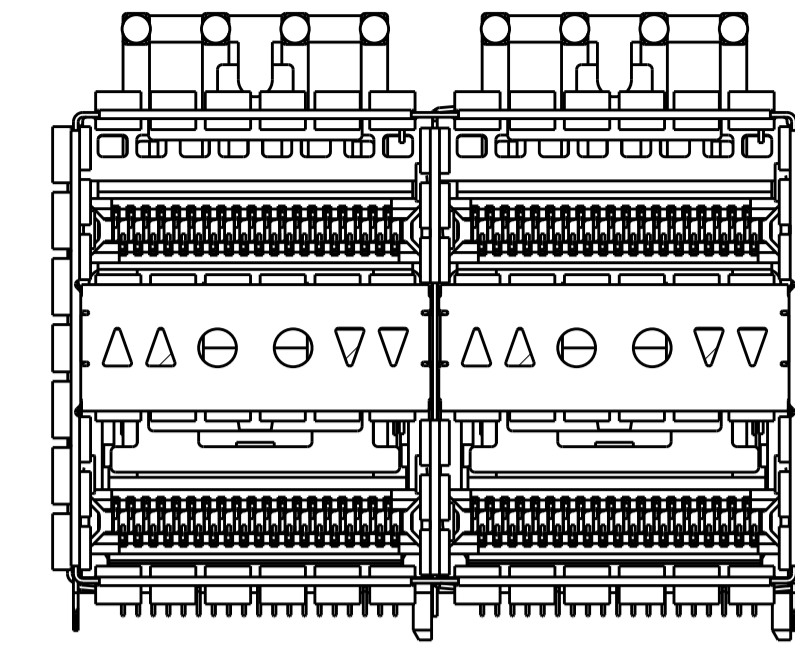
2308171-1
 2308171-7
 1-2308171-0
 3-2308171-0
 ALL ROUND INDICATOR, 4LP
 SCALE 5:2



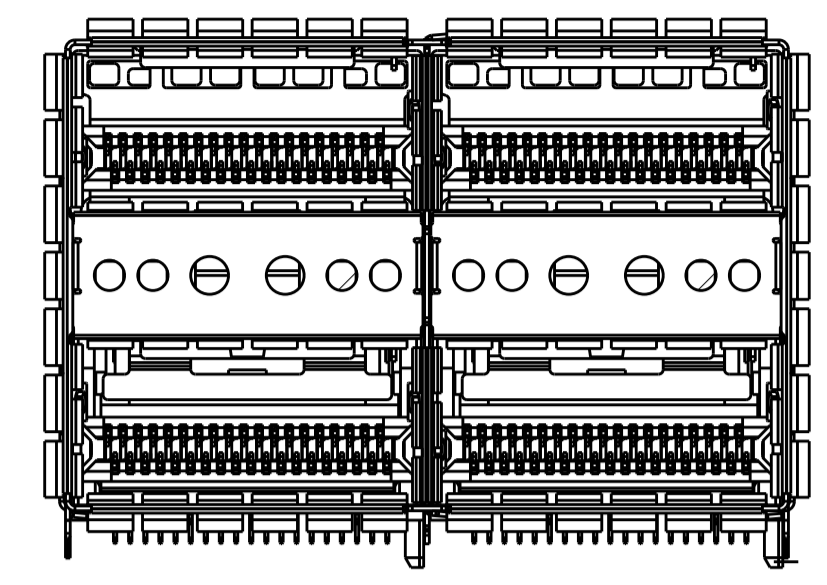
2308171-2
 LEFT INDICATOR UP
 SCALE 5:2



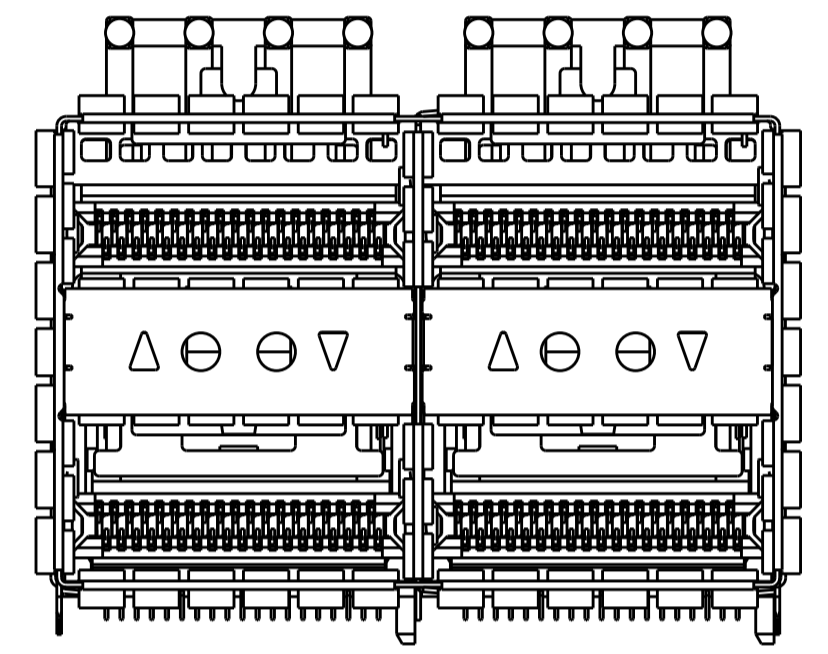
2308171-3
 LEFT INDICATOR DOWN
 SCALE 5:2



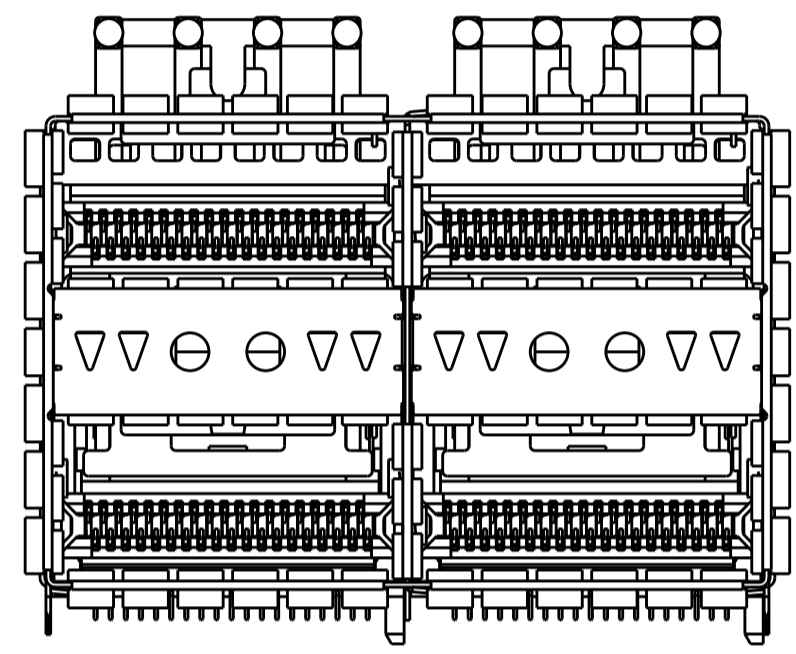
2308171-4
 LEFT INDICATOR UP
 SCALE 5:2



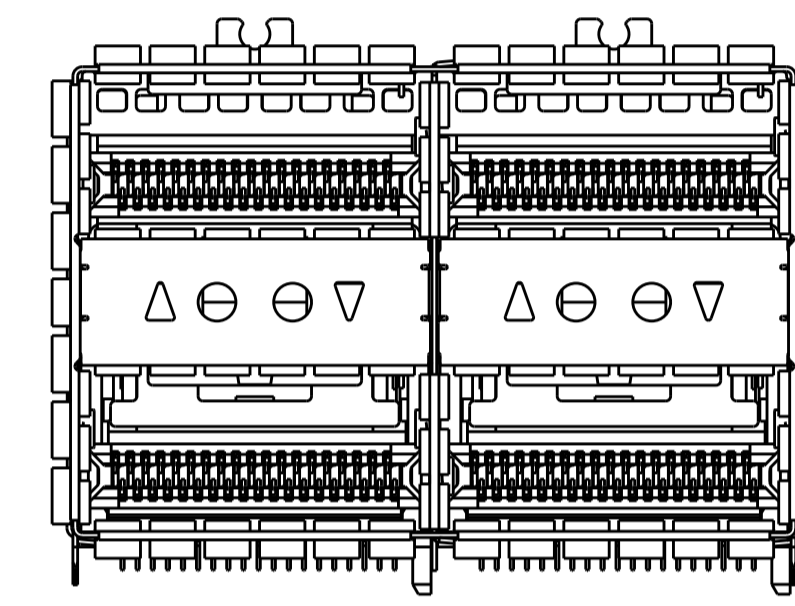
1-2308171-2
 ALL ROUND INDICATOR
 SCALE 5:2



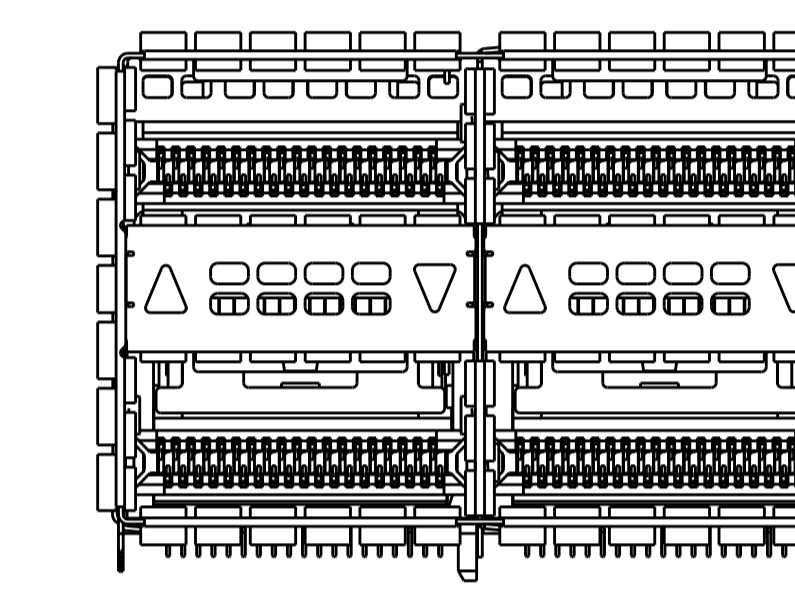
2308171-5
 LEFT INDICATORS UP(2 LIGHT PIPES)
 SCALE 5:2



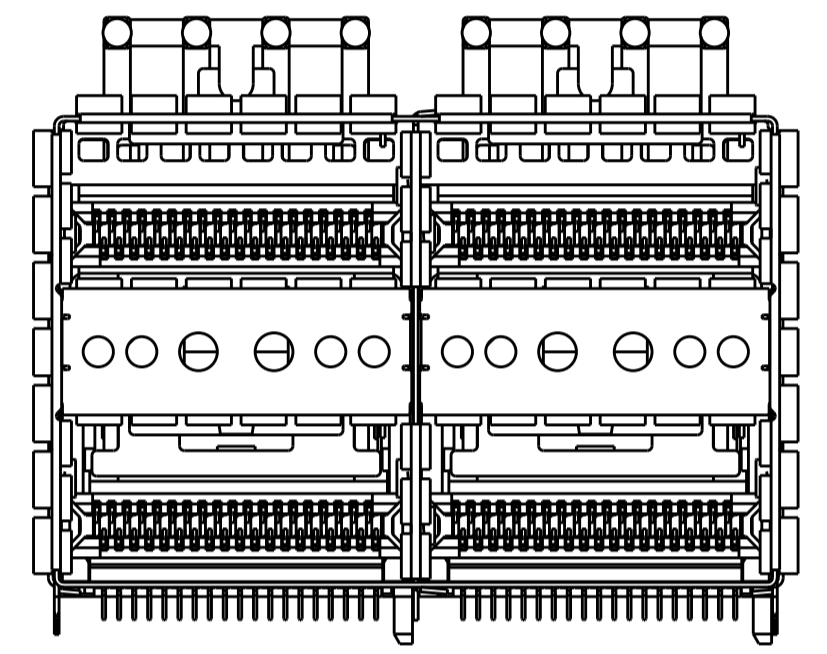
2308171-6
 ALL INDICATORS DOWN
 SCALE 5:2



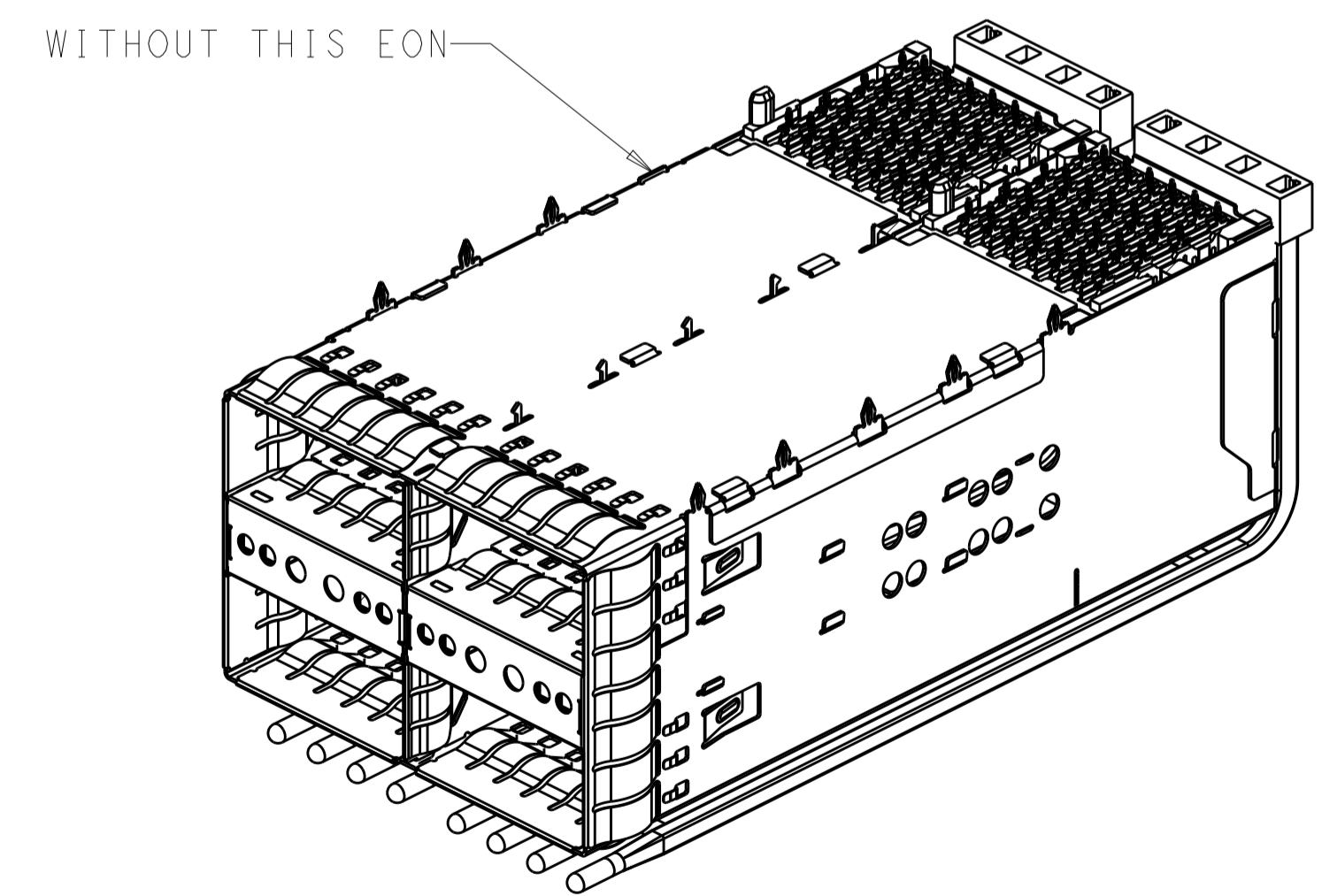
2308171-8
 W/O TOP LIGHT PIPE
 SCALE 5:2



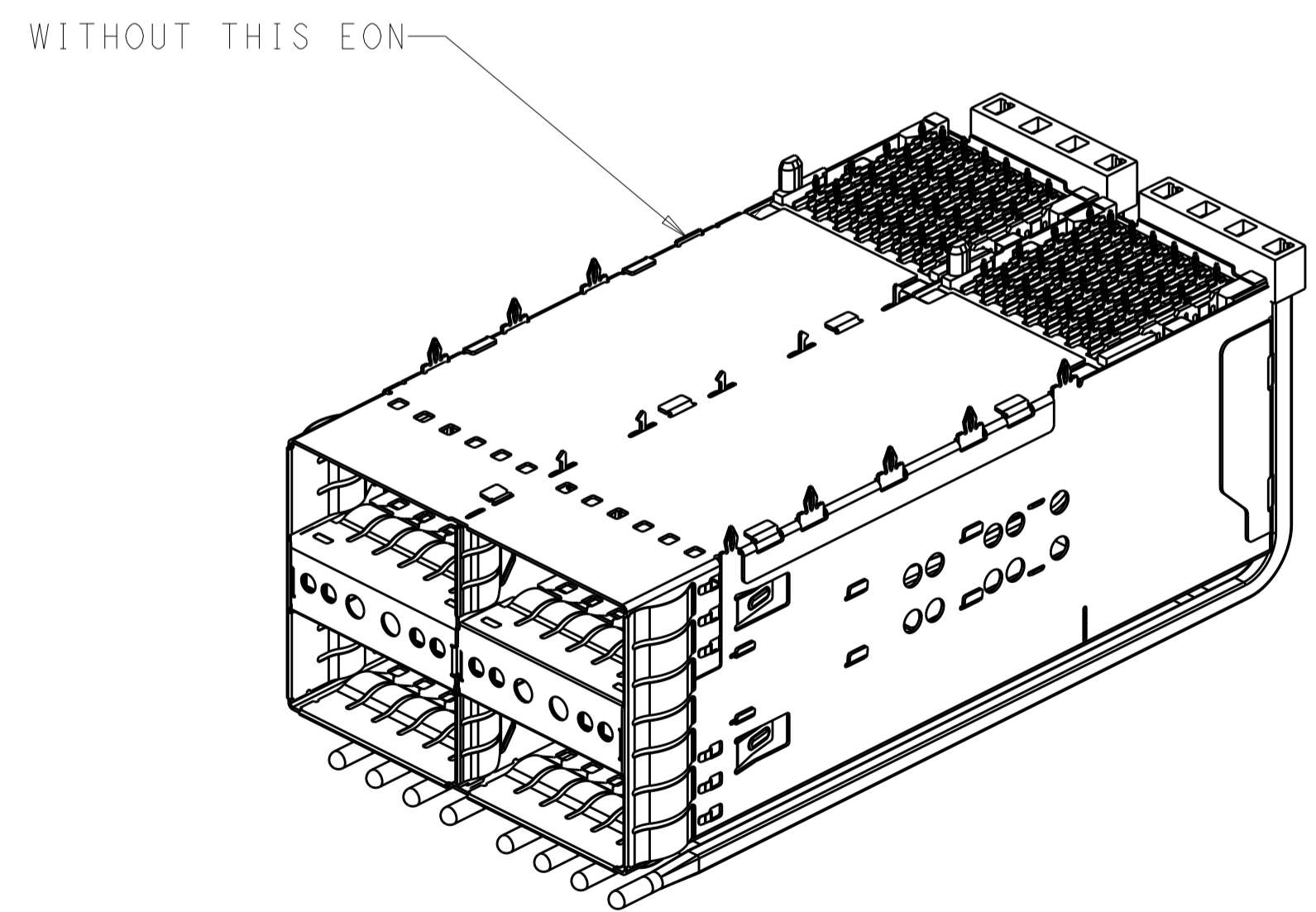
2308171-9
 W/O TOP LIGHT PIPE
 SCALE 5:2



1-2308171-1
 3-2308171-1
 ALL ROUND INDICATOR, 4LP
 WITHOUT BOTTOM EMI SPRINGS
 SCALE 5:2



1-2308171-0
 3-2308171-0
 BOTTOM VIEW
 SCALE 2:1



1-2308171-1
 3-2308171-1
 BOTTOM VIEW
 SCALE 2:1

REMARK	DIM. A	CONTACT FINISH	DESCRIPTION	PART NUMBER
W/O ORGANIZER, W/O TOP LP	N/A	2	LEFT INDICATOR DOWN, 4LP	1-2308171-3
W/ ORGANIZER, UNCOATED LP	0.1	2	ALL ROUND INDICATOR, 4LP	3-2308171-1
W/ ORGANIZER, UNCOATED LP	0.1	2	ALL ROUND INDICATOR, 4LP	3-2308171-0
W/ ORGANIZER, UNCOATED LP	N/A	2	NO INTRENAL LP	2-2308171-1
W/ ORGANIZER, UNCOATED LP	N/A	2	NO INTRENAL LP	2-2308171-0
W/O ORGANIZER, W/O TOP LP	N/A	2	ALL ROUND INDICATOR	1-2308171-2
W/ ORGANIZER, UNCOATED LP	1.6	2	ALL ROUND INDICATOR, 4LP	1-2308171-1
W/ ORGANIZER, UNCOATED LP	1.6	2	ALL ROUND INDICATOR, 4LP	1-2308171-0
W/O ORGANIZER, W/O TOP LP	N/A	2	LEFT INDICATOR UP, 2LP	2308171-9
W/O ORGANIZER, W/O TOP LP	N/A	2	LEFT INDICATOR UP, 2LP	2308171-8
W/O ORGANIZER, UNCOATED LP	1.6	2	ALL ROUND INDICATOR, 4LP	2308171-7
W/ ORGANIZER, UNCOATED LP	1.6	2	ALL INDICATOR DOWN, 4LP	2308171-6
W/O ORGANIZER, UNCOATED LP	4.8	2	LEFT INDICATOR UP, 2LP	2308171-5
W/O ORGANIZER, UNCOATED LP	4.8	2	LEFT INDICATOR UP, 4LP	2308171-4
W/O ORGANIZER, UNCOATED LP	4.8	2	LEFT INDICATOR DOWN, 4LP	2308171-3
W/O ORGANIZER, UNCOATED LP	4.8	2	LEFT INDICATOR UP, 4LP	2308171-2
W/ ORGANIZER, UNCOATED LP	4.8	2	ALL ROUND INDICATOR, 4LP	2308171-1

THIS DRAWING IS A CONTROLLED DOCUMENT.

DIMENSIONS: mm

TOLERANCES UNLESS OTHERWISE SPECIFIED:

0 PLC	±
1 PLC	±0.25
2 PLC	±0.20
3 PLC	±
4 PLC	±
ANGLES	±

MATERIAL: SEE NOTE 1

FINISH: SEE NOTE 2

OWN: TIM XUE 17AUG2016
 CHG: SEAN HAN 17AUG2016
 APVD: SEAN HAN 17AUG2016

NAME: zOSFP+ 2X2 4 INTERNAL LIGHT PIPES WITH EMI SPRING FINGERS, BELLY TO BELLY APPLICATION

PRODUCT SPEC: 108-60102
 APPLICATION SPEC: 114-60015

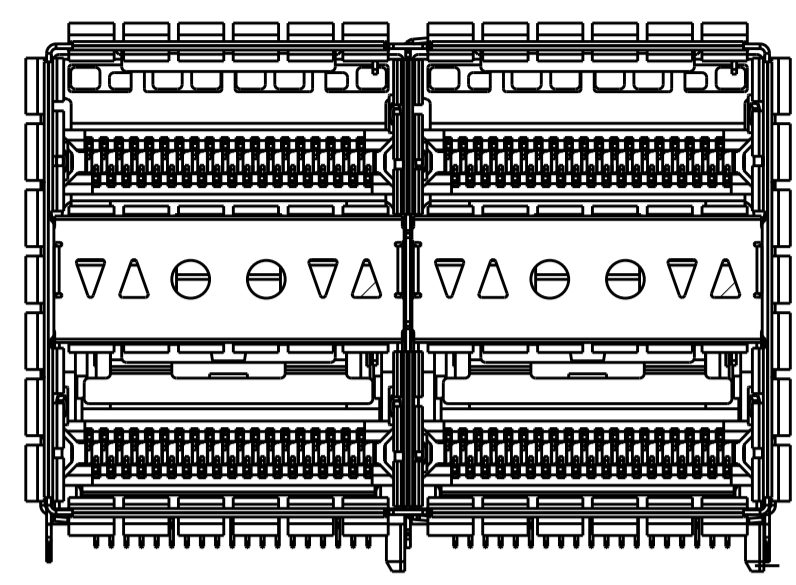
WEIGHT: A100779

SCALE: 4:1 SHEET 2 OF 10 REV D1


TE Connectivity

THIS DRAWING IS UNPUBLISHED. RELEASED FOR PUBLICATION 20
 © COPYRIGHT 20 BY TYCO ELECTRONICS CORPORATION ALL RIGHTS RESERVED.

LOC	DIST	REVISIONS					
GP	00	P	LTN	DESCRIPTION	DATE	DWN	APVD
		-		SEE SHEET 1	-	-	-

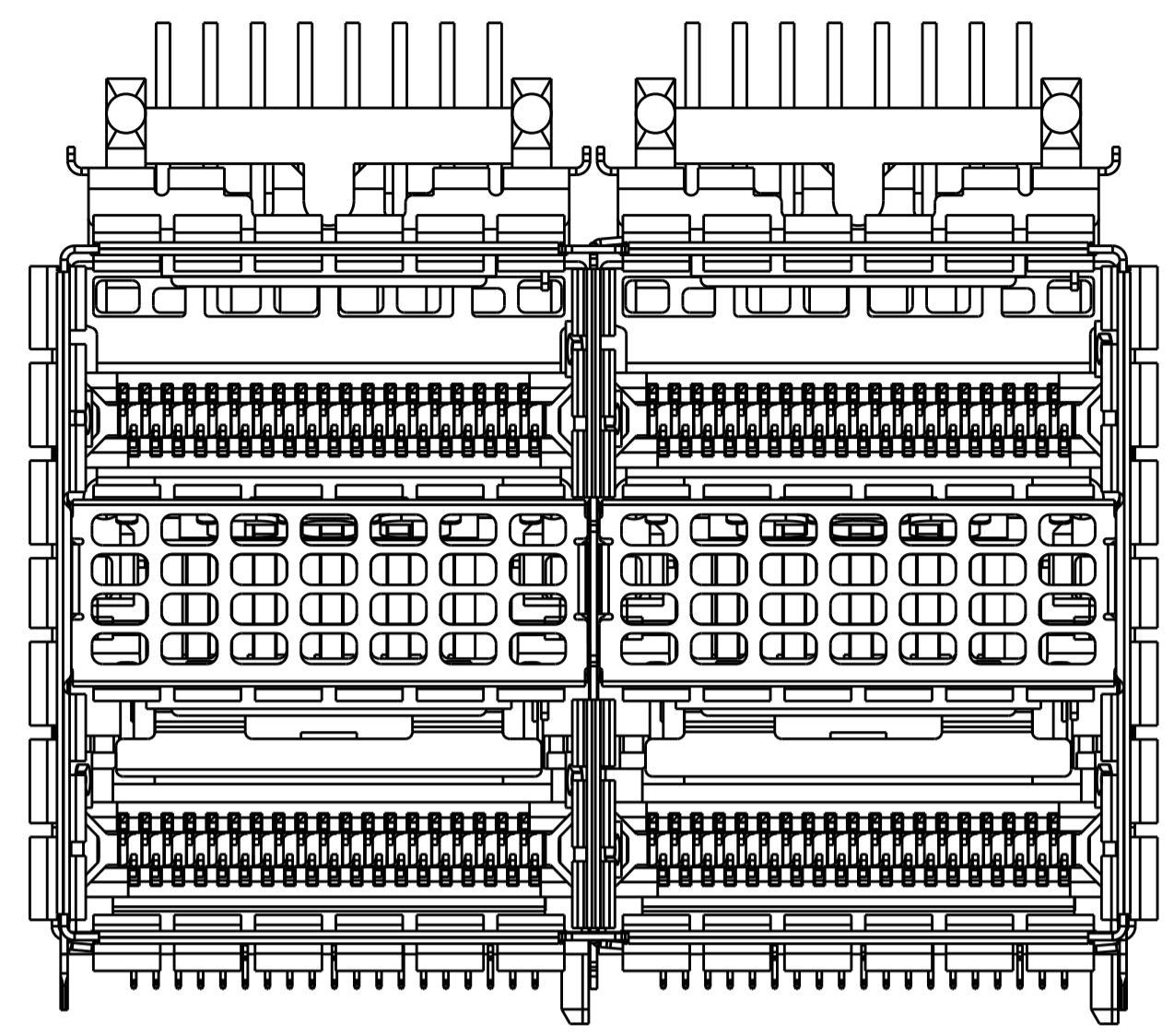


1-2308171-3
 LEFT INDICATOR DOWN
 SCALE 5:2

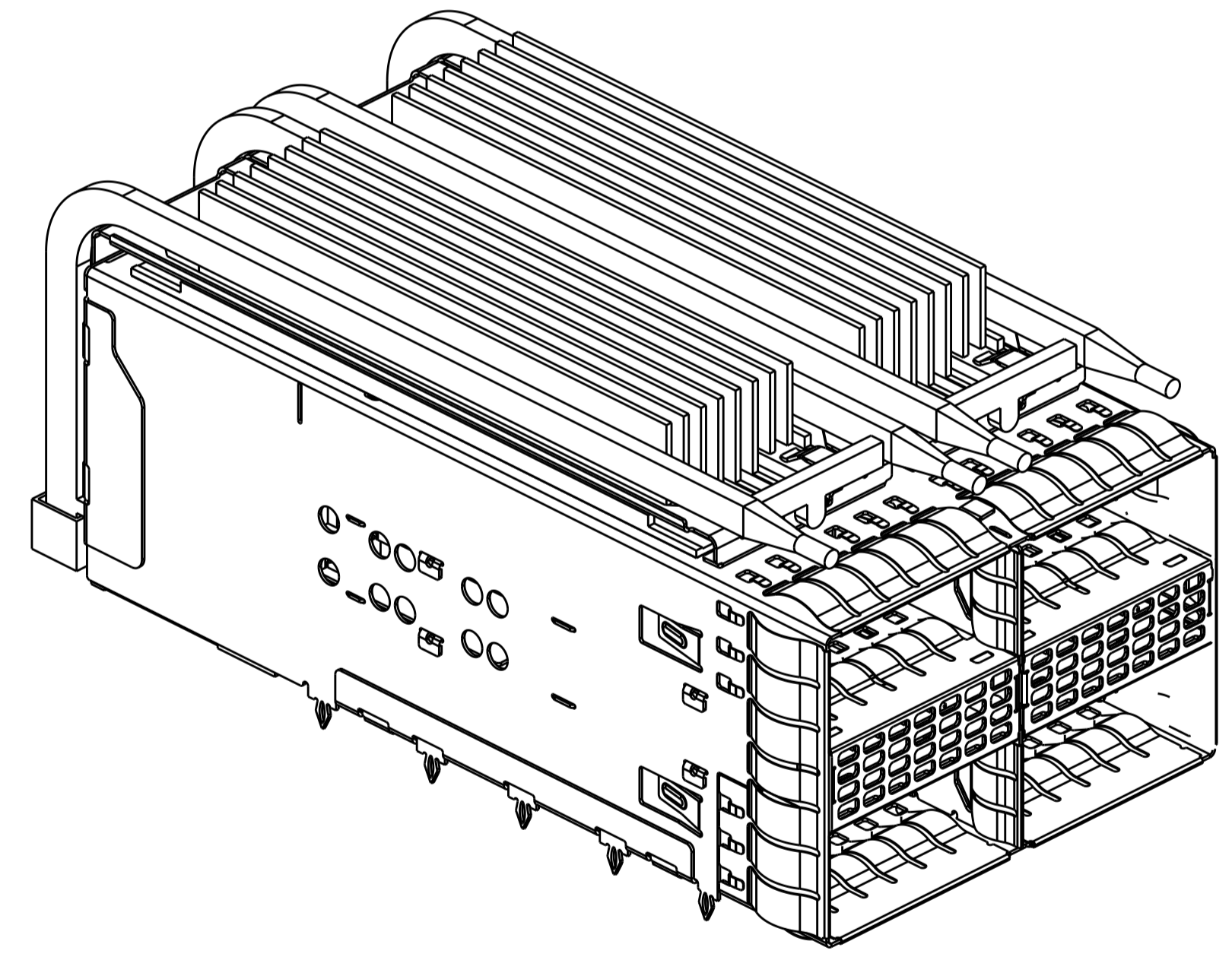
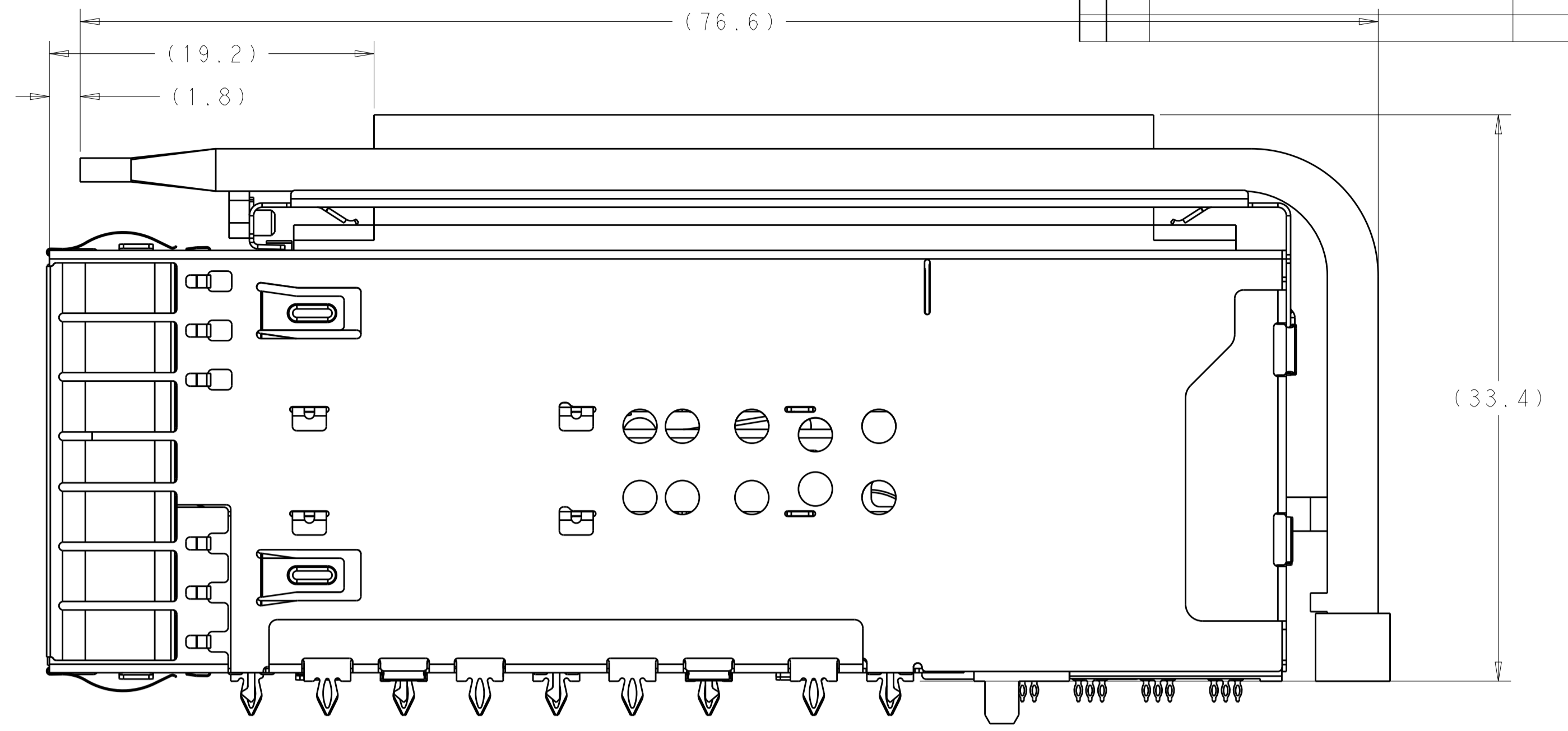
THIS DRAWING IS A CONTROLLED DOCUMENT.		DWN	TIM XUE	17AUG2016	 TE Connectivity
		CHK	SEAN HAN	17AUG2016	
		APVD	SEAN HAN	17AUG2016	
DIMENSIONS:		TOLERANCES UNLESS OTHERWISE SPECIFIED:		NAME	
mm	0 PLC ±	108-60102		zOSFP+ 2X2.4 INTERNAL LIGHT PIPES	
	1 PLC ±0.25	APPLICATION SPEC		WITH EMI SPRING FINGERS,	
	2 PLC ±0.20			BELLY TO BELLY APPLICATION	
	3 PLC ±	SIZE		CAGE CODE	
	4 PLC ±	114-60015		DRAWING NO	
	ANGLES ±	WEIGHT		RESTRICTED TO	
MATERIAL		FINISH		A100779C=2308171	
SEE NOTE 1		SEE NOTE 2		CUSTOMER DRAWING	
		SCALE		SHEET	
		4:1		3 OF 10	
				REV D1	

LOC	DIST	REVISIONS			
P	LTN	DESCRIPTION	DATE	DWN	APVD
GP	00	SEE SHEET 1			

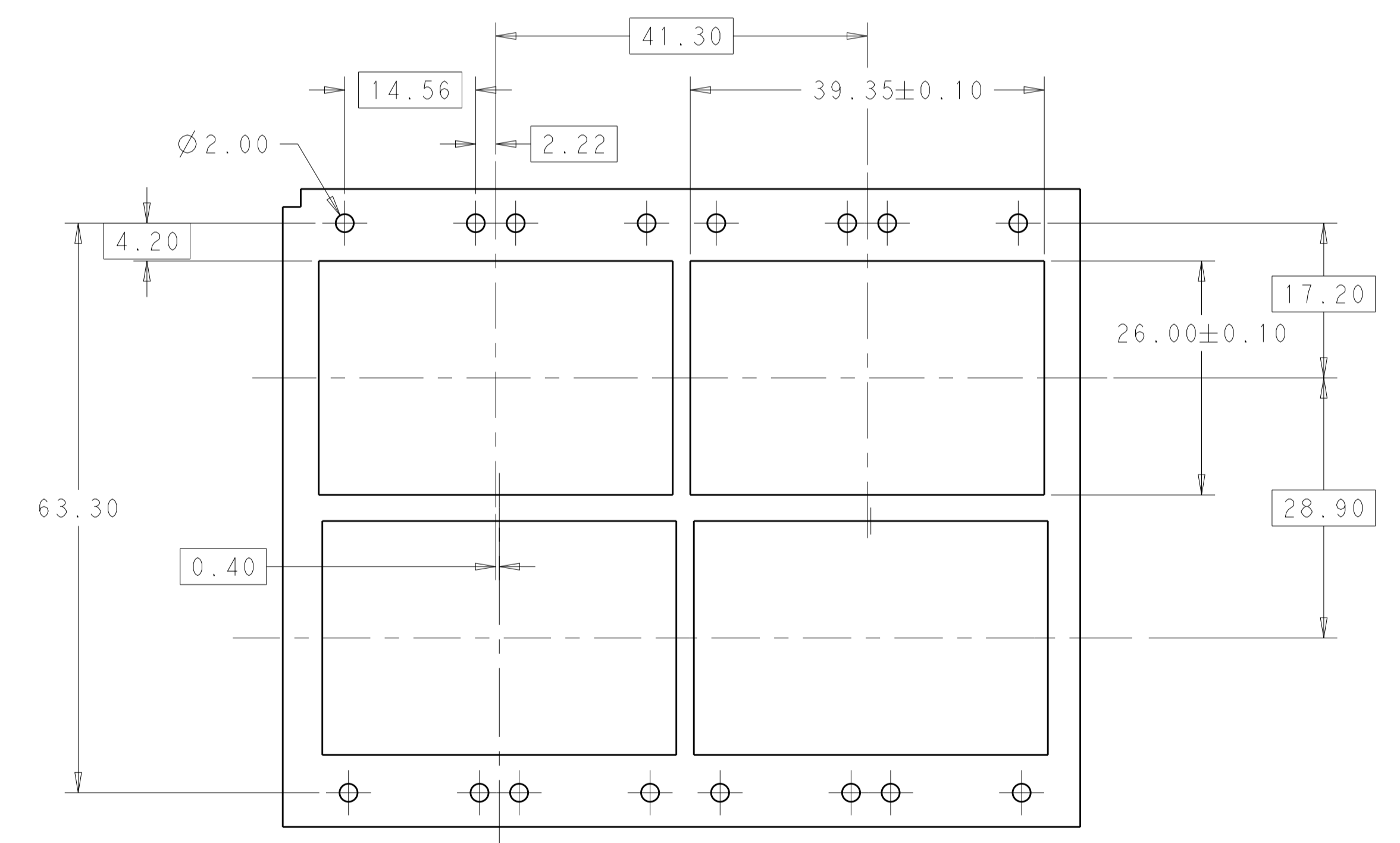
2-2308171-0 AS SHOWN



2-2308171-0
SCALE 4:1



SCALE 5:2



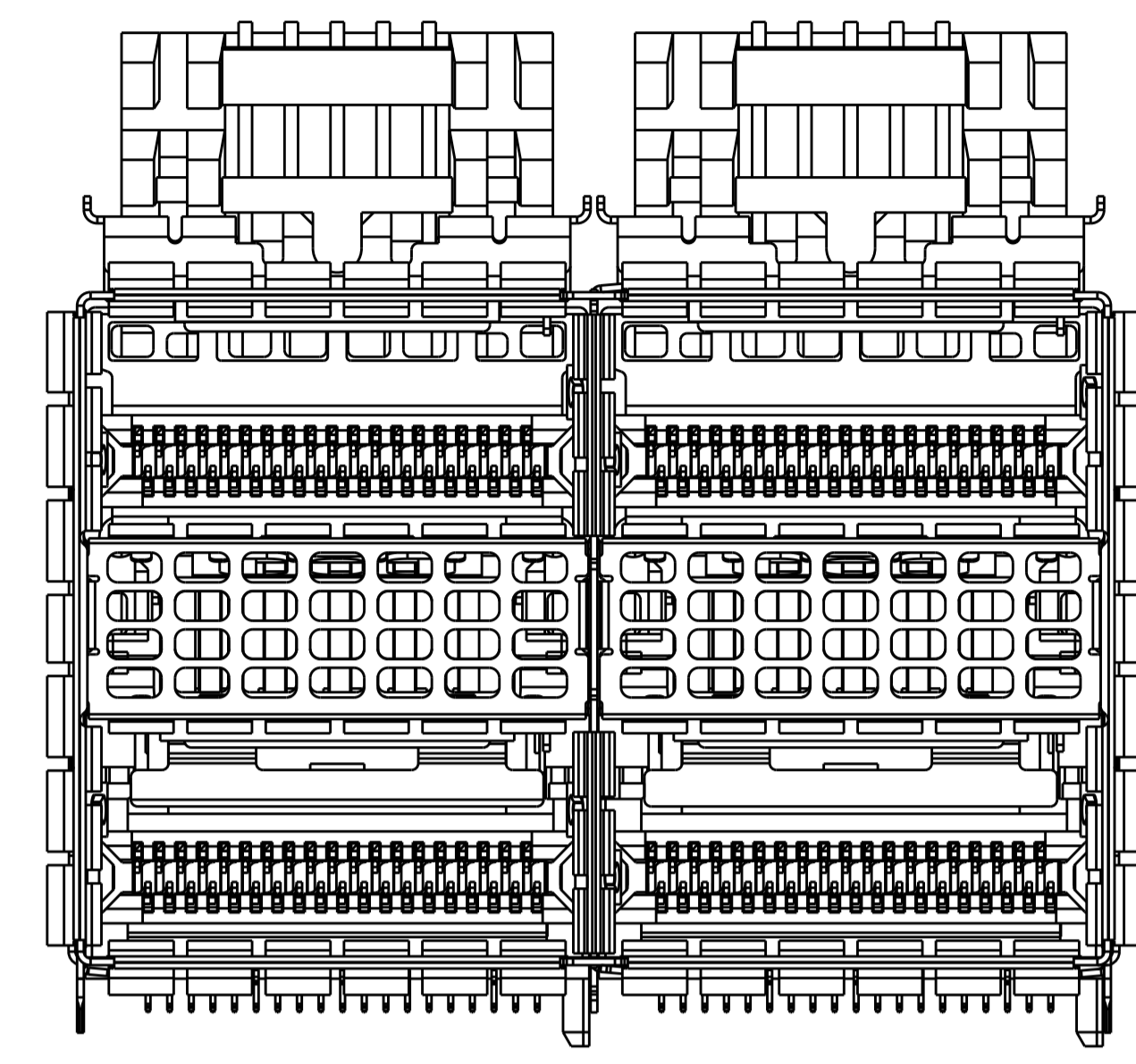
2-2308171-0 PANEL
SCALE 2:1

THIS DRAWING IS A CONTROLLED DOCUMENT.		DWN TIM XUE 17AUG2016	TE Connectivity
DIMENSIONS: mm		CHK SEAN HAN 17AUG2016	
TOLERANCES UNLESS OTHERWISE SPECIFIED:		APVD SEAN HAN 17AUG2016	NAME zOSFP+ 2X2.4 INTERNAL LIGHT PIPES WITH EMI SPRING FINGERS, BELLY TO BELLY APPLICATION
0 PLC ±	1 PLC ±0.25	PRODUCT SPEC	SIZE 108-60102
2 PLC ±0.20	3 PLC ±	APPLICATION SPEC	RESTRICTED TO
4 PLC ±	ANGLES ±	114-60015	A100779C=2308171
MATERIAL SEE NOTE 1	FINISH SEE NOTE 2	WEIGHT	CUSTOMER DRAWING
		SCALE 4:1	SHEET 4 OF 10

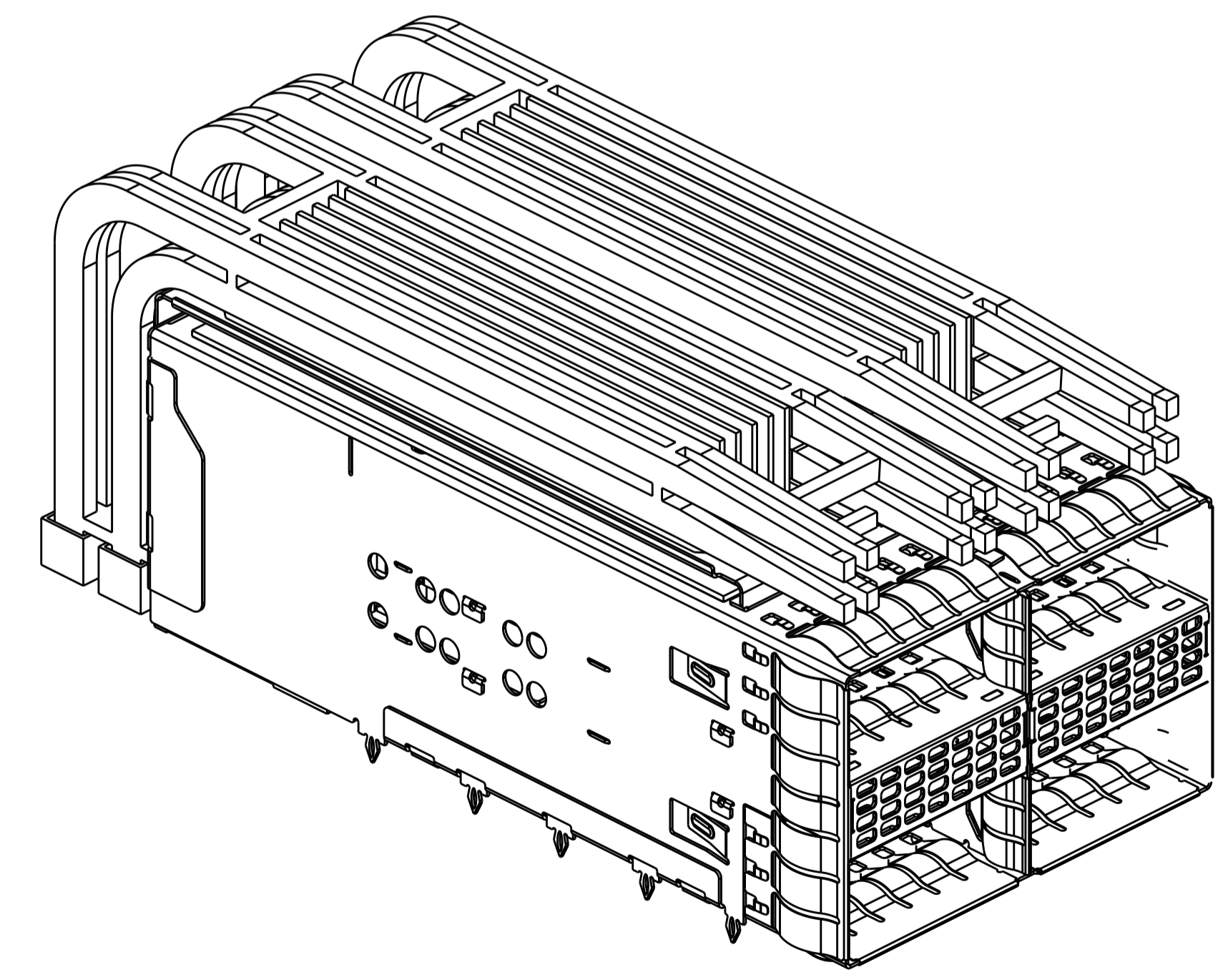
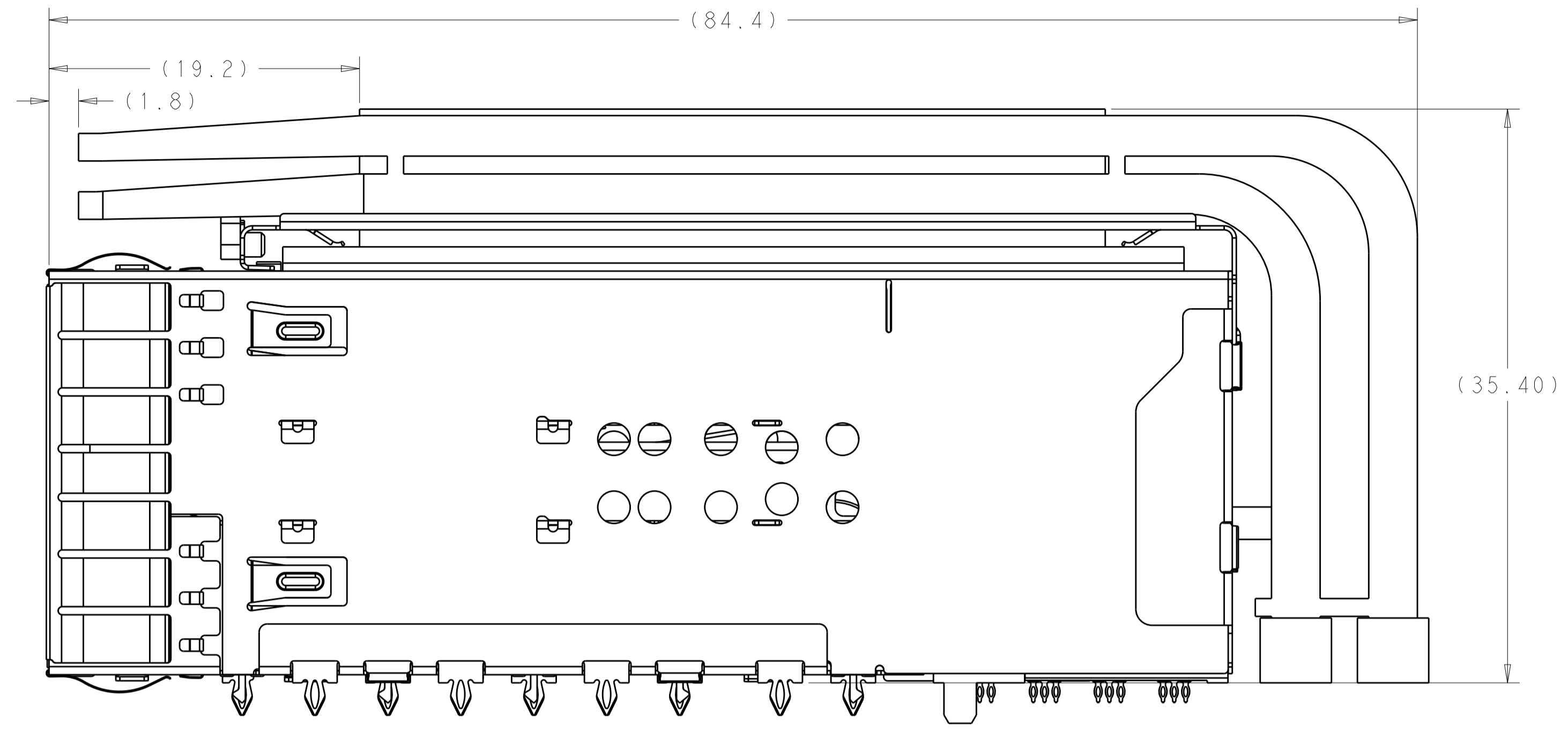
LOC	DIST	REV	DATE	BY	APPV
GP	00				

REVISIONS			
NO.	DESCRIPTION	DATE	BY
-	SEE SHEET 1	-	-

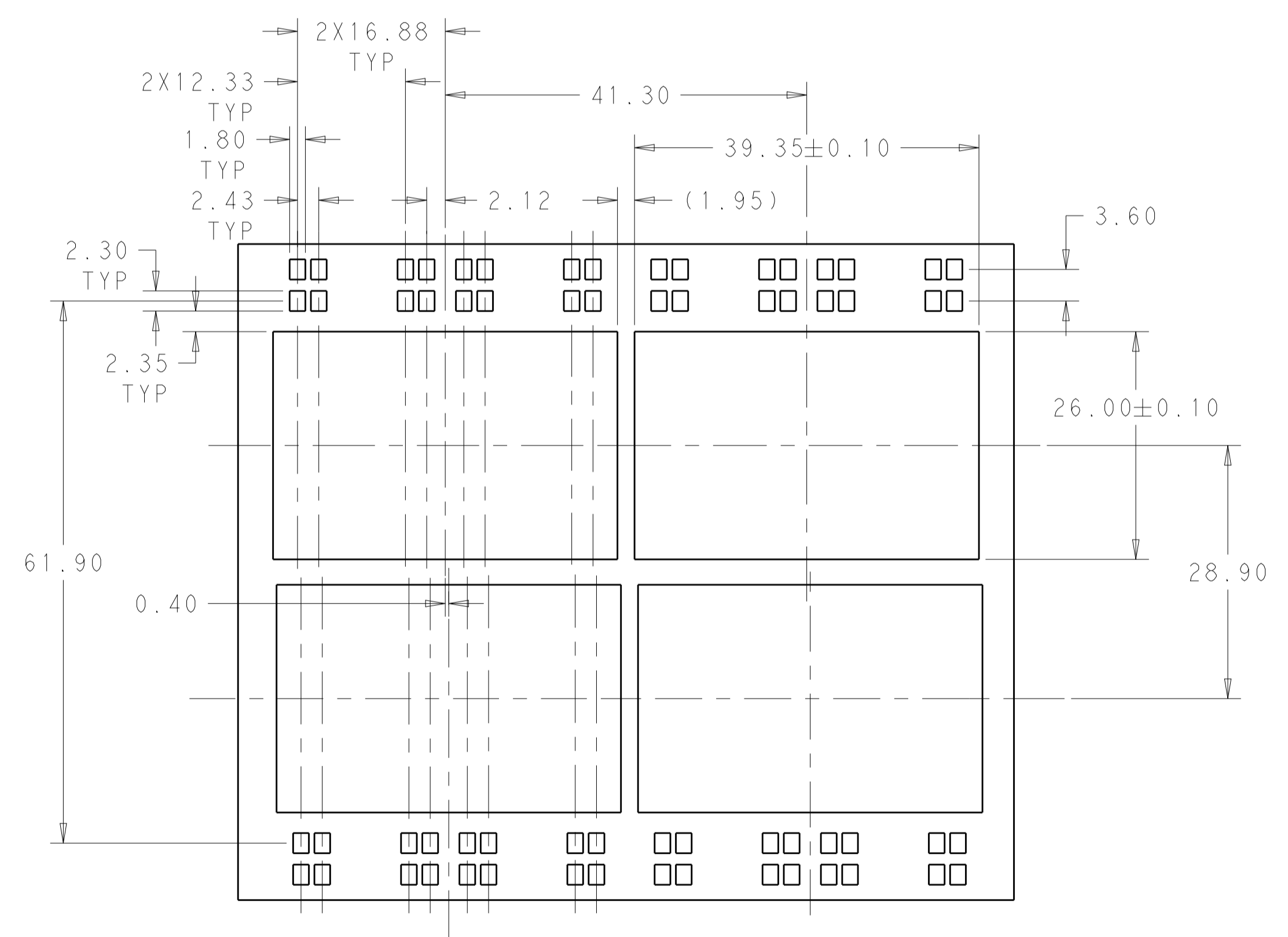
2-2308171-1 AS SHOWN



2-2308171-1
SCALE 4:1



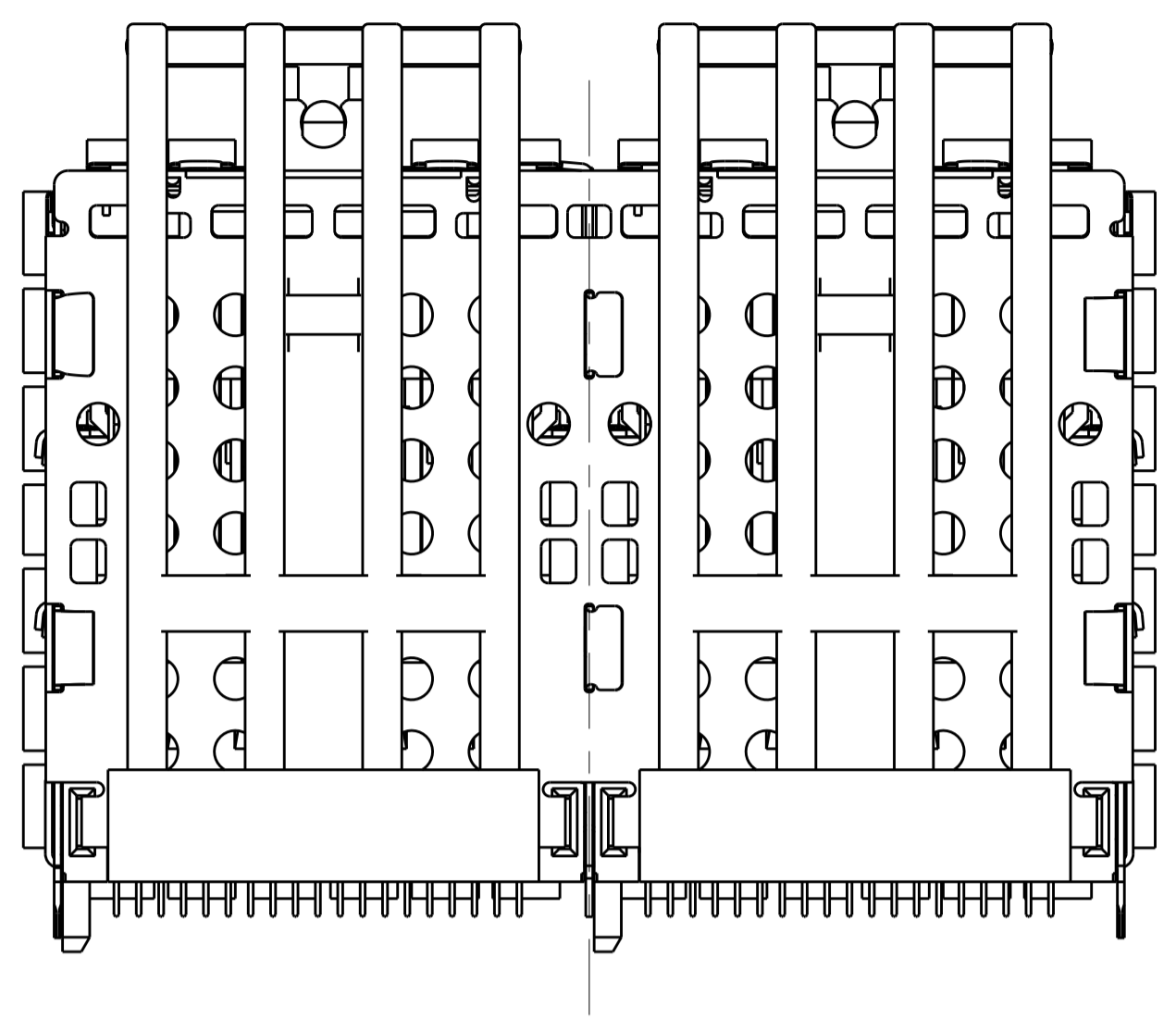
SCALE 5:2



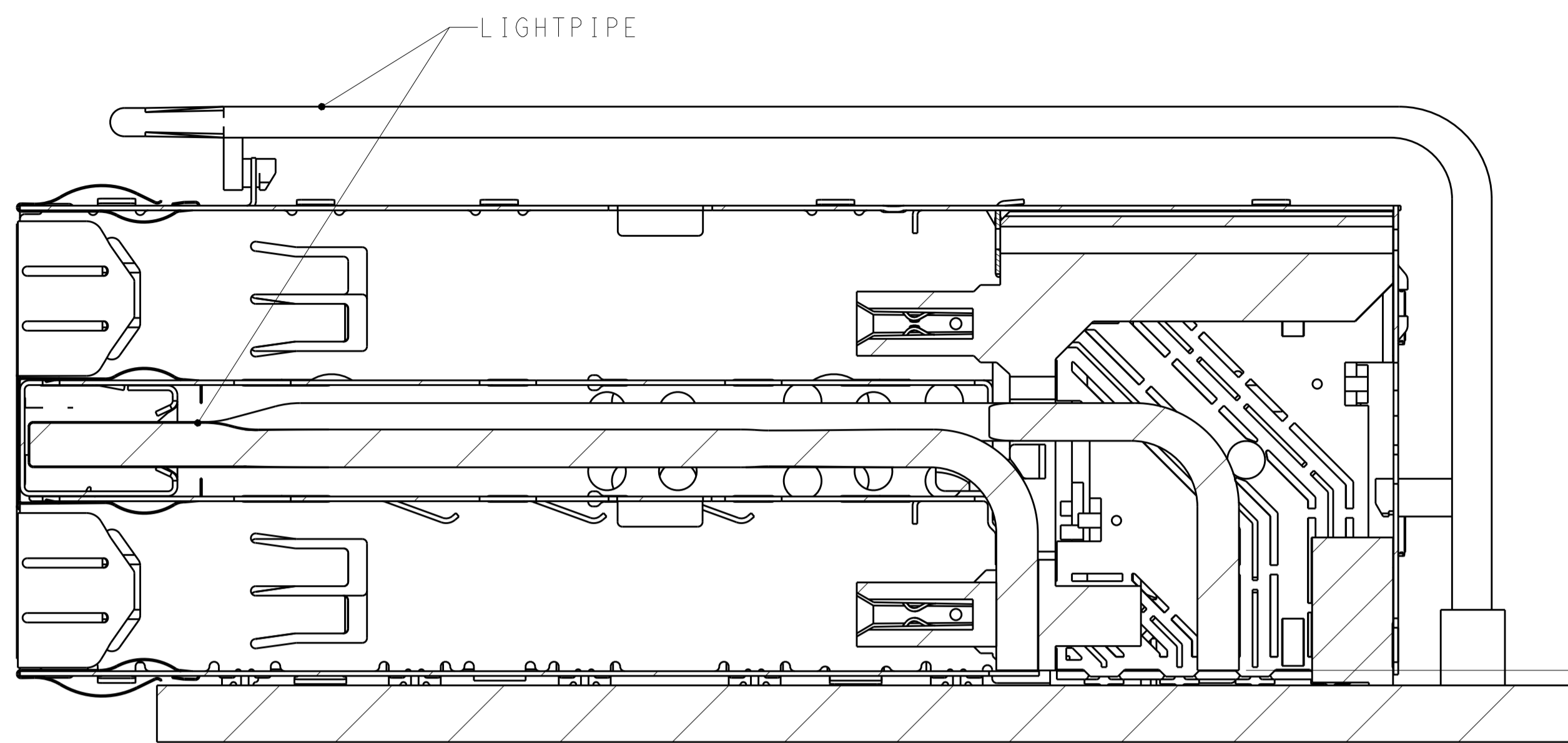
2-2308171-1 PANEL
SCALE 2:1

THIS DRAWING IS A CONTROLLED DOCUMENT.		OWN: TIM XUE 17AUG2016	TE Connectivity
DIMENSIONS: mm		CHK: SEAN HAN 17AUG2016	
TOLERANCES UNLESS OTHERWISE SPECIFIED:		APPV: SEAN HAN 17AUG2016	
0 PLC ± 1 PLC ±0.25 2 PLC ±0.20 3 PLC ± 4 PLC ± ANGLES ± FINISH ±		NAME: zOSFP+ 2X2.4 INTERNAL LIGHT PIPES WITH EMI SPRING FINGERS, BELLY TO BELLY APPLICATION	
MATERIAL: SEE NOTE 1	FINISH: SEE NOTE 2	PRODUCT SPEC: 108-60102	RESTRICTED TO: -
CUSTOMER DRAWING		APPLICATION SPEC: 114-60015	SIZE: A1
		WEIGHT: -	CAGE CODE: 100779
		SCALE: 4:1	DRAWING NO: 2308171
		SHEET: 5 OF 10	REV: D1

LOC	DIST	REVISIONS					
GP	00	P	LTN	DESCRIPTION	DATE	DWN	APVD
		-		SEE SHEET 1	-	-	-

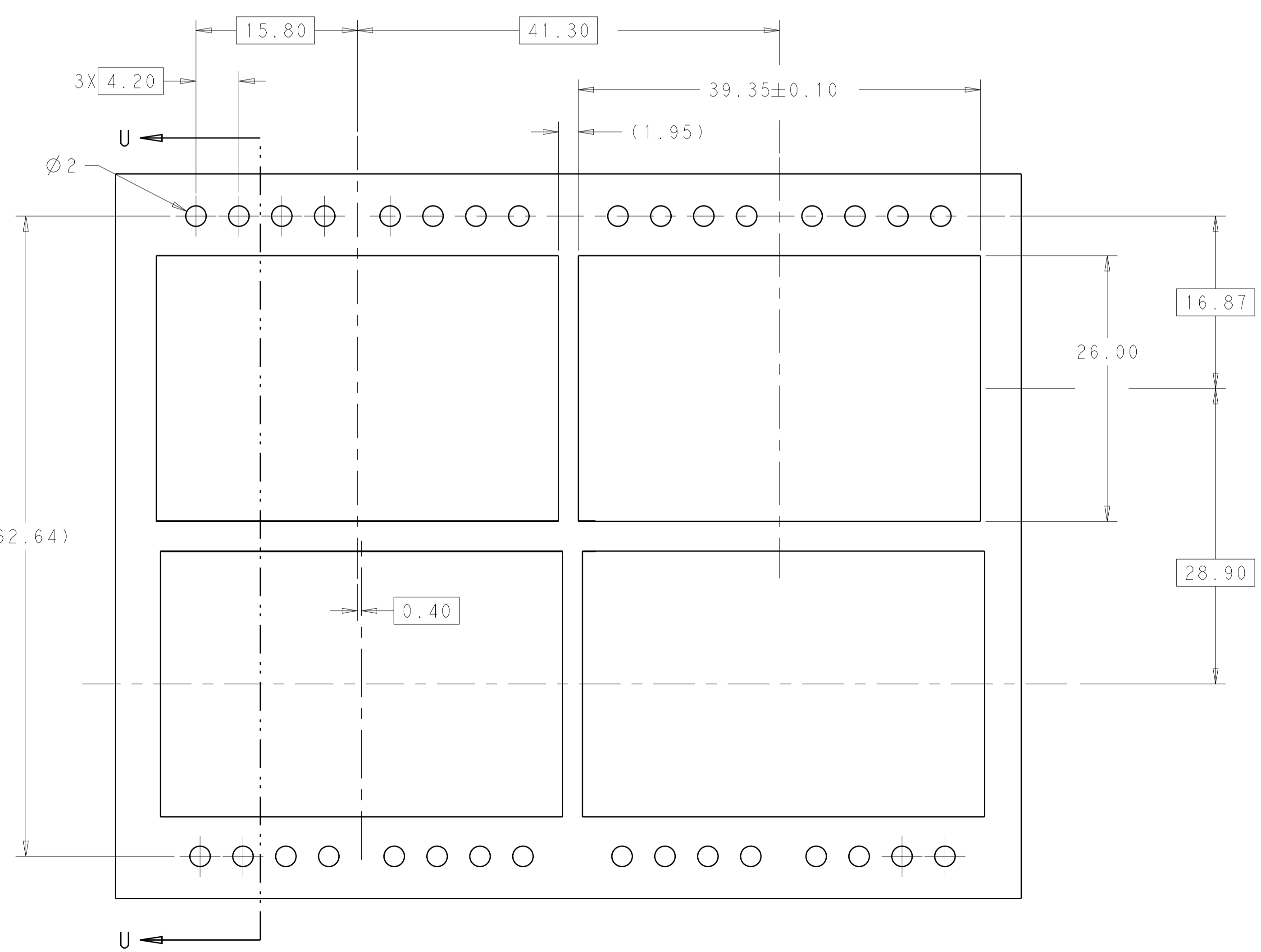


VIEW Y-Y

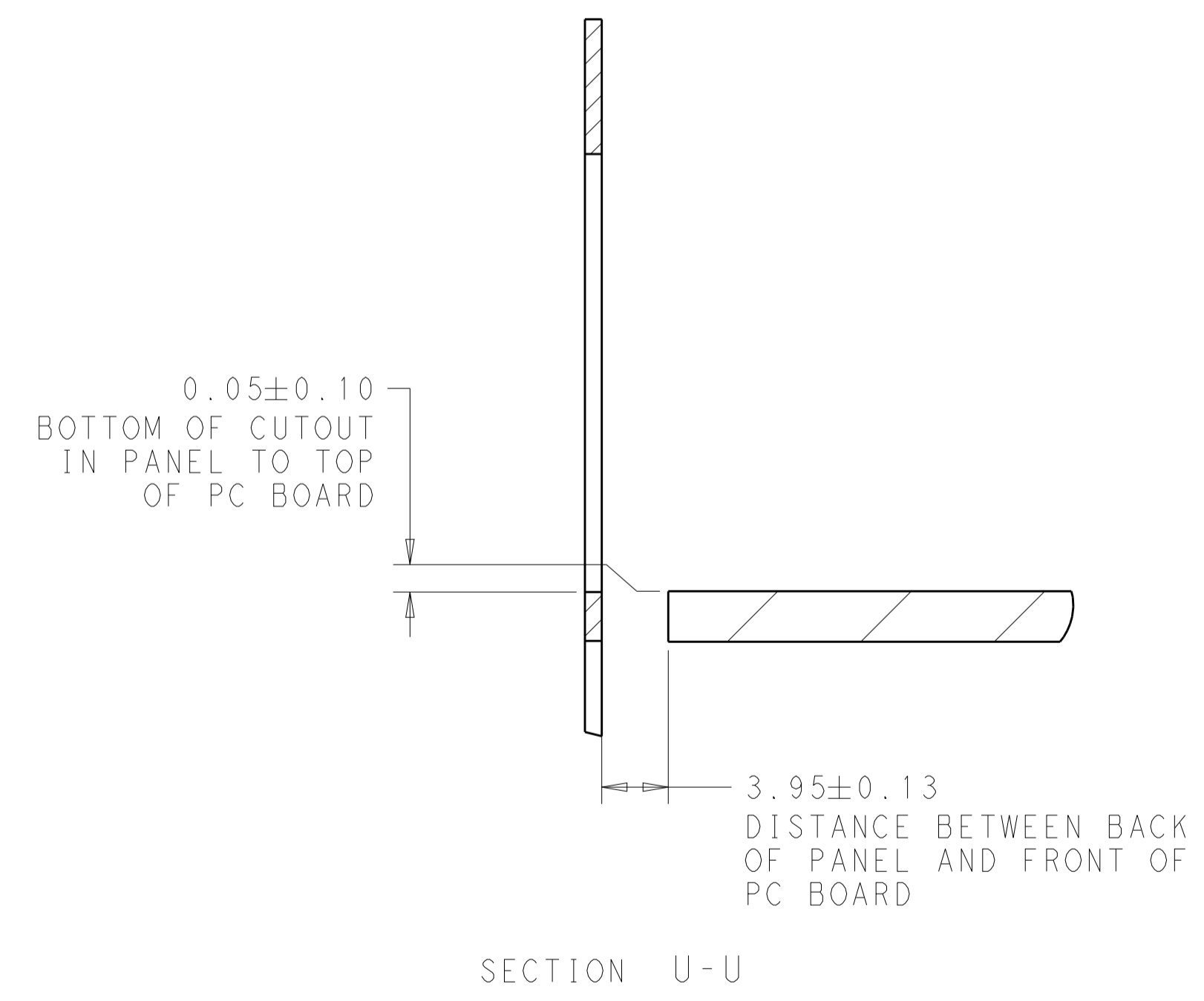


SECTION V-V
SCALE 4:1

(0.80)
RECOMMENDED 0805
PACKAGE SMD CHIP
LED LAMPS



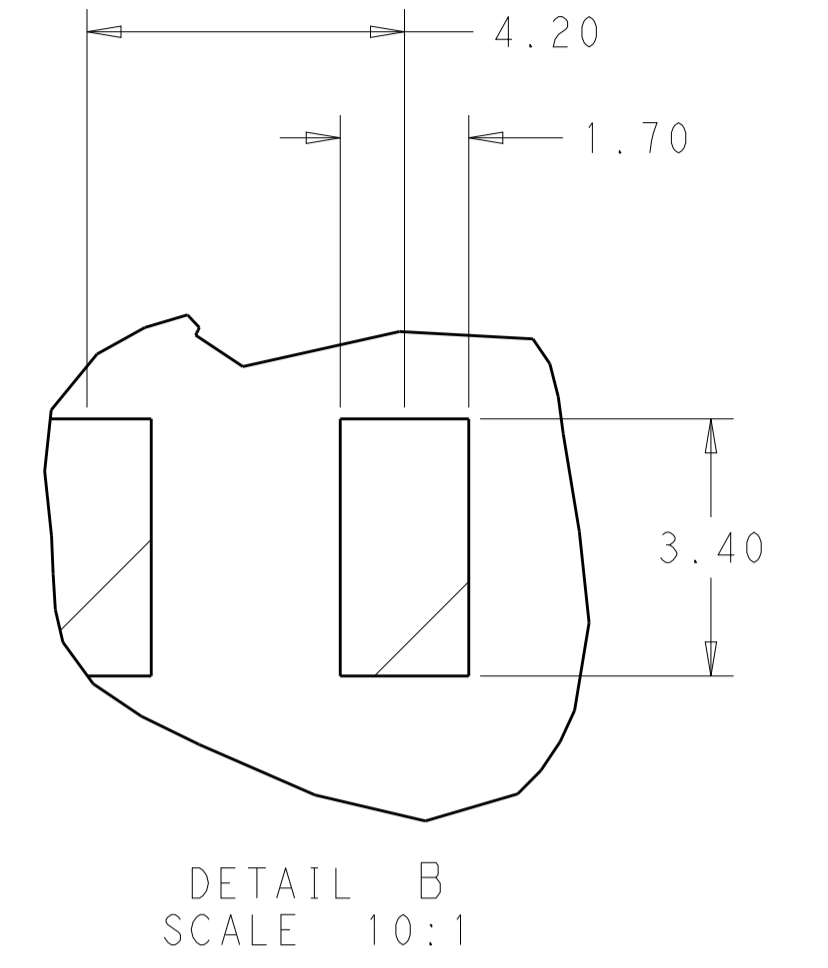
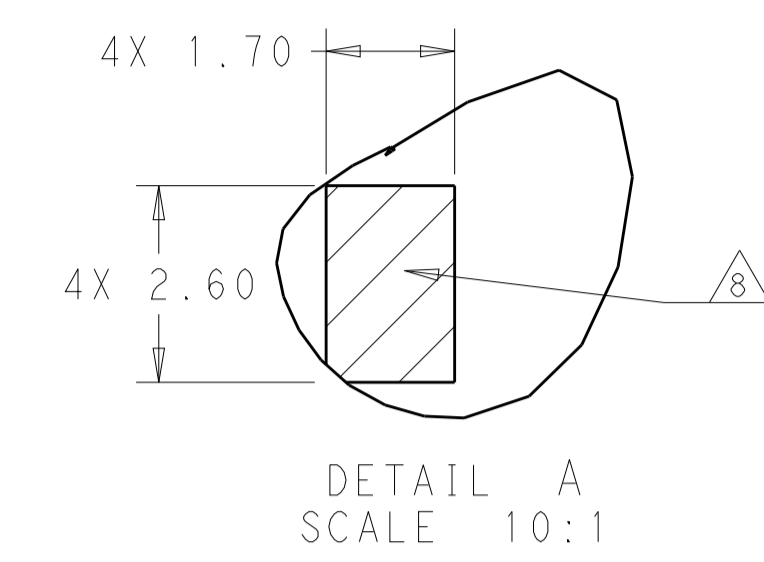
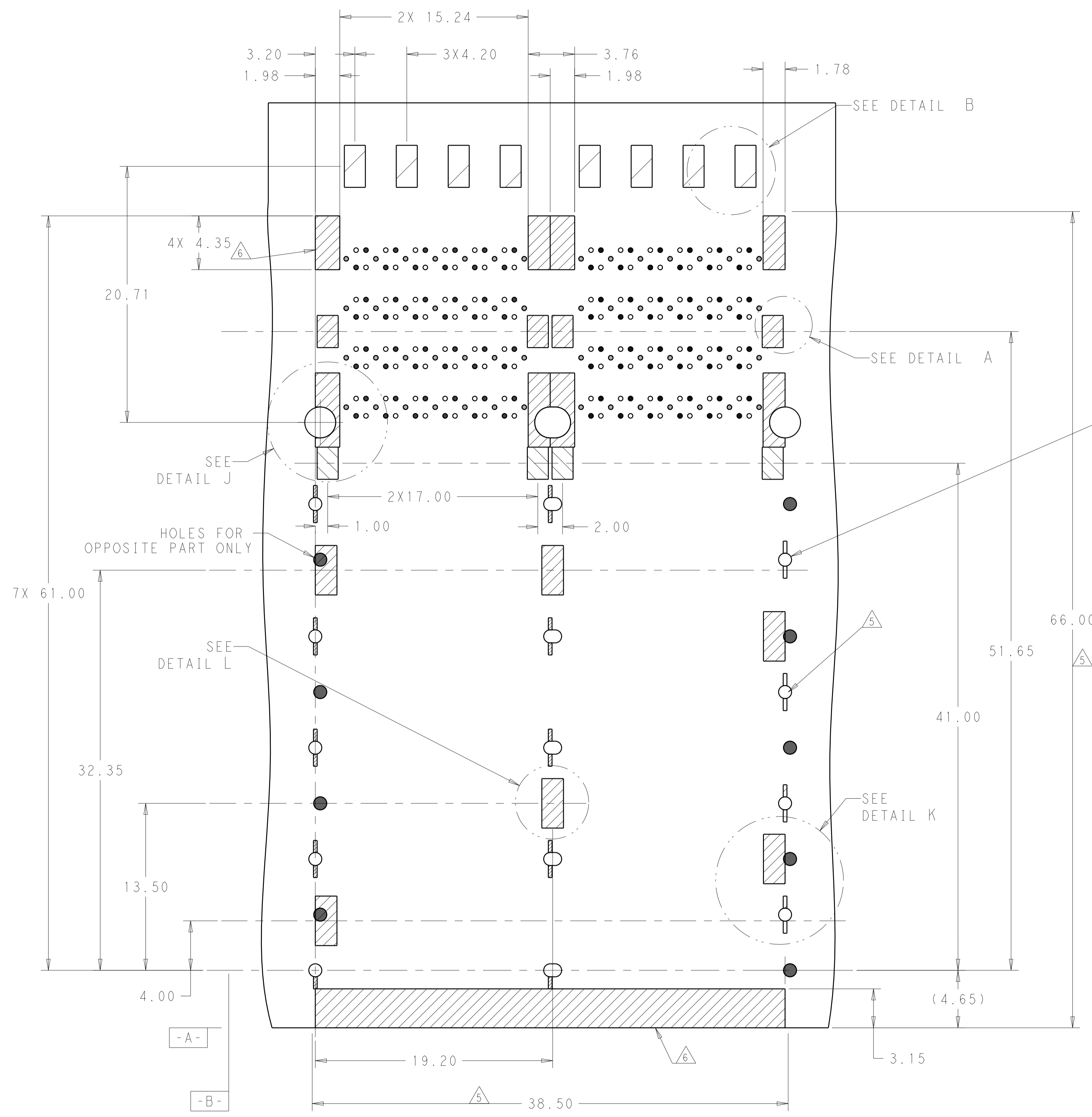
RECOMMENDED PANEL CUTOUT
AND PC BOARD, PANEL POSITION
SCALE 3:1



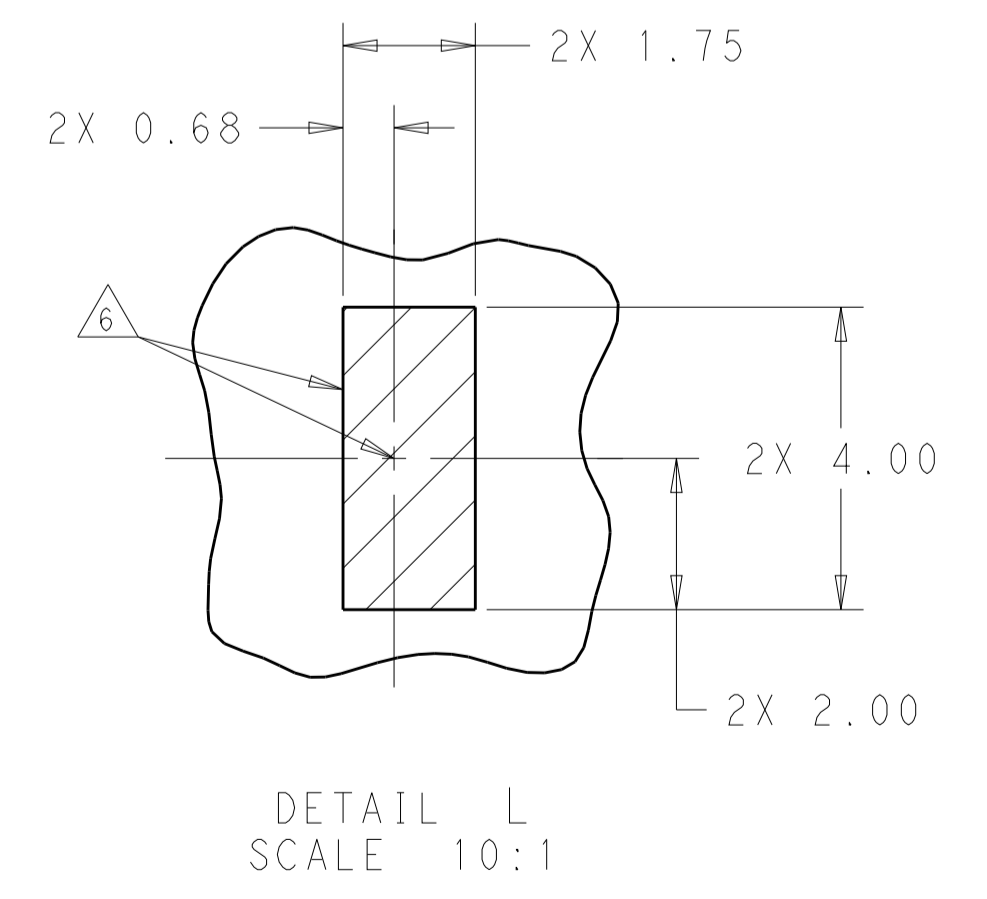
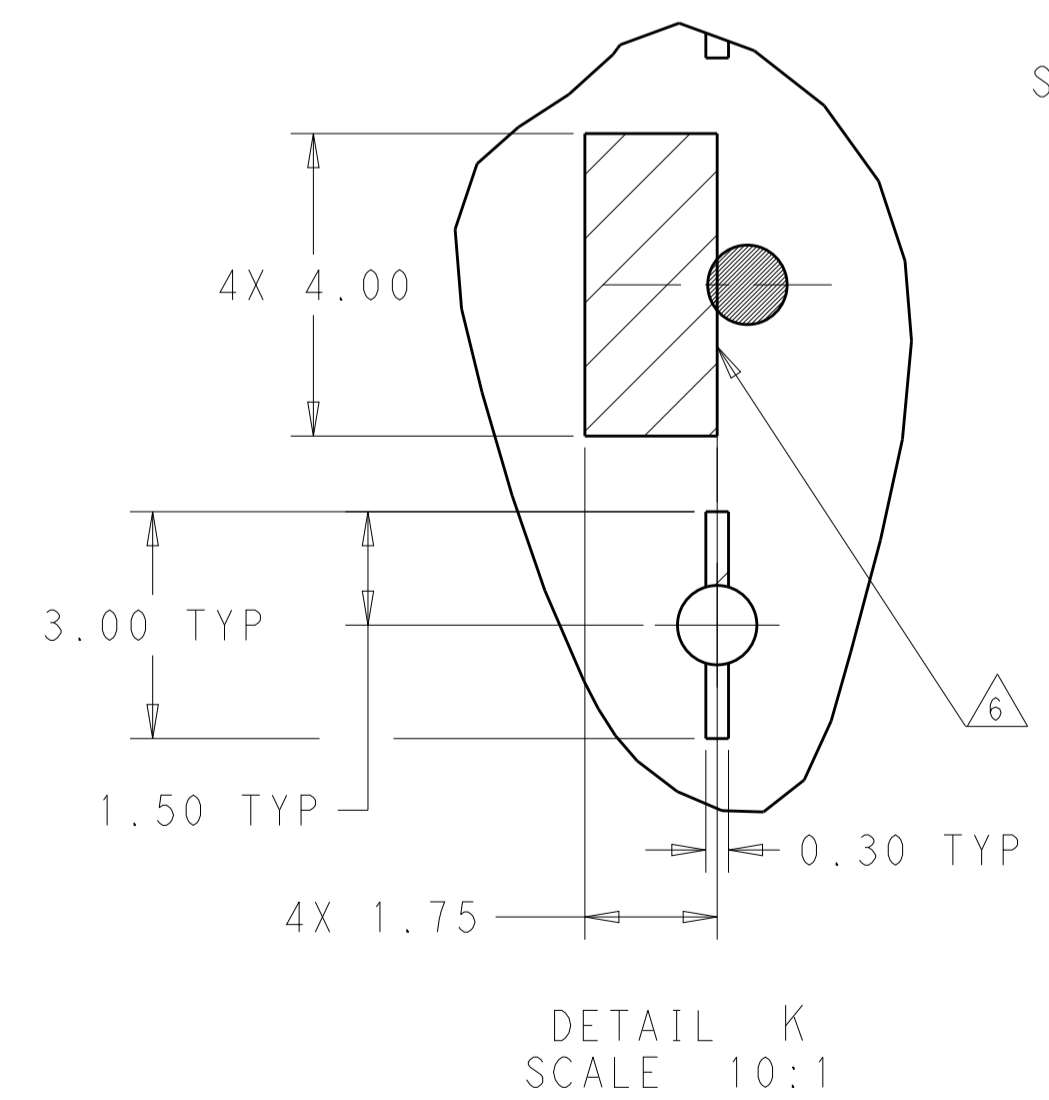
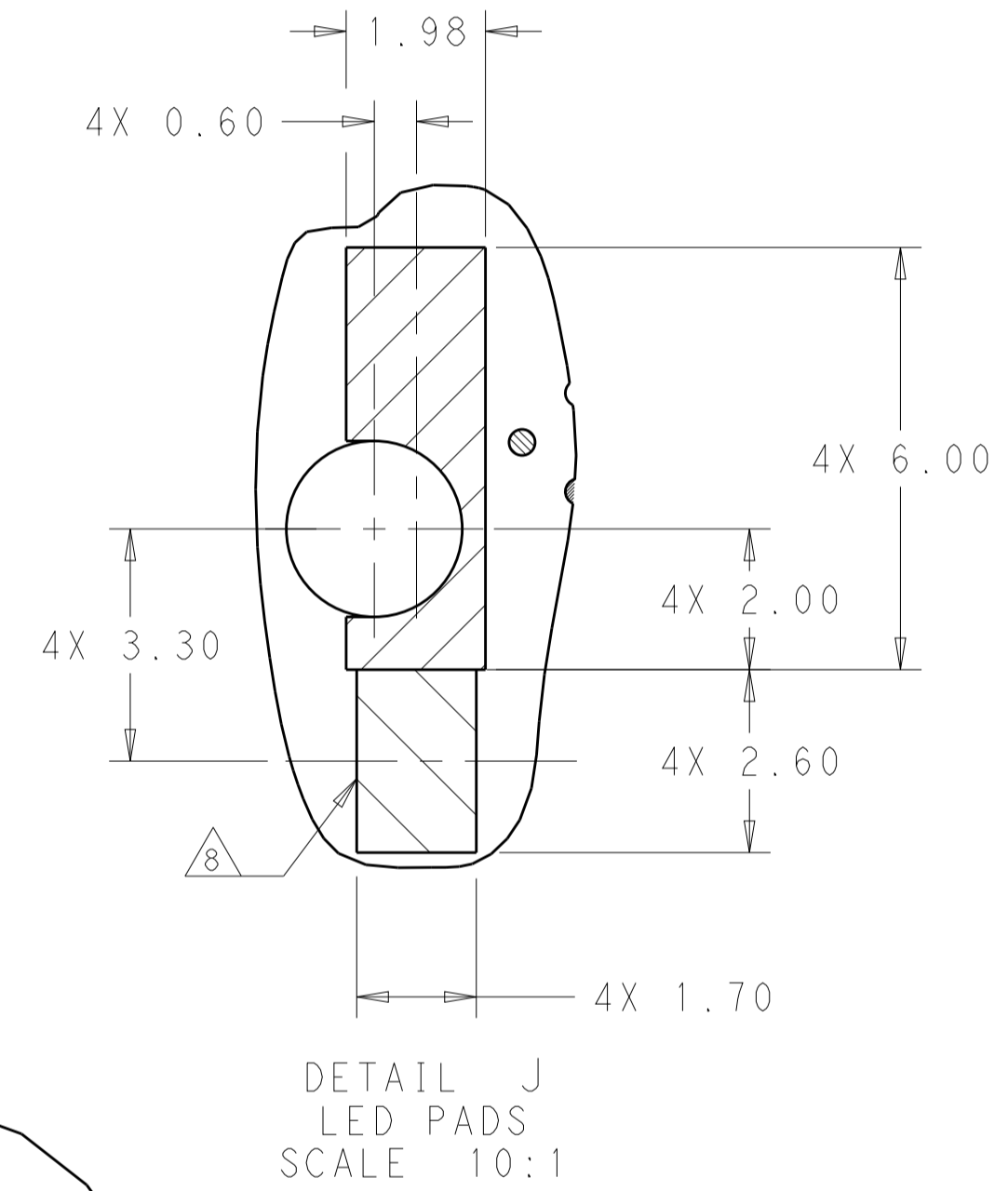
SECTION U-U

THIS DRAWING IS A CONTROLLED DOCUMENT.		DWN	TIM XUE	17AUG2016	TE Connectivity
DIMENSIONS:		CHK	SEAN HAN	17AUG2016	
mm		APP'D	SEAN HAN	17AUG2016	
0 PLC ± 1 PLC ±0.25 2 PLC ±0.20 3 PLC ± 4 PLC ± ANGLES ± FINISH ±		TOLERANCES UNLESS OTHERWISE SPECIFIED:		NAME	
MATERIAL		108-60102		PRODUCT SPEC	zOSFP+ 2X2.4 INTERNAL LIGHT PIPES WITH EMI SPRING FINGERS, BELLY TO BELLY APPLICATION
SEE NOTE 1		114-60015		APPLICATION SPEC	
SEE NOTE 2		114-60015		SIZE	CAGE CODE
CUSTOMER DRAWING		114-60015		WEIGHT	DRAWING NO
		A100779		RESTRICTED TO	
		C=2308171		SCALE	4:1
				SHEET	6 OF 10
				REV	D1

LOC	DIST	REVISIONS					
GP	00	P	LTH	DESCRIPTION	DATE	DWN	APVD
		-	-	SEE SHEET 1	-	-	-



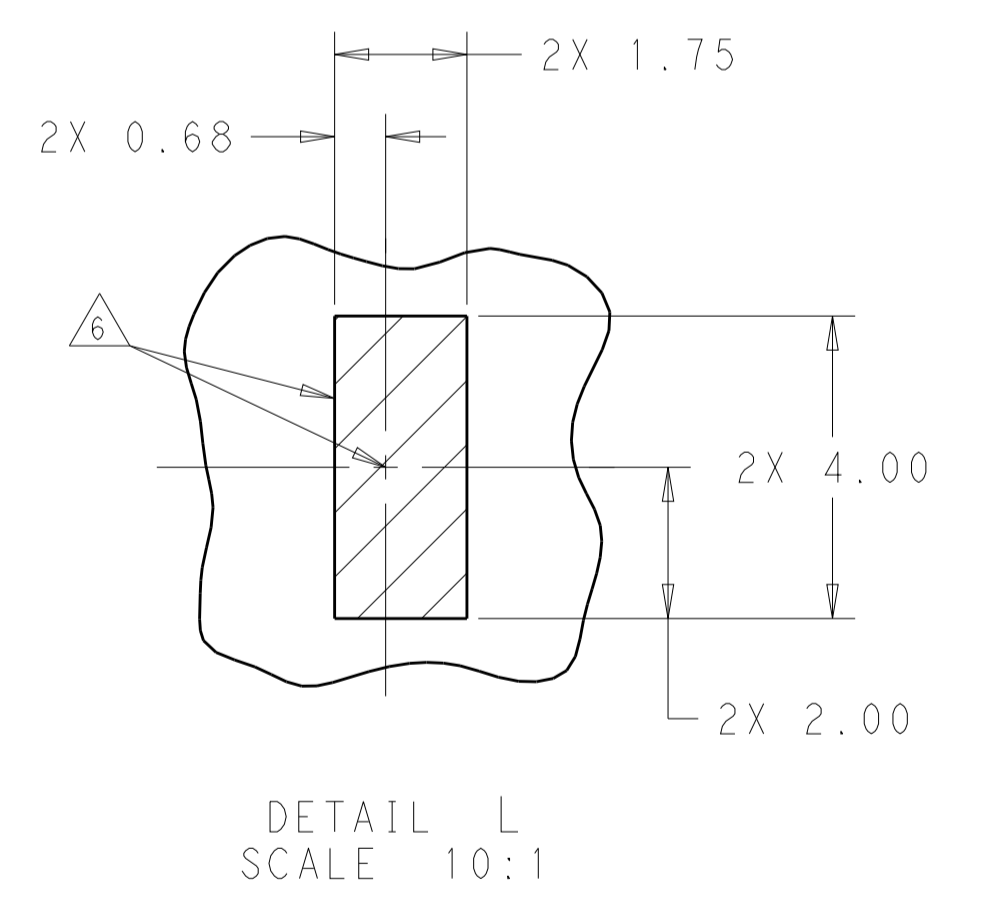
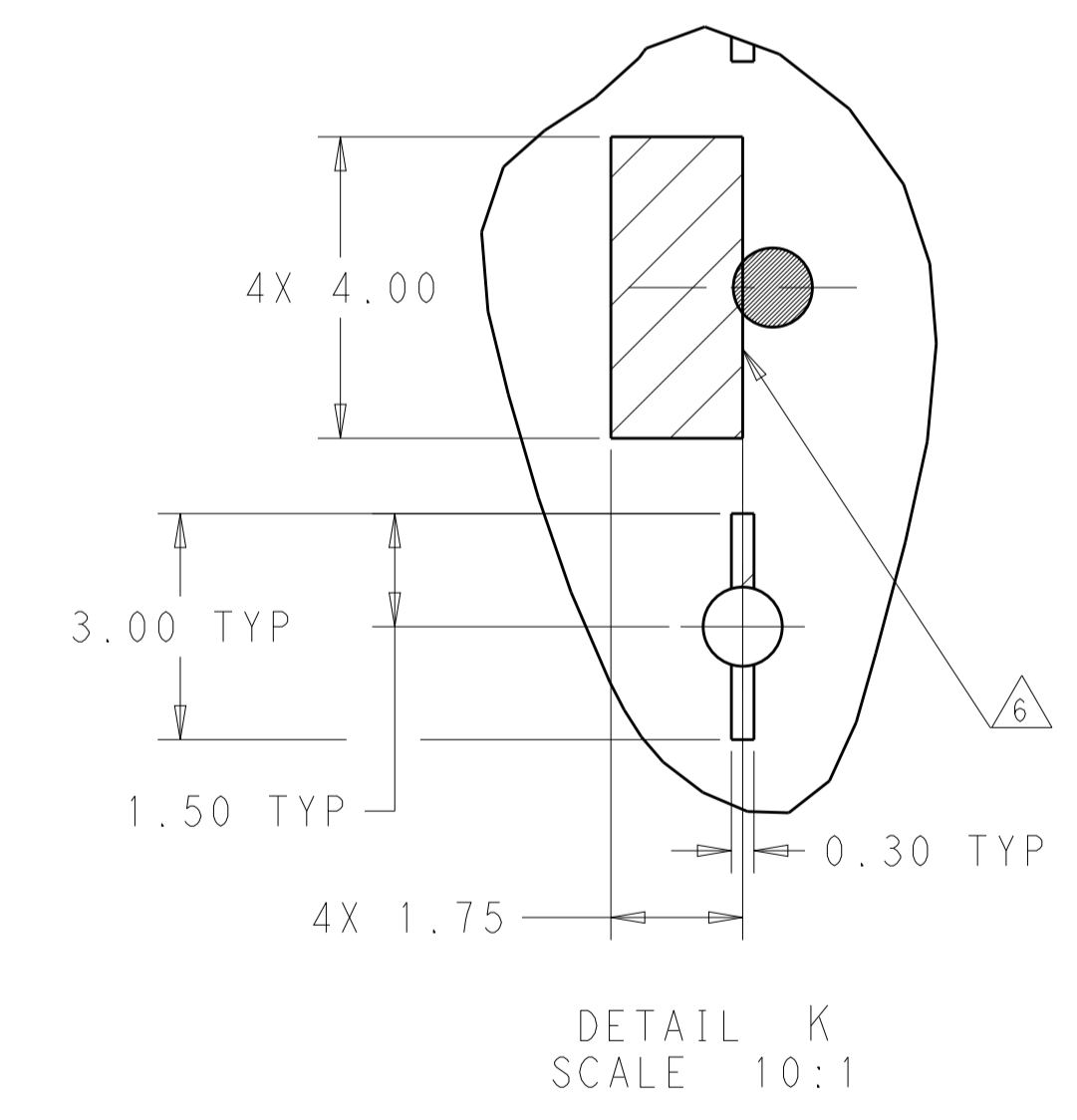
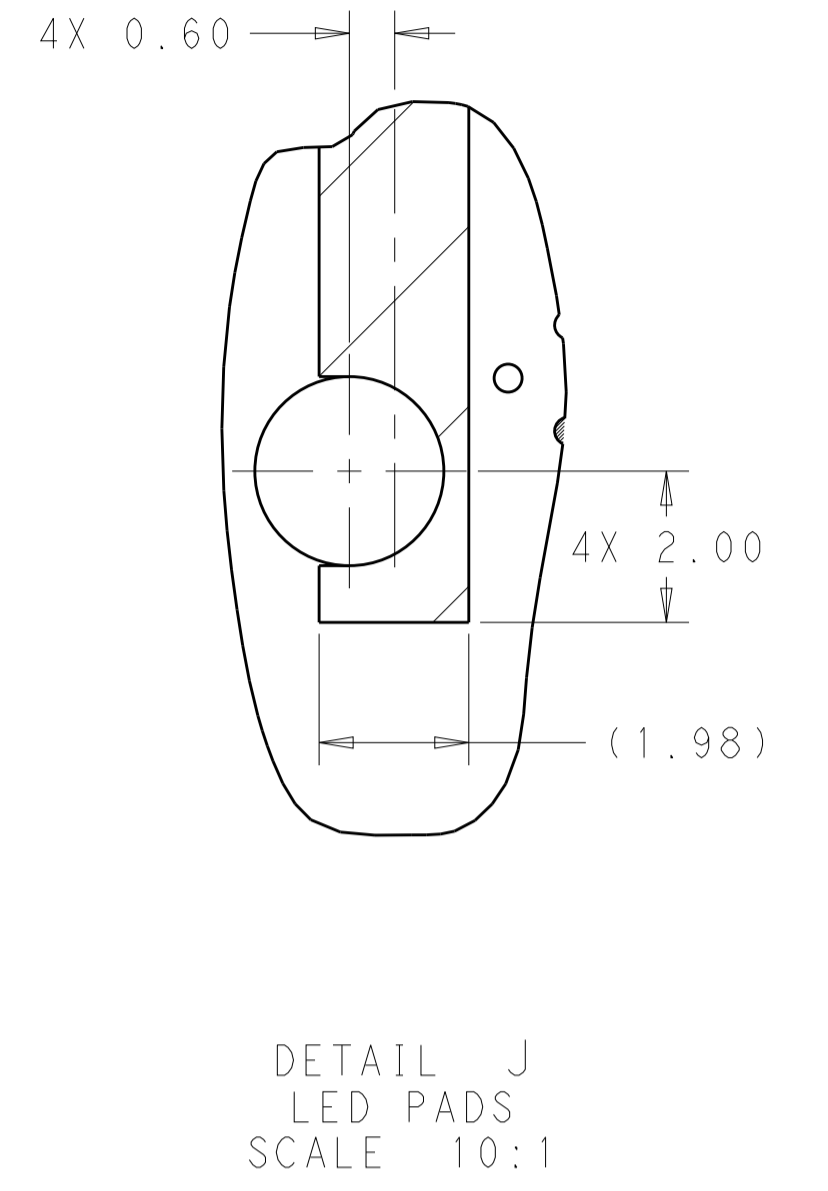
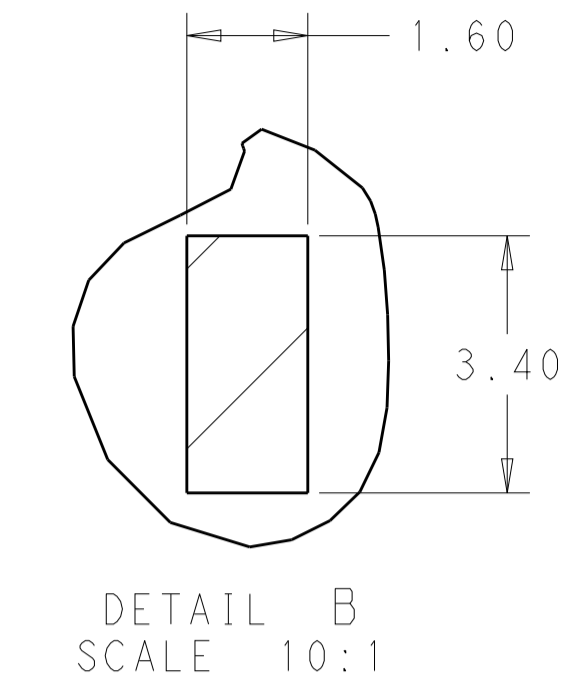
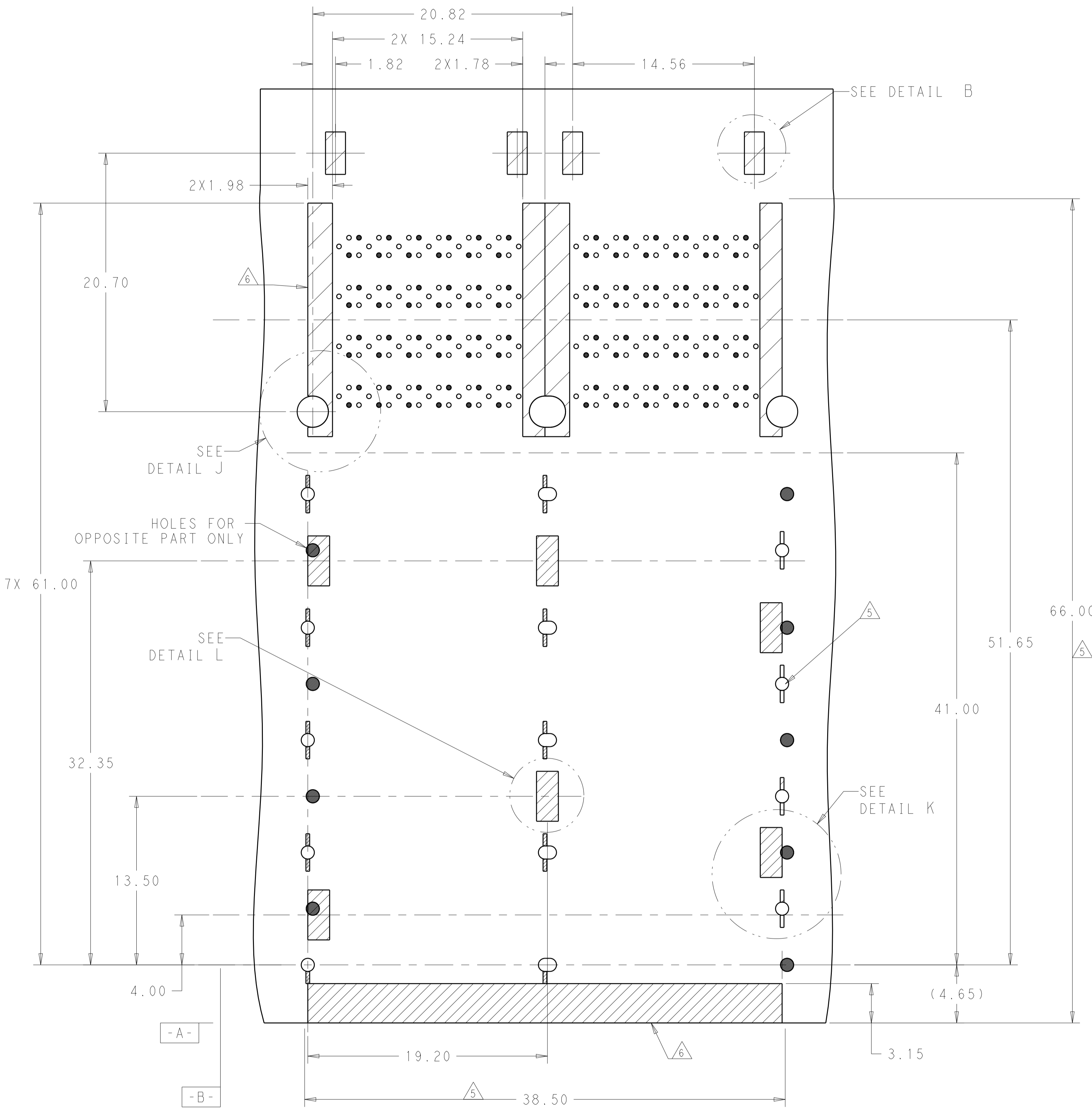
OPTIONAL TO REMOVE THIS HOLE FOR 1-2308171-0 AND 1-2308171-1



KEEPOUT AREAS
 TOP COMPONENT SIDE OF BOARD
 (PCB TOLERANCE ±0.05)
 SCALE 5:1

THIS DRAWING IS A CONTROLLED DOCUMENT.		DWN: TIM XUE 17AUG2016	TE Connectivity
DIMENSIONS: mm		CHK: SEAN HAN 17AUG2016	
TOLERANCES UNLESS OTHERWISE SPECIFIED:		APVD: SEAN HAN 17AUG2016	NAME: zQSFP+ 2X2.4 INTERNAL LIGHT PIPES WITH EMI SPRING FINGERS, BELLY TO BELLY APPLICATION
0 PLC ±0.25	1 PLC ±0.20	PRODUCT SPEC: 108-60102	SIZE: 114-60015
2 PLC ±0.20	3 PLC ±0.20	APPLICATION SPEC: 114-60015	WEIGHT: -
4 PLC ±0.20	5 PLC ±0.20	FINISH: -	CAGE CODE: A100779
6 PLC ±0.20	ANGLES ±0.20	SEE NOTE 1	CUSTOMER DRAWING
7 PLC ±0.20	8 PLC ±0.20	SEE NOTE 2	SCALE: 1:1
9 PLC ±0.20	10 PLC ±0.20		SHEET 8 OF 10
11 PLC ±0.20	12 PLC ±0.20		REV D1

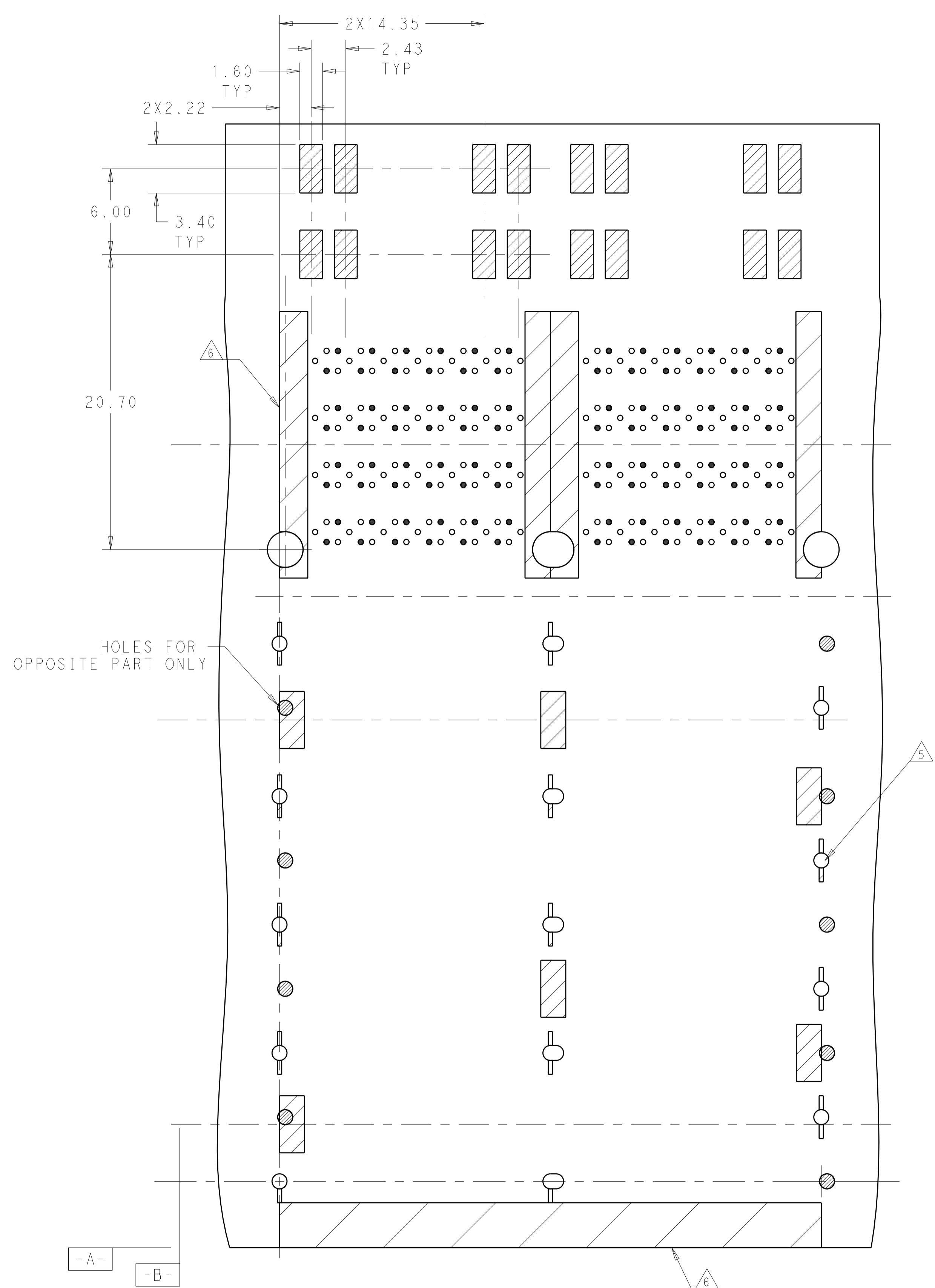
LOC	DIST	REVISIONS					
GP	00	P	LTN	DESCRIPTION	DATE	DMN	APVD
		-		SEE SHEET 1	-	-	-



KEEPOUT AREAS OF 2-2308171-0
 TOP COMPONENT SIDE OF BOARD
 (PCB TOLERANCE ±0.05)
 SCALE 5:1

THIS DRAWING IS A CONTROLLED DOCUMENT.		DMN	TIM XUE	17AUG2016	TE Connectivity NAME zQSFP+ 2X2.4 INTERNAL LIGHT PIPES WITH EMI SPRING FINGERS, BELLY TO BELLY APPLICATION PRODUCT SPEC 108-60102 APPLICATION SPEC 114-60015 SIZE CAGE CODE DRAWING NO. A100779C=2308171 RESTRICTED TO
DIMENSIONS:		CHK	SEAN HAN	17AUG2016	
mm		APVD	SEAN HAN	17AUG2016	
0 PLC ± 1 PLC ±0.25 2 PLC ±0.20 3 PLC ± 4 PLC ± ANGLES ±		MATERIAL		WEIGHT	
SEE NOTE 1		SEE NOTE 2		CUSTOMER DRAWING	SCALE 1:1 SHEET 9 OF 10 REV D1

LOC	DIST	REVISIONS			
P	LTN	DESCRIPTION	DATE	DWN	APVD
-	-	SEE SHEET 1	-	-	-



KEEPOUT AREAS OF 2-2308171-1
 TOP COMPONENT SIDE OF BOARD
 UNSPECIFIED SPEC, REFER TO
 2-2308171-0 PCB LAYOUT
 (PCB TOLERANCE ±0.05)
 SCALE 5:1

THIS DRAWING IS A CONTROLLED DOCUMENT.		DWN	TIM XUE	17AUG2016	TE Connectivity
DIMENSIONS:		CHK	SEAN HAN	17AUG2016	
mm	TOLERANCES UNLESS OTHERWISE SPECIFIED:	APVD	SEAN HAN	17AUG2016	NAME
0 PLC	±	PRODUCT SPEC		zOSFP+ 2X2.4 INTERNAL LIGHT PIPES	
1 PLC	±0.25	APPLICATION SPEC		WITH EMI SPRING FINGERS,	
2 PLC	±0.20	SIZE		BELLY TO BELLY APPLICATION	
3 PLC	±	CAGE CODE		114-60015	
4 PLC	±	DRAWING NO		A100779C=2308171	
ANGLES	±	RESTRICTED TO		-	
MATERIAL	FINISH	WEIGHT		-	
SEE NOTE 1	SEE NOTE 2	CUSTOMER DRAWING		SCALE	1:1
				SHEET	10 OF 10
				REV	D1

X-ON Electronics

Largest Supplier of Electrical and Electronic Components

Click to view similar products for [I/O Connectors](#) category:

Click to view products by [TE Connectivity](#) manufacturer:

Other Similar products are found below :

[571763P](#) [58098-0628](#) [72.250.1628.2](#) [72.250.2428.2](#) [74720-0505](#) [76.350.0729.0](#) [76871-1403](#) [FCN-244F080-G/1](#) [FCN-260A9920](#) [PCR-E36PM](#) [PCS-XE26MA+](#) [G38A71314B](#) [1571250010](#) [157-22500-3](#) [MS3471L14-19P L/C](#) [172501-4002](#) [172501-6002](#) [FCN-260C008-A/L0](#) [FCN-260C024-AL0](#) [FCN-261Z008](#) [2000314-1](#) [200331-1](#) [PCR-E36FC+](#) [PCS-E28FS+](#) [PCS-XE26SLFD+](#) [PCS-XE26SLFDT+](#) [G730VID08BDC24](#) [U90B2054081210](#) [38113800006](#) [DP3AR020WQ1R200](#) [Z4.102.0680.0](#) [500-1040](#) [500-1052](#) [500-1054](#) [ZP-4008-66L](#) [0709821002](#) [DX40-20P\(55\)](#) [5554841-1](#) [MS3474W18-8P-LC*](#) [U90B3054061110](#) [U65-E04-4020](#) [ZPF000000000097891](#) [747360449](#) [10099439-003C-TRLF](#) [10137239-0021LF](#) [E9320-001-01](#) [10137239-0011LF](#) [70289-001LF](#) [70.060.1028.0](#) [109029-ZZ](#)