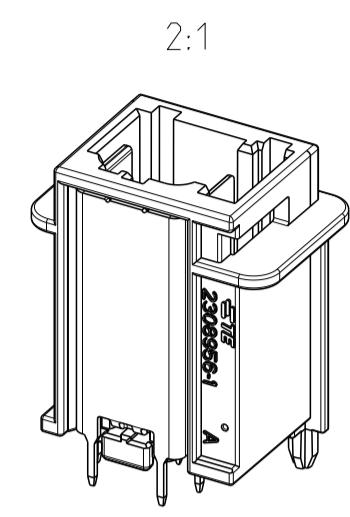
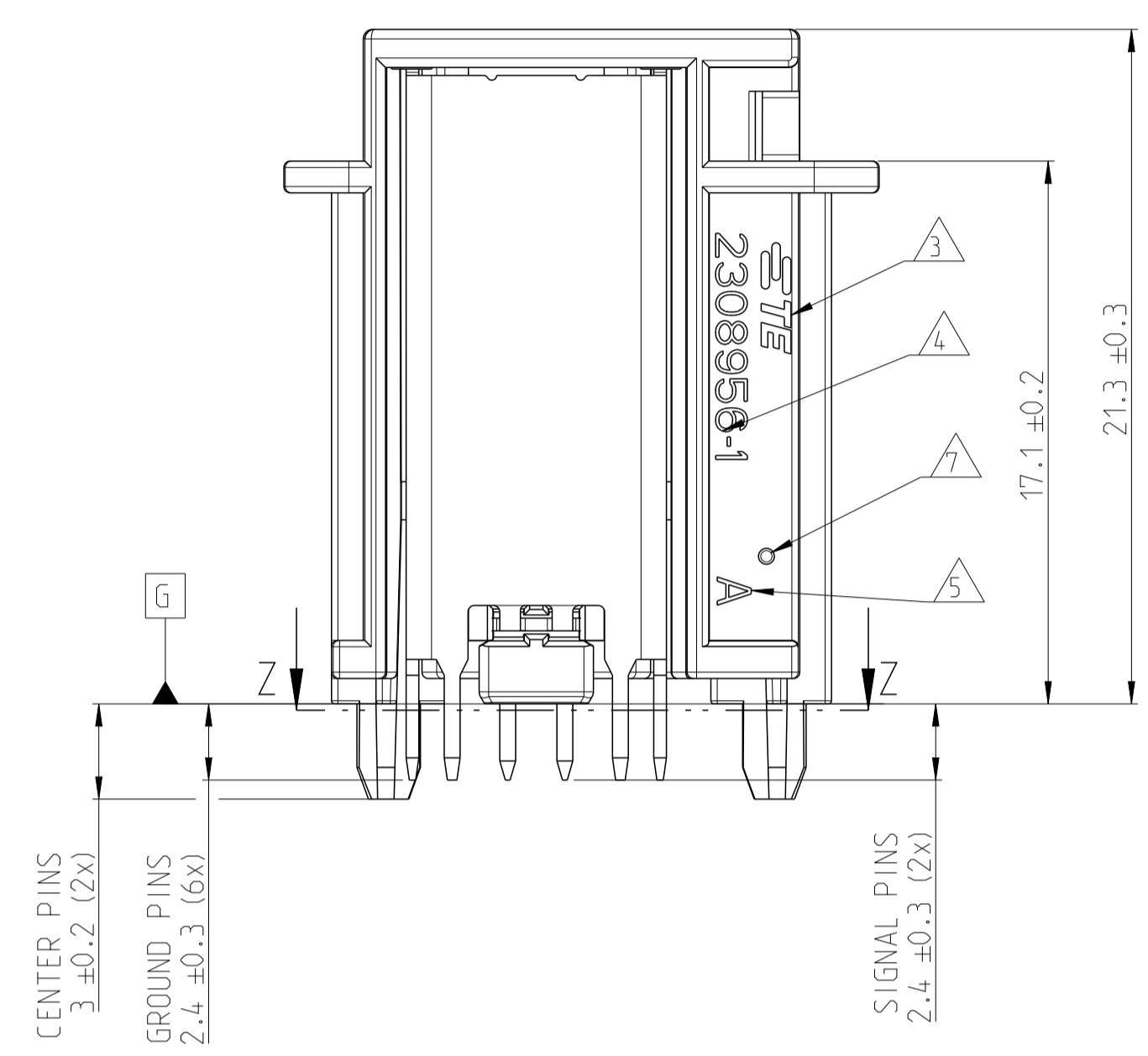


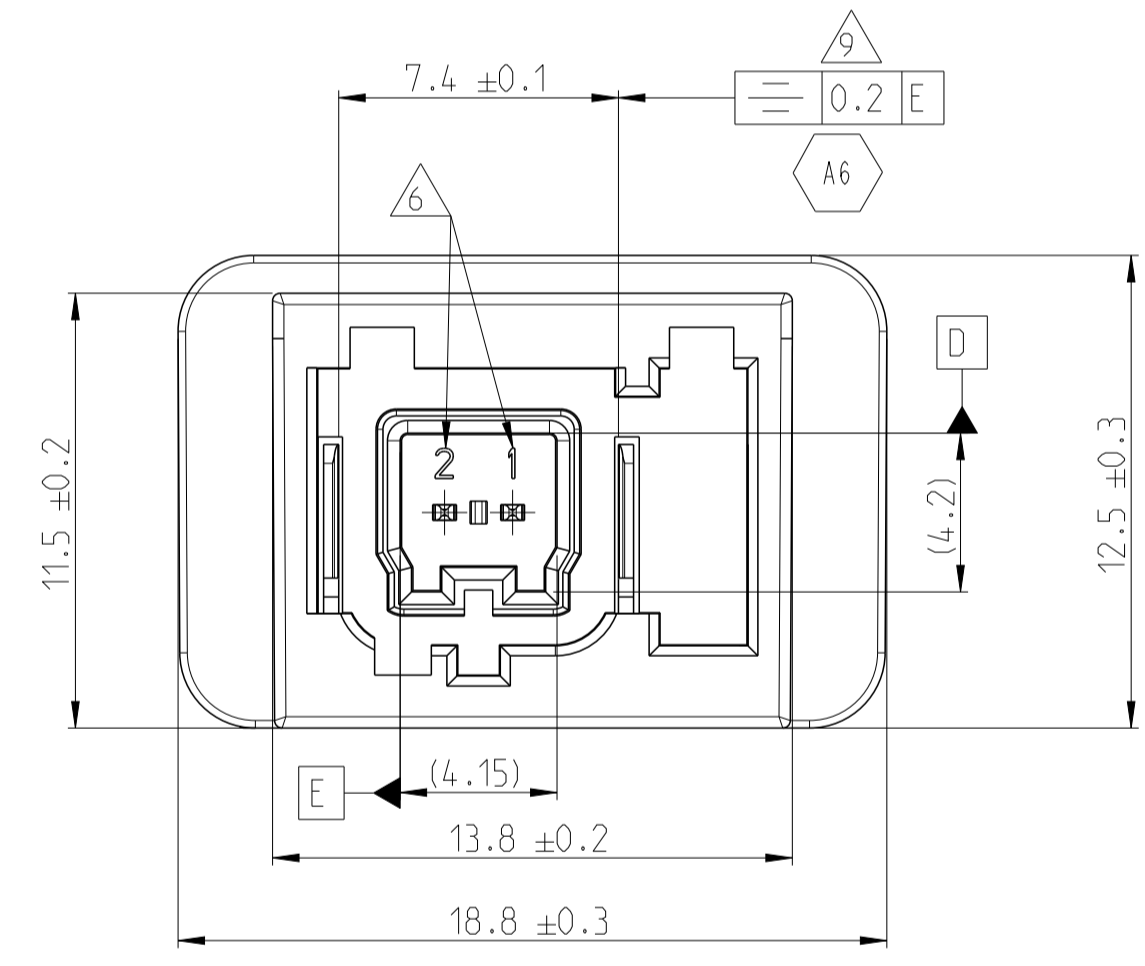
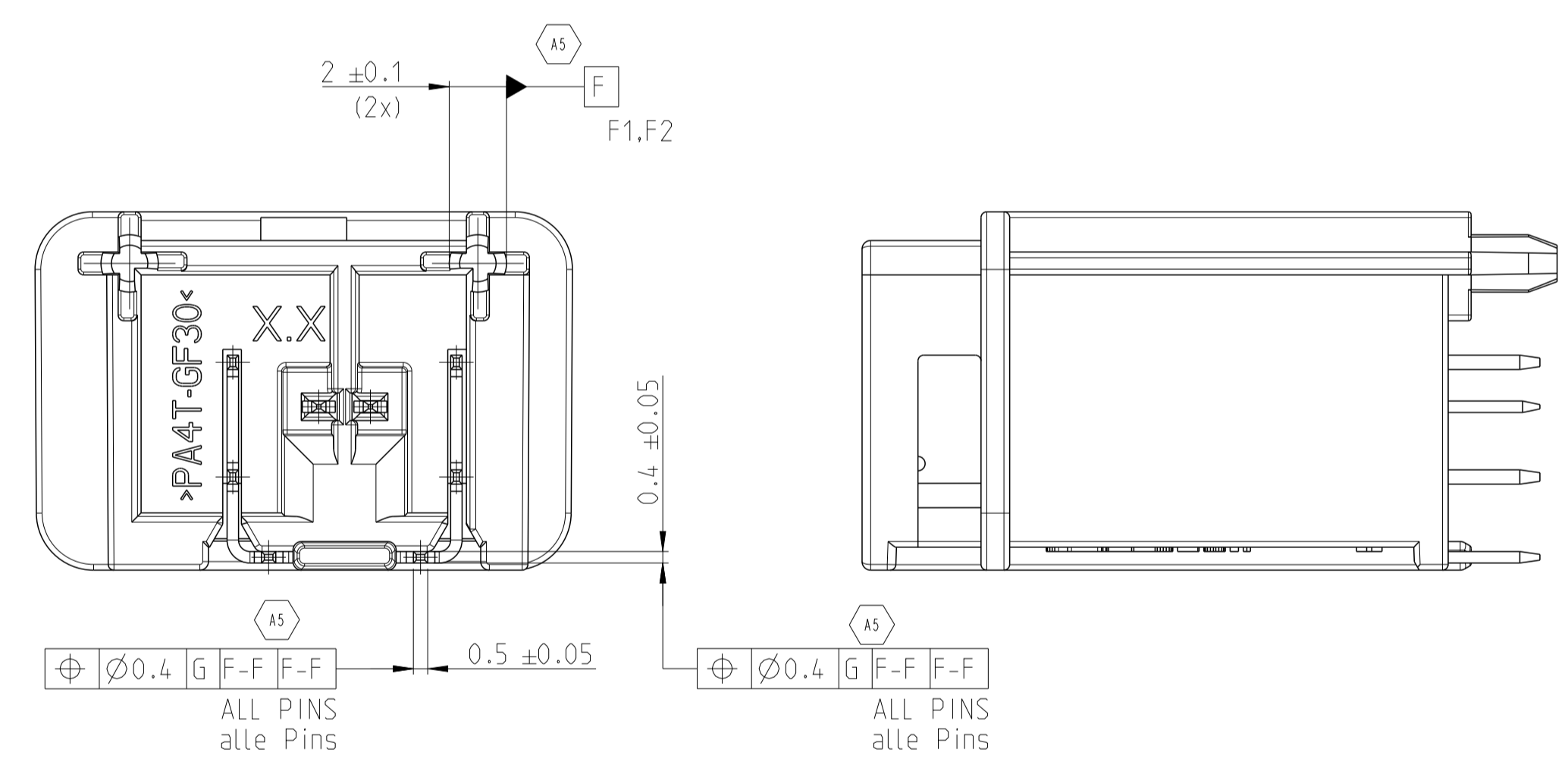
Kodierungen nach TE Schnittstellenzeichnung 208-18006
 CODINGS ACC. TE INTERFACE DRAWING 208-18006

CODE A	CODE B	CODE C	CODE J	CODE Z

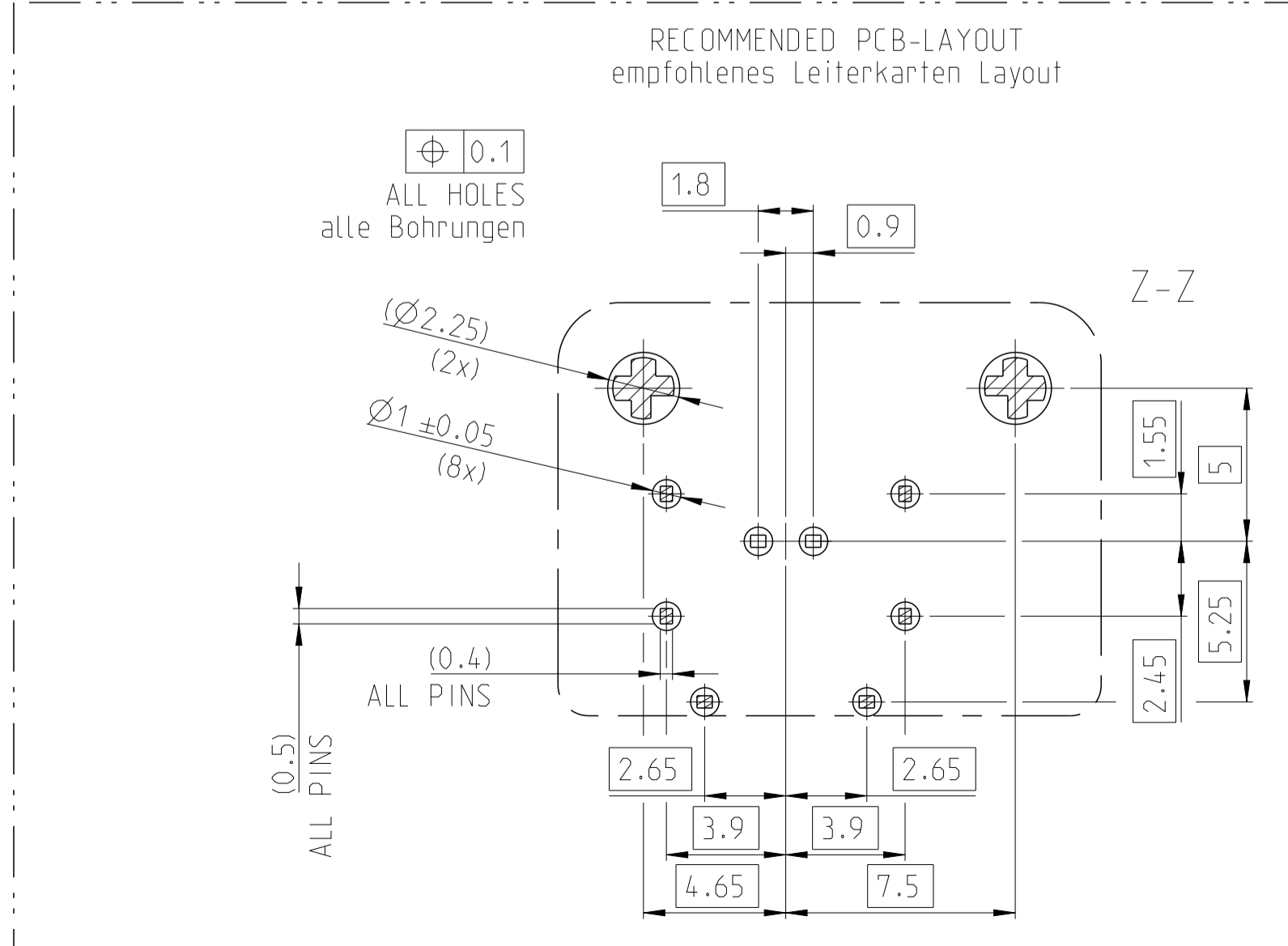
PROJEKT NR.:		REVISIONS			
P	LTA	DESCRIPTION	DATE	DWN	APVD
A3	E-19-012301		05AUG2019	RW	RW
A4	E-19-013924		05SEP2019	RW	AK
A5	E-20-009167		26JUN2020	RW	AK
A6	E-20-014064		02OCT2020	RW	AK



- Notizen/NOTES:
- 2308956-1 Kodierung A wie dargestellt
2308956-1 CODING A AS SHOWN
 - Fehlende Maße siehe TE-Schnittstellenzeichnung 208-18006
MISSING DIMENSIONS SEE TE-INTERFACE DRAWING 208-18006
 - TE-Logo
TE-LOGO
 - TE Teil Number
TE Part Number
 - Revisionsstand
PART REVISION
 - Kontaktkammernummer
CONTACT CAVITY NUMBER
 - Gutteil Markierung
GOOD-PART MARKING
 - Verpackung: nach Verpackungsspezifikation V2308956
Blistergurt auf Spule
PACKAGING: ACC PACKAGING INSTRUCTION V2308956
TAPE & REEL
 - Toleranz abweichend zur Schnittstelle 208-18006,
Funktionalität belegt, siehe Test 20-AUT-DE-1201, 20-AUT-DE-1202
TOLERANCE DEVIATING TO INTERFACE 208-18006
FUNCTIONALITY PROVEN. SEE TEST 20-AUT-DE-1201, 20-AUT-DE-1202



SERIAL PART



TE ASSY No.	REV.	CODE	QTY.	DESCRIPTION	MATERIAL	COLOR/SURFACE	WEIGHT (g)	POS
2308956-9	A	Z	2	Soldering Pins for 180° MATEnet HSG.	CuNiSi A4	Sn	3	3
			1	Sheet for 180° Header	CuSn4	Ni / Sn	3.7	2
2308956-7	A	J	1	MATEnet 180° Single Port Header HSG., Code Z	PA4T-GF30	WATER BLUE	1	1
			2	Soldering Pins for 180° MATEnet HSG.	CuNiSi A4	Sn	3	3
2308956-3	A	C	1	Sheet for 180° Header	CuSn4	Ni / Sn	3.9	2
			1	MATEnet 180° Single Port Header HSG., Code D	PA4T-GF30	CLARET VIOLET	1	1
2308956-2	A	B	2	Soldering Pins for 180° MATEnet HSG.	CuNiSi A4	Sn	3	3
			1	Sheet for 180° Header	CuSn4	Ni / Sn	3.9	2
2308956-1	A	A	1	MATEnet 180° Single Port Header HSG., Code B	PA4T-GF30	WHITE	1	1
			2	Soldering Pins for 180° MATEnet HSG.	CuNiSi A4	Sn	3	3
2308956-1	A	A	1	Sheet for 180° Header	CuSn4	Ni / Sn	3.9	2
			1	MATEnet 180° Single Port Header HSG., Code A	PA4T-GF30	BLACK	1	1

THIS DRAWING IS A CONTROLLED DOCUMENT.

DIMENSIONS: MASSENHEITEN: mm

TOLERANCES UNLESS OTHERWISE SPECIFIED: ALL DIMENSIONS

0 PLC ±0.3
 1 PLC ±0.3
 2 PLC ±
 3 PLC ±
 4 PLC ±

FINISH/SCHLEIFFARBE: see table

WEIGHT GEWICHT: see table

CUSTOMER DRAWING

DWN: J. KIEBWEITER 26SEP2016
 CHK: R. WUERKER 30DEC2016
 APVD: A. KETTELER 16DEC2016

NAME: MATEnet 180deg Single Port Header Ass'y
 MATEnet 180deg SINGLE PORT HEADER

SIZE: A1
 CAGE CODE: 00779
 DRAWING NO.: 2308956

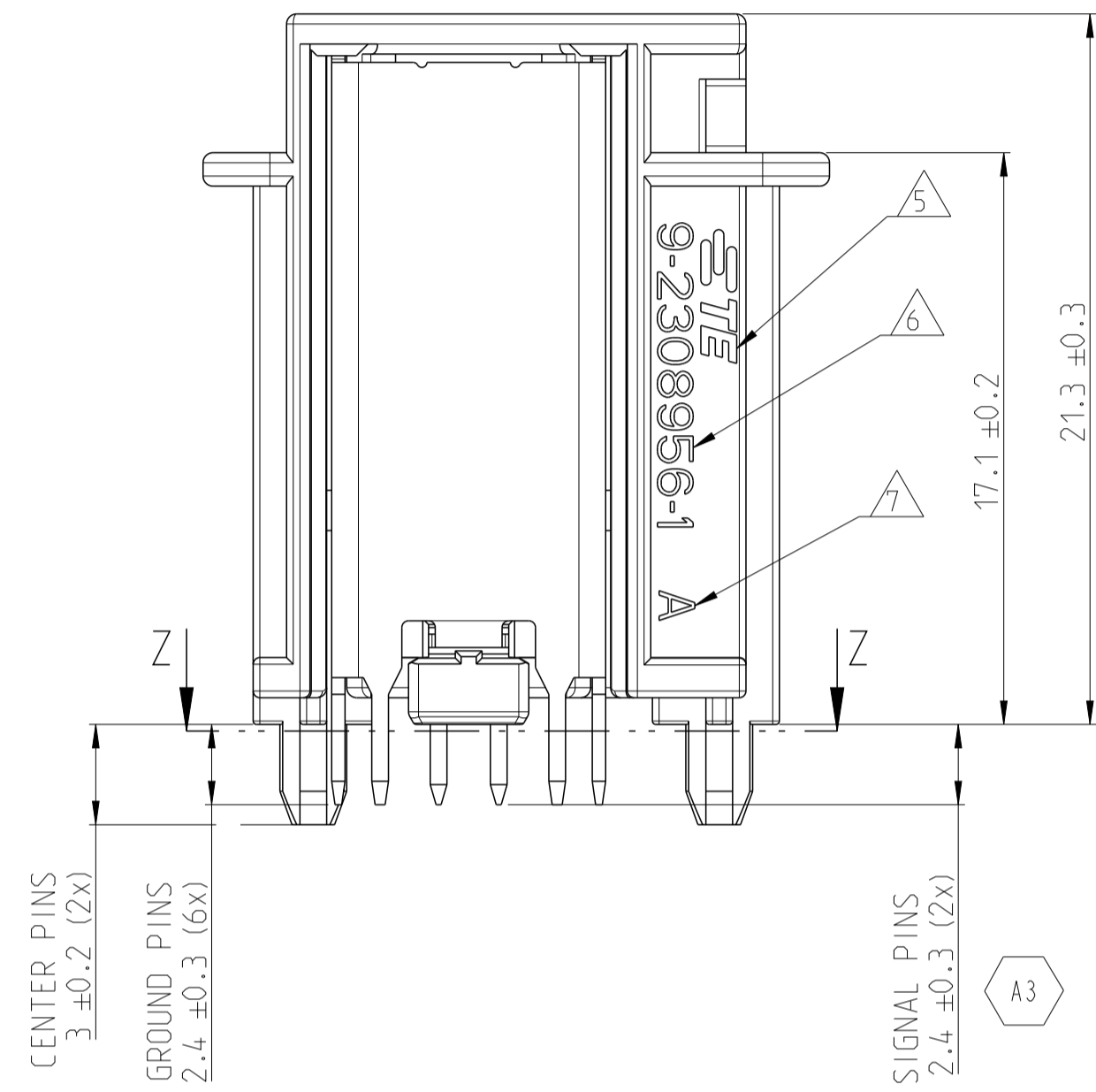
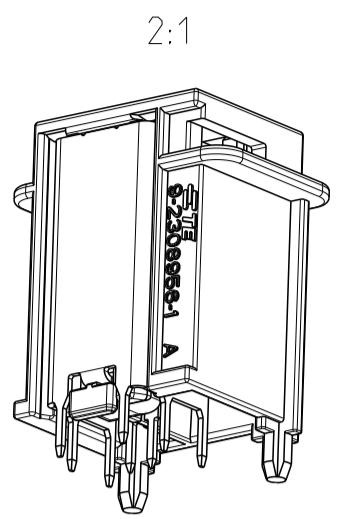
RESTRICTED TO NUR FÜR: see table

SCALE: MASSSTAB 5:1
 SHEET: BLATT 1 OF 2
 REV: A6

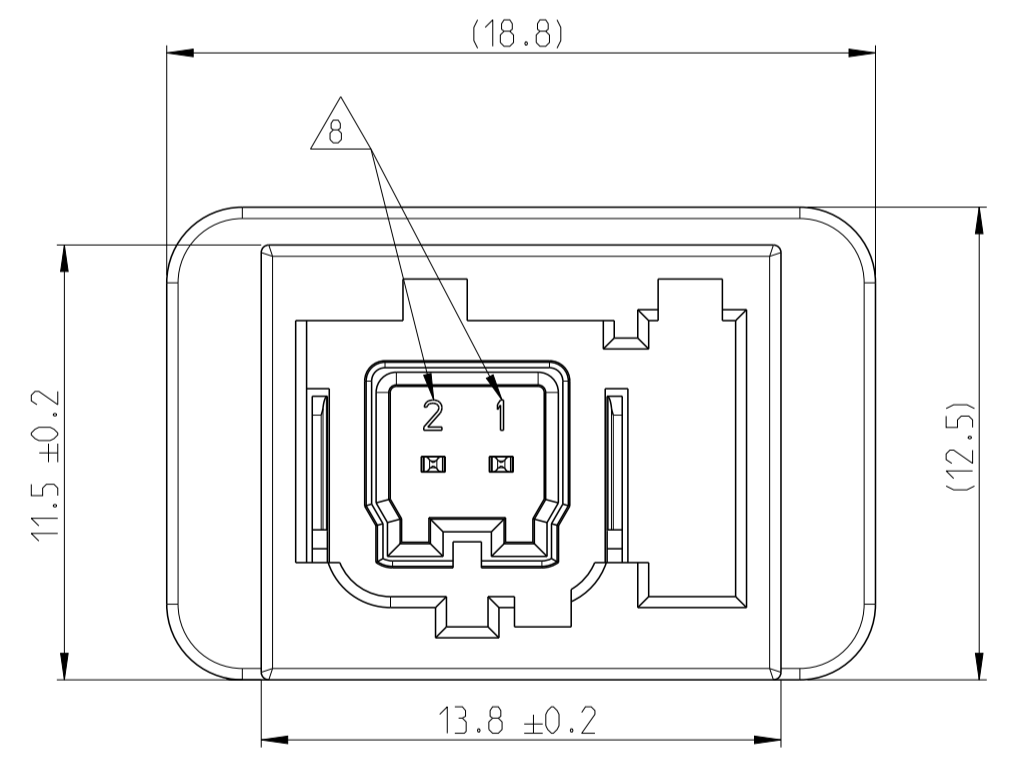
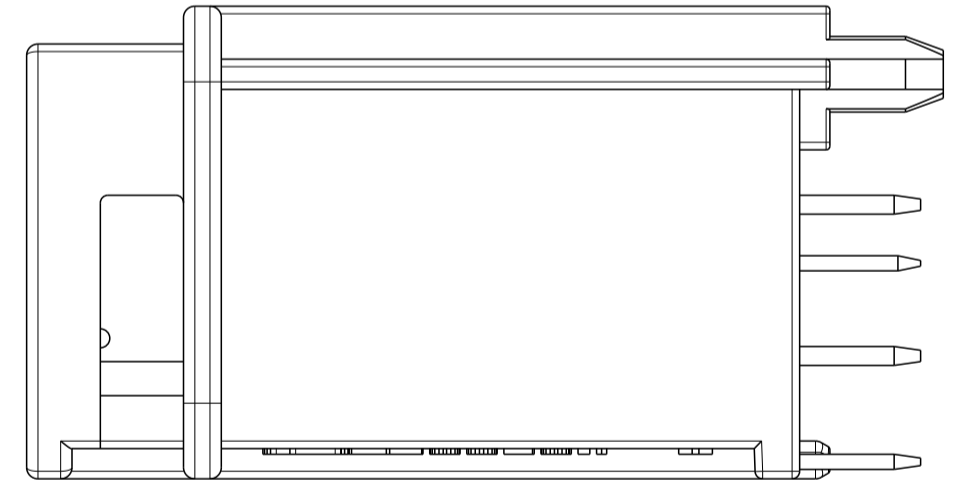
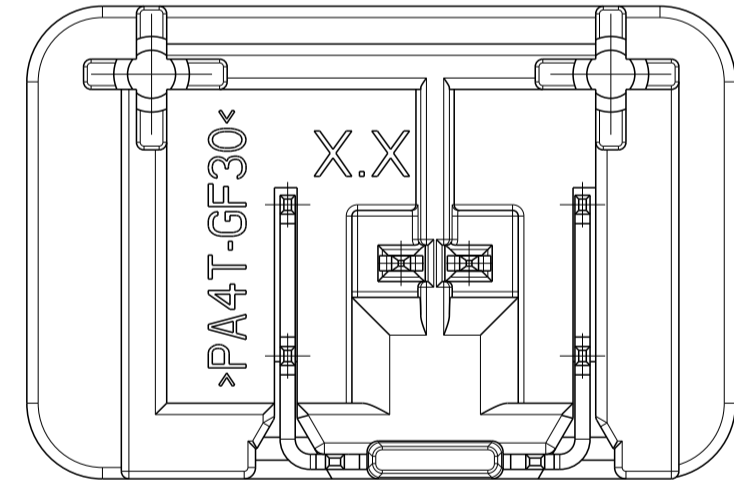
Kodierungen nach TE Schnittstellenzeichnung 208-18006 / CODINGS ACC. TE INTERFACE DRAWING 208-18006

CODING A	CODING B	CODING C	CODING D	CODING J	CODING Z

REVISIONS				
P.	LTN	DESCRIPTION	DATE	APVD
-		SEE SHEET 1	-	-

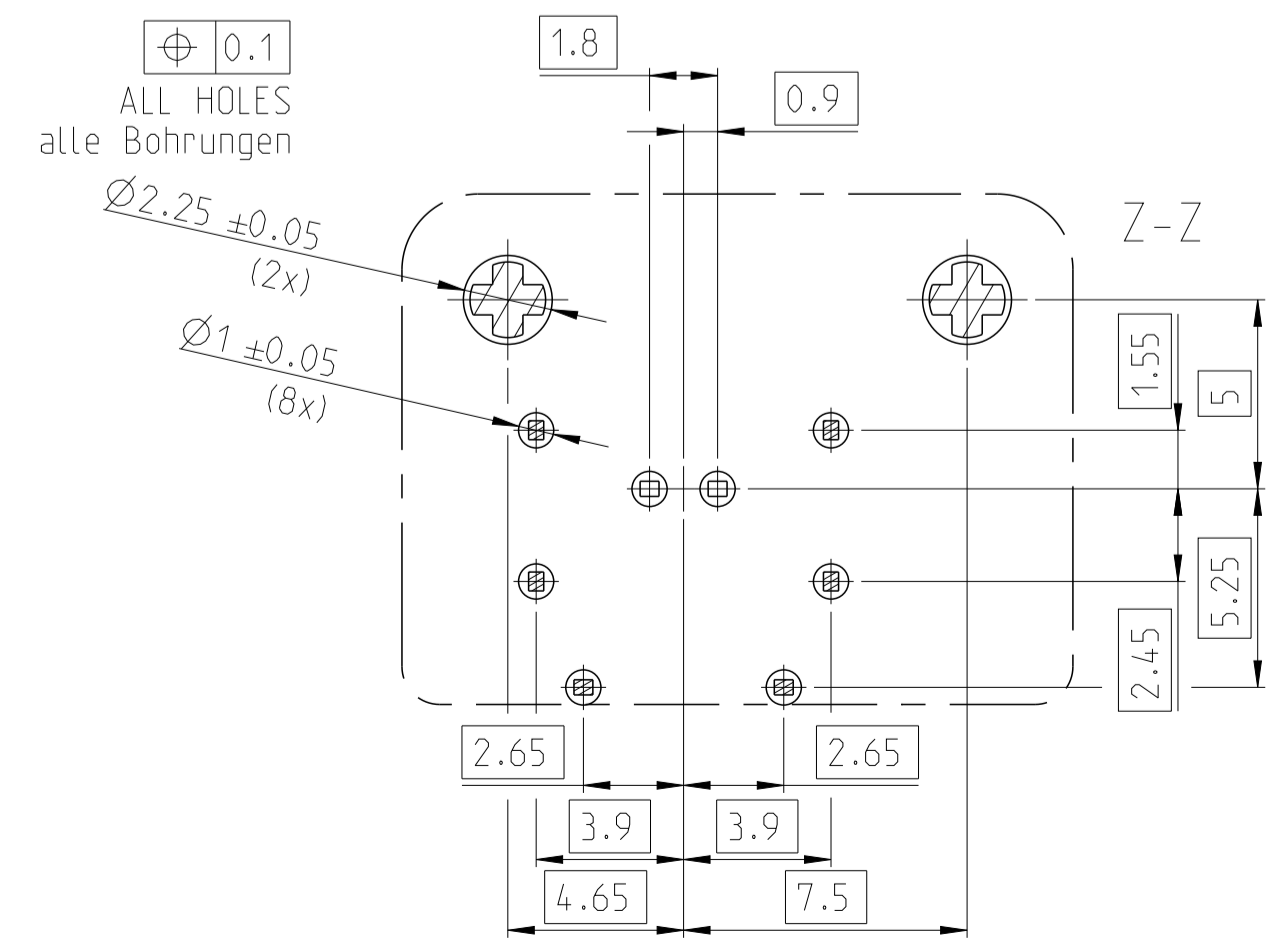


- Notizen/NOTES:
- 9-2308956-2 Kodierung B wie dargestellt
9-2308956-2 CODING B AS SHOWN
 - Fehlende Maße siehe TE-Schnittstellenzeichnung 208-18006
MISSING DIMENSIONS SEE TE-INTERFACE DRAWING 208-18006
 - Alle Abmessungen in () nur zur Information
ALL DIMENSIONS IN () FOR INFORMATION ONLY
 - Verpackung: nach Verpackungsspezifikation V2308956
Blistergurt auf Spule
PACKAGING: ACC PACKAGING INSTRUCTION V2308956
TAPE & REEL
- TE-Logo
TE-LOGO
 - TE Teil Number
TE Part Number
 - Revisionsstand
PART REVISION
 - Kontaktkammernummer
CONTACT CAVITY NUMBER



NUR FUER B-SAMPLES
FOR PROTOTYP B-SAMPLES ONLY

RECOMMENDED PCB-LAYOUT
empfohlenes Leiterkarten Layout



TE ASSY No.	REV.	CODE	QTY.	DESCRIPTION	MATERIAL	COLOR/SURFACE	WEIGHT (g)	POS
9-2308956-9	A	Z	2	Soldering Pins for 180° MATeNet HSG.	CuMg0.1	Sn	3.7	3
			1	Sheet for 180° Header	CuSn6	Ni / Sn		2
			1	MATeNet 180° Single Port Header HSG., Code Z	PA4T-GF30	WATER BLUE		1
9-2308956-7	A	J	2	Soldering Pins for 180° MATeNet HSG.	CuMg0.1	Sn	3.9	3
			1	Sheet for 180° Header	CuSn6	Ni / Sn		2
			1	MATeNet 180° Single Port Header HSG., Code J	PA4T-GF30	BEIGE		1
9-2308956-4	A	D	2	Soldering Pins for 180° MATeNet HSG.	CuMg0.1	Sn	3.9	3
			1	Sheet for 180° Header	CuSn6	Ni / Sn		2
			1	MATeNet 180° Single Port Header HSG., Code D	Pa4T-GF30	CLARET VIOLET		1
9-2308956-3	A	C	2	Soldering Pins for 180° MATeNet HSG.	CuMg0.1	Sn	3.9	3
			1	Sheet for 180° Header	CuSn6	Ni / Sn		2
			1	MATeNet 180° Single Port Header HSG., Code C	PA4T-GF30	BLUE		1
9-2308956-2	A	B	2	Soldering Pins for 180° MATeNet HSG.	CuMg0.1	Sn	3.9	3
			1	Sheet for 180° Header	CuSn6	Ni / Sn		2
			1	MATeNet 180° Single Port Header HSG., Code B	PA4T-GF30	WHITE		1
9-2308956-1	A	A	2	Soldering Pins for 180° MATeNet HSG.	CuMg0.1	Sn	3.9	3
			1	Sheet for 180° Header	CuSn6	Ni / Sn		2
			1	MATeNet 180° Single Port Header HSG., Code A	PA4T-GF30	BLACK		1

THIS DRAWING IS A CONTROLLED DOCUMENT.

DIMENSIONS:	TOLERANCES UNLESS OTHERWISE SPECIFIED:	0 PLC ±0.3	1 PLC ±0.3	2 PLC ±	3 PLC ±	4 PLC ±	ANGLES ±
MATERIAL:	FINISH:	WEIGHT:	see table	CUSTOMER DRAWING	SCALE:	5:1	SHEET:

DATE: 26 SEP 2016
 CHK: J. KIEBWEITZ
 R. WUERKER
 APVD: A. KETTELER
 PRODUCT SPEC: 108-94568
 APPLICATION SPEC: 114-94431

TE Connectivity
STE
 NAME: MATeNet 180deg Single Port Header Ass'y
 MATeNet 180deg SINGLE PORT HEADER
 SIZE: A1
 CAGE CODE: 00779
 DRAWING NO: 2308956
 RESTRICTED TO: REV. A6

X-ON Electronics

Largest Supplier of Electrical and Electronic Components

Click to view similar products for [Automotive Connectors](#) category:

Click to view products by [TE Connectivity](#) manufacturer:

Other Similar products are found below :

[003-018-000](#) [60403001](#) [60993906-B](#) [M902-2131](#) [M902-2161](#) [M902-2344](#) [72.330.1035.1](#) [73.353.4028.0](#) [F119300-B](#) [F166900](#) [F258300-B](#)
[F358300-B](#) [F407400](#) [F444110](#) [F487000](#) [F509500B-B](#) [827153-1](#) [8N1515-32-24P](#) [9-1326729-8](#) [925474-1](#) [928905-1](#) [964562-4](#) [968782-1](#)
[GT17SA-8DS-HU](#) [98891-1012](#) [98947-1016](#) [12004147](#) [12004475-L](#) [12010290](#) [12015454](#) [12020219-B](#) [12041318-B](#) [12052225-L](#) [12052466](#)
[12064869](#) [12004327-B](#) [12015308](#) [12015384](#) [12015909](#) [1-21030-1](#) [12041254](#) [12041318](#) [12047946-B](#) [12047957](#) [12047957-L](#) [12059473](#)
[12066261](#) [12110546](#) [12110546-B](#) [12131792](#)