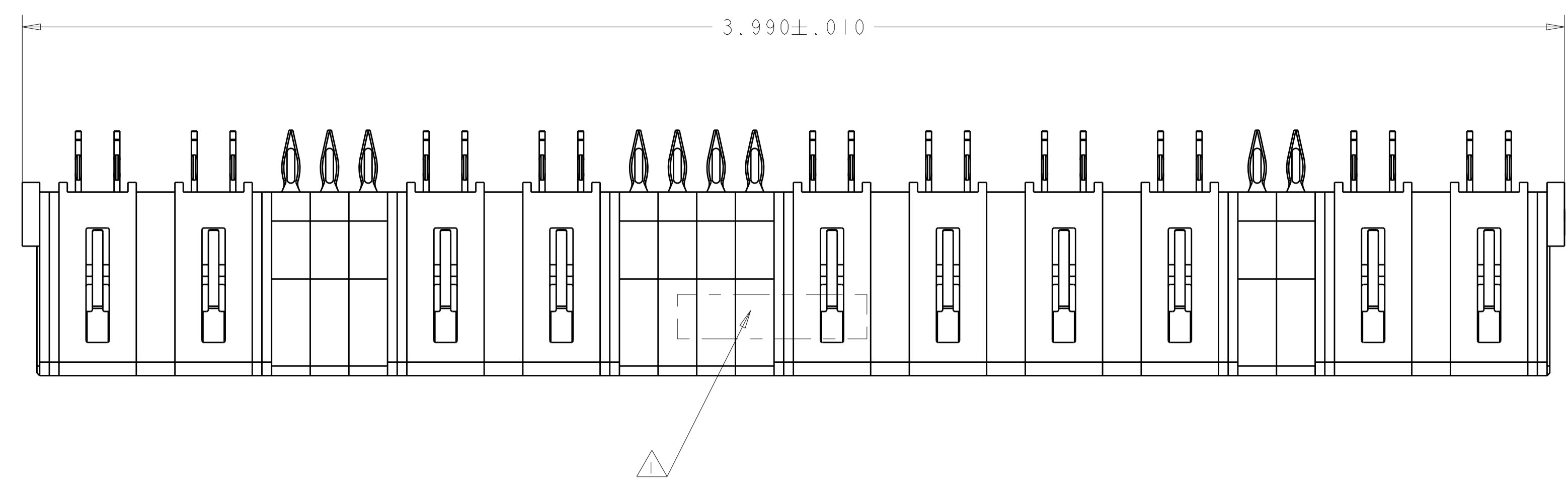
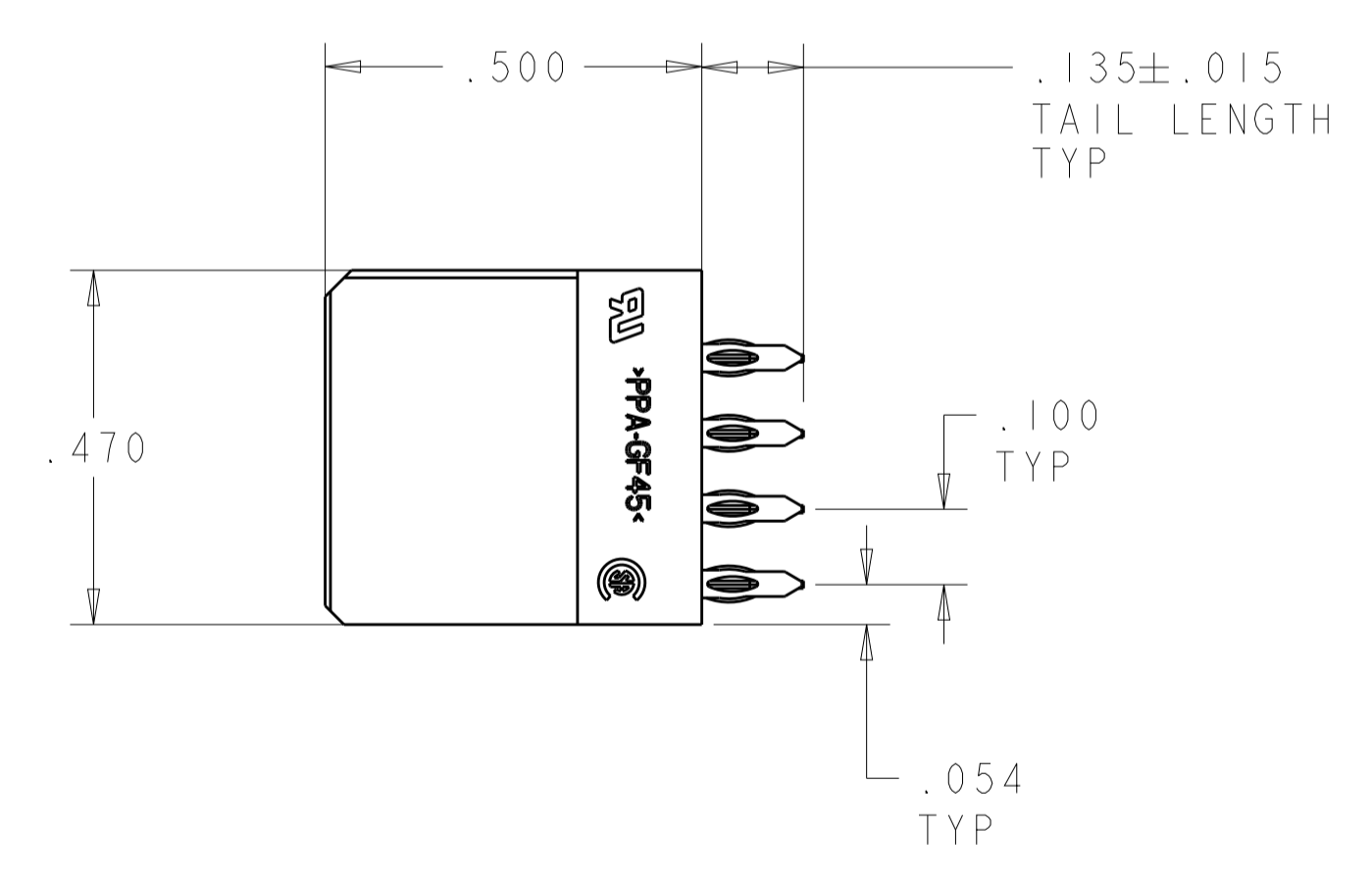
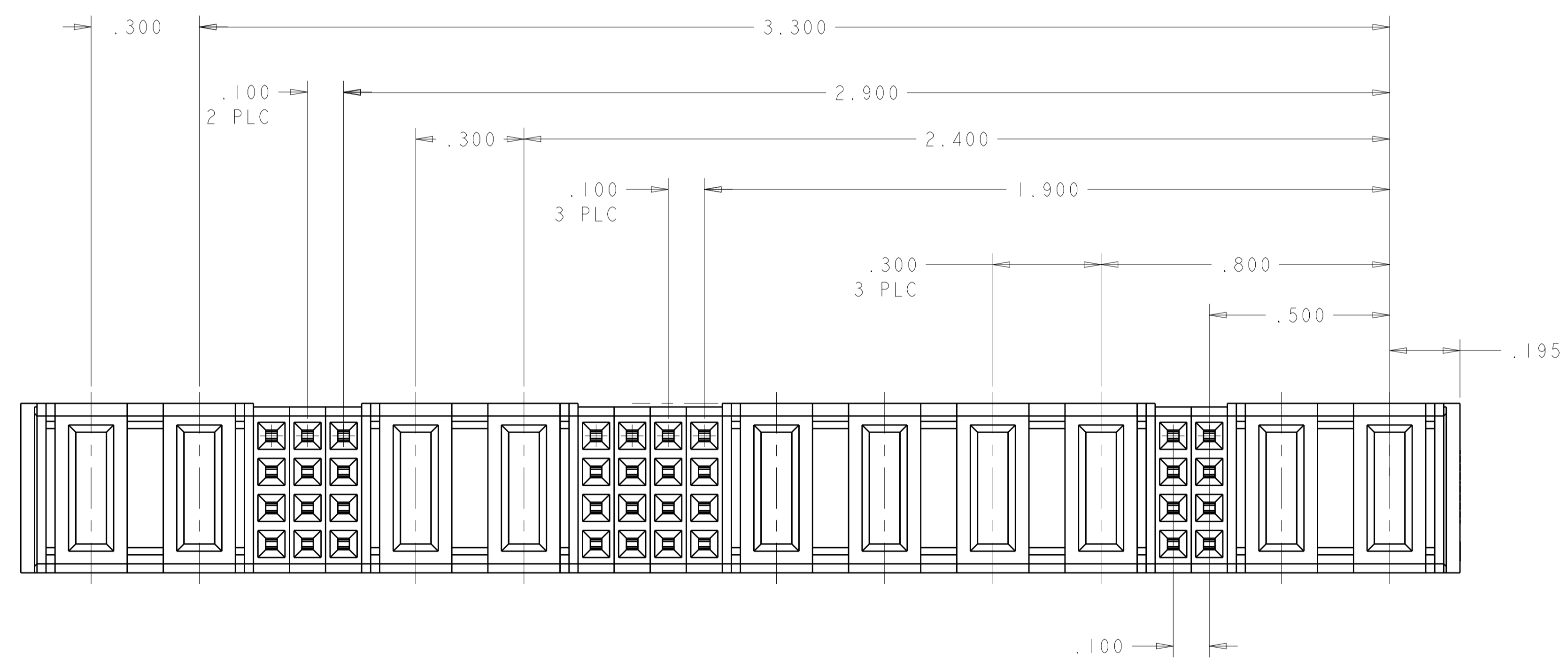


REVISIONS				
REV	LTN	DESCRIPTION	DATE	APVD
B		REV PER ECO 19-005206	4-23-19	CT DH



- 1 "TE", PART NUMBER AND DATE CODE TO BE MARKED IN AREA SHOWN PARTS UNDER 2.00 LONG MAY BE MARKED ON BOTH SIDES
- 2 MATERIAL: HOUSING - GLASS FILLED HIGH TEMP THERMO PLASTIC, UL94 V-0
 SIGNAL CONTACT - HIGH CONDUCTIVITY COPPER ALLOY
 POWER CONTACT - HIGH CONDUCTIVITY COPPER ALLOY
- 3 CONTACT PLATING: SIGNAL CONTACTS - .000050 MIN Ni UNDER ALL
 .000050 MIN Au ON CONTACT AREA
 .000005 MIN Au AT PCB INTERFACE
 POWER CONTACTS - .000050 MIN Ni UNDER ALL
 .000050 MIN Au ON CONTACT AREA
 .000005 MIN Au AT PCB INTERFACE
- 4 MECHANICAL CONNECTOR KEEP OUT ZONE
- 5 DATUM AND BASIC DIMENSIONS ESTABLISHED BY CUSTOMER
- 6 PCB - ALL HOLE DIAMETERS ARE FINISHED HOLE SIZES
- 7 PCB - 0.0453 ± .0010 DRILLED HOLES PLATED WITH .0003 MIN Sn
 OVER .001 TO .003 Cu PLATING TO ACHIEVE A .040 ± .003 HOLE
- 8. FLASH TO BE .005 INCHES MAX. FLASH AND FEATURE DIMENSIONS ARE MEASURED SEPARATELY.

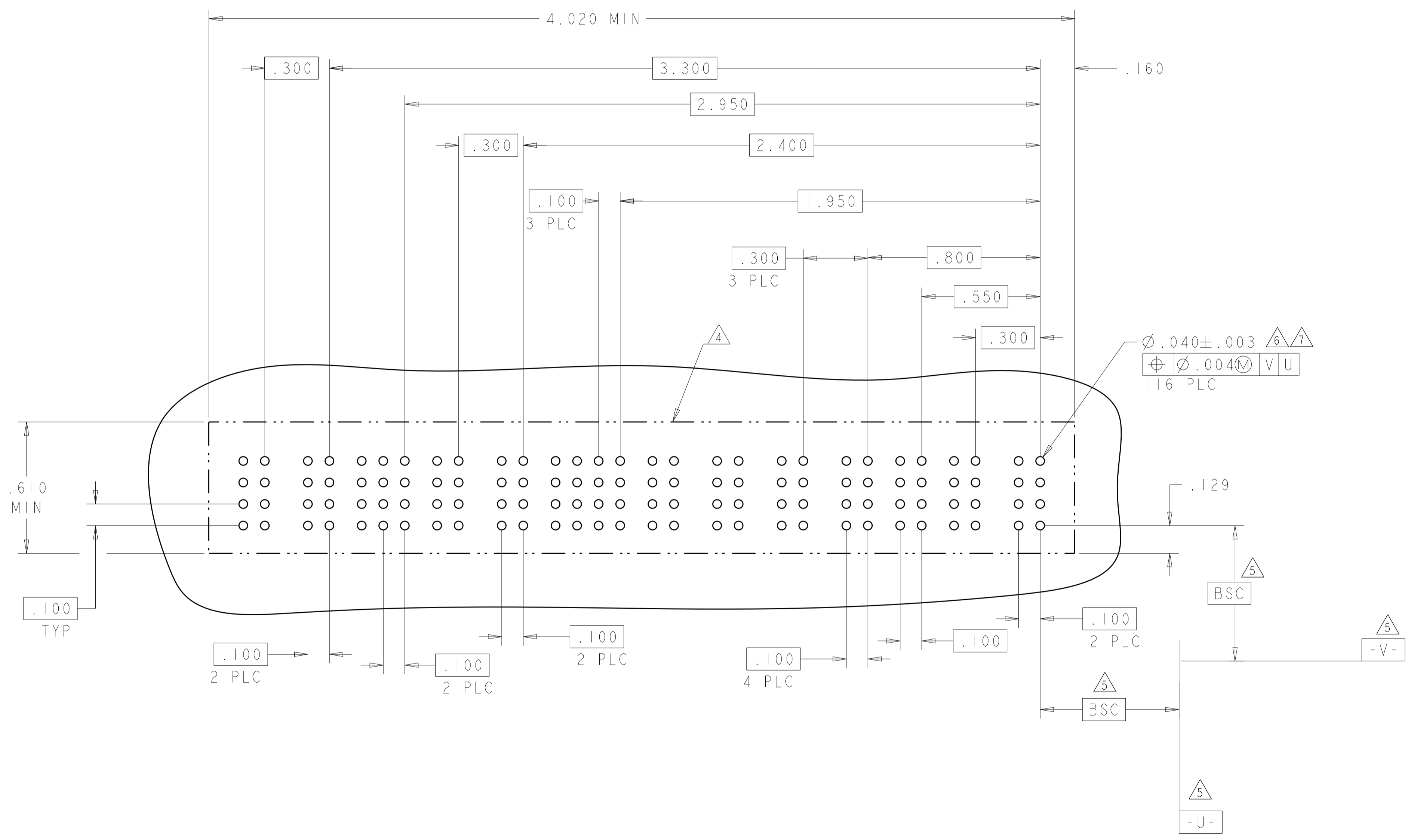


2ACP+8S+4ACP+16S+2ACP+12S+2ACP	2309390-2
DESCRIPTION	PART NUMBER

THIS DRAWING IS A CONTROLLED DOCUMENT.		DWN C.C. THOMAS 1-10-17	NAME	
DIMENSIONS: INCHES		CHK D. HOANG 1-10-17	VER RECEP ASSEMBLY, W/ LP CONTACTS WITHOUT GUIDES, PRESS FIT MULTI-BEAM XLE	
TOLERANCES UNLESS OTHERWISE SPECIFIED:		APVD D. HOANG 1-10-17	SIZE	RESTRICTED TO
0 PLC ± .01	1 PLC ± .01	PRODUCT SPEC	A1	
2 PLC ± .01	3 PLC ± .005	108-2292	CAGE CODE	
4 PLC ± .005	ANGLES ± .0020	APPLICATION SPEC	2309390-2	
MATERIAL	FINISH	114-13251	SCALE	7:2
		WEIGHT	SHEET	1 OF 2
		CUSTOMER DRAWING	REV	B

REVISIONS				
P.	LTR.	DESCRIPTION	DATE	APPD.
-	-	SEE SHEET 1	-	-

PART NUMBER	ROWS	POWER		SIGNAL			POWER		SIGNAL				POWER		SIGNAL		POWER			
		P10	P9	9	8	7	P8	P7	6	5	4	3	P6	P5	P4	P3	2	1	P2	P1
2309390-2	D	GS	GS	AP	AP	AP	GS	GS	AP	AP	AP	AP	GS	GS	GS	GS	AP	AP	GS	GS
	C			AP	AP	AP			AP	AP	AP	AP					AP	AP		
	B			AP	AP	AP			AP	AP	AP	AP					AP	AP		
A				AP	AP	AP			AP	AP	AP	AP					AP	AP		
2ACP+8S+4ACP+16S+2ACP+12S+2ACP																				



CODE	TAIL LENGTH
GS	STD POWER PRESS FIT CONTACT .135 TAIL LENGTH
AP	SIGNAL PRESS FIT CONTACT .135 TAIL LENGTH
CODE	TAIL LENGTH

CONTACT TABLE

THIS DRAWING IS A CONTROLLED DOCUMENT.

DWN	C.C. THOMAS	1-10-17
CHK	D. HOANG	1-10-17
APP'D	D. HOANG	1-10-17
PRODUCT SPEC		
APPLICATION SPEC		
RESTRICTED TO		
SIZE	CAGE CODE	DRAWING NO.
A1	-	2309390-2
CUSTOMER DRAWING	SCALE	SHEET 2 OF 2
	1:1	REV B

STE TE Connectivity

NAME: VER RECEP ASSEMBLY, W/ LP CONTACTS WITHOUT GUIDES, PRESS FIT MULTI-BEAM XLE

X-ON Electronics

Largest Supplier of Electrical and Electronic Components

Click to view similar products for [Power to the Board](#) category:

Click to view products by [TE Connectivity](#) manufacturer:

Other Similar products are found below :

[6450171-4](#) [6450552-7](#) [6600323-8](#) [6643429-1](#) [6646040-2](#) [6651939-1](#) [6766604-1](#) [120959-1](#) [1393557-2](#) [1393532-2](#) [1393532-3](#) [1393532-4](#)
[1393557-1](#) [1600812-5](#) [1-6450861-2](#) [1744132-7](#) [1761122-1](#) [1766250-1](#) [1892109-1](#) [2-6450860-5](#) [2-6450870-0](#) [1-6450161-4](#) [1-6450850-6](#) [1-](#)
[6450869-6](#) [1645526-2](#) [1-6600130-0](#) [2005243-2](#) [377-0020-11130](#) [TE34-12-16P-F0](#) [51700-10201602AALF](#) [5-6450830-6](#) [5646956-4](#) [377-](#)
[0080-11131A](#) [4-6450830-9](#) [4-6600333-3](#) [10125416-4050LF](#) [10130248-005LF](#) [6600320-3](#) [3-6450860-5](#) [1888123-2](#) [6450166-1](#) [6643978-1](#)
[6766605-1](#) [701-15-02109](#) [N11444](#) [6651938-1](#) [6450810-7](#) [46437-1112](#) [1-1589677-8](#) [5646956-5](#)