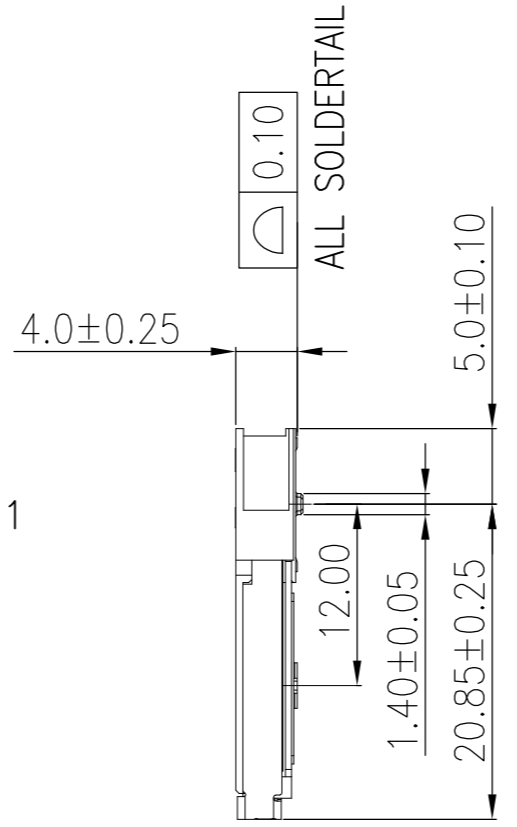
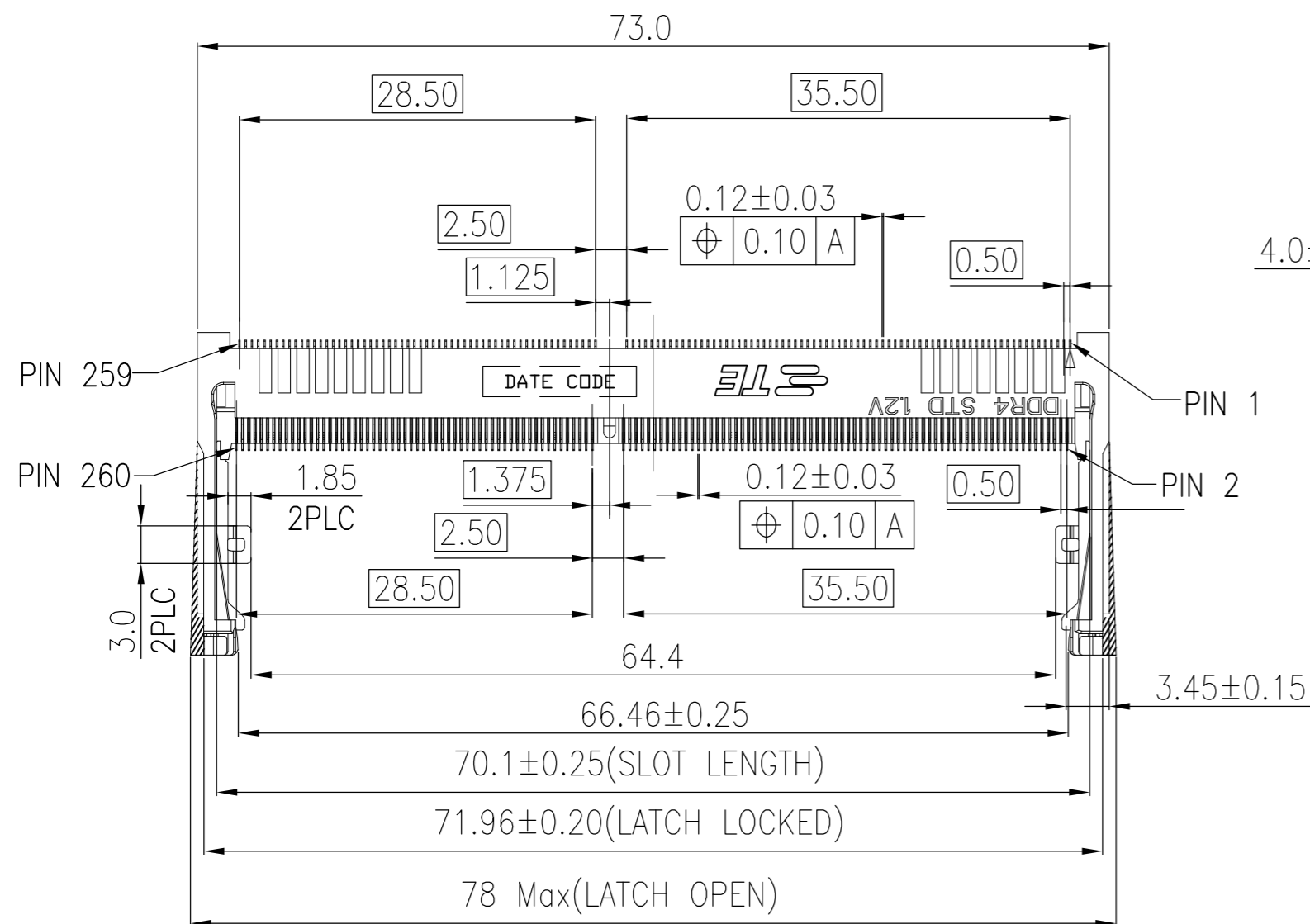
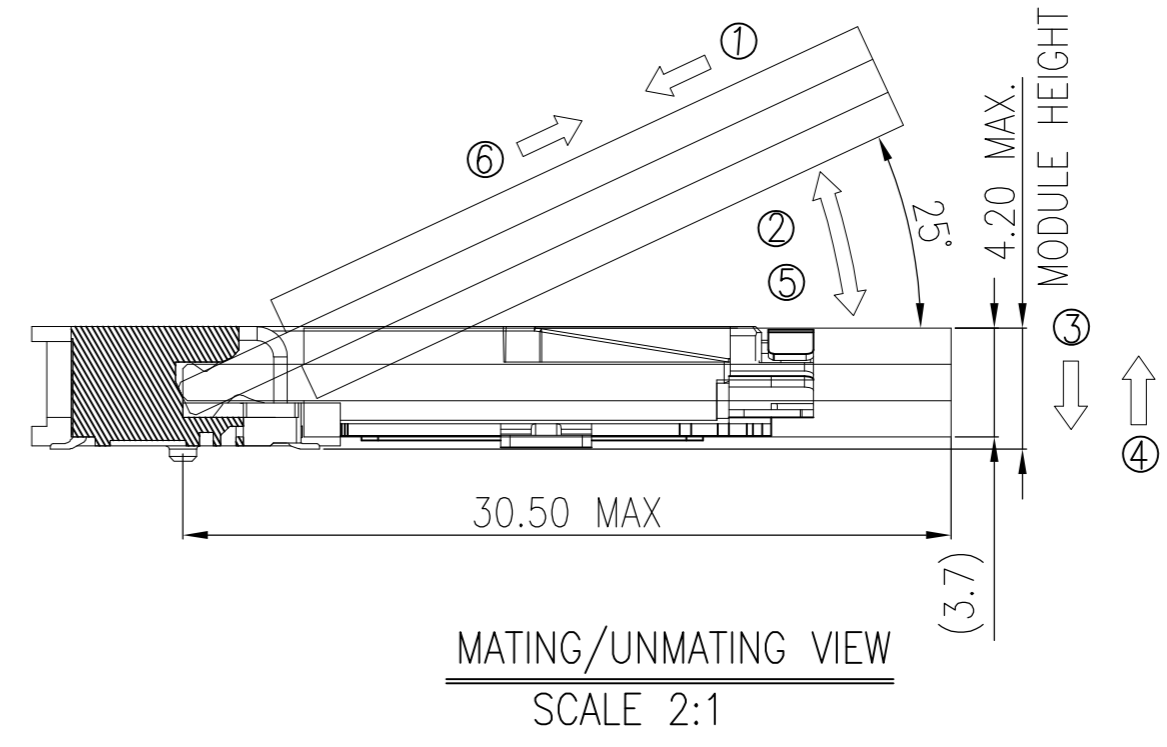
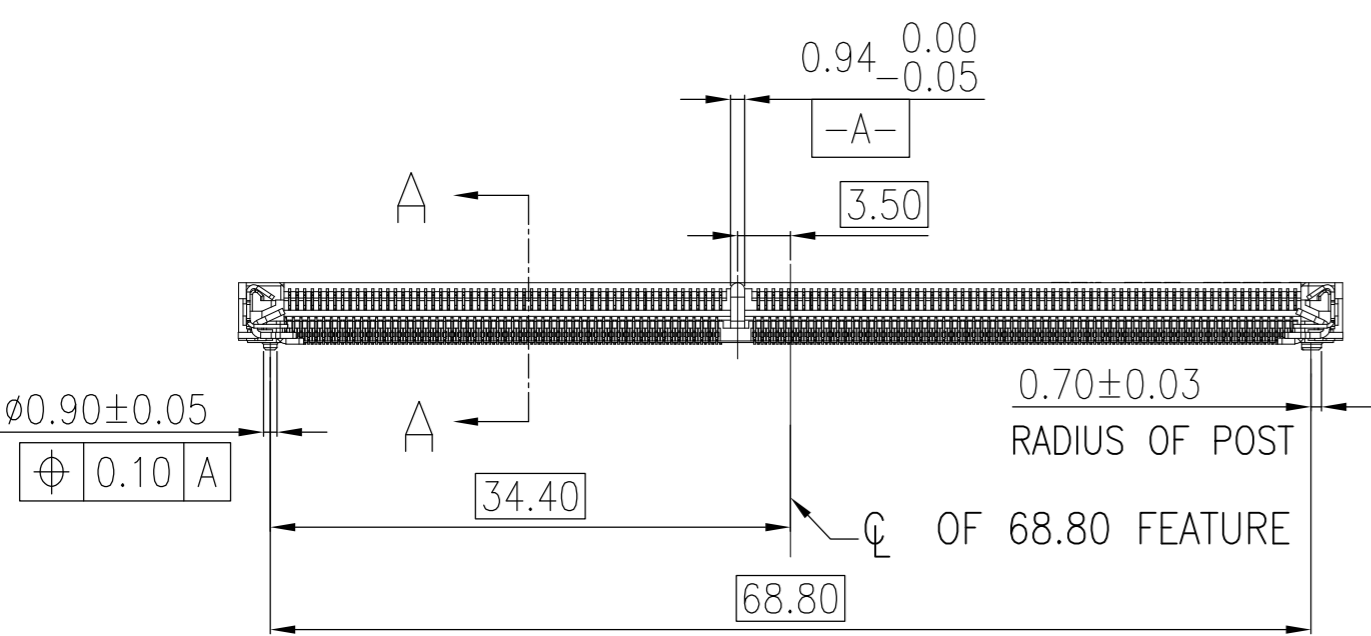


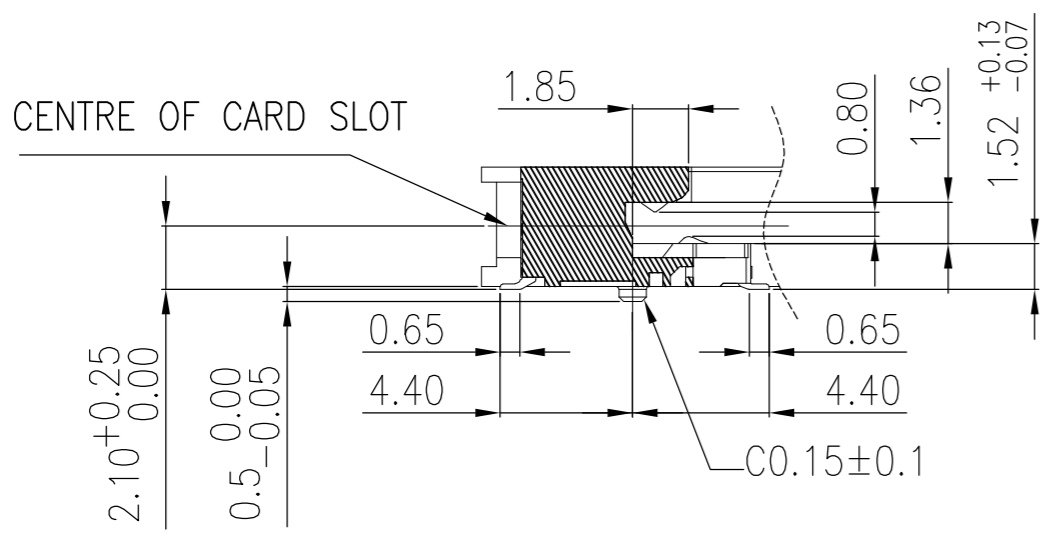
REVISIONS					
P	LTR	DESCRIPTION	DATE	DWN	APVD
3		REVISED	18FEB2017	D.Z	S.L



- NOTES:
- MATERIAL:
 - HOUSING: HIGH TEMPERATURE THERMO PLASTIC, UL94V-0, COLOR: BLACK.
 - CONTACT: COPPER ALLOY.
 - SOLDER PEG AND LATCH: STAINLESS STEEL.
 - FINISH:
 - SOLDER PEG: GOLD FLASH ON 50u" MIN NICKEL UNDERPLATED ALL OVER.
 - CONTACT SOLDER AREA: GOLD FLASH ON SOLDER TAIL.
 - CONTACT AREA: GOLD FLASH ON 50u" MIN NICKEL UNDERPLATED ALL OVER.
 - CONTACT AREA: 5u" ON 50u" MIN NICKEL UNDERPLATED ALL OVER.
 - CONTACT AREA: 10u" ON 50u" MIN NICKEL UNDERPLATED ALL OVER.
 - CONTACT AREA: 15u" ON 50u" MIN NICKEL UNDERPLATED ALL OVER.
 - CONTACT AREA: 30u" ON 50u" MIN NICKEL UNDERPLATED ALL OVER.
 - COPLANARITY: 0.10 MAX. (BEFORE SOLDERING)



MATING: ① INSERTING(25°) → ② ROTATING → ③ FIXED
 UNMATING: ④ UNFIXED → ⑤ ROTATING → ⑥ WITHDRAWING

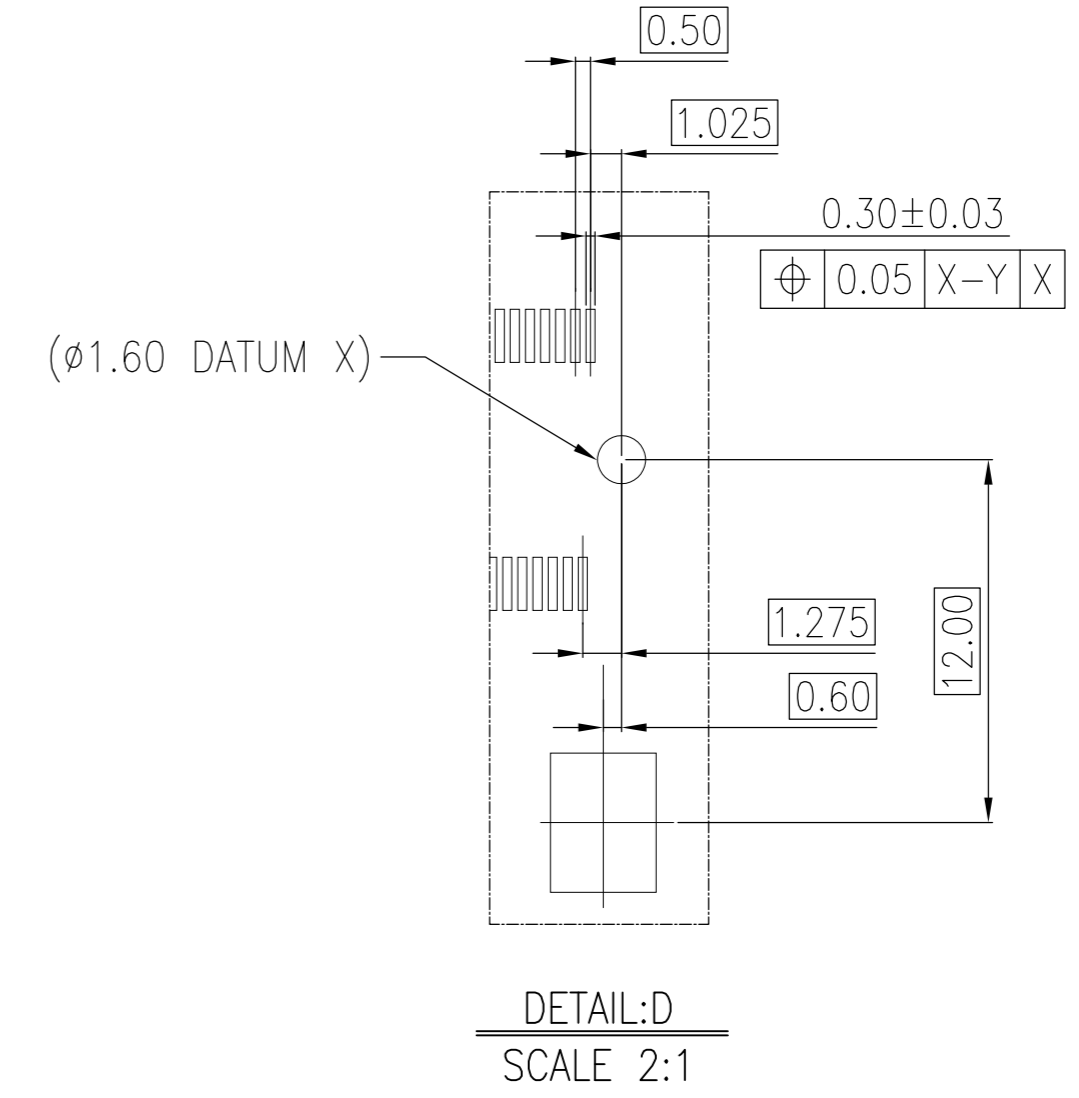
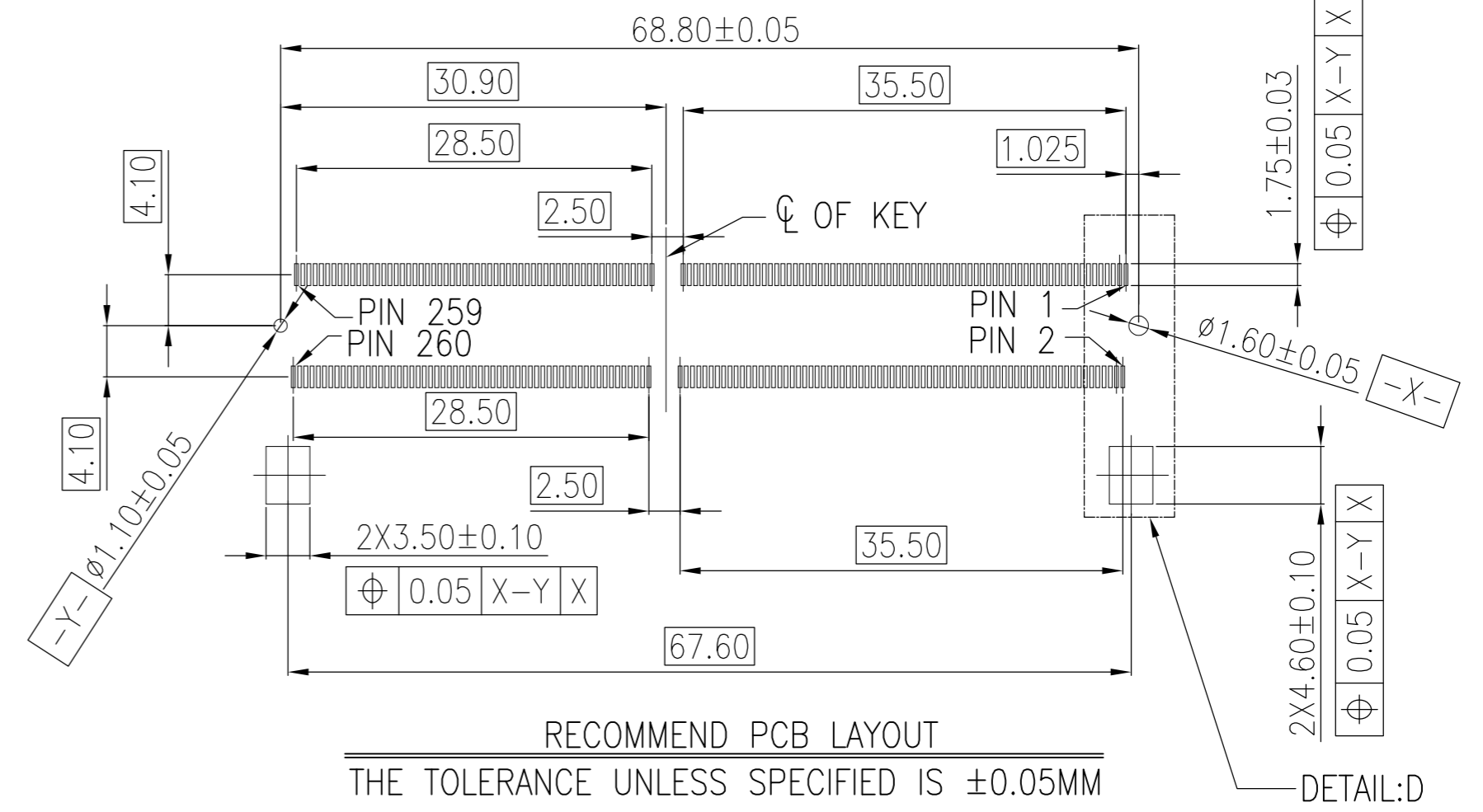
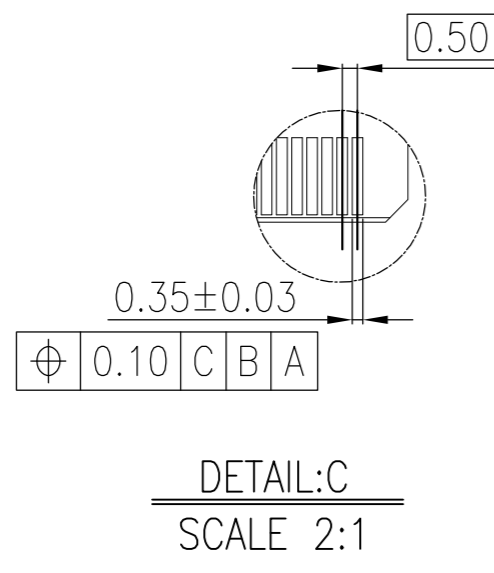
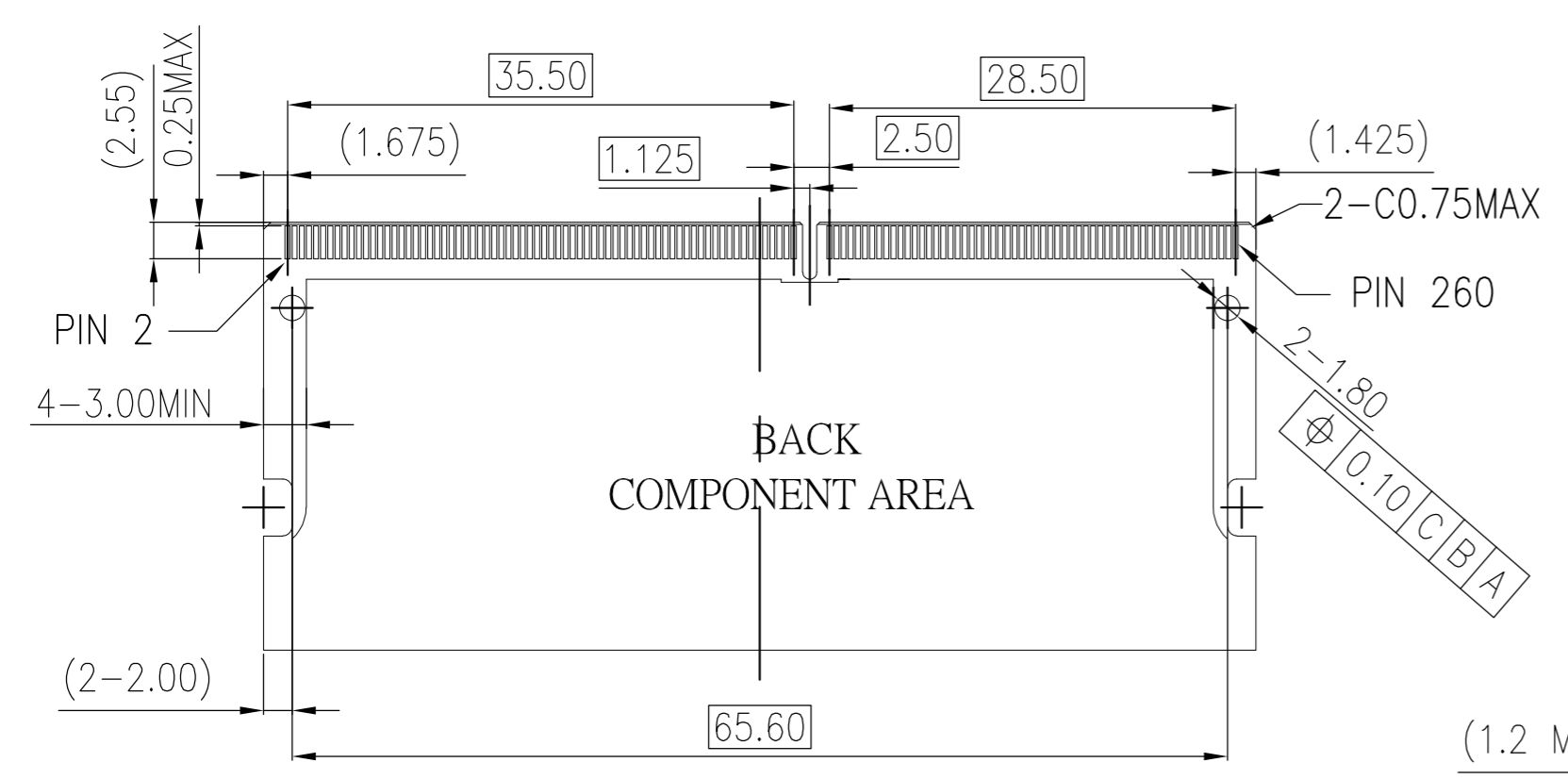
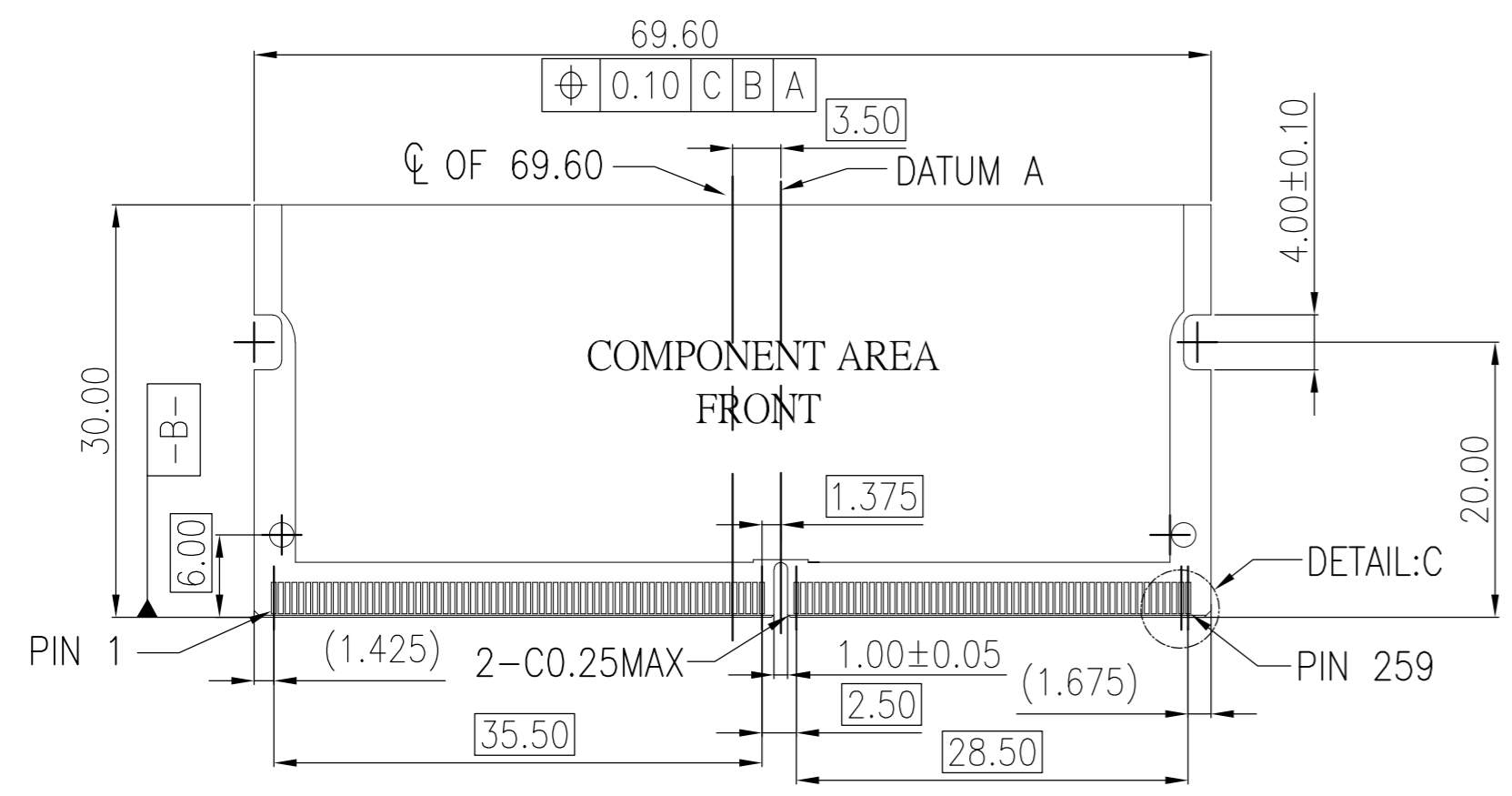


SECTION: A-A
SCALE 2:1

TAPE&REEL	BLACK	1.2V	30u"	260	2309407-5
TAPE&REEL	BLACK	1.2V	15u"	260	2309407-4
TAPE&REEL	BLACK	1.2V	10u"	260	2309407-3
TAPE&REEL	BLACK	1.2V	5u"	260	2309407-2
TAPE&REEL	BLACK	1.2V	GF	260	2309407-1
PACKING TYPE	HOUSING COLOR	POWER SUPPLY	FINISH	POS	PART NO.

THIS DRAWING IS A CONTROLLED DOCUMENT.		DWN DAVID ZHAO 09SEP2016			
DIMENSIONS: mm		CHK RICHARD MA 09SEP2016			
TOLERANCES UNLESS OTHERWISE SPECIFIED:		APVD SIMON LI 05SEP2016	NAME		
0 PLC ± -		PRODUCT SPEC 108-115122	DDR4 SODIMM SOCKET		
1 PLC ± 0.25		APPLICATION SPEC	0.5mm PITCH 260POS		
2 PLC ± 0.15			4.0mm HEIGHT STANDARD TYPE		
3 PLC ± 0.10			SIZE	CAGE CODE	DRAWING NO
4 PLC ± -			A2	00779	C=2309407
ANGLES ± -			RESTRICTED TO		
FINISH		WEIGHT 3.1g	SCALE 1:1 SHEET 1 of 3 REV 3		
MATERIAL		CUSTOMER DRAWING			

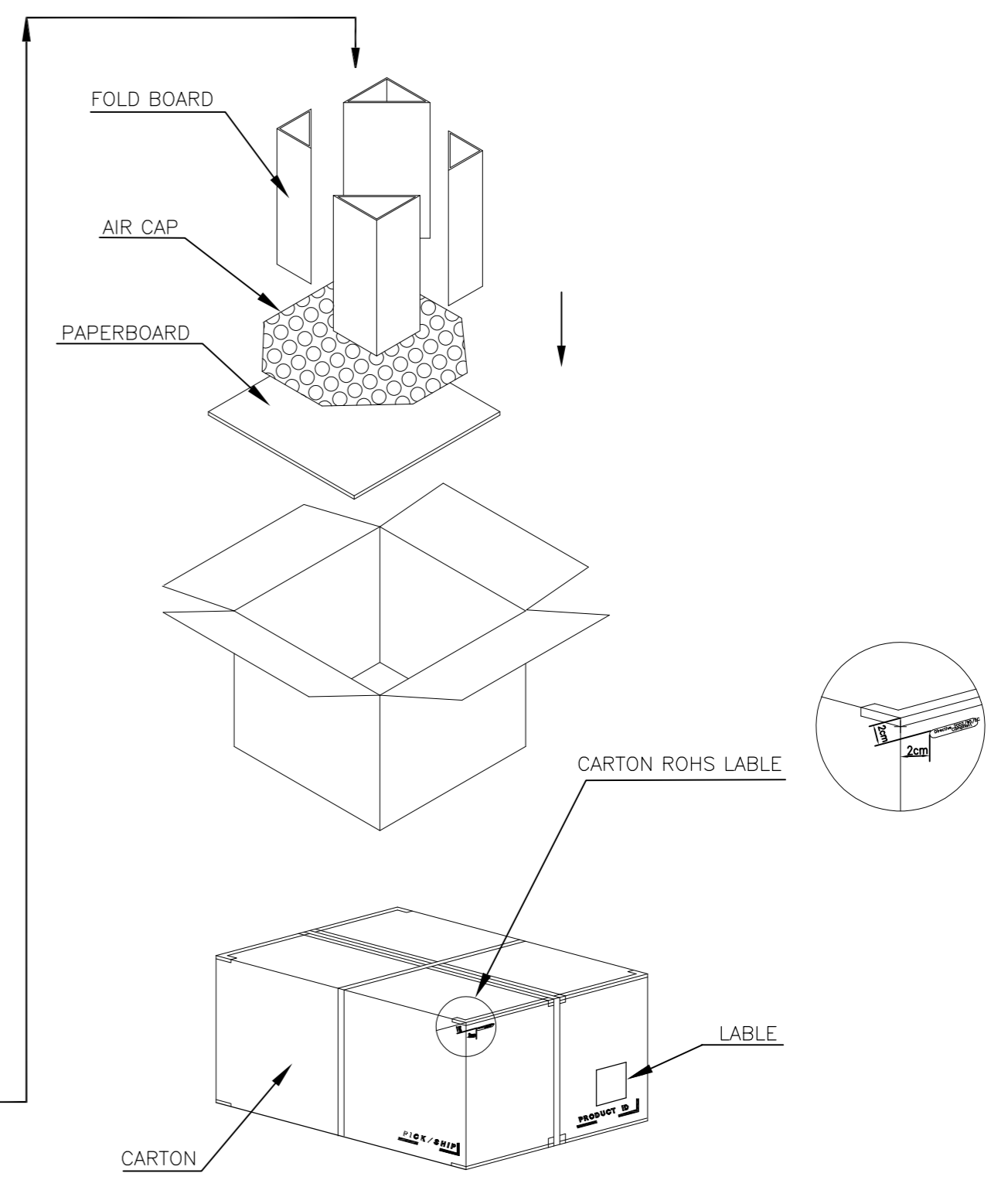
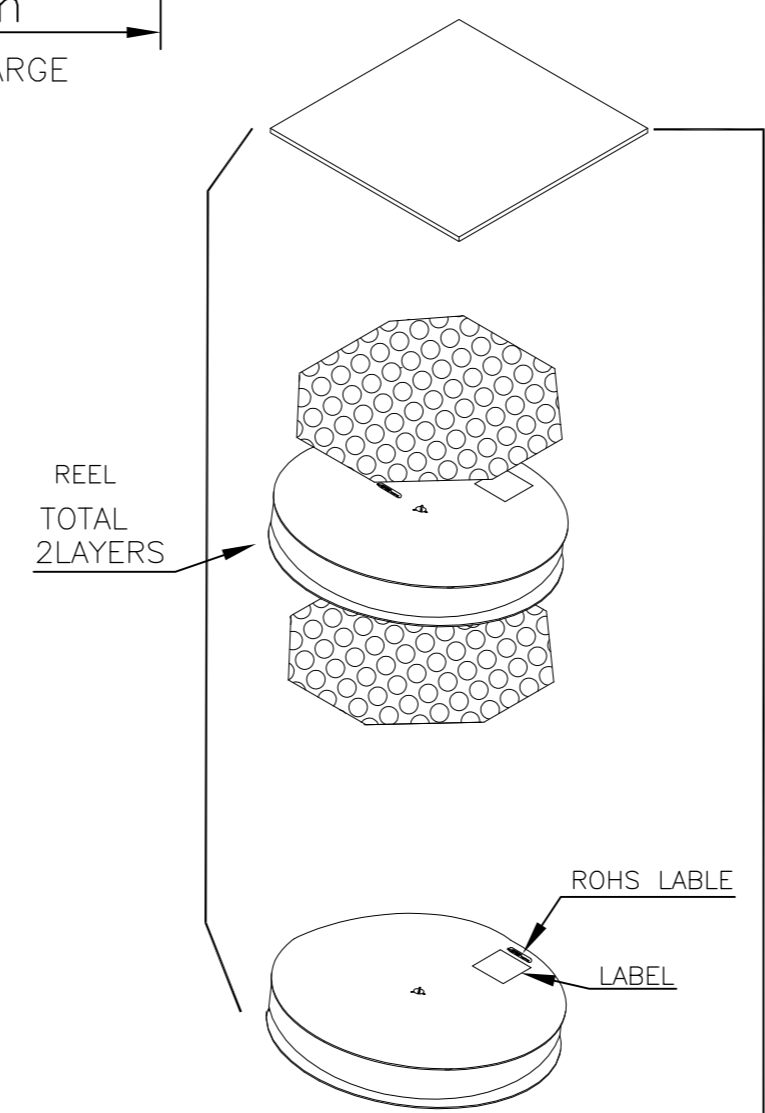
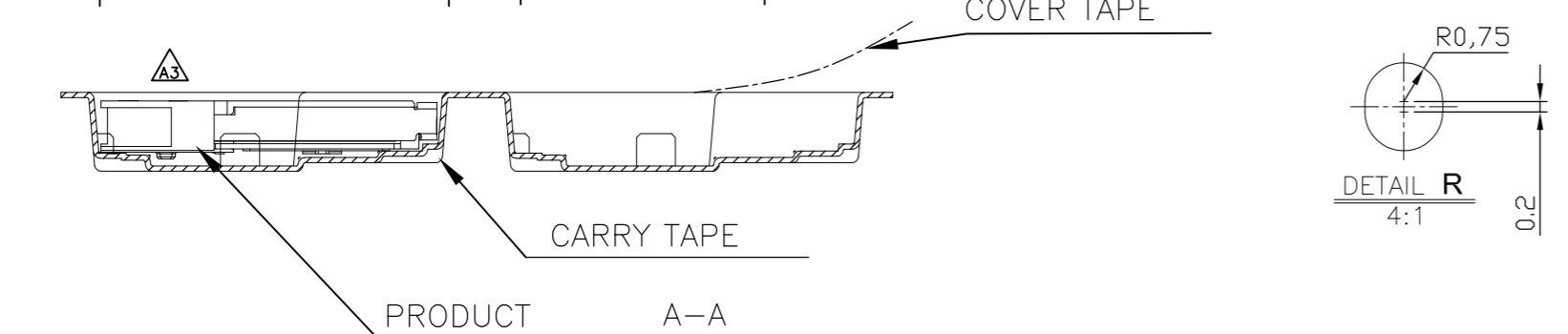
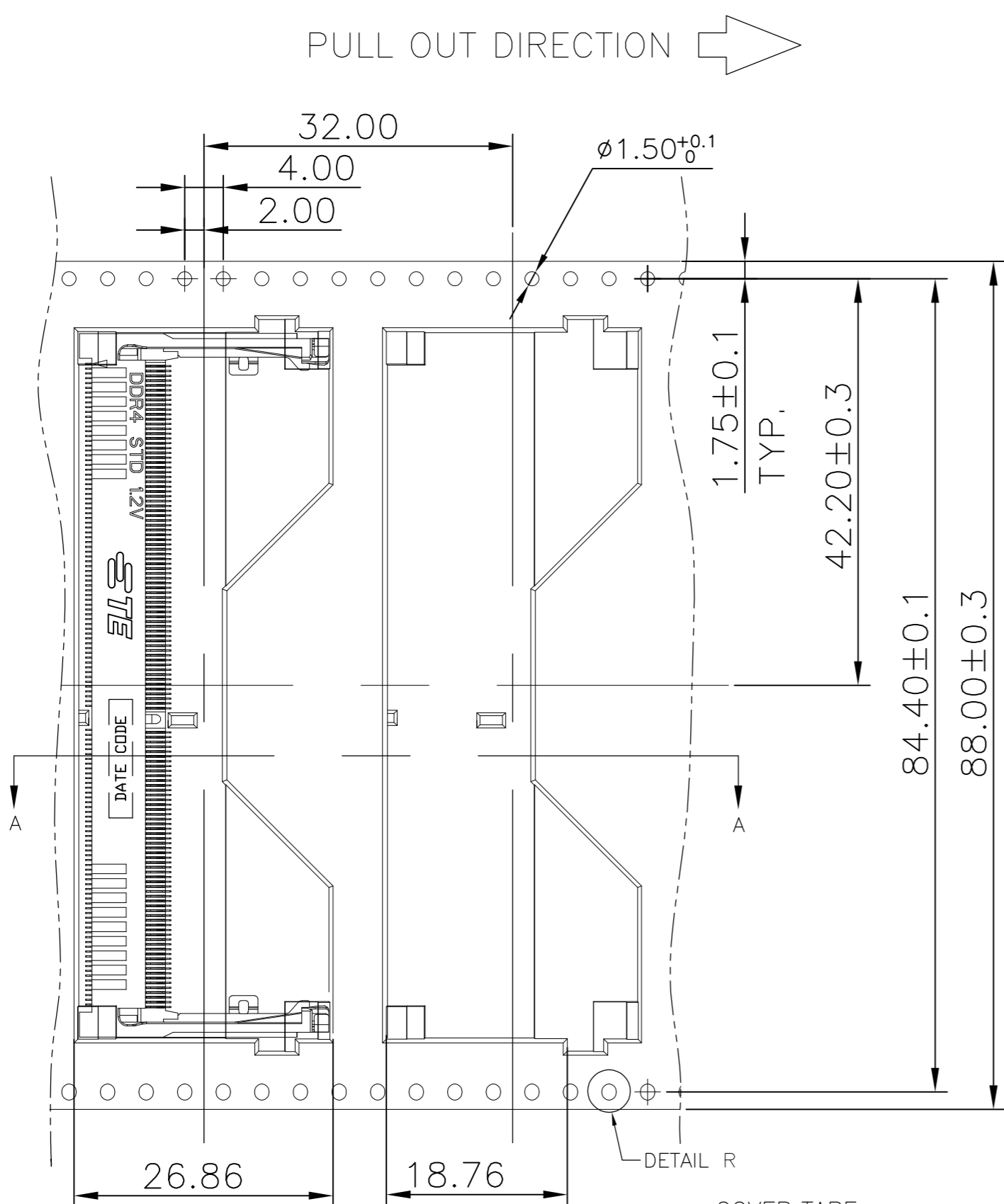
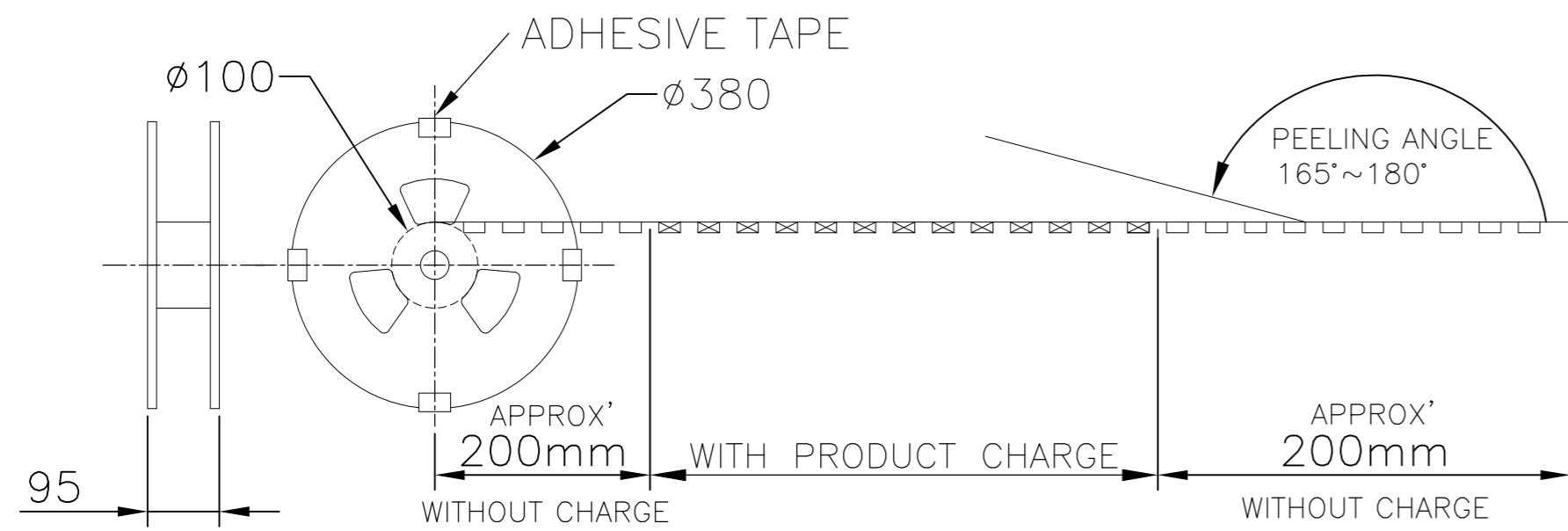
REVISIONS				
P	LTR	DESCRIPTION	DATE	APVD
-	-		-	-



THIS DRAWING IS A CONTROLLED DOCUMENT.		DWN DAVID ZHAO 09SEP2016		TE Connectivity		
DIMENSIONS: mm		CHK RICHARD MA 09SEP2016		NAME		
TOLERANCES UNLESS OTHERWISE SPECIFIED:		APVD SIMON LI 09SEP2016		DDR4 SODIMM SOCKET		
0 PLC ± 1 PLC ± 2 PLC ± 3 PLC ± 4 PLC ± ANGLES ± FINISH ±		PRODUCT SPEC		0.5mm PITCH 260POS		
MATERIAL		APPLICATION SPEC	4.0mm HEIGHT STANDARD TYPE			
		WEIGHT	SIZE A2	CAGE CODE 00779	DRAWING NO. C=2309407	RESTRICTED TO
		CUSTOMER DRAWING	SCALE 1:1	SHEET 2 OF 3	REV 3	

THIS DRAWING IS UNPUBLISHED. RELEASED FOR PUBLICATION
 © COPYRIGHT 2016 By TE connectivity ALL RIGHTS RESERVED.

REVISIONS					
P	LTR	DESCRIPTION	DATE	DWN	APVD
-	-		-	-	-



450	2	900	*-2309407-*
PCS/REEL	REEL/CARTON	PCS/CARTON	PART NUMBER

THIS DRAWING IS A CONTROLLED DOCUMENT.		DWN DAVID ZHAO 09SEP2016		
DIMENSIONS: mm		CHK RICHARD MA 09SEP2016		
TOLERANCES UNLESS OTHERWISE SPECIFIED		APVD SIMON LI 05SEP2016	NAME	
0 PLC ±		PRODUCT SPEC	DDR4 SODIMM SOCKET	
1 PLC ± -		APPLICATION SPEC	0.5mm PITCH 260POS	
2 PLC ± -		WEIGHT	4.0mm HEIGHT STANDARD TYPE	
3 PLC ± -		CUSTOMER DRAWING	SIZE A2	RESTRICTED TO
4 PLC ± -		SCALE -	CAGE CODE 00779	DRAWING NO C=2309407
ANGLES ± -		SHEET 3 of 3	REV 3	
FINISH				

X-ON Electronics

Largest Supplier of Electrical and Electronic Components

Click to view similar products for [DIMM Connectors](#) category:

Click to view products by [TE Connectivity](#) manufacturer:

Other Similar products are found below :

[1-1932649-2](#) [1-1761024-0](#) [2309411-5](#) [1932180-2](#) [0783590111](#) [0783590001](#) [0877051053](#) [10079248-11103LF](#) [10086891-052TSLF](#)
[10116658-252ASLF](#) [59355-052FSLF](#) [5390471-1](#) [10074146-13211LF](#) [10079248-10202LF](#) [2309407-3](#) [10033853-052ASLF](#) [87782-6003](#) [KIT-](#)
[SODIMM-1X16GB/01](#) [0780350001](#) [0878030012](#) [75.963AT.G020C](#) [78.B1GDE.AF1](#) [10078239-11103LF](#) [6-390322-1](#) [2013311-1](#) [2309410-1](#)
[10116658-052FSLF](#) [10116658-152FSLF](#) [1-1735438-3](#) [78730-1002](#) [78726-1002](#) [2013310-1](#) [390111-1](#) [1735438-3](#) [78373-0011](#) [2308107-1](#) [2-](#)
[2308107-1](#) [2309411-1](#) [5-1746530-4](#) [2309408-1](#) [2309409-1](#) [2309412-1](#) [151134-0001](#) [2309413-1](#) [296406200001856+](#) [2309407-1](#) [FCN-](#)
[074J240-G/1D](#) [FCN-074B288-G/2D](#) [2309414-1](#) [10081530-12208LF](#)