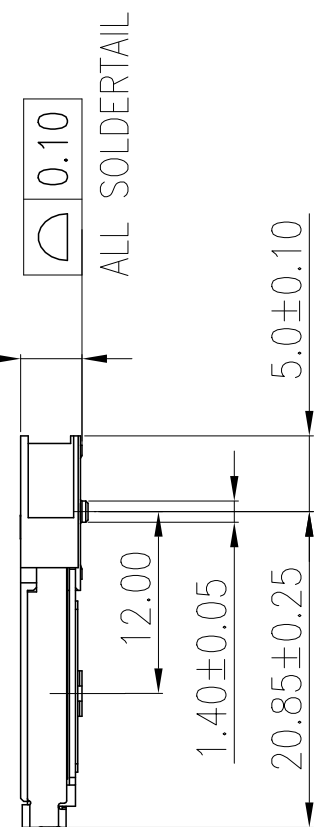
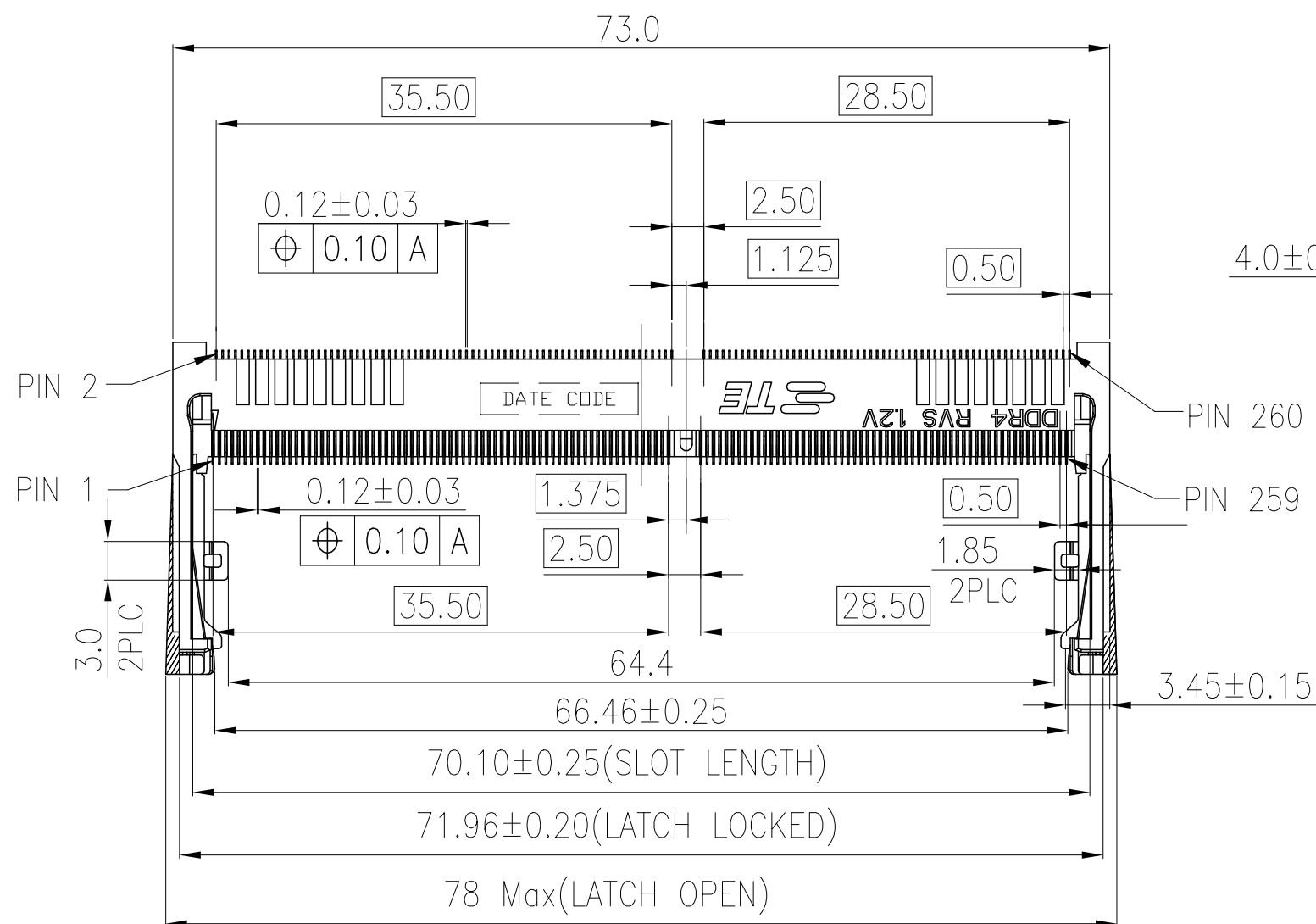
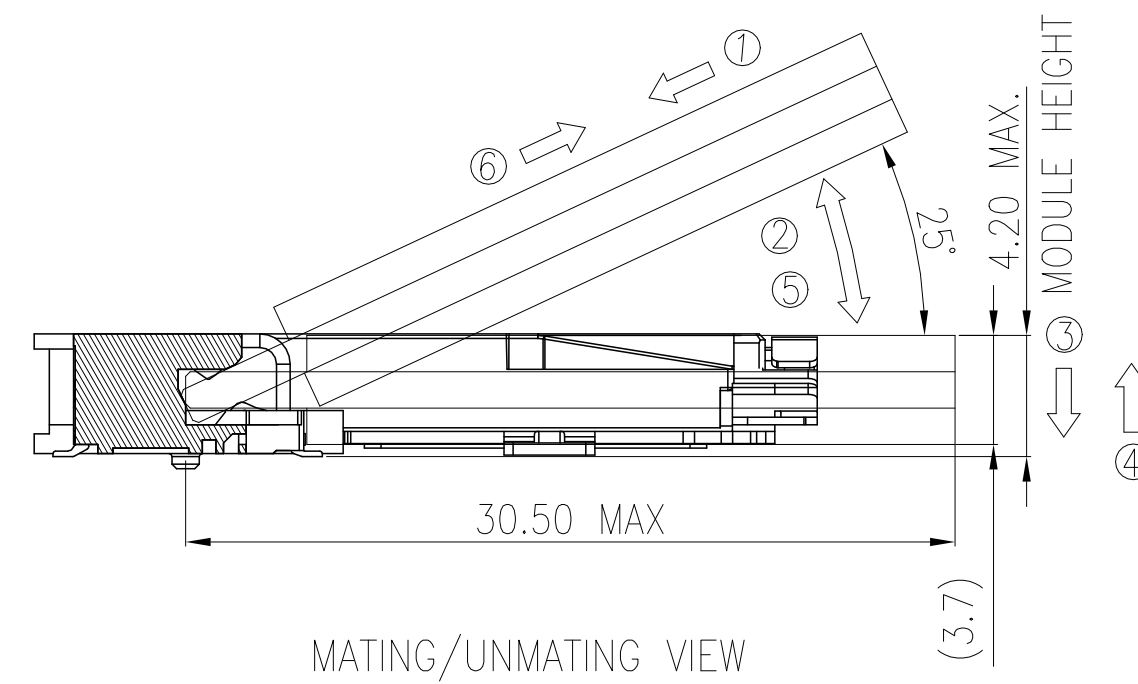
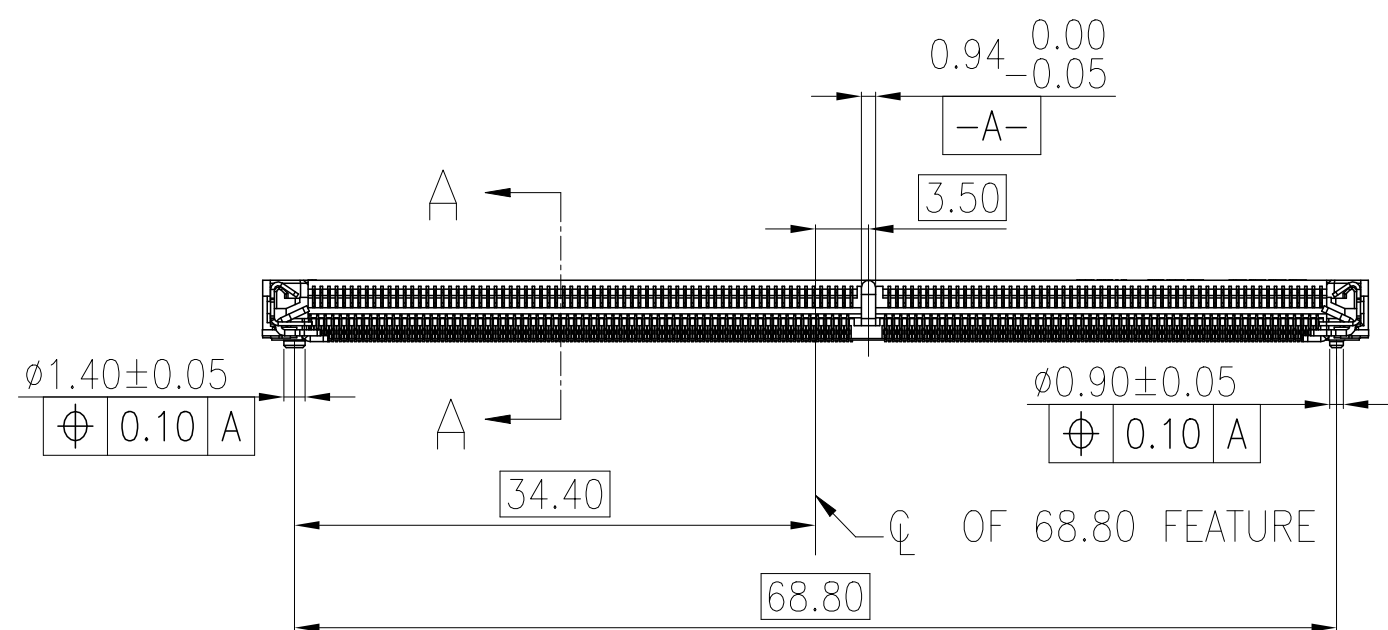


REVISIONS					
P	LTR	DESCRIPTION	DATE	DWN	APVD
4		CHANGE DIM 0.80 TO 0.74 +/-0.08	16NOV2020	SS	DZ

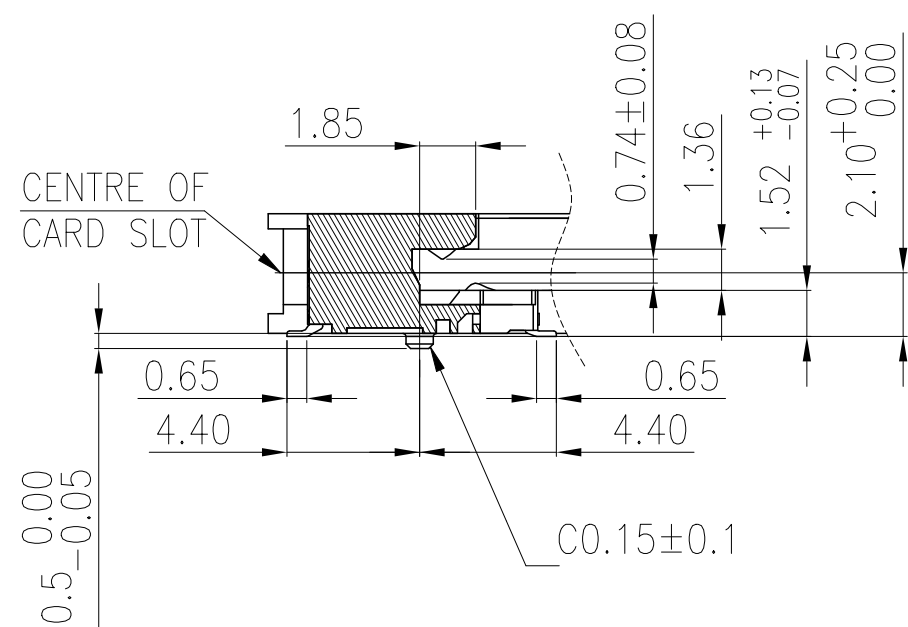


NOTES:

- MATERIAL:
 - HOUSING: HIGH TEMPERATURE THERMO PLASTIC, UL94V-0, COLOR: BLACK.
 - CONTACT: COPPER ALLOY.
 - SOLDER PEG AND LATCH: STAINLESS STEEL.
- FINISH:
 - SOLDER PEG: GOLD FLASH ON 50u" MIN NICKEL UNDERPLATED ALL OVER.
 - CONTACT SOLDER AREA: GOLD FLASH ON SOLDER TAIL.
 - CONTACT AREA: GOLD FLASH ON 50u" MIN NICKEL UNDERPLATED ALL OVER.
 - CONTACT AREA: 5u" ON 50u" MIN NICKEL UNDERPLATED ALL OVER.
 - CONTACT AREA: 10u" ON 50u" MIN NICKEL UNDERPLATED ALL OVER.
 - CONTACT AREA: 15u" ON 50u" MIN NICKEL UNDERPLATED ALL OVER.
 - CONTACT AREA: 30u" ON 50u" MIN NICKEL UNDERPLATED ALL OVER.
- COPLANARITY: 0.10 MAX. (BEFORE SOLDERING)



MATING: ① INSERTING (25°) → ② ROTATING → ③ FIXED
 UNMATING: ④ UNFIXED → ⑤ ROTATING → ⑥ WITHDRAWING

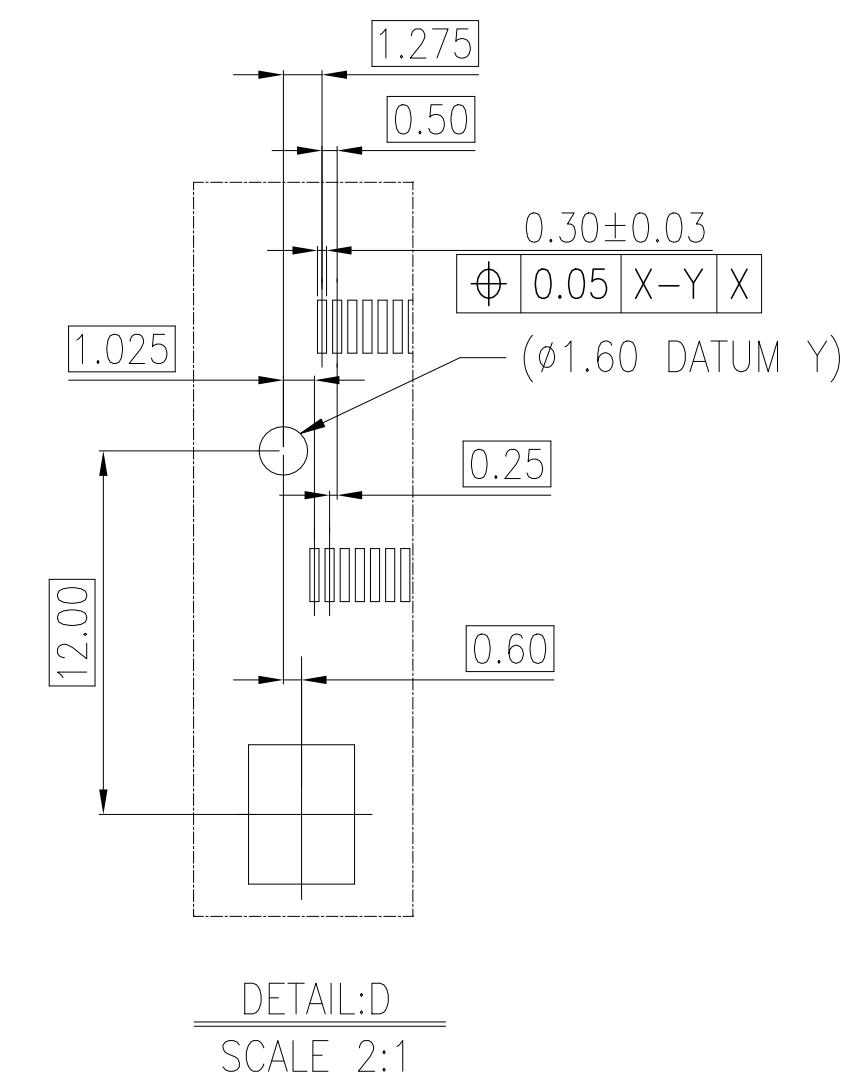
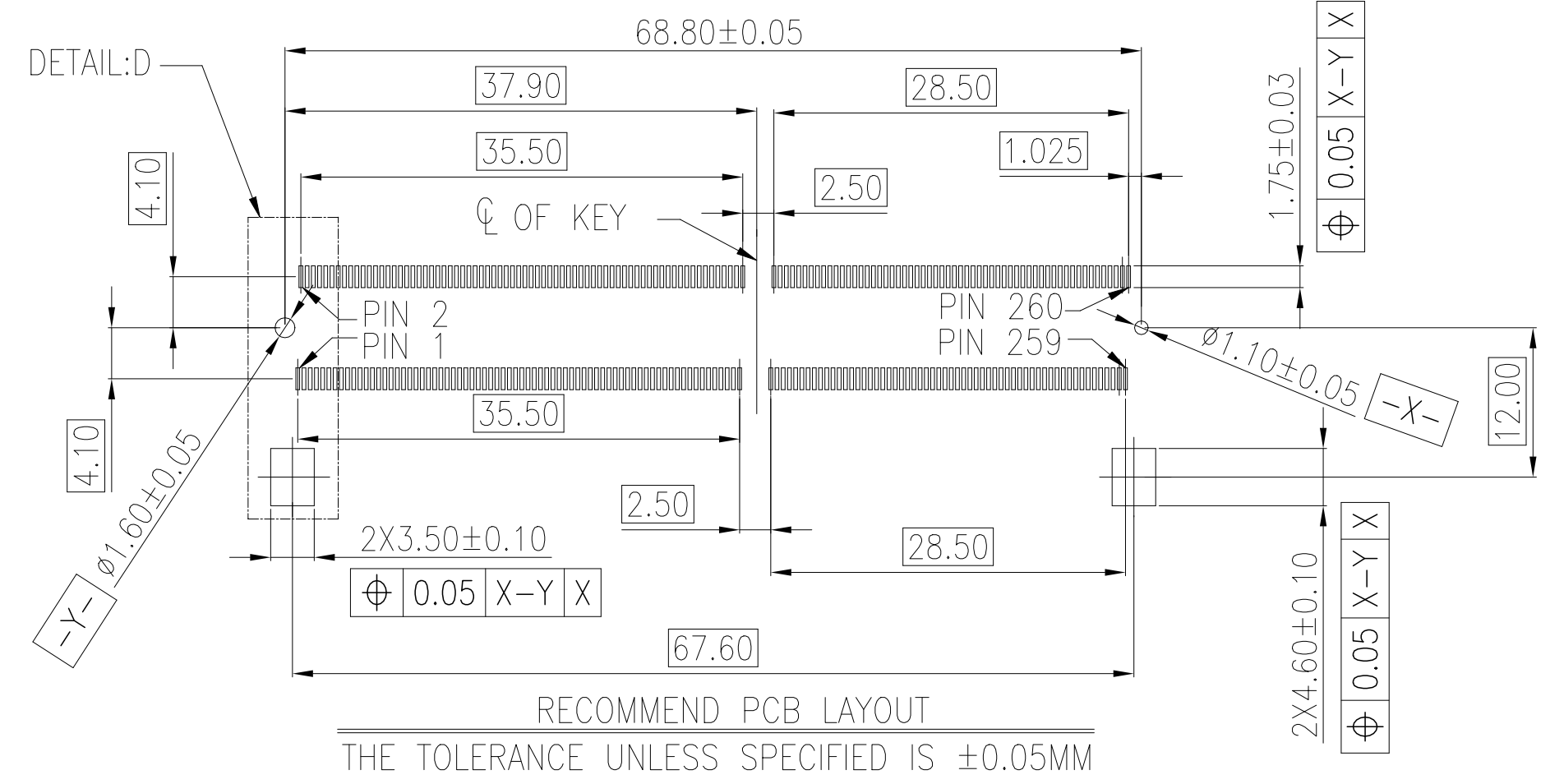
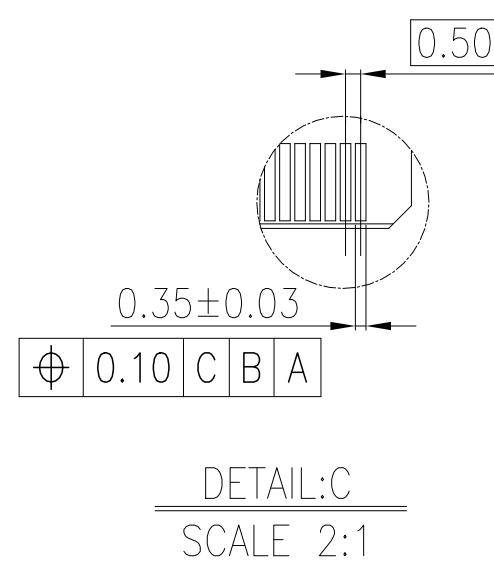
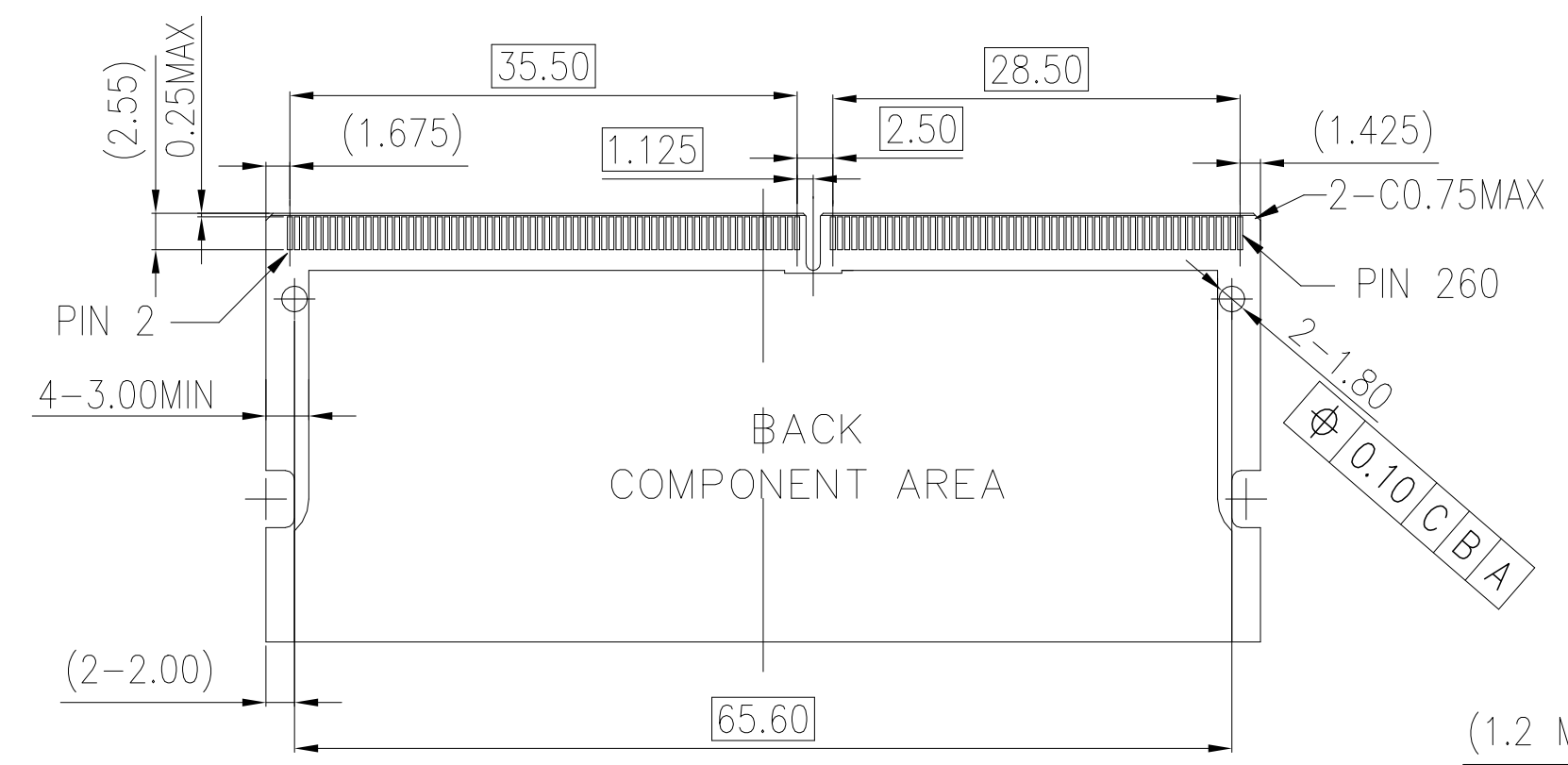
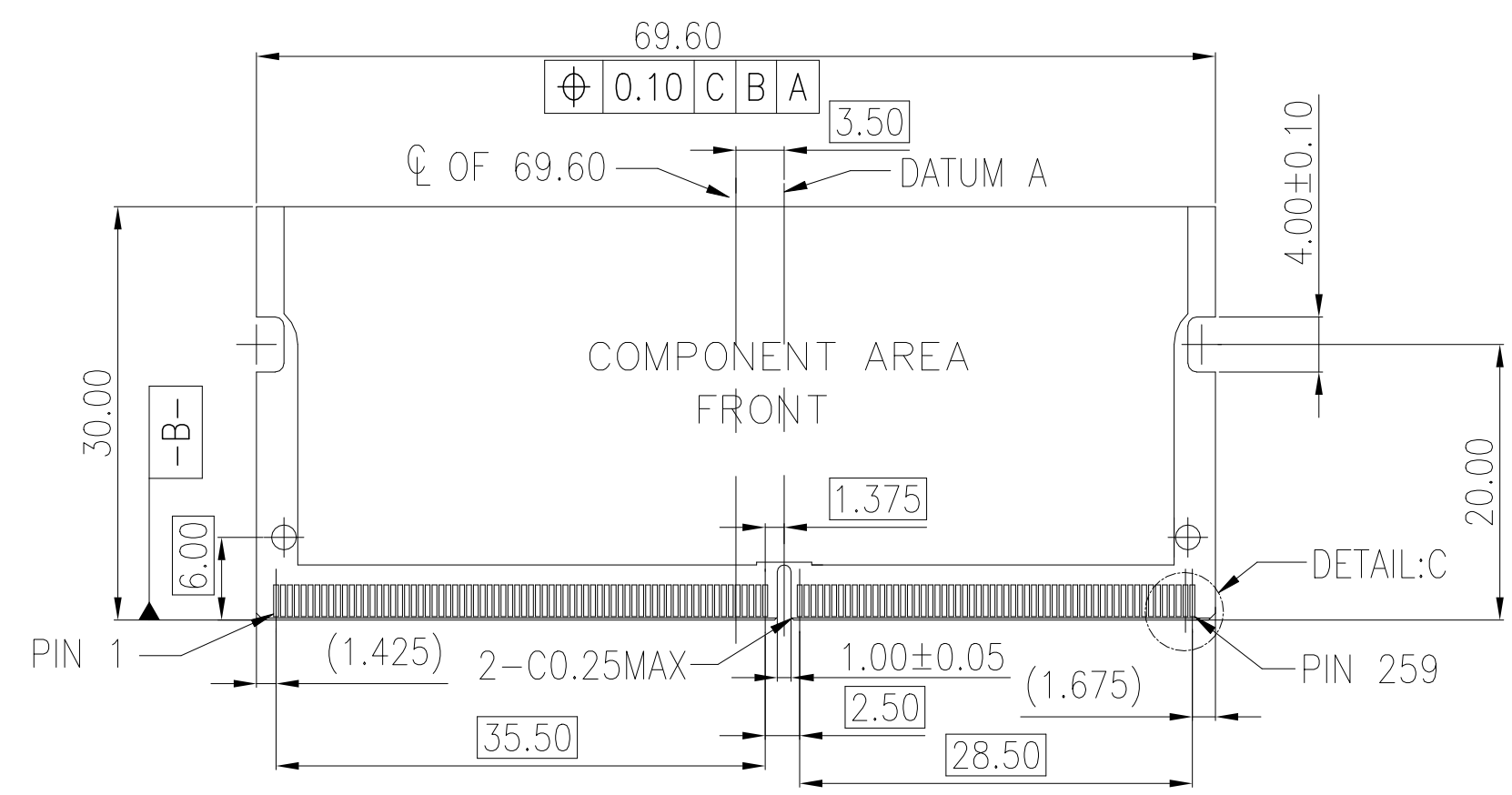


SECTION: A-A
 SCALE 2:1

TAPE&REEL	HOUSING COLOR	POWER SUPPLY	FINISH	POS	PART NO.
TAPE&REEL	BLACK	1.2V	30u"	260	2309408-5
TAPE&REEL	BLACK	1.2V	15u"	260	2309408-4
TAPE&REEL	BLACK	1.2V	10u"	260	2309408-3
TAPE&REEL	BLACK	1.2V	5u"	260	2309408-2
TAPE&REEL	BLACK	1.2V	GF	260	2309408-1

THIS DRAWING IS A CONTROLLED DOCUMENT.		DWN DAVID ZHAO 09SEP2016			
DIMENSIONS: mm		CHK RICHARD MA 09SEP2016			
TOLERANCES UNLESS OTHERWISE SPECIFIED:		APVD SIMON LI 09SEP2016	NAME		
0 PLC ± -		108-115122		DDR4 SODIMM SOCKET	
1 PLC ± 0.25		APPLICATION SPEC		0.5mm PITCH 260POS	
2 PLC ± 0.15		WEIGHT		4.0mm HEIGHT REVERSE TYPE	
3 PLC ± 0.10		SIZE		RESTRICTED TO	
4 PLC ± -		A2 00779		C=2309408	
ANGLES ± -		CUSTOMER DRAWING		SCALE 1:1 SHEET 1 of 3 REV 4	
FINISH		DRAWING NO			

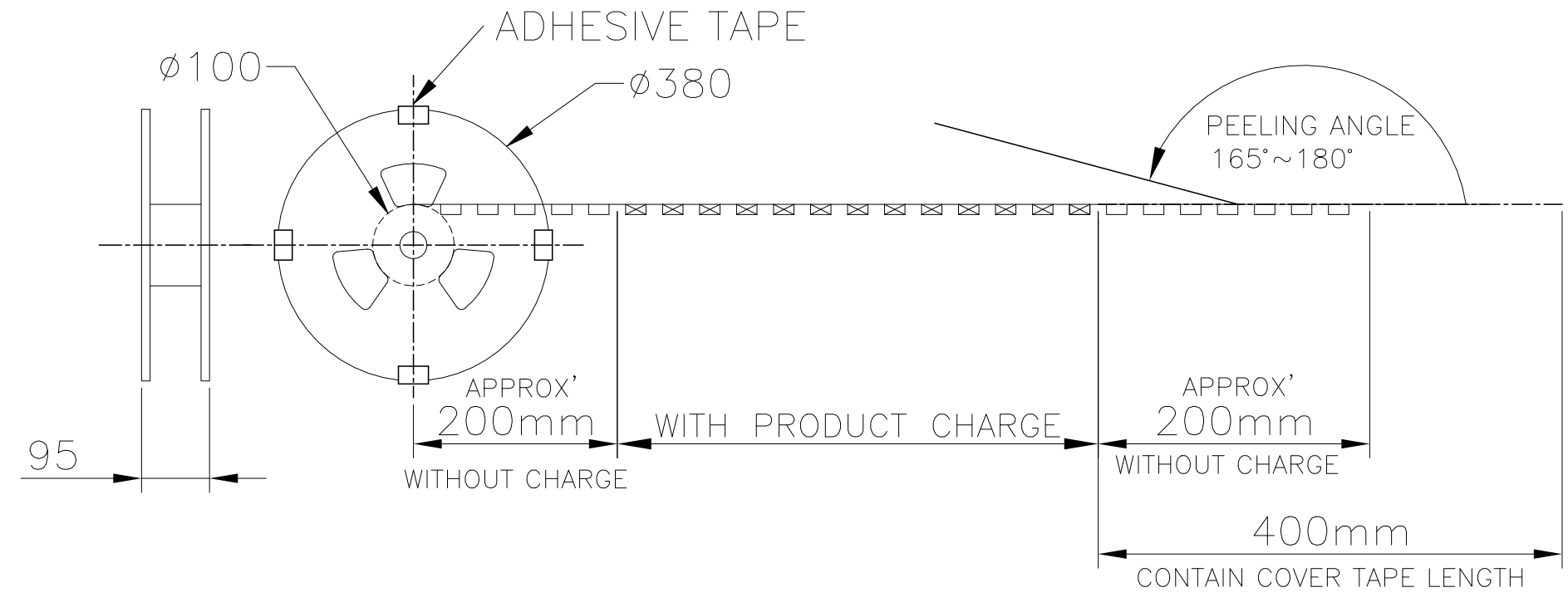
REVISIONS					
P	LTR	DESCRIPTION	DATE	DWN	APVD
-	-	-	-	-	-



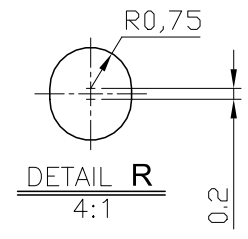
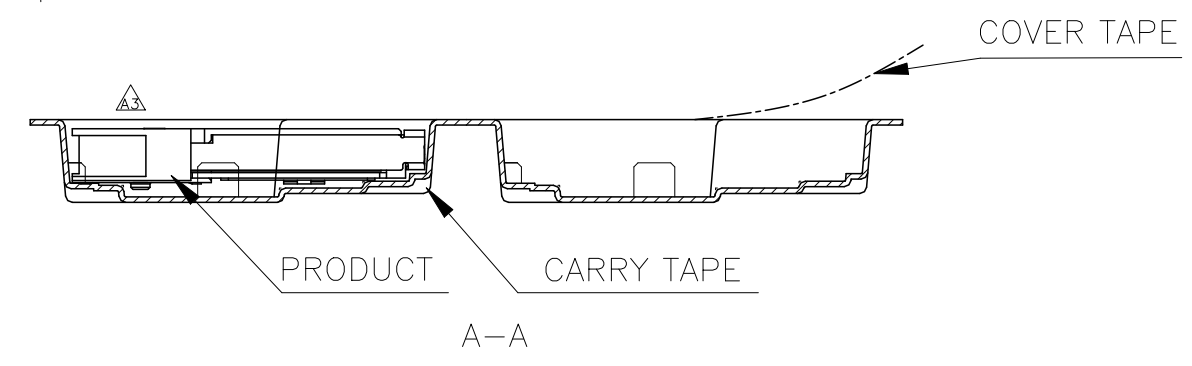
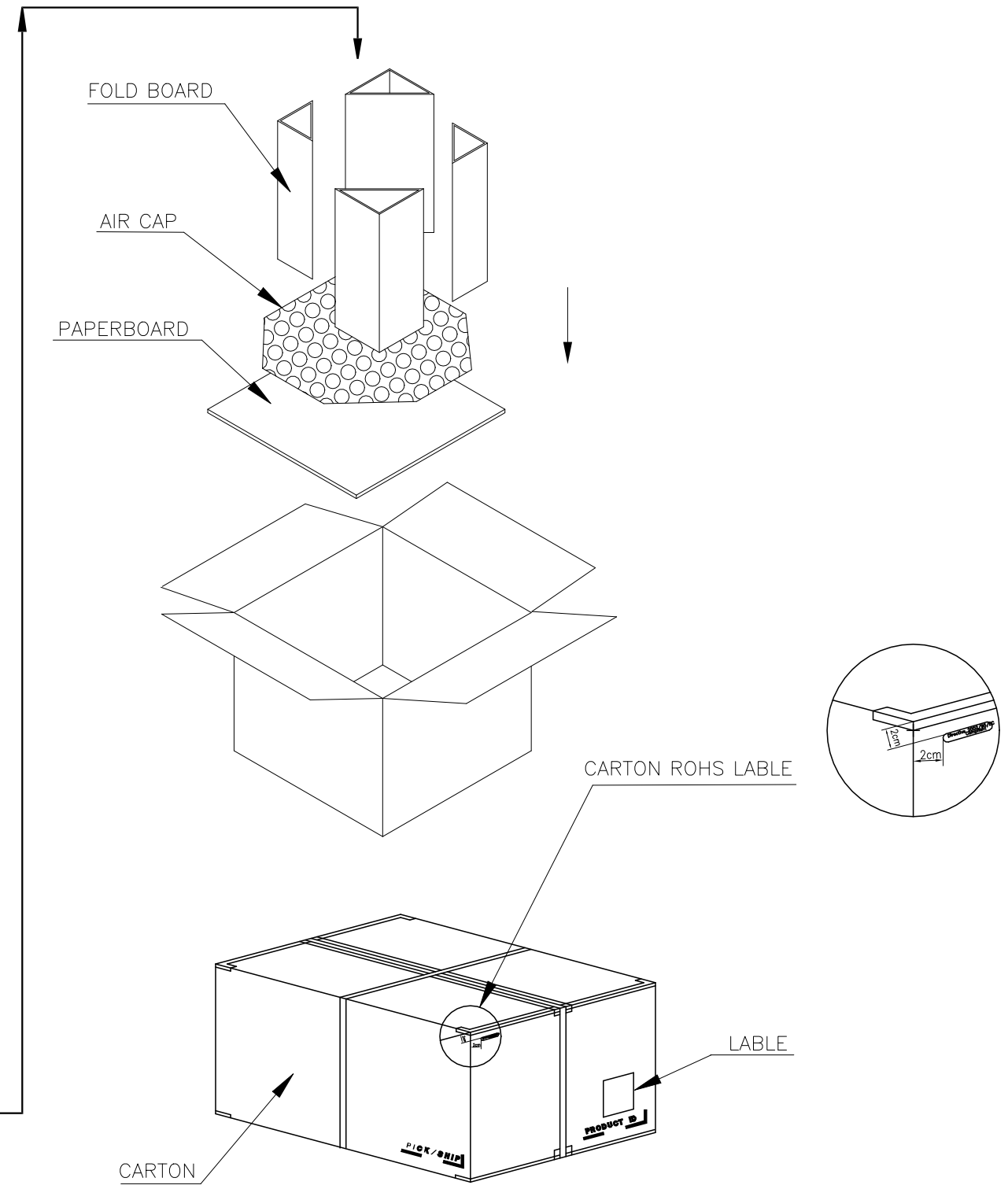
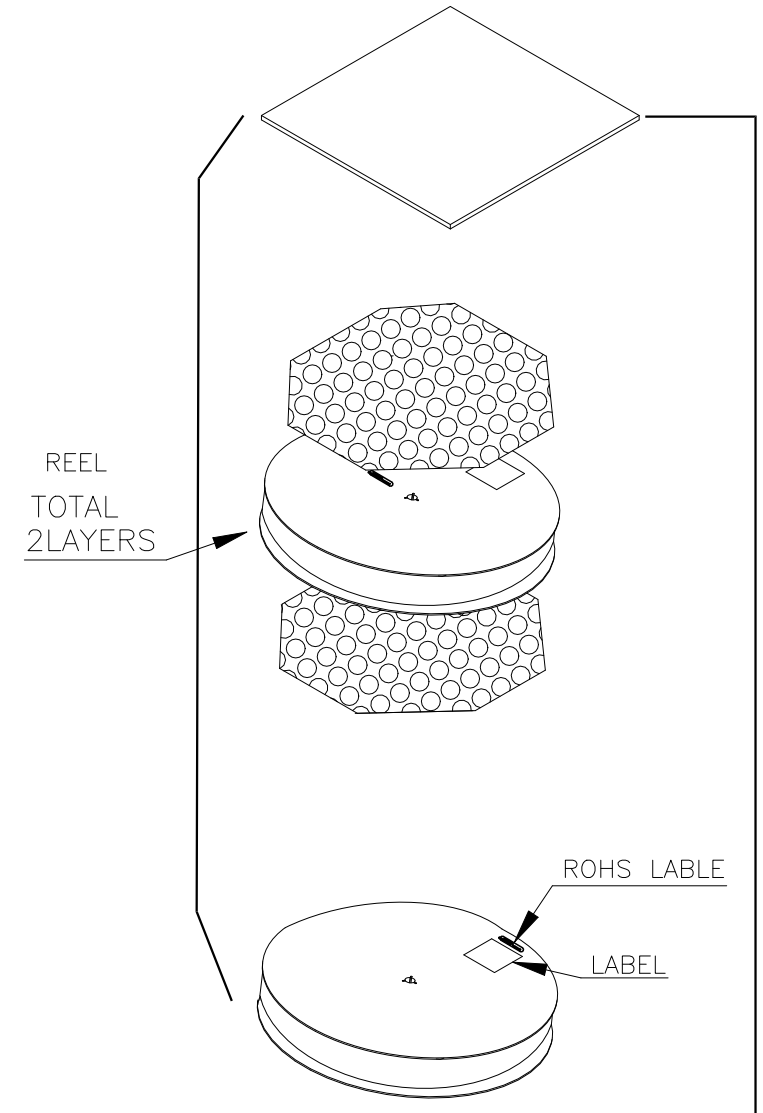
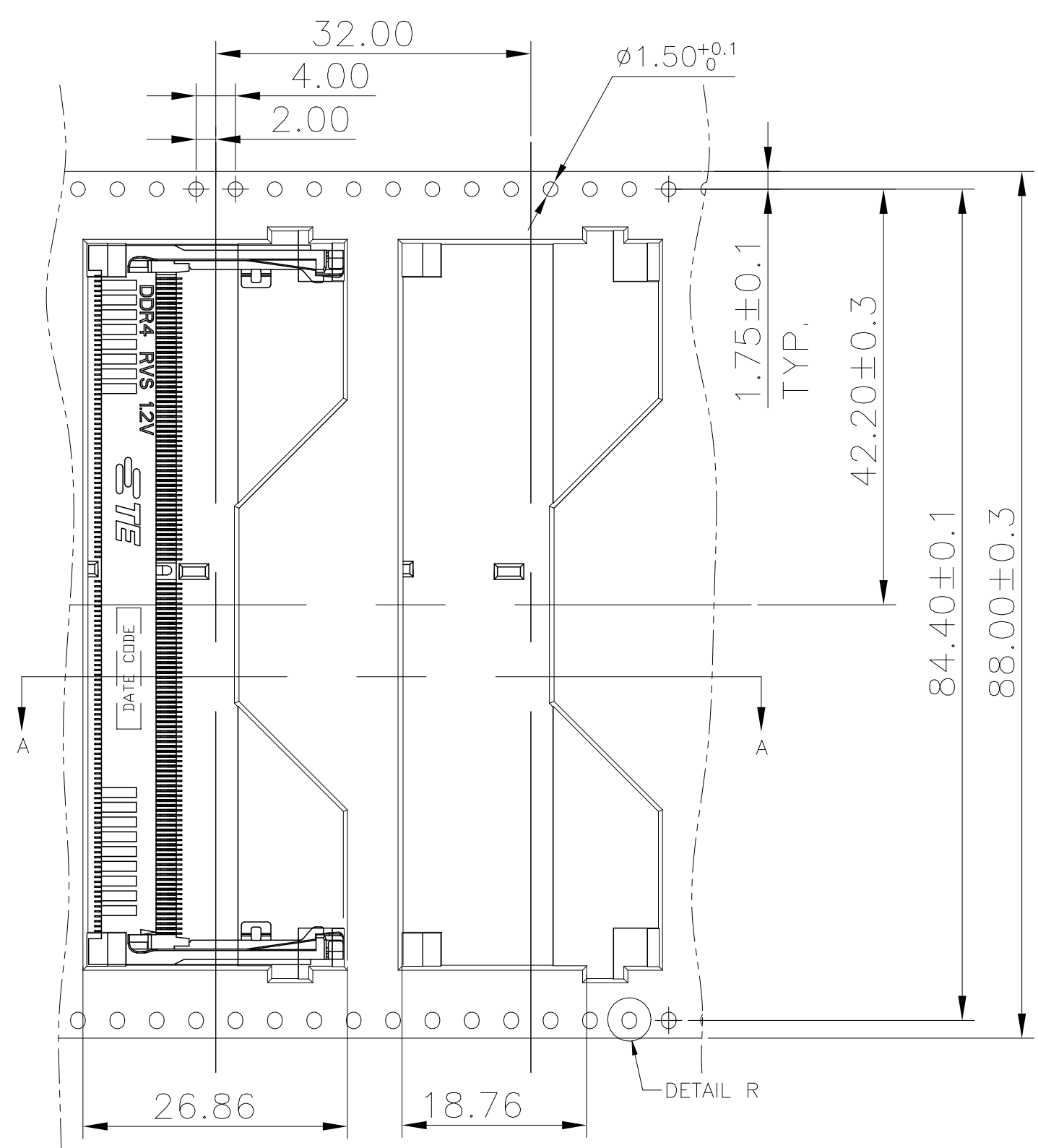
THIS DRAWING IS A CONTROLLED DOCUMENT.		DWN DAVID ZHAO 09SEP2016	 TE Connectivity
DIMENSIONS: mm		CHK RICHARD MA 09SEP2016	
TOLERANCES UNLESS OTHERWISE SPECIFIED:		APVD SIMON LI 09SEP2016	NAME
0 PLC ±	1 PLC ±	PRODUCT SPEC	DDR4 SODIMM SOCKET
2 PLC ±	3 PLC ±	APPLICATION SPEC	0.5mm PITCH 260POS
4 PLC ±	ANGLES ±	WEIGHT	4.0mm HEIGHT REVERSE TYPE
MATERIAL	FINISH	CUSTOMER DRAWING	SIZE A2
		SCALE 1:1	CAGE CODE 00779
		SHEET 2 OF 3	DRAWING NO. C=2309408
		REV 4	RESTRICTED TO

THIS DRAWING IS UNPUBLISHED. RELEASED FOR PUBLICATION
 © COPYRIGHT 2016 By TE connectivity ALL RIGHTS RESERVED.

REVISIONS					
P	LTR	DESCRIPTION	DATE	DWN	APVD
-	-		-	-	-



PULL OUT DIRECTION →



450	2	900	*-2309408-*
PCS/REEL	REEL/CARTON	PCS/CARTON	PART NUMBER

THIS DRAWING IS A CONTROLLED DOCUMENT.		DWN DAVID ZHAO 09SEP2016	 TE Connectivity
DIMENSIONS: mm		CHK RICHARD MA 09SEP2016	
TOLERANCES UNLESS OTHERWISE SPECIFIED:		APVD SIMON LI 09SEP2016	NAME
0 PLC ±	1 PLC ±	PRODUCT SPEC	DDR4 SODIMM SOCKET
2 PLC ±	3 PLC ±	APPLICATION SPEC	0.5mm PITCH 260POS
4 PLC ±	ANGLES ±	WEIGHT	4.0mm HEIGHT REVERSE TYPE
MATERIAL	FINISH	CUSTOMER DRAWING	SIZE A2
			CAGE CODE 00779
			DRAWING NO C=2309408
			RESTRICTED TO
			SCALE - SHEET 3 of 3 REV 4

X-ON Electronics

Largest Supplier of Electrical and Electronic Components

Click to view similar products for [DIMM Connectors](#) category:

Click to view products by [TE Connectivity](#) manufacturer:

Other Similar products are found below :

[1-1932649-2](#) [1-1761024-0](#) [2309411-5](#) [296409204002856+](#) [10116658-252ASLF](#) [5390471-1](#) [2309413-3](#) [78507-0061](#) [KIT-SODIMM-1X16GB/01](#) [10129206-0010013LF](#) [10086891-052TSLF](#) [10079192-11102LF](#) [10116658-152FSLF](#) [10129206-0011113LF](#) [1-2308107-0](#) [2013310-1](#) [2013289-1](#) [390111-1](#) [390112-1](#) [2309413-1](#) [2309407-1](#) [2309414-1](#) [10081530-12208LF](#) [151080-0001](#) [78726-1004](#) [10005639-11107LF](#) [10005639-11109LF](#) [10005639-12207LF](#) [10023061-10207LF](#) [10033853-252FSLF](#) [10033853-052ASLF](#) [10033853-052FSLF](#) [10033853-152FSLF](#) [10033854-052FSLF](#) [10034542-10002LF](#) [10037402-12207LF](#) [10081530-11107LF](#) [10081530-12207LF](#) [10081530-12218LF](#) [10124632-0030001LF](#) [10124806-01006LF](#) [10145891-0320J13LF](#) [10145226-0241N13LF](#) [59354-052FSLF](#) [59355-052FSLF](#) [DDR4288S0211TF](#) [DDR4288S0511H](#) [DDR4288S0511TF](#) [DDR4288V0123TF](#) [DDR4288V0213TF](#)