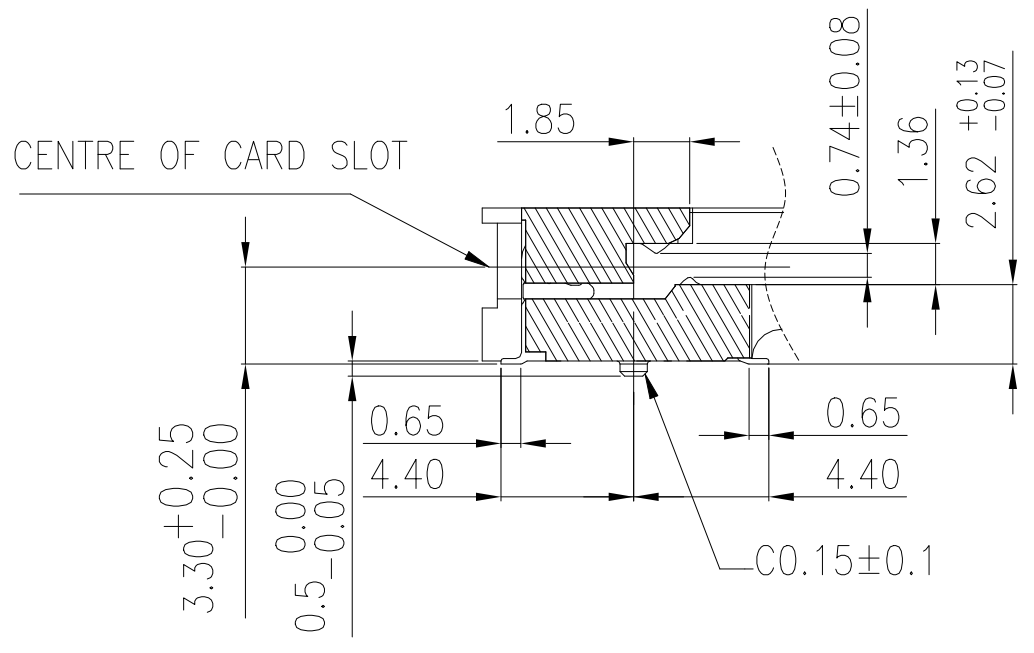
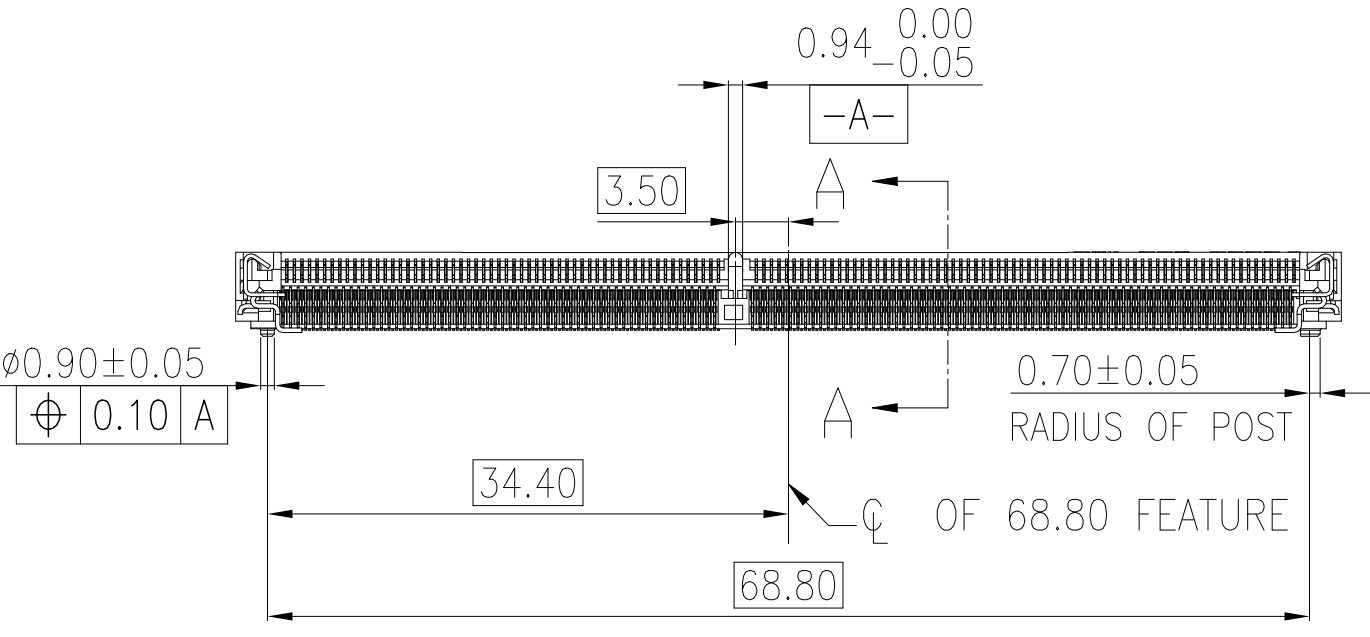
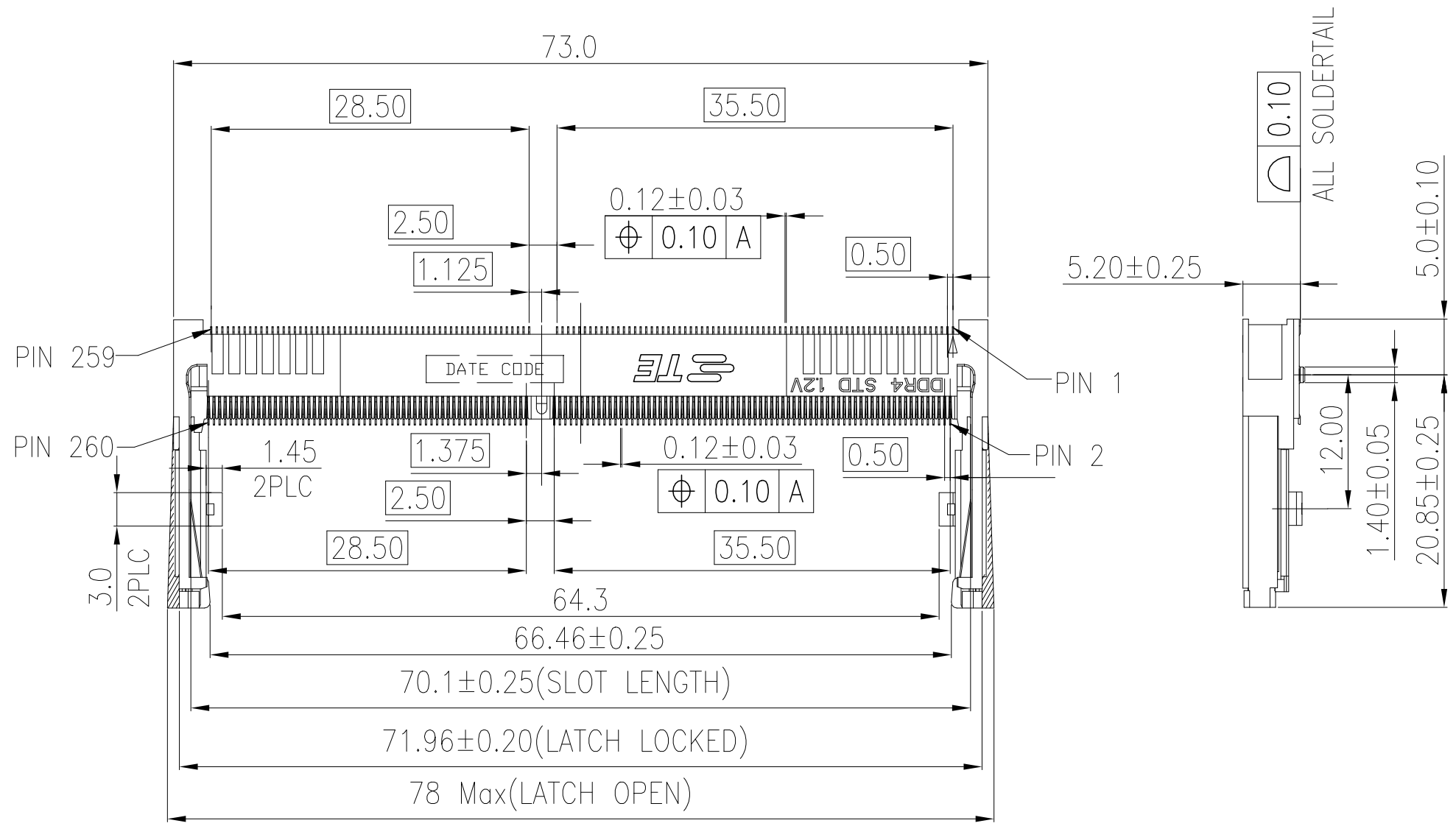
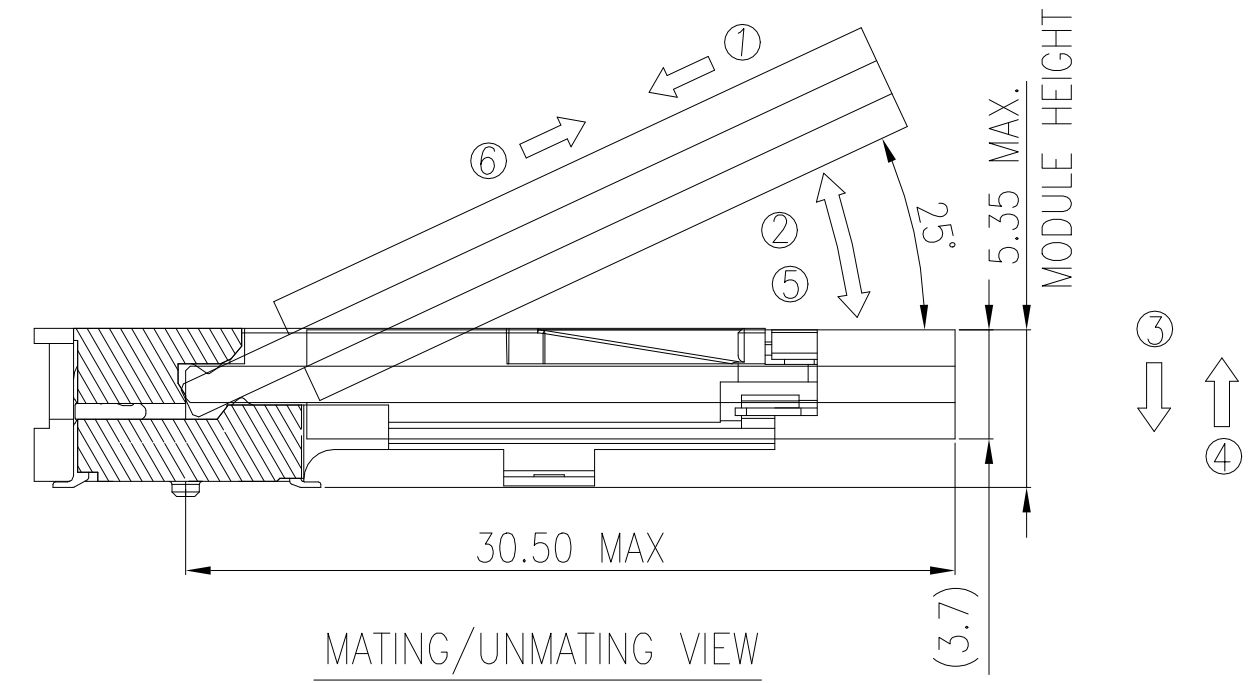


REVISIONS					
P	LTR	DESCRIPTION	DATE	DWN	APVD
5		CHANGE DIM 0.80 TO 0.74+/-0.08	16NOV2020	SS	DZ



SECTION:A-A
SCALE 2:1

- NOTES:
- MATERIAL:
 - HOUSING: HIGH TEMPERATURE THERMO PLASTIC,UL94V-0,COLOR:BLACK.
 - CONTACT: COPPER ALLOY.
 - SOLDER PEG AND LATCH:STAINLESS STEEL.
 - FINISH:
 - SOLDER PEG: GOLD FLASH ON 50u" MIN NICKEL UNDERPLATED ALL OVER.
 - CONTACT SOLDER AREA: GOLD FLASH ON SOLDER TAIL.
 - CONTACT AREA: GOLD FLASH ON 50u" MIN NICKEL UNDERPLATED ALL OVER.
 - CONTACT AREA: 5u" ON 50u" MIN NICKEL UNDERPLATED ALL OVER.
 - CONTACT AREA: 10u" ON 50u" MIN NICKEL UNDERPLATED ALL OVER.
 - CONTACT AREA: 15u" ON 50u" MIN NICKEL UNDERPLATED ALL OVER.
 - CONTACT AREA: 30u" ON 50u" MIN NICKEL UNDERPLATED ALL OVER.
 - COPLANARITY: 0.10 MAX.



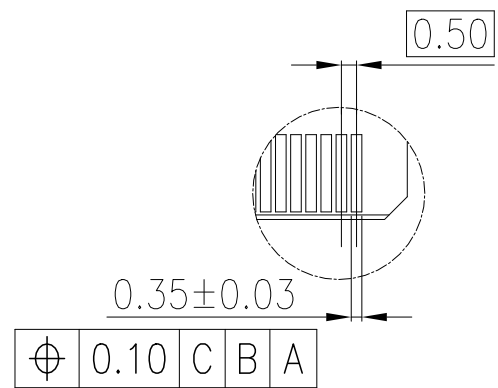
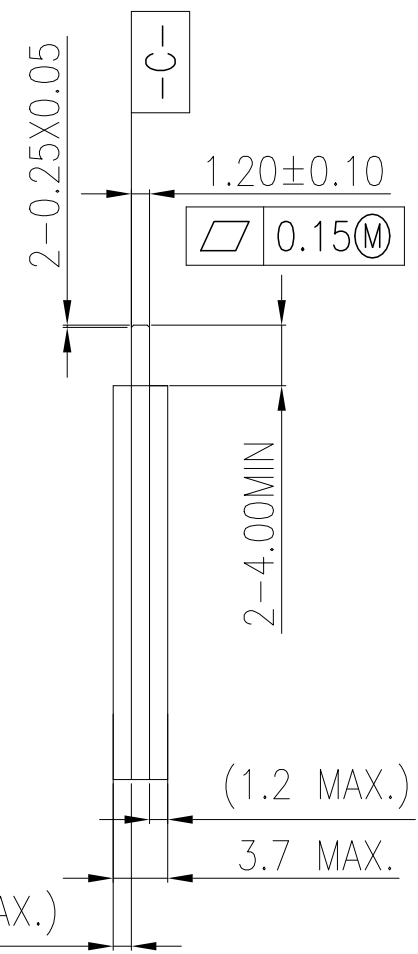
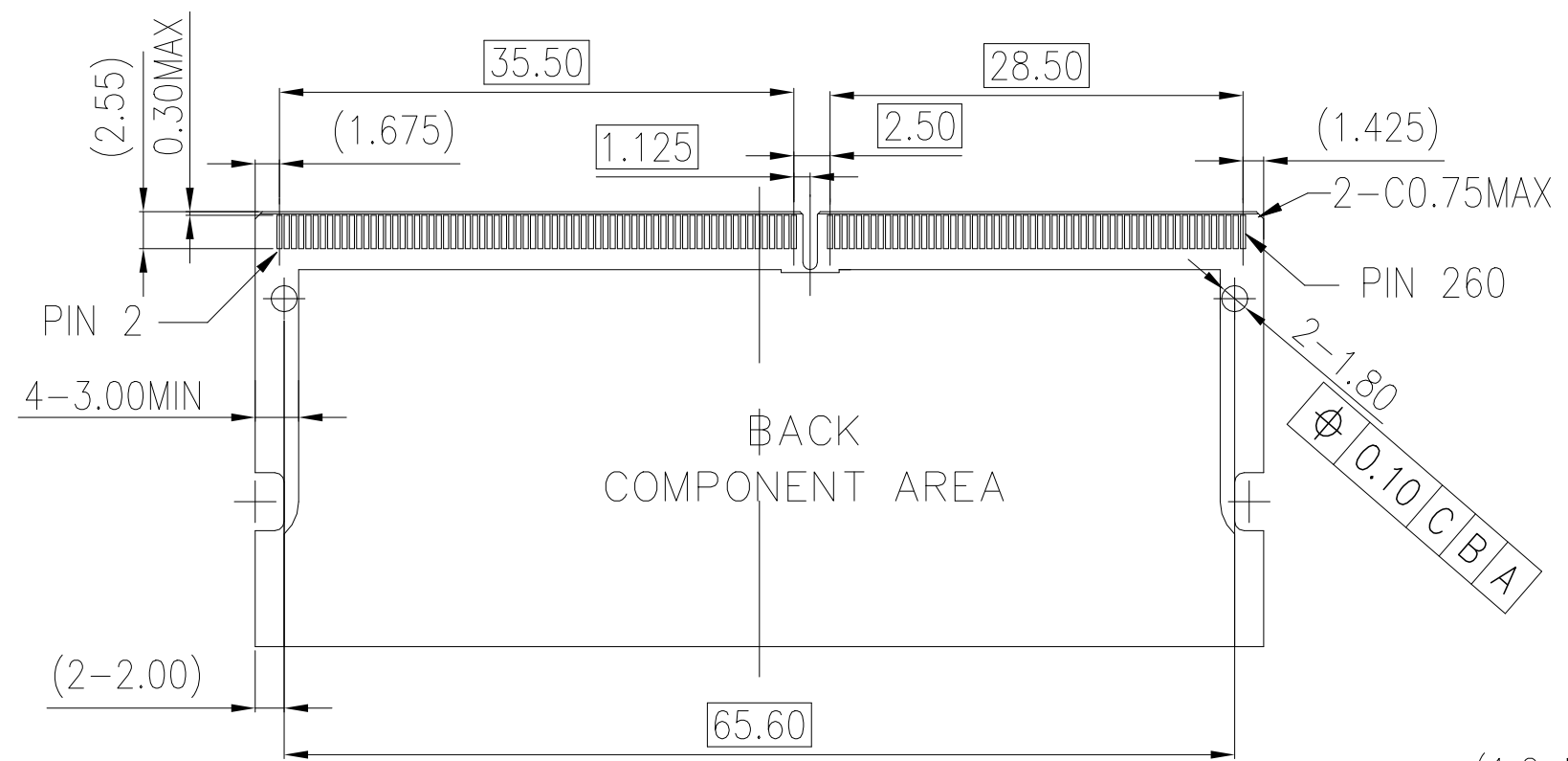
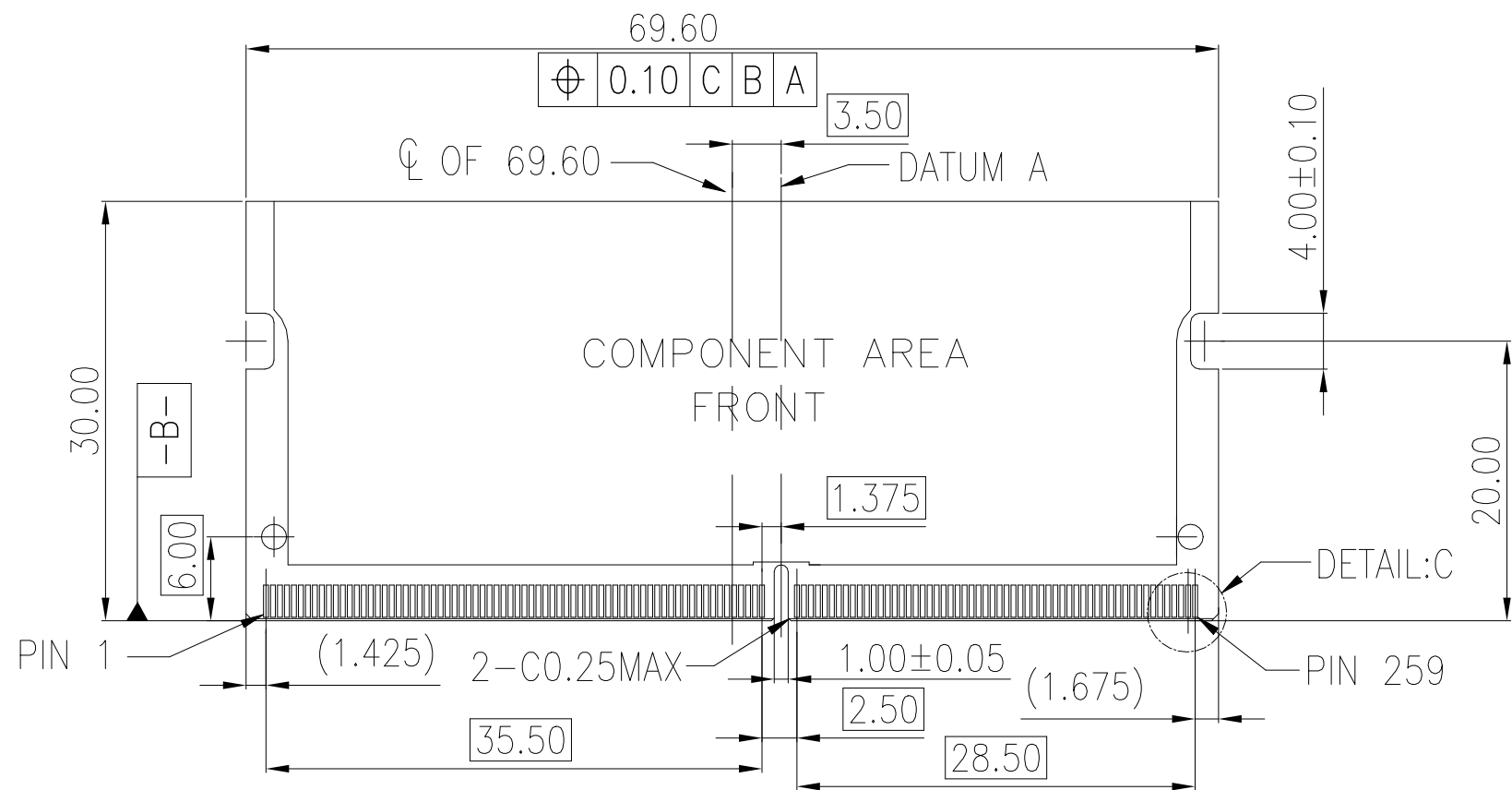
MATING/UNMATING VIEW
SCALE 2:1

- MATING: ① INSERTING(25°) → ② ROTATING → ③ FIXED
 UNMATING: ④ UNFIXED → ⑤ ROTATING → ⑥ WITHDRAWING

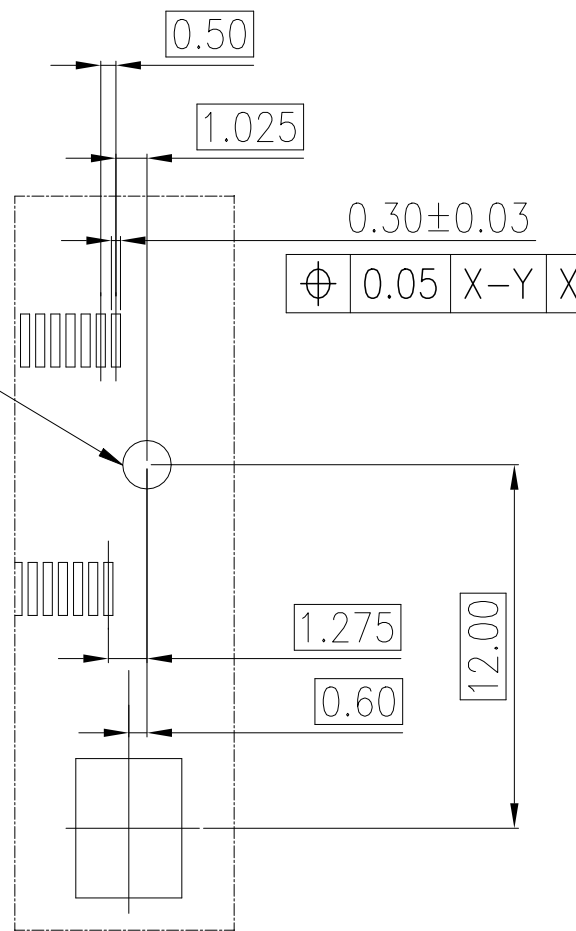
TAPE&REEL	BLACK	1.2V	30u"	260	2309409-5
TAPE&REEL	BLACK	1.2V	15u"	260	2309409-4
TAPE&REEL	BLACK	1.2V	10u"	260	2309409-3
TAPE&REEL	BLACK	1.2V	5u"	260	2309409-2
TAPE&REEL	BLACK	1.2V	GF	260	2309409-1
PACKING TYPE	HOUSING COLOR	POWER SUPPLY	FINISH	POS	PART NO.

THIS DRAWING IS A CONTROLLED DOCUMENT.		DWN DAVID ZHAO 09SEP2016			
		CHK RICHARD_MA 09SEP2016			
		APVD SIMON_LI 09SEP2016	NAME		
		PRODUCT SPEC 108-115122	DDR4 SODIMM SOCKET		
		APPLICATION SPEC	0.5mm PITCH 260POS		
			5.2mm HEIGHT STANDARD TYPE		
DIMENSIONS: mm		TOLERANCES UNLESS OTHERWISE SPECIFIED:		SIZE CAGE CODE DRAWING NO RESTRICTED TO	
		0 PLC ± -		A2 00779 C=2309409	
		1 PLC ± 0.25		SCALE 1:1 SHEET 1 of 3 REV 5	
		2 PLC ± 0.15			
		3 PLC ± 0.10			
		4 PLC ± -			
		ANGLES ± -			
		FINISH			
MATERIAL		WEIGHT		CUSTOMER DRAWING	

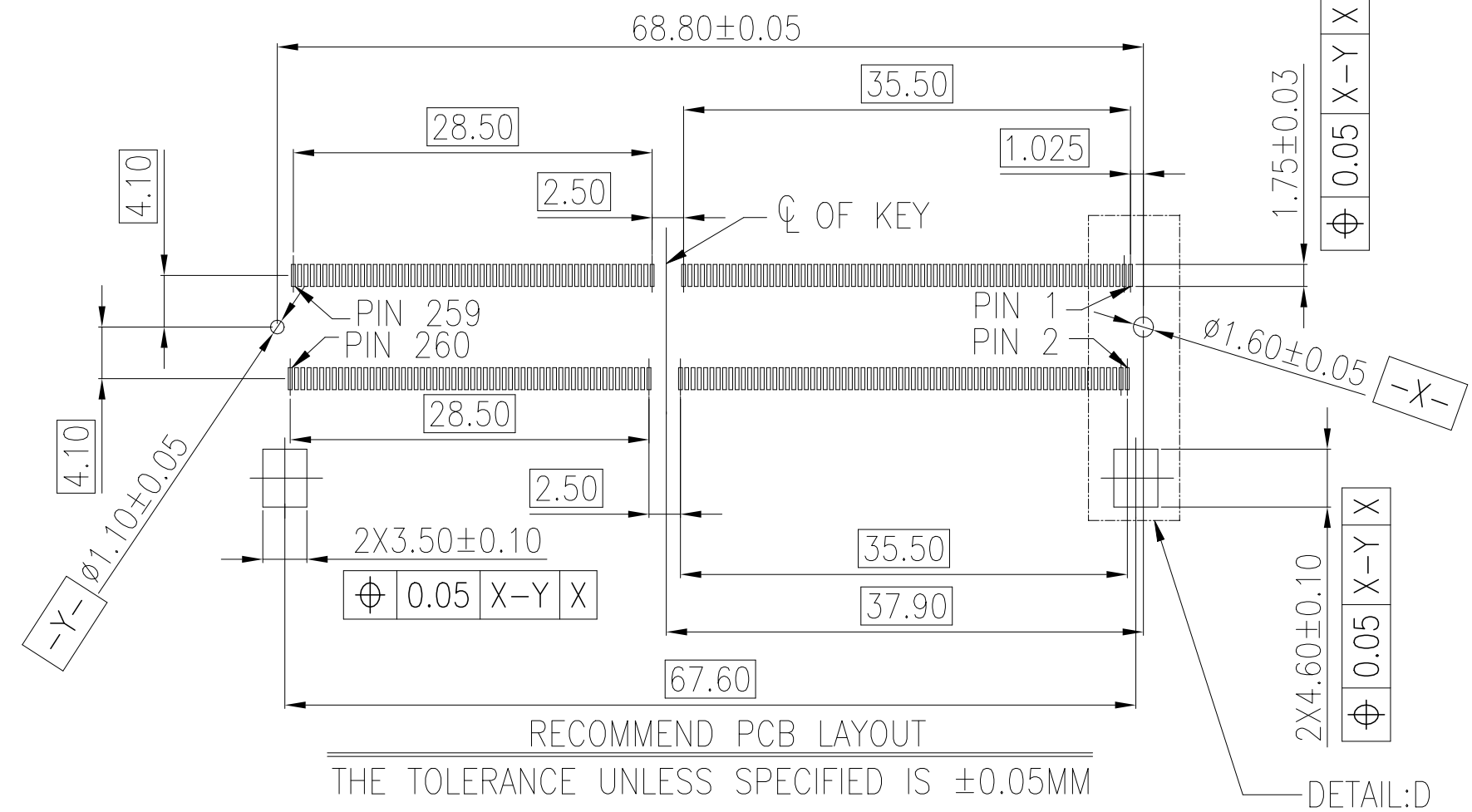
REVISIONS				
P	LTR	DESCRIPTION	DATE	OWN APVD
-	-		-	-



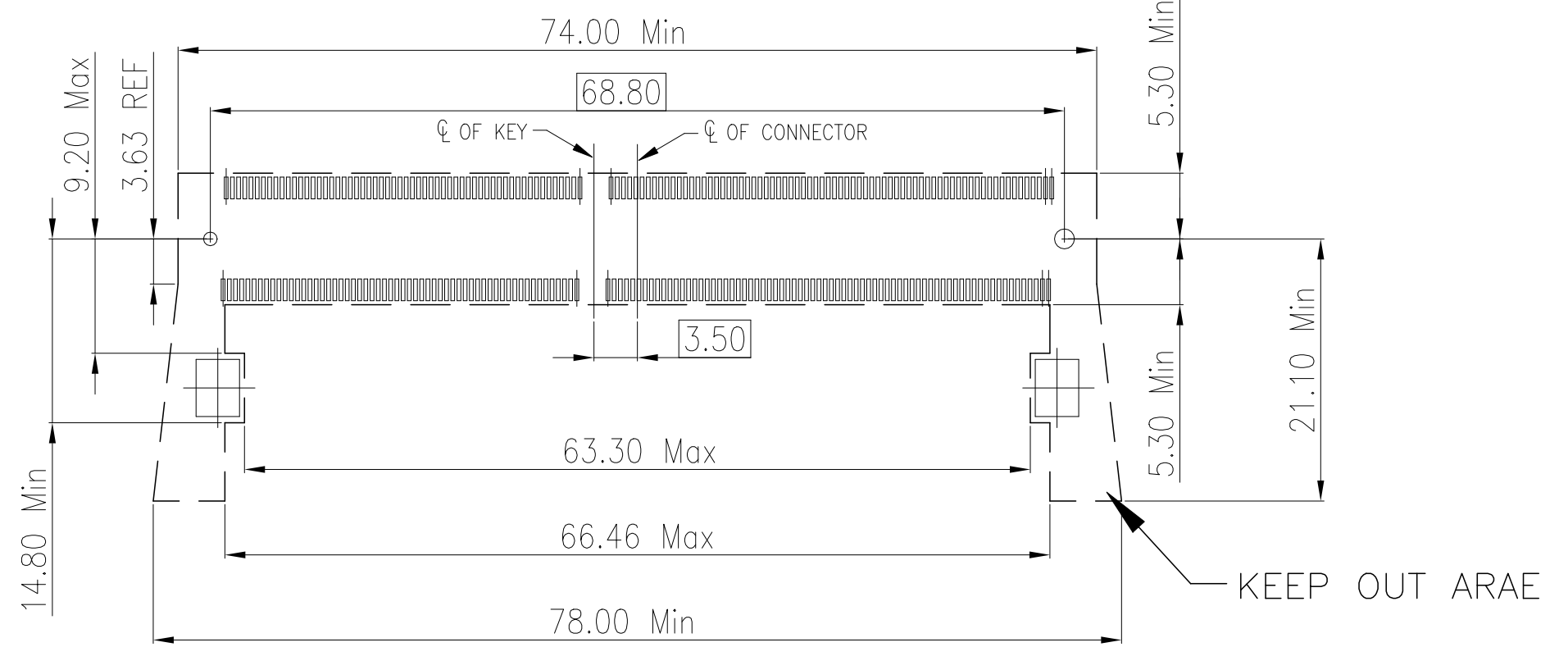
DETAIL:C
SCALE 2:1



DETAIL:D
SCALE 2:1



RECOMMEND PCB LAYOUT
 THE TOLERANCE UNLESS SPECIFIED IS ±0.05MM

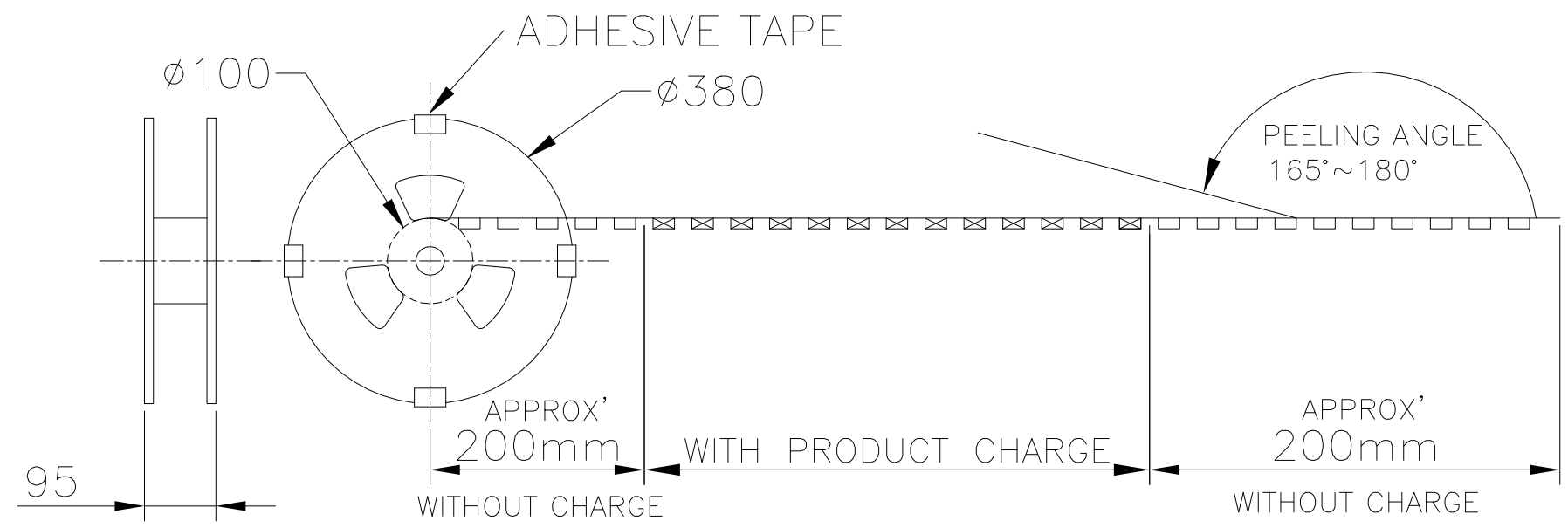


KEEP OUT AREA

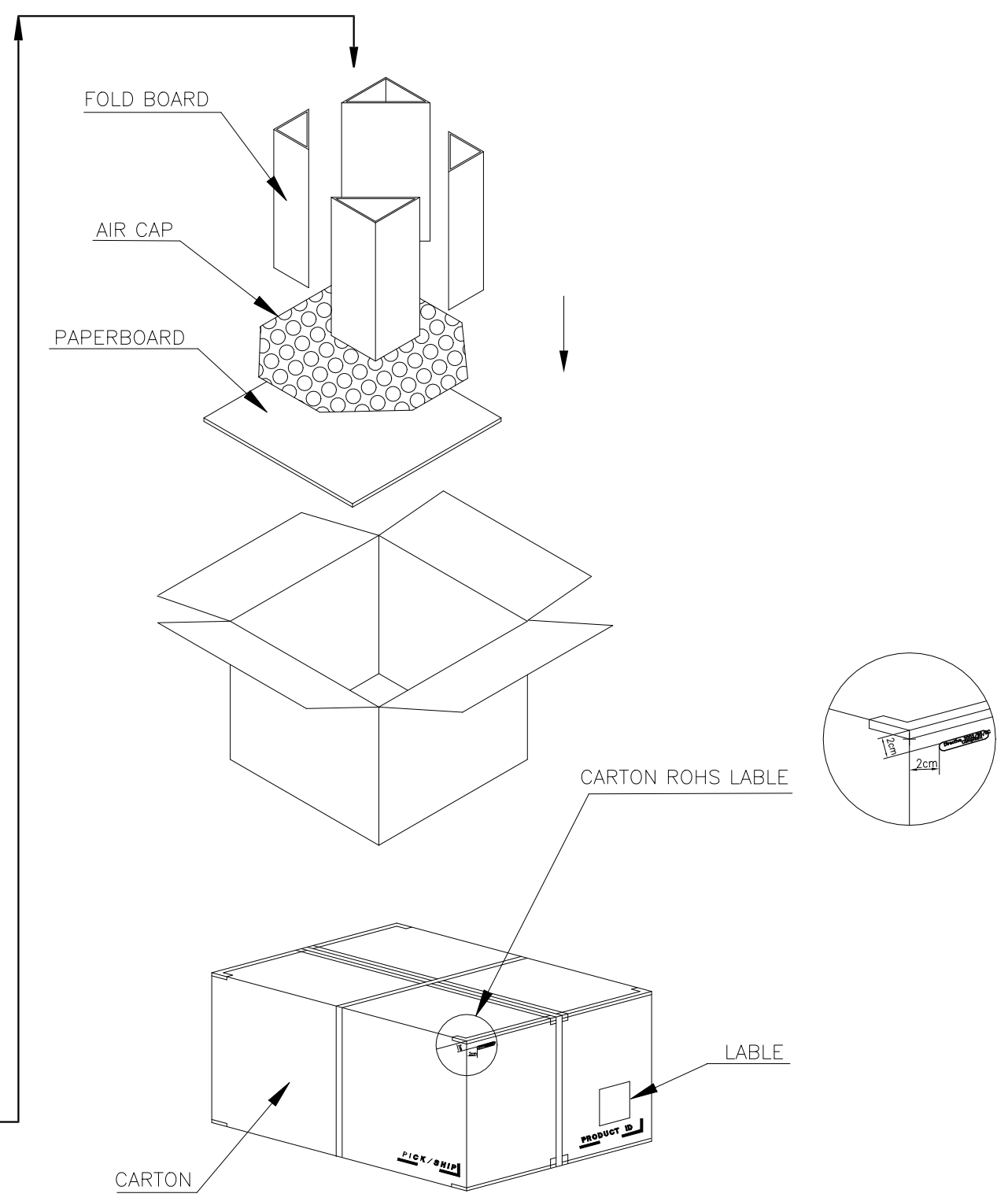
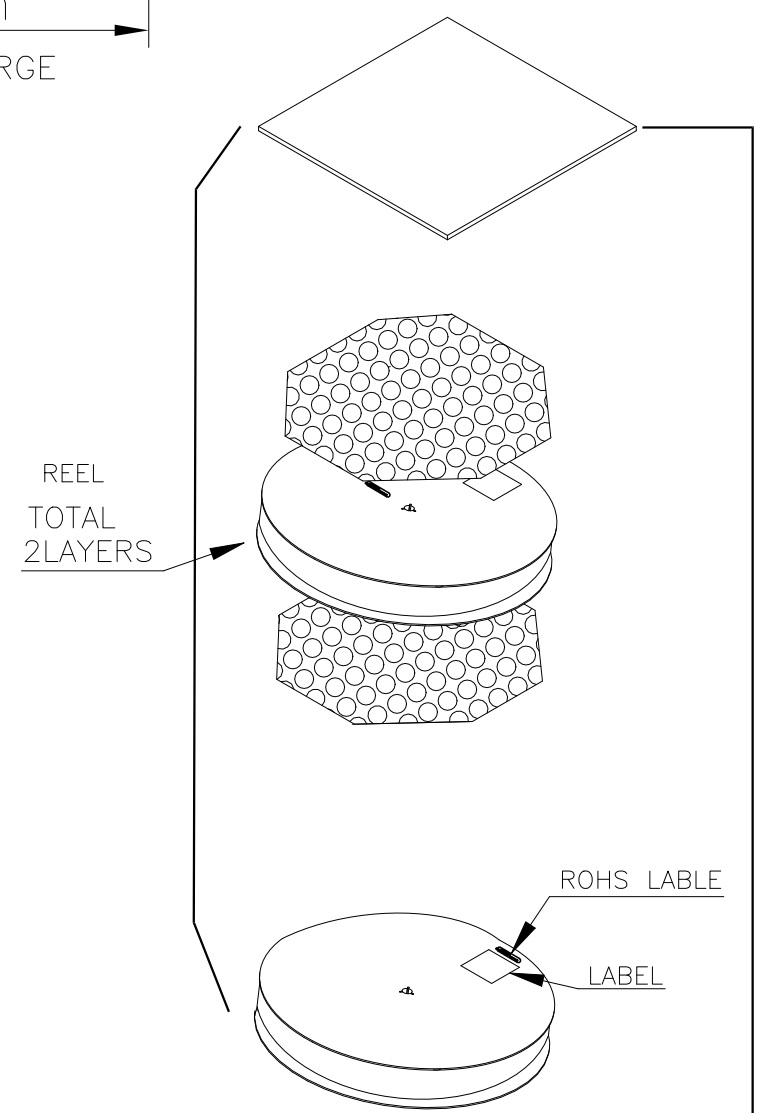
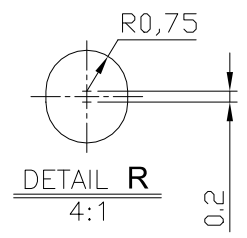
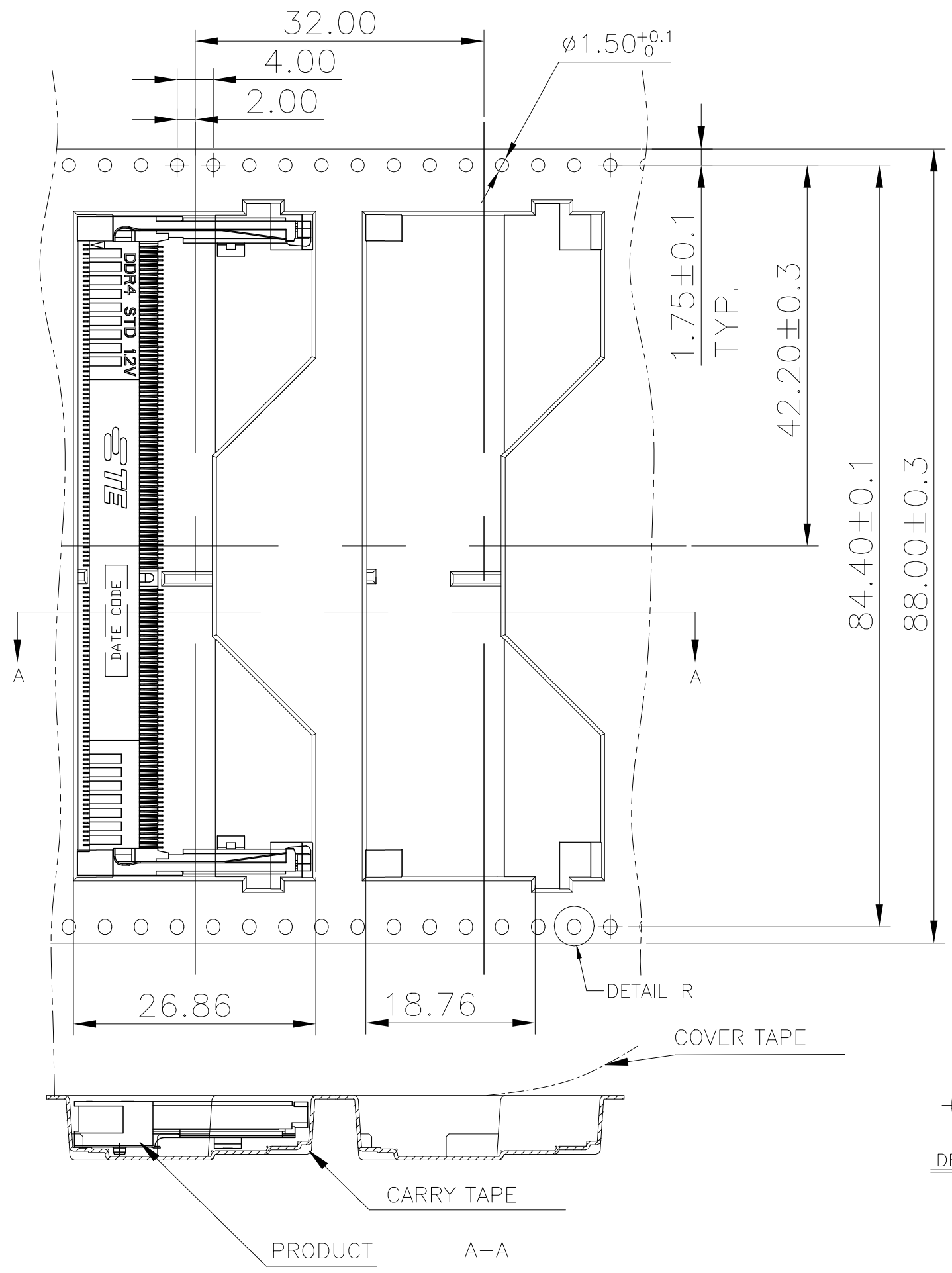
THIS DRAWING IS A CONTROLLED DOCUMENT.		DWN DAVID ZHAO 09SEP2016		
DIMENSIONS: mm		CHK RICHARD ,MA 09SEP2016		
TOLERANCES UNLESS OTHERWISE SPECIFIED:		APVD SIMON LI 09SEP2016	NAME	
0 PLC ±	1 PLC ±	PRODUCT SPEC	DDR4 SODIMM SOCKET	
2 PLC ±	3 PLC ±	APPLICATION SPEC	0.5mm PITCH 260POS	
4 PLC ±	ANGLES ±	WEIGHT	5.2mm HEIGHT STANDARD TYPE	
FINISH		CUSTOMER DRAWING	SIZE A2	RESTRICTED TO
			CAGE CODE 00779	DRAWING NO C=2309409
			SCALE 1:1	SHEET 2 OF 3
				REV 5

THIS DRAWING IS UNPUBLISHED. RELEASED FOR PUBLICATION
 © COPYRIGHT 2016 By TE connectivity ALL RIGHTS RESERVED.

REVISIONS					
P	LTR	DESCRIPTION	DATE	OWN	APVD
-	-		-	-	-



PULL OUT DIRECTION →



400	2	800	*-2309409-*
PCS/ REEL	REEL/ CARTON	PCS/ CARTON	PART NUMBER

THIS DRAWING IS A CONTROLLED DOCUMENT.		DWN DAVID ZHAO 09SEP2016		
DIMENSIONS: mm		CHK RICHARD, MA 09SEP2016		
TOLERANCES UNLESS OTHERWISE SPECIFIED:		APVD SIMON LI 09SEP2016	NAME	
0 PLC ±	1 PLC ±	PRODUCT SPEC	DDR4 SODIMM SOCKET	
2 PLC ±	3 PLC ±	APPLICATION SPEC	0.5mm PITCH 260POS	
4 PLC ±	ANGLES ±	WEIGHT	5.2mm HEIGHT STANDARD TYPE	
MATERIAL FINISH		CUSTOMER DRAWING	SIZE A2	RESTRICTED TO
			CAGE CODE 00779	
			DRAWING NO C=2309409	
			SCALE -	SHEET 3 of 3
				REV 5

X-ON Electronics

Largest Supplier of Electrical and Electronic Components

Click to view similar products for [DIMM Connectors](#) category:

Click to view products by [TE Connectivity](#) manufacturer:

Other Similar products are found below :

[1-1932649-2](#) [1-1761024-0](#) [2309411-5](#) [296409204002856+](#) [10116658-252ASLF](#) [5390471-1](#) [2309413-3](#) [78507-0061](#) [KIT-SODIMM-1X16GB/01](#) [10129206-0010013LF](#) [10086891-052TSLF](#) [10079192-11102LF](#) [10116658-152FSLF](#) [10129206-0011113LF](#) [1-2308107-0](#) [2013310-1](#) [2013289-1](#) [390111-1](#) [390112-1](#) [2309413-1](#) [2309407-1](#) [2309414-1](#) [10081530-12208LF](#) [151080-0001](#) [78726-1004](#) [10005639-11107LF](#) [10005639-11109LF](#) [10005639-12207LF](#) [10023061-10207LF](#) [10033853-252FSLF](#) [10033853-052ASLF](#) [10033853-052FSLF](#) [10033853-152FSLF](#) [10033854-052FSLF](#) [10034542-10002LF](#) [10037402-12207LF](#) [10081530-11107LF](#) [10081530-12207LF](#) [10081530-12218LF](#) [10124632-0030001LF](#) [10124806-01006LF](#) [10145891-0320J13LF](#) [10145226-0241N13LF](#) [59354-052FSLF](#) [59355-052FSLF](#) [DDR4288S0211TF](#) [DDR4288S0511H](#) [DDR4288S0511TF](#) [DDR4288V0123TF](#) [DDR4288V0213TF](#)