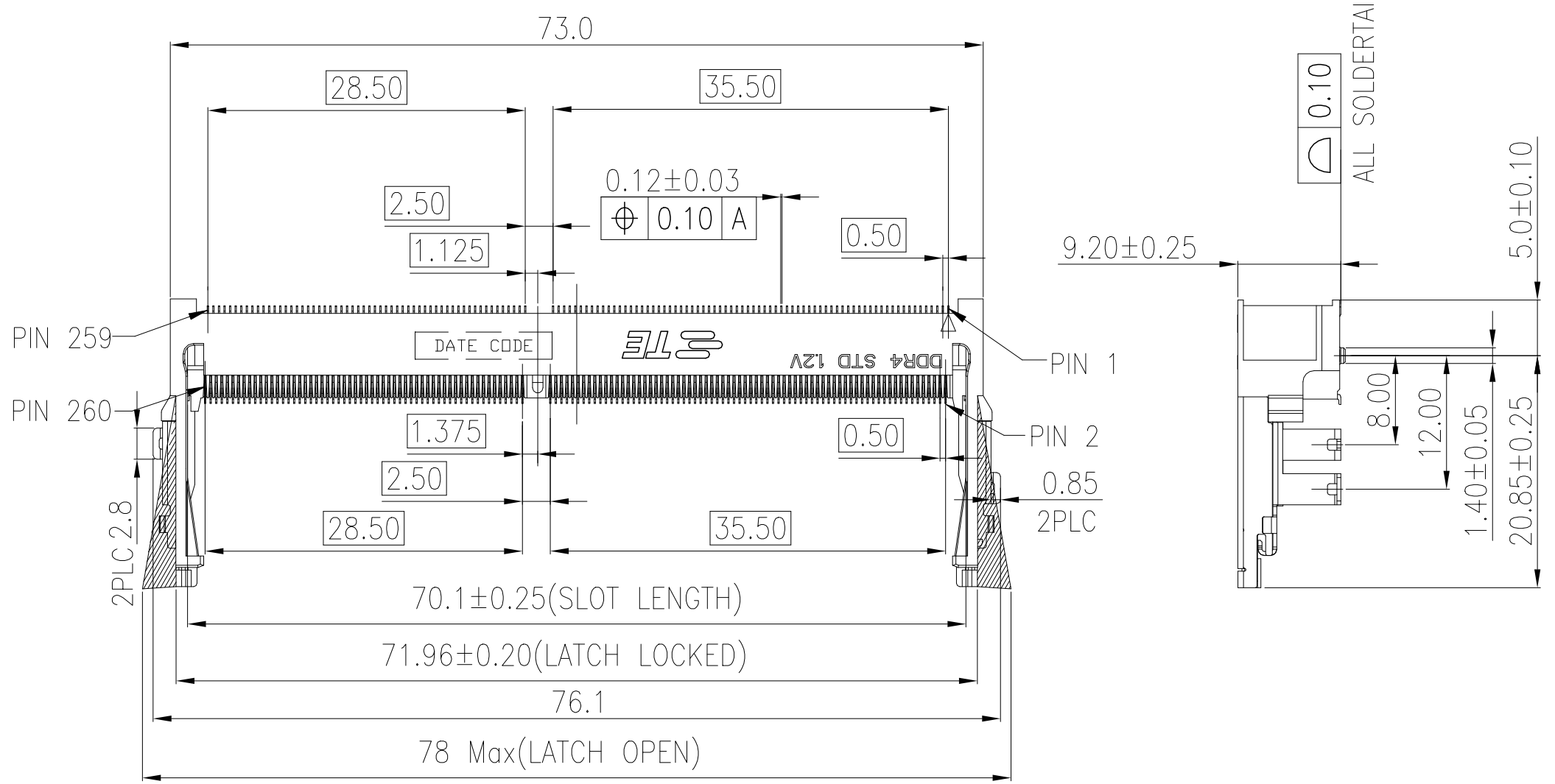
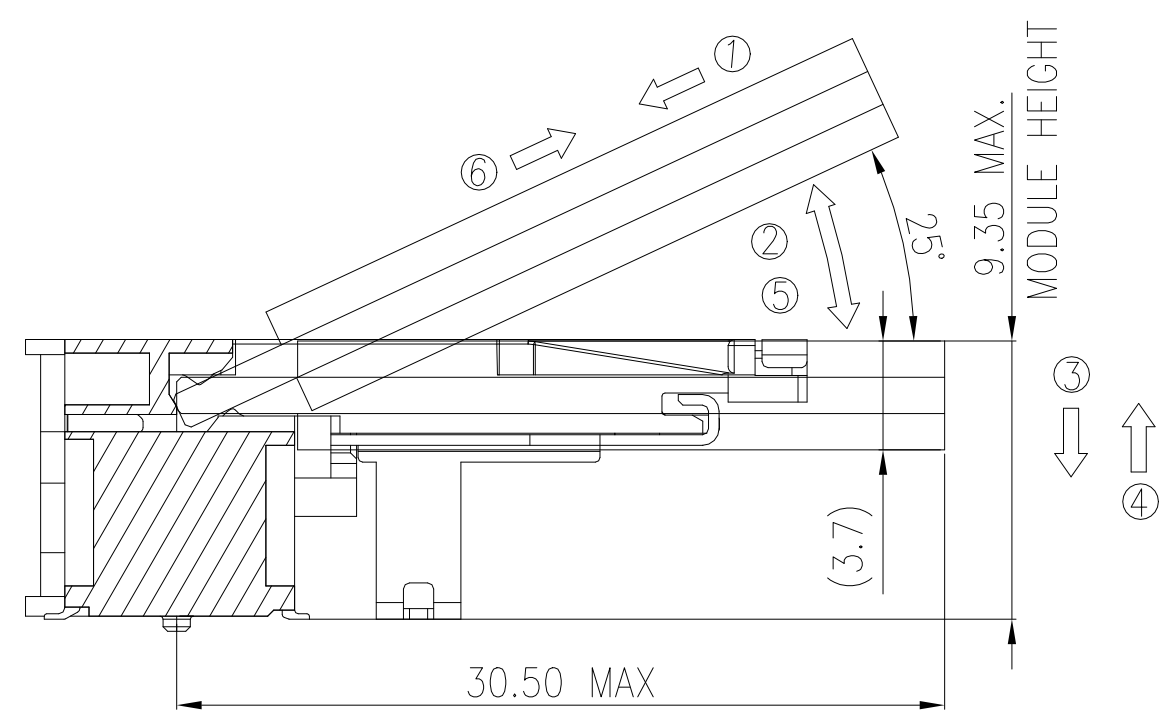
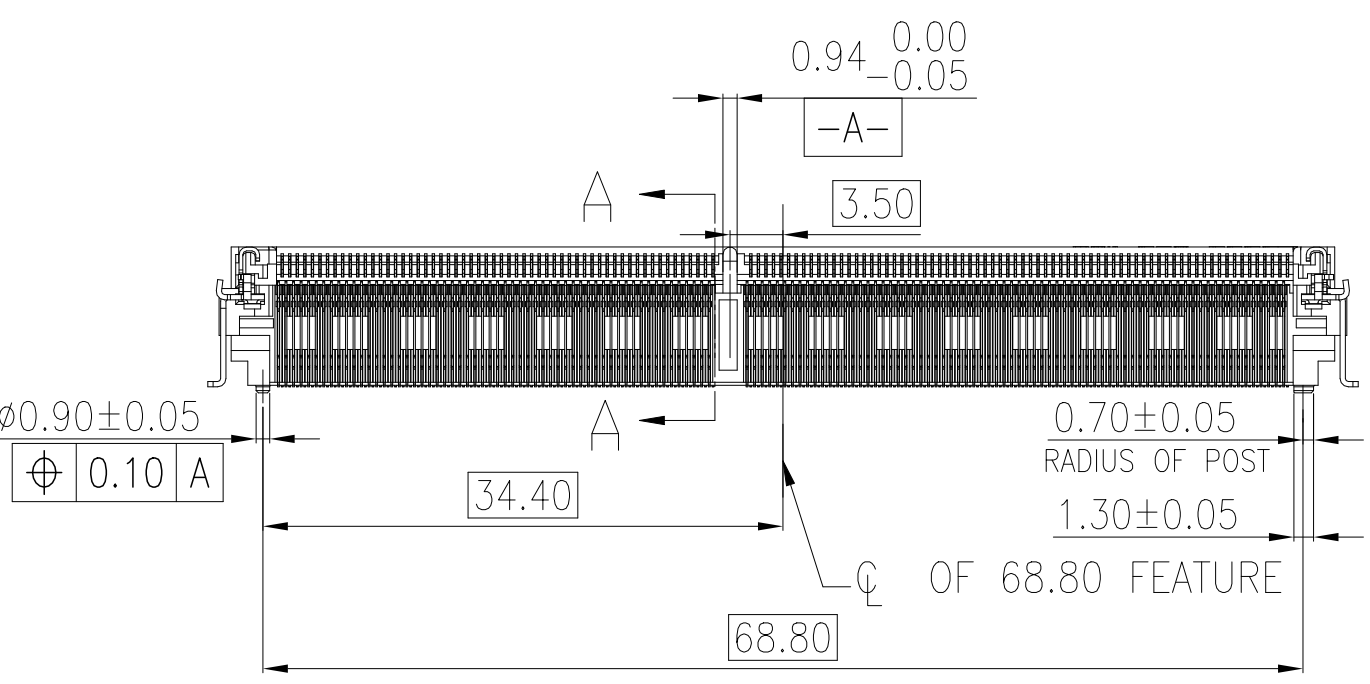


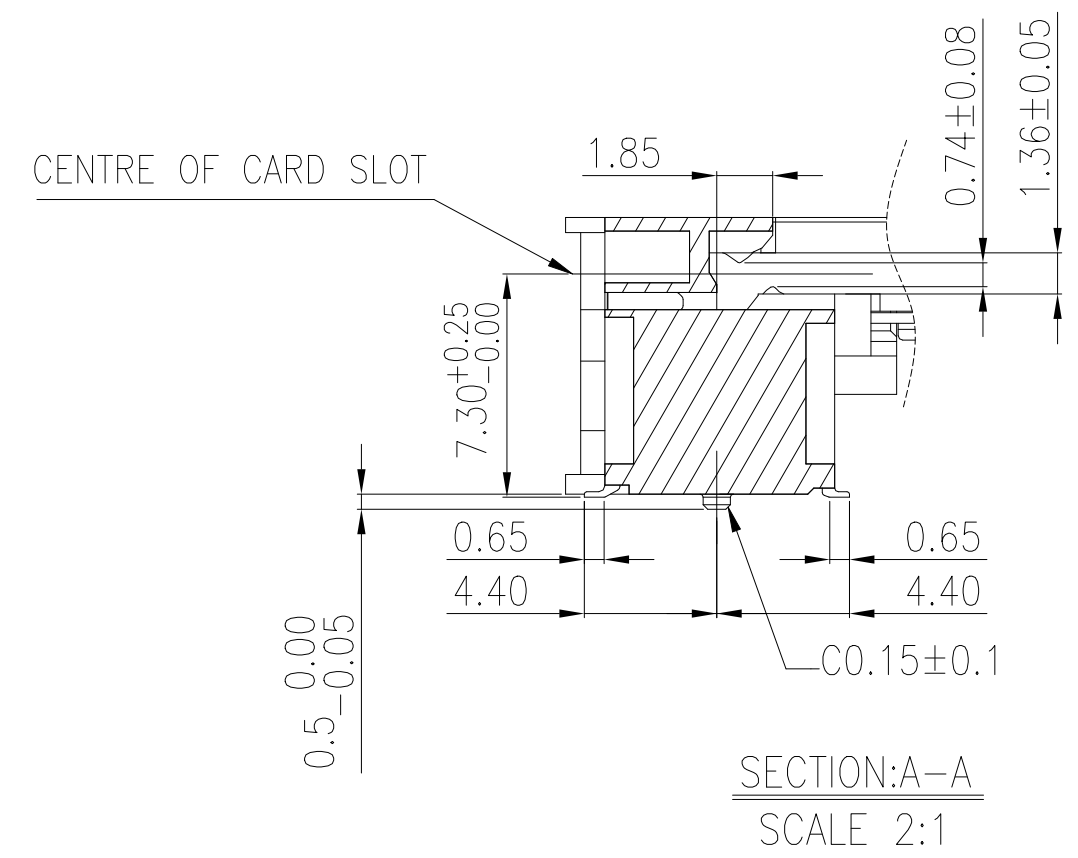
REVISIONS					
P	LTR	DESCRIPTION	DATE	DWN	APVD
6		REVISED PER ECR-21-001415	03FEB2021	S.S	N.S



- NOTES:
- MATERIAL:
 - HOUSING: HIGH TEMPERATURE THERMO PLASTIC, UL 94V-0, COLOR: BLACK.
 - CONTACT: COPPER ALLOY.
 - SOLDER PEG AND LATCH: STAINLESS STEEL.
 - FINISH:
 - SOLDER PEG: GOLD FLASH ON 50u" MIN NICKEL UNDERPLATED ALL OVER.
 - CONTACT SOLDER AREA: GOLD FLASH ON SOLDER TAIL.
 - CONTACT AREA: GOLD FLASH ON 50u" MIN NICKEL UNDERPLATED ALL OVER.
 - CONTACT AREA: 5u" ON 50u" MIN NICKEL UNDERPLATED ALL OVER.
 - CONTACT AREA: 10u" ON 50u" MIN NICKEL UNDERPLATED ALL OVER.
 - CONTACT AREA: 15u" ON 50u" MIN NICKEL UNDERPLATED ALL OVER.
 - CONTACT AREA: 30u" ON 50u" MIN NICKEL UNDERPLATED ALL OVER.
 - COPLANARITY: 0.10 MAX. (BEFORE SOLDERING)



MATING: ① INSERTING (25°) → ② ROTATING → ③ FIXED
 UNMATING: ④ UNFIXED → ⑤ ROTATING → ⑥ WITHDRAWING

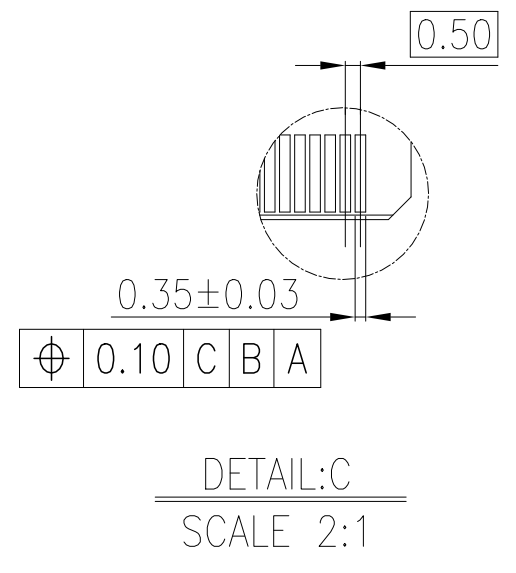
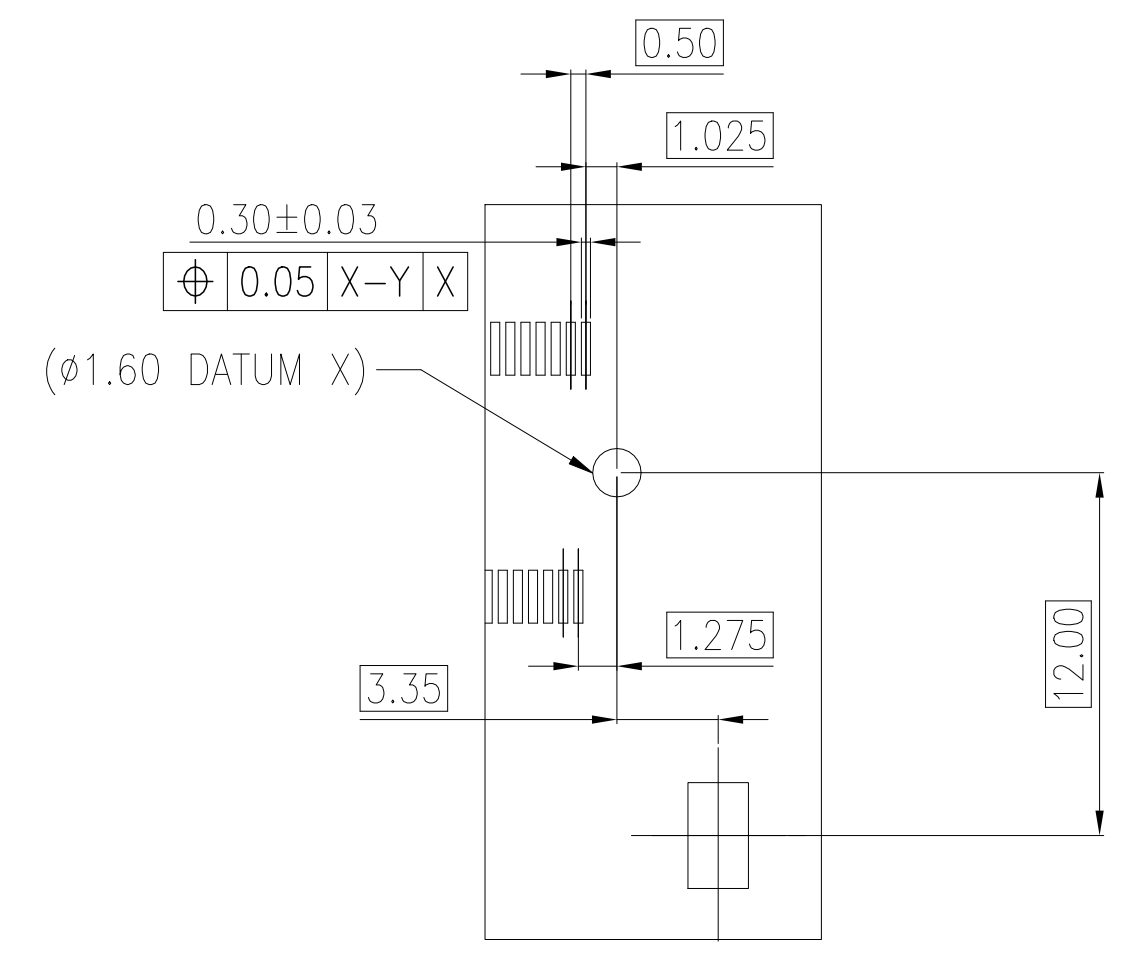
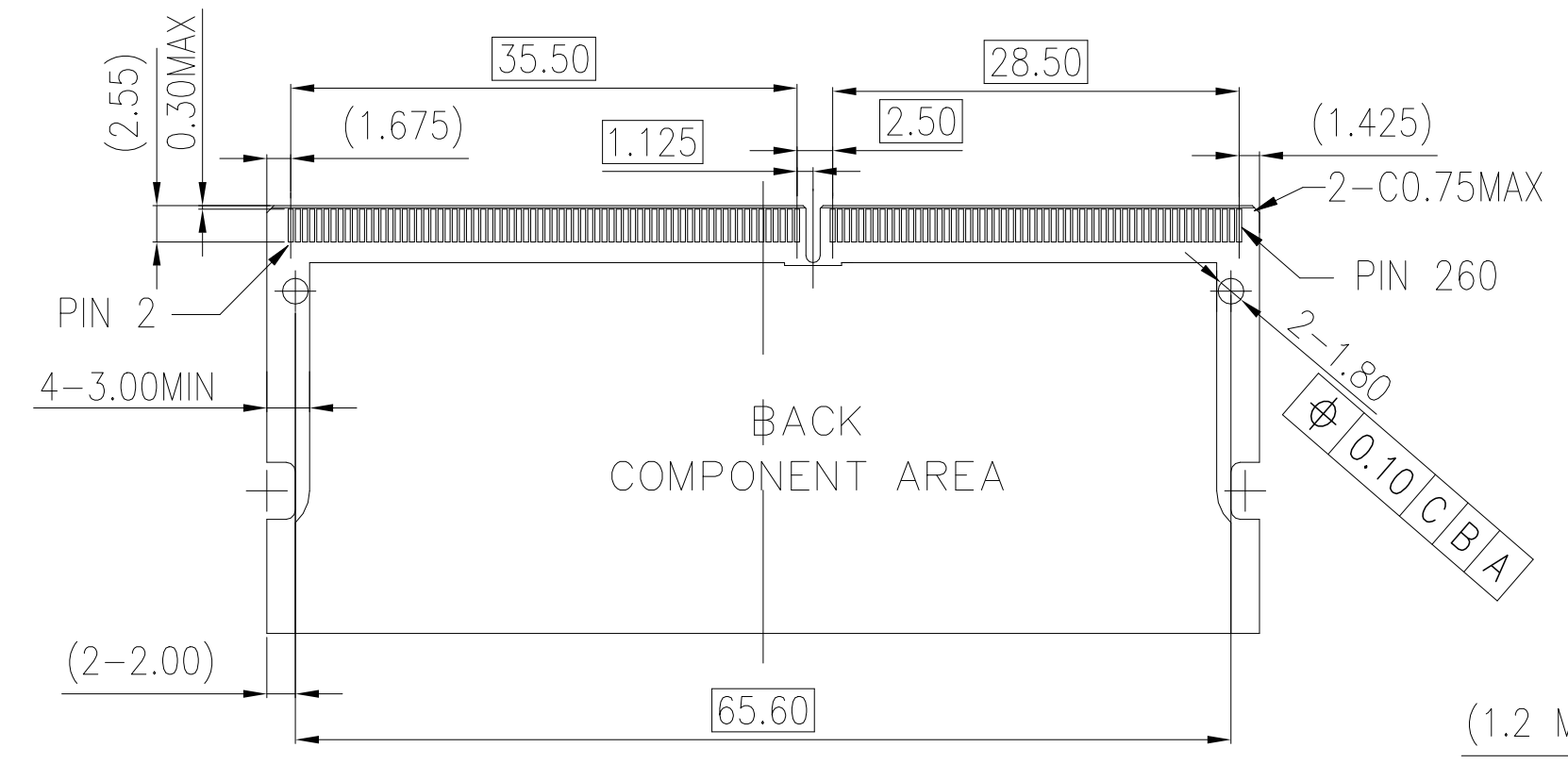
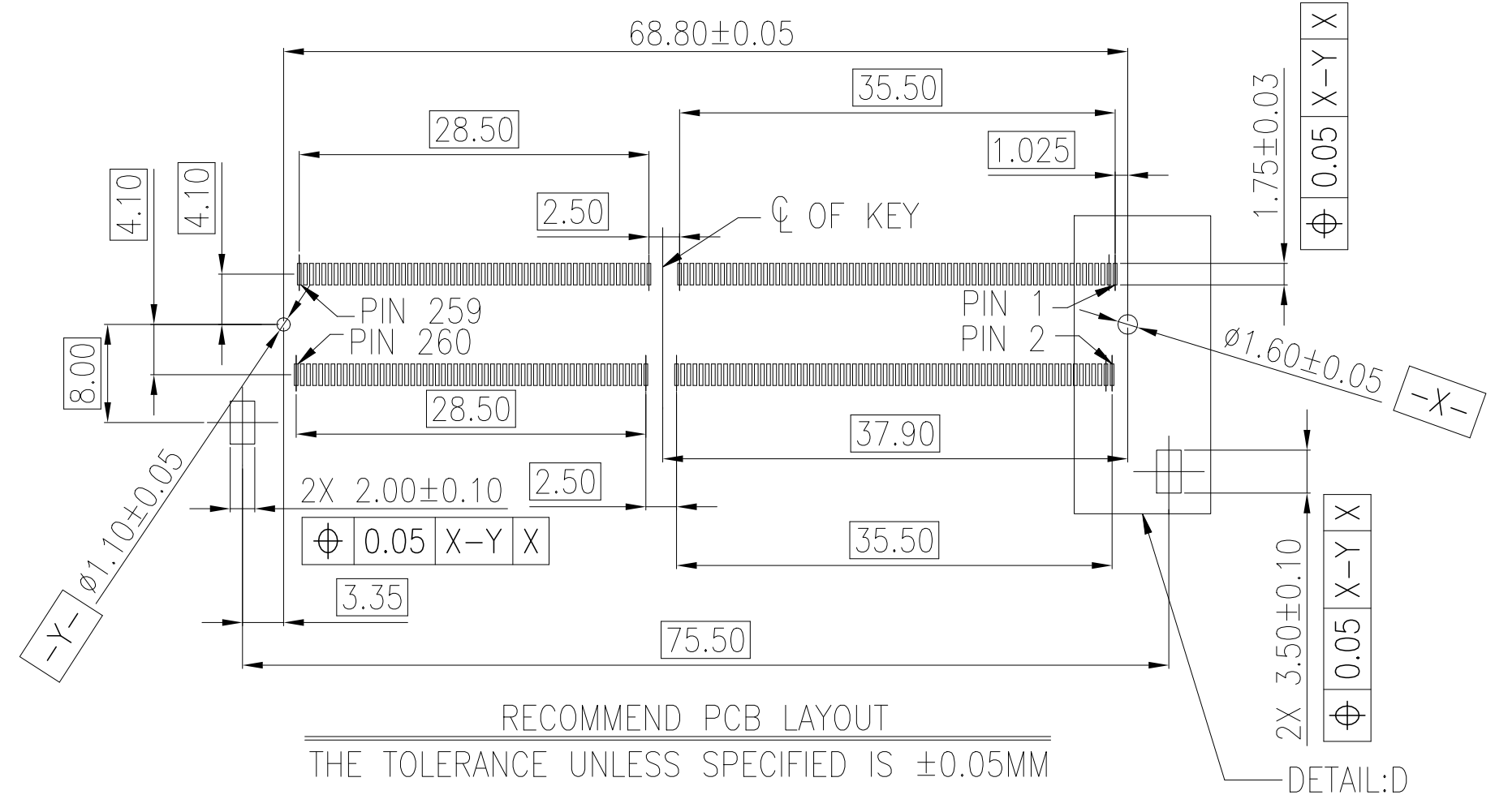
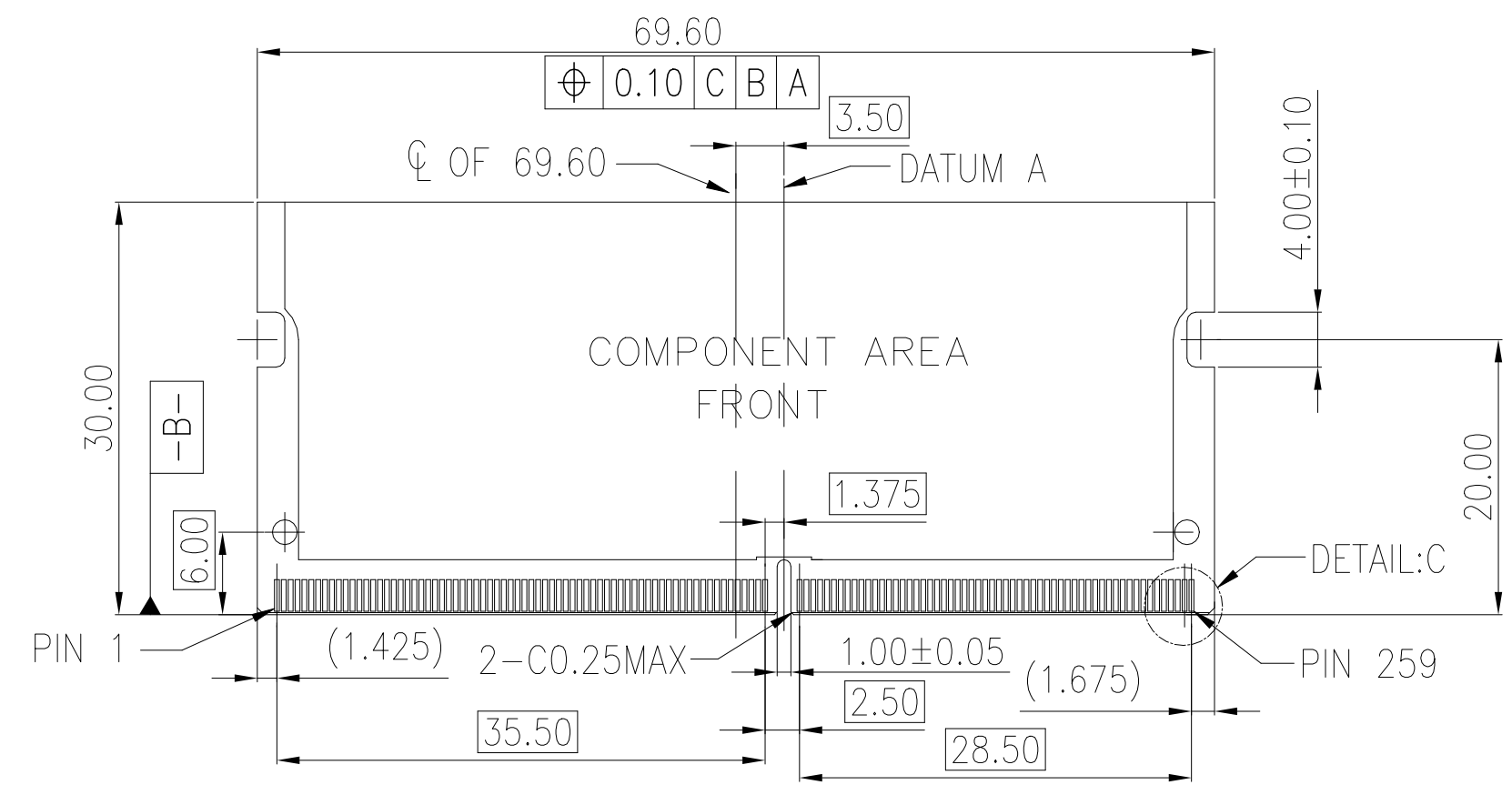


PACKAGE TYPE	HOUSING COLOR	POWER SUPPLY	FINISH	POS	PART NO.
PACKAGE TYPE 2	BLACK	1.2V	GF	260	2309413-6
PACKAGE TYPE 1	BLACK	1.2V	30u"	260	2309413-5
PACKAGE TYPE 1	BLACK	1.2V	15u"	260	2309413-4
PACKAGE TYPE 1	BLACK	1.2V	10u"	260	2309413-3
PACKAGE TYPE 1	BLACK	1.2V	5u"	260	2309413-2
PACKAGE TYPE 1	BLACK	1.2V	GF	260	2309413-1

THIS DRAWING IS A CONTROLLED DOCUMENT.

DWN DAVID ZHAO 09SEP2016	TE Connectivity DDR4 SODIMM SOCKET 0.5mm PITCH 260POS 9.2mm HEIGHT STANDARD TYPE				
CHK RICHARD MA 09SEP2016					
APVD SIMON LI 09SEP2016					
PRODUCT SPEC 108-115122					
MATERIAL	WEIGHT	SIZE A2	CAGE CODE 00779	DRAWING NO. C=2309413	RESTRICTED TO
CUSTOMER DRAWING		SCALE 1:1	SHEET 1 of 5	REV 6	

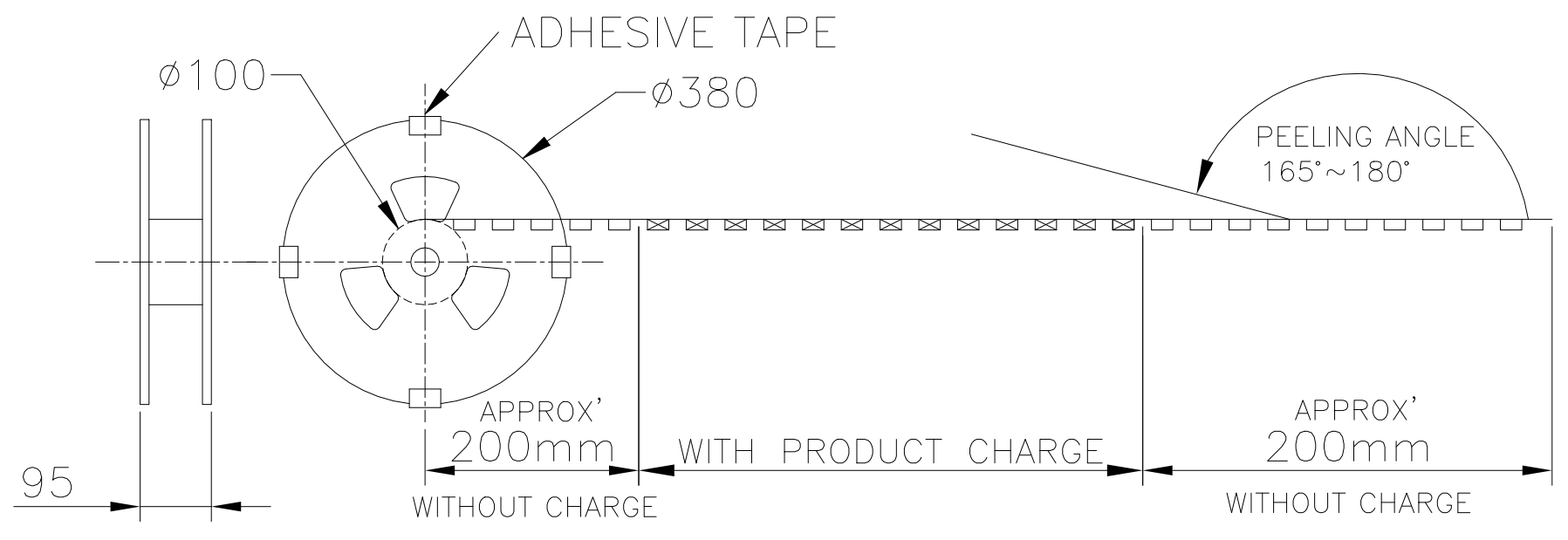
REVISIONS					
P	LTR	DESCRIPTION	DATE	DWN	APVD
-	-	SEE SHEET 1	-	-	-



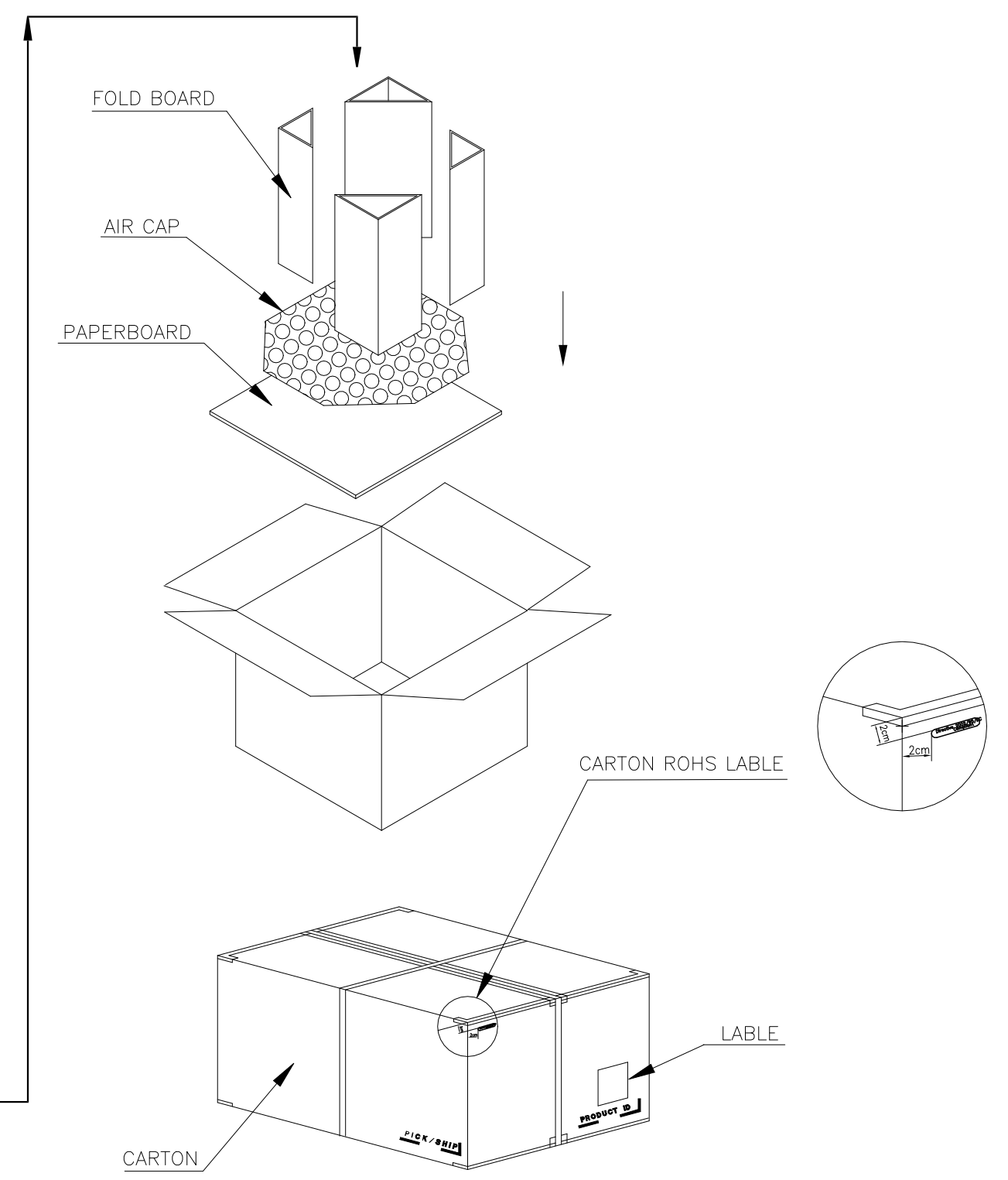
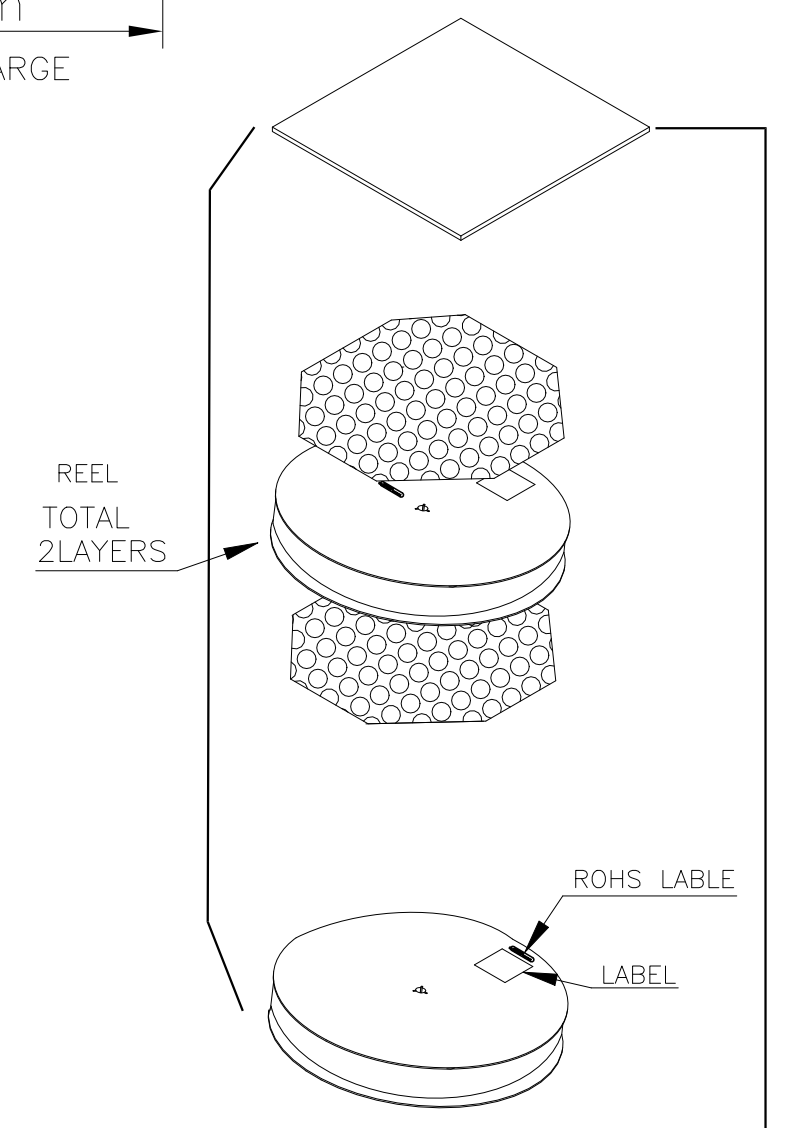
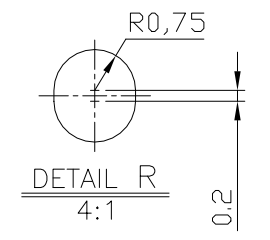
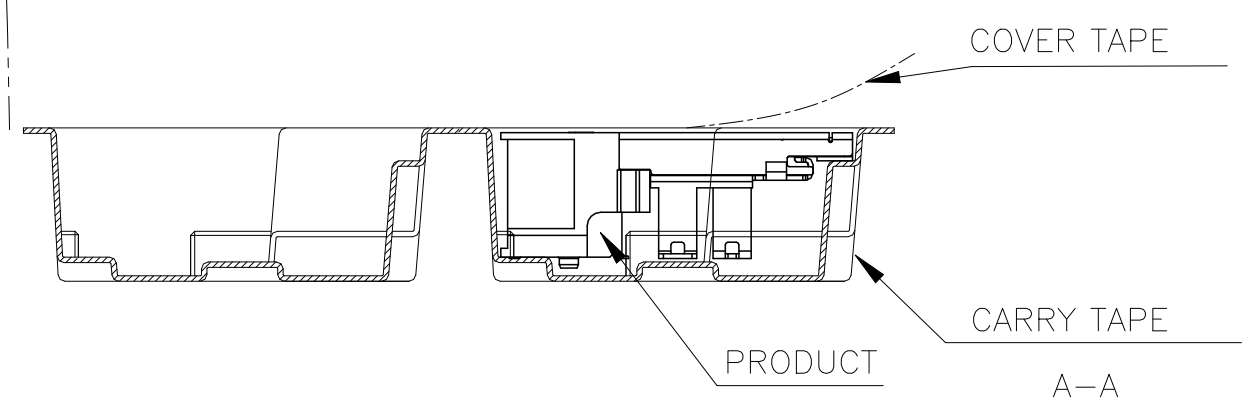
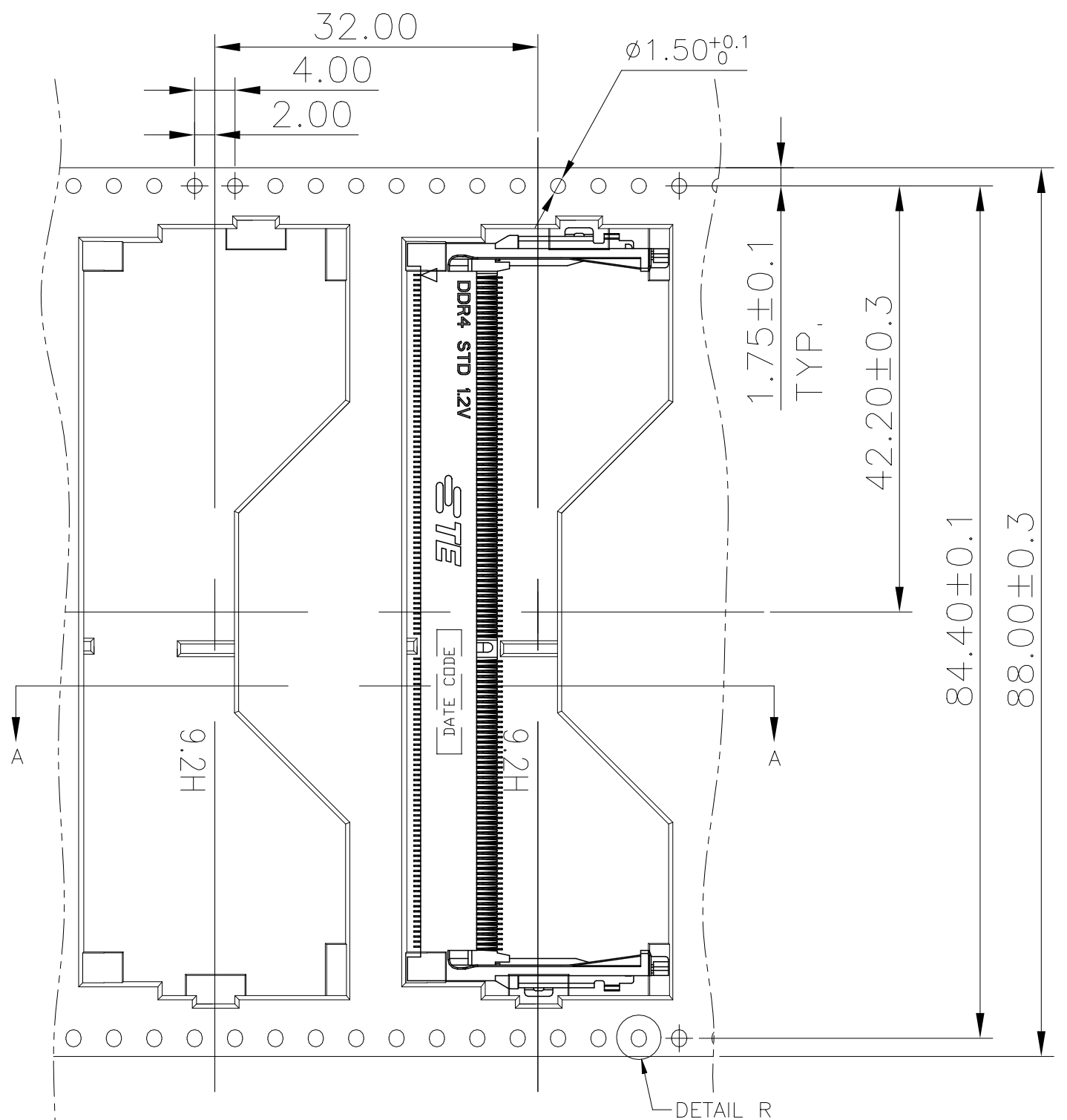
THIS DRAWING IS A CONTROLLED DOCUMENT.		DWN DAVID ZHAO 09SEP2016	 TE Connectivity
DIMENSIONS: mm		CHK RICHARD MA 09SEP2016	
TOLERANCES UNLESS OTHERWISE SPECIFIED:		APVD SIMON LI 09SEP2016	
0 PLC ± 1 PLC ± 2 PLC ± 3 PLC ± 4 PLC ± ANGLES ± FINISH ±		NAME	
MATERIAL		PRODUCT SPEC	DDR4 SODIMM SOCKET 0.5mm PITCH 260POS 9.2mm HEIGHT STANDARD TYPE
		APPLICATION SPEC	SIZE CAGE CODE DRAWING NO RESTRICTED TO
		WEIGHT	A2 00779 C=2309413
		CUSTOMER DRAWING	SCALE 1:1 SHEET 2 OF 5 REV 6

REVISIONS					
P	LTR	DESCRIPTION	DATE	DWN	APVD
-	-	SEE SHEET 1	-	-	-

PACKAGE TYPE 1



PULL OUT DIRECTION →



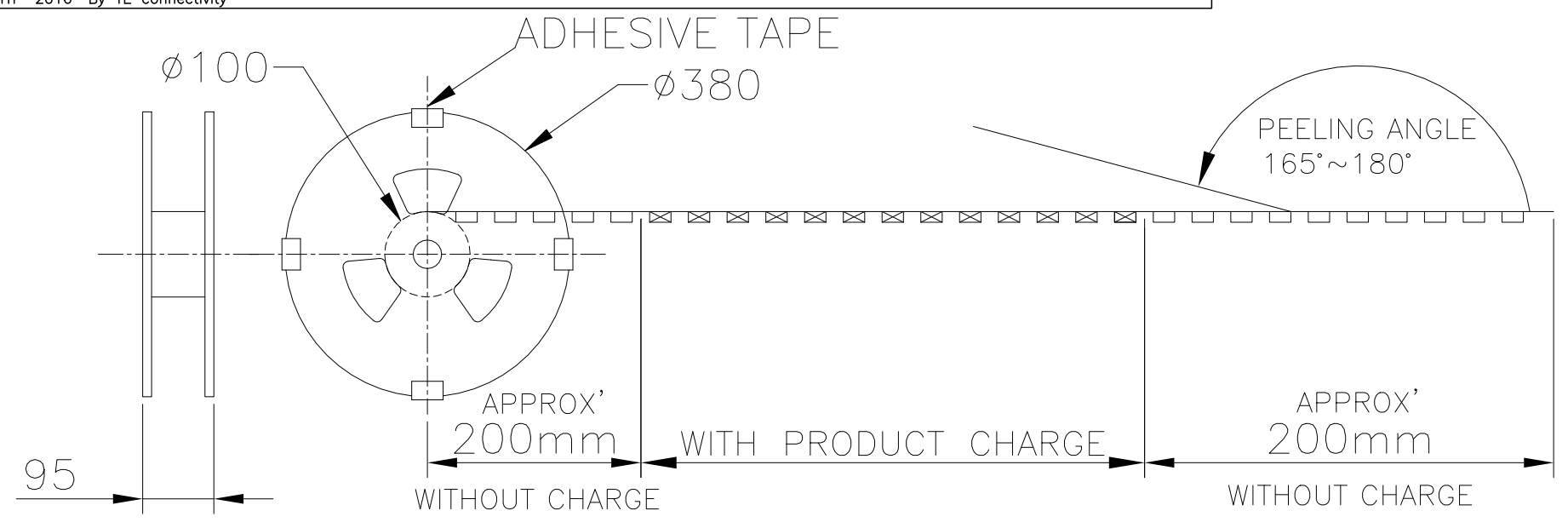
PCS/ REEL	REEL/ CARTON	PCS/ CARTON	PART NUMBER
250	2	500	2309413-5
250	2	500	2309413-4
250	2	500	2309413-3
250	2	500	2309413-2
250	2	500	2309413-1

THIS DRAWING IS A CONTROLLED DOCUMENT.

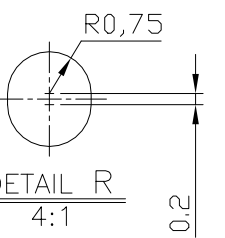
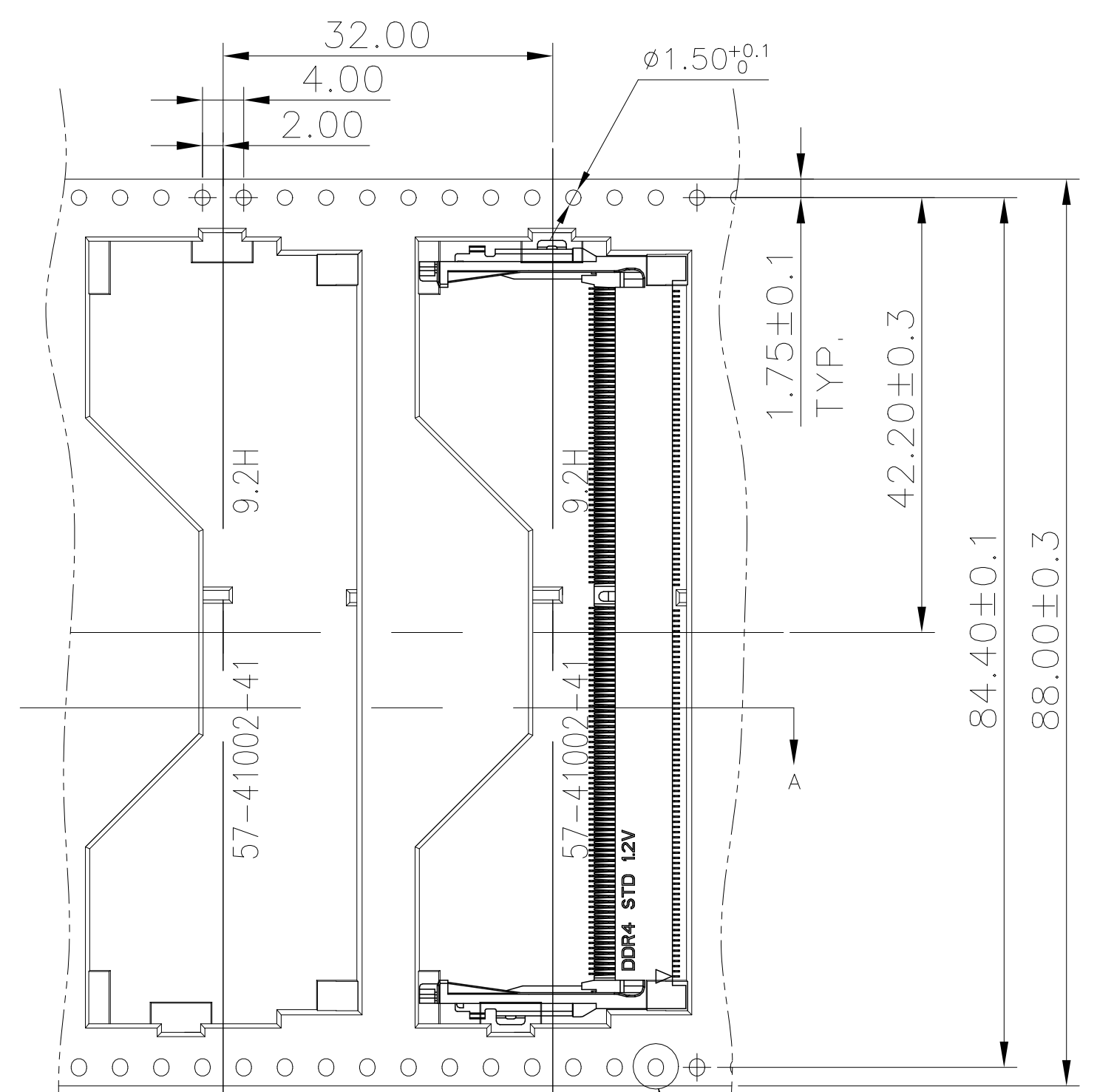
DWN DAVID ZHAO 09SEP2016	TE Connectivity DDR4 SODIMM SOCKET 0.5mm PITCH 260POS 9.2mm HEIGHT STANDARD TYPE					
CHK RICHARD MA 09SEP2016						
APVD SIMON LI 09SEP2016						
PRODUCT SPEC						
MATERIAL	FINISH	WEIGHT	SIZE A2	CAGE CODE 00779	DRAWING NO. C=2309413	RESTRICTED TO
CUSTOMER DRAWING			SCALE -	SHEET 3 of 5	REV 6	

REVISIONS					
P	LTR	DESCRIPTION	DATE	DWN	APVD
-	-	SEE SHEET 1	-	-	-

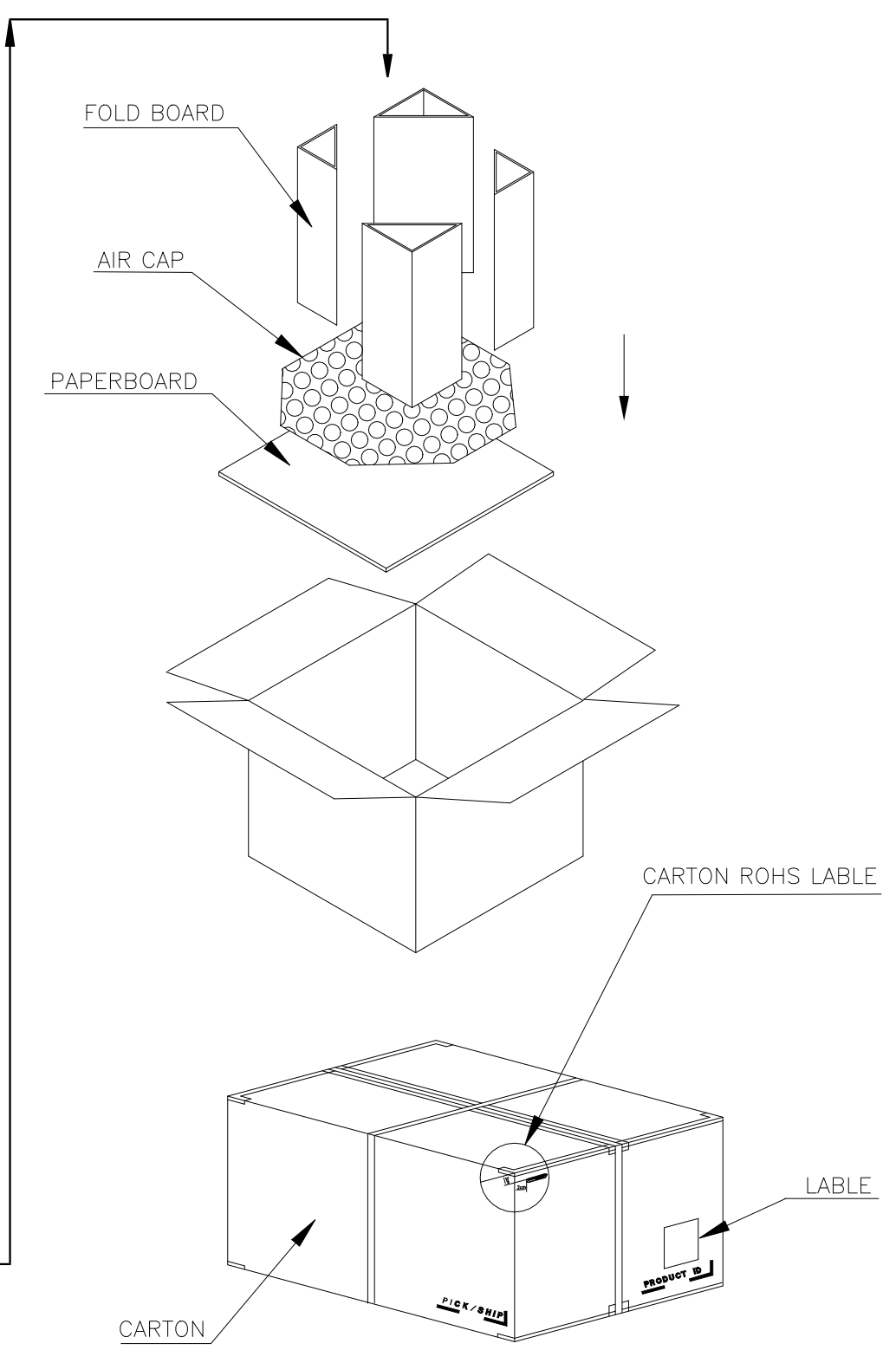
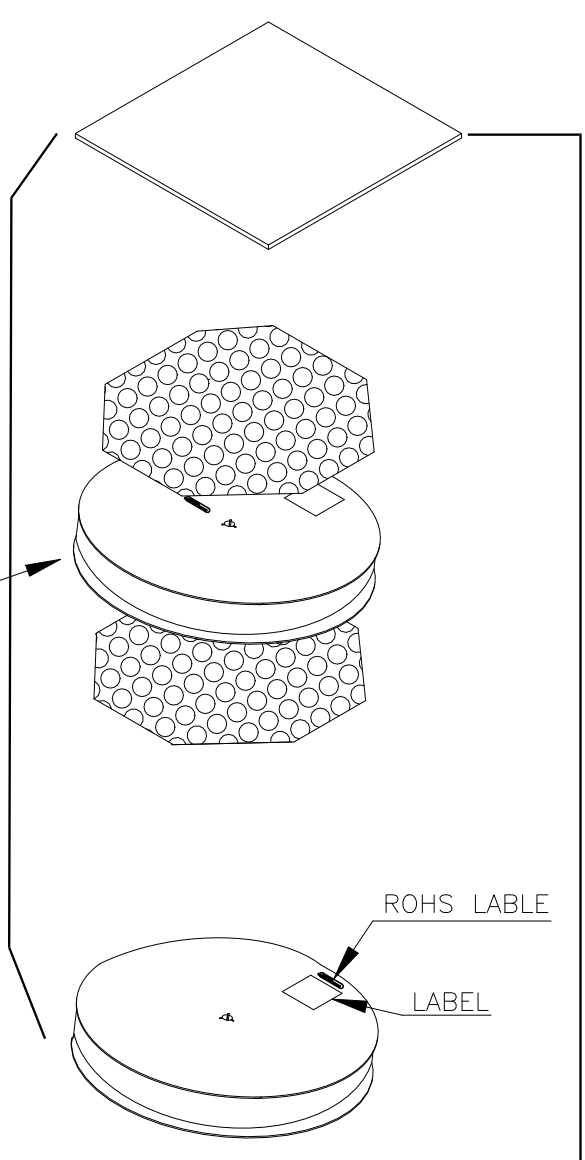
PACKAGE TYPE 2



PULL OUT DIRECTION →



REEL
TOTAL
2 LAYERS



250	2	500	2309413-6
PCS/ REEL	REEL/ CARTON	PCS/ CARTON	PART NUMBER

THIS DRAWING IS A CONTROLLED DOCUMENT.		DWN DAVID ZHAO 09SEP2016	TE Connectivity				
DIMENSIONS: mm		CHK RICHARD MA 09SEP2016					
TOLERANCES UNLESS OTHERWISE SPECIFIED:		APVD SIMON LI 09SEP2016	NAME				
0 PLC ± - 1 PLC ± - 2 PLC ± - 3 PLC ± - 4 PLC ± - ANGLES ± - FINISH		PRODUCT SPEC	DDR4 SODIMM SOCKET 0.5mm PITCH 260POS 9.2mm HEIGHT STANDARD TYPE				
MATERIAL		APPLICATION SPEC	SIZE A2	CAGE CODE 00779	DRAWING NO C=2309413	RESTRICTED TO	
		WEIGHT -	CUSTOMER DRAWING		SCALE -	SHEET 4 of 5	REV 6

X-ON Electronics

Largest Supplier of Electrical and Electronic Components

Click to view similar products for [DIMM Connectors](#) category:

Click to view products by [TE Connectivity](#) manufacturer:

Other Similar products are found below :

[1-1932649-2](#) [1-1761024-0](#) [2309411-5](#) [10116658-252ASLF](#) [5390471-1](#) [2309413-3](#) [78507-0061](#) [KIT-SODIMM-1X16GB/01](#) [10129206-0010013LF](#) [10086891-052TSLF](#) [10079192-11102LF](#) [10116658-152FSLF](#) [10129206-0011113LF](#) [1-2308107-0](#) [2013310-1](#) [2013289-1](#) [390111-1](#) [390112-1](#) [2309413-1](#) [2309407-1](#) [2309414-1](#) [10081530-12208LF](#) [151080-0001](#) [78726-1004](#) [10005639-11107LF](#) [10005639-11109LF](#) [10005639-12207LF](#) [10023061-10207LF](#) [10033853-252FSLF](#) [10033853-052ASLF](#) [10033853-052FSLF](#) [10033853-152FSLF](#) [10033854-052FSLF](#) [10034542-10002LF](#) [10037402-12207LF](#) [10081530-11107LF](#) [10081530-12207LF](#) [10081530-12218LF](#) [10081530-12228LF](#) [10124632-0030001LF](#) [10124806-01006LF](#) [10145226-0241N13LF](#) [59354-052FSLF](#) [59355-052FSLF](#) [DDR4288S0211TF](#) [DDR4288S0511H](#) [DDR4288S0511TF](#) [DDR4288V0123TF](#) [DDR4288V0213TF](#) [DDR502112001K](#)