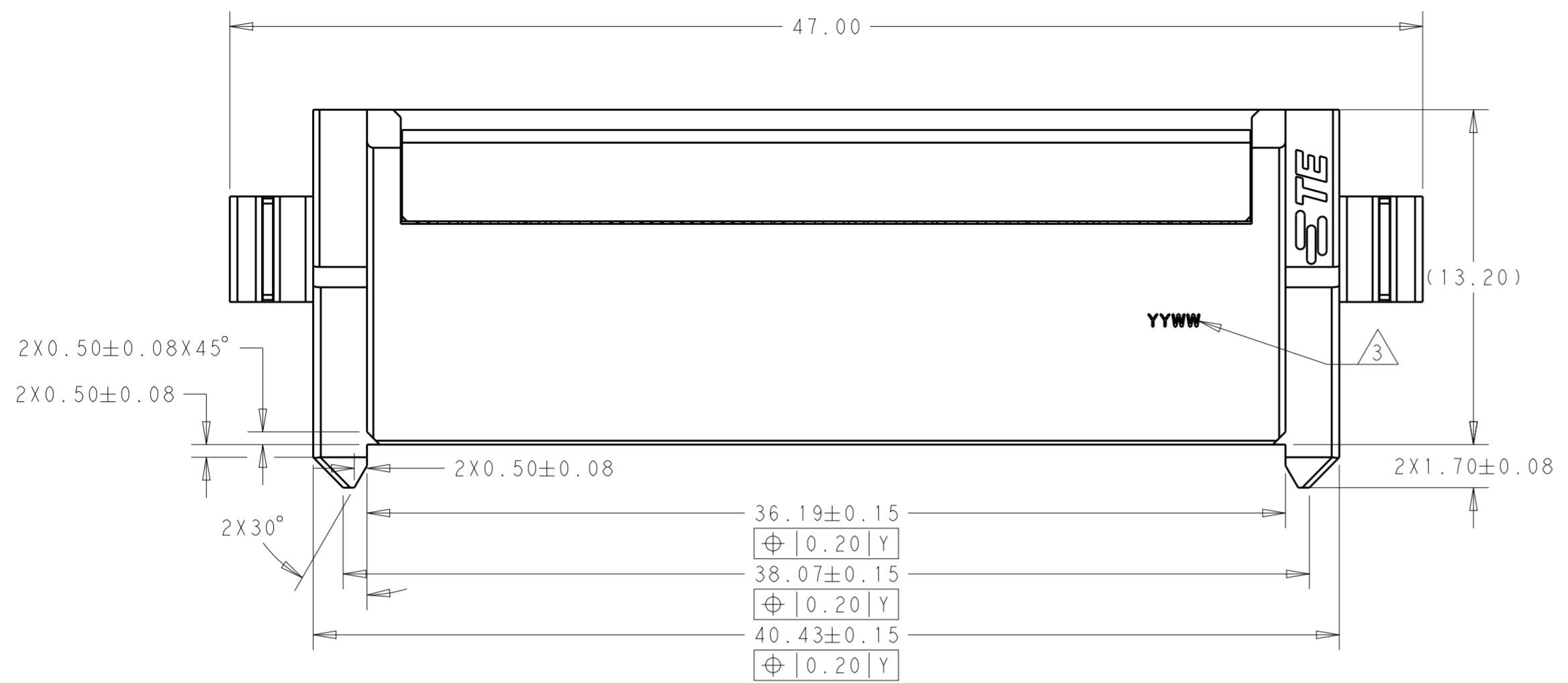
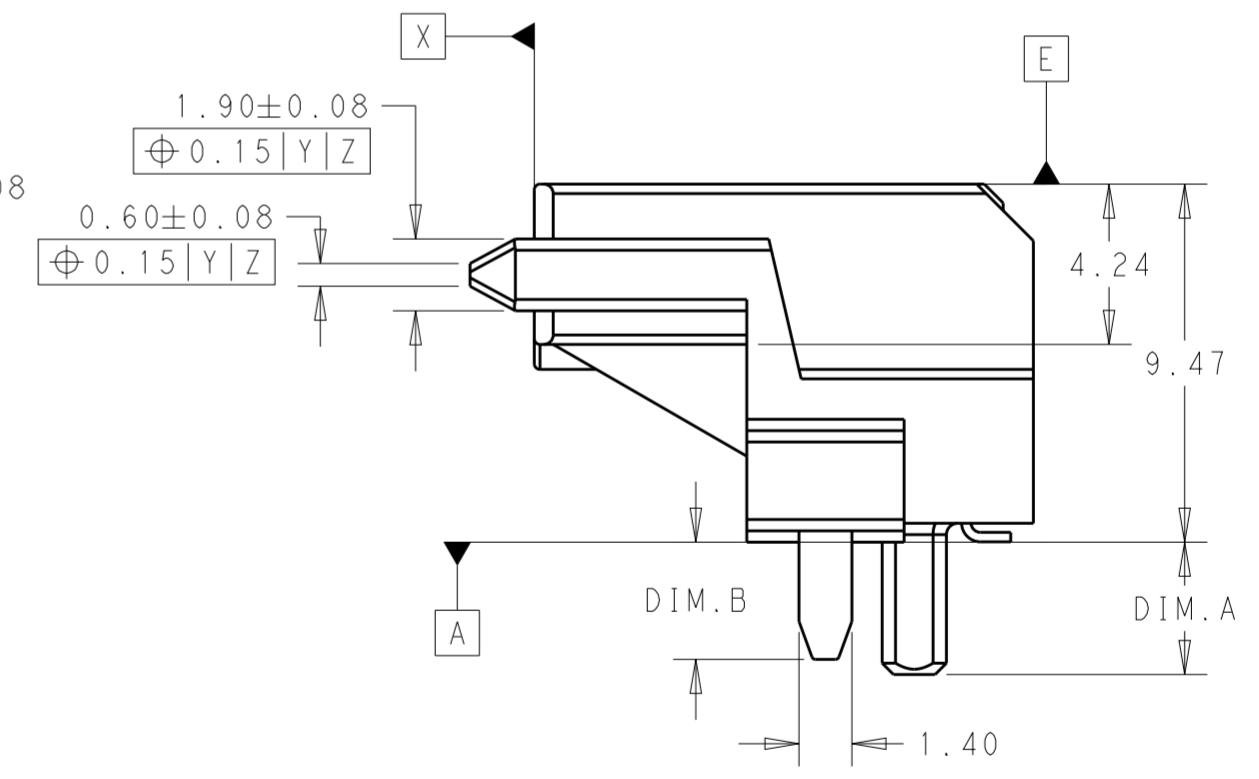
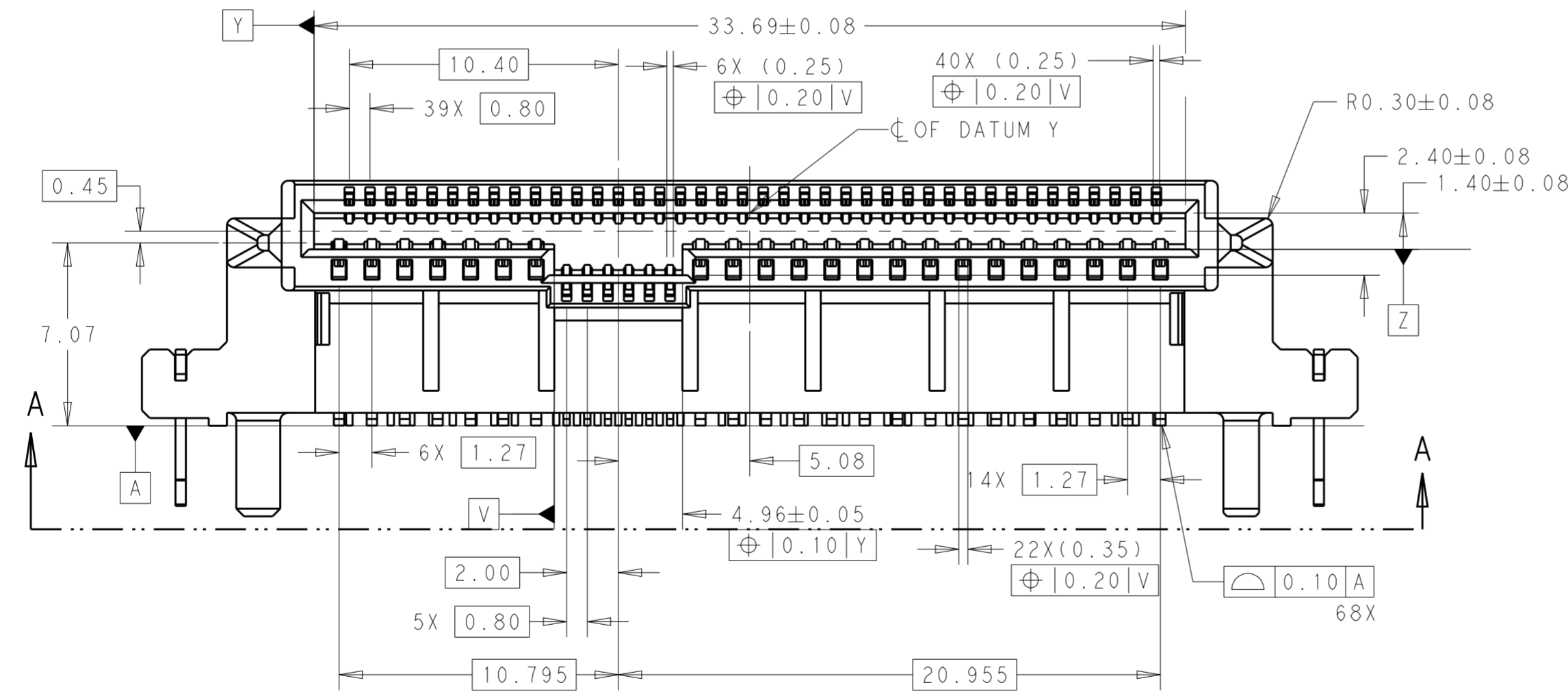


THIS DRAWING IS UNPUBLISHED. RELEASED FOR PUBLICATION
 © COPYRIGHT copyright.d8te- ALL RIGHTS RESERVED.

REVISIONS				
P	LTR	DESCRIPTION	DATE	APVD
A		RELEASED FOR PRODUCTION	20APR2017	TX SH
B		REVISED PER ECO-17-012209	21AUG2017	TX SH
C		REVISED PER ECO-18-008726	04JUN2018	TX SH



NOTES:
 1. MATERIAL:
 HOUSING: LCP, GLASS FILLED.UL 94V-0,COLOR: BLACK
 TERMINAL: COPPER ALLOY
 PCB HOLD-DOWN: COPPER ALLOY
 2. PLATING:
 TERMINAL:
 CONTACT AREA: 0.76um MIN GOLD PLATING
 SOLDER TAIL: 2.54um MIN TIN PLATING
 UNDERPLATE: 1.27um MIN NICKEL PLATING
 PCB HOLD-DOWN: 2.54um MIN TIN OVER 1.27um NICKEL PLATING
 3. DATE LOGO. DATE CODE TO BE LOCATED APPROXIMATELY AS SHOWN.
 NON-FUNCTIONAL CORING MAY VARY.
 4. CONNECTOR COMES WITH A CAP TO BE REMOVED AFTER SOLDERING



TAPE&REEL	2.10	2.10	2309567-2
TAPE&REEL	3.10	3.50	2309567-1
PACKAGE	DIM.B	DIM.A	PART NUMBER

THIS DRAWING IS A CONTROLLED DOCUMENT.

DWN	TIM XUE	14SEP2016
CHK	SEAN HAN	14SEP2016
APVD	SEAN HAN	14SEP2016

TE Connectivity

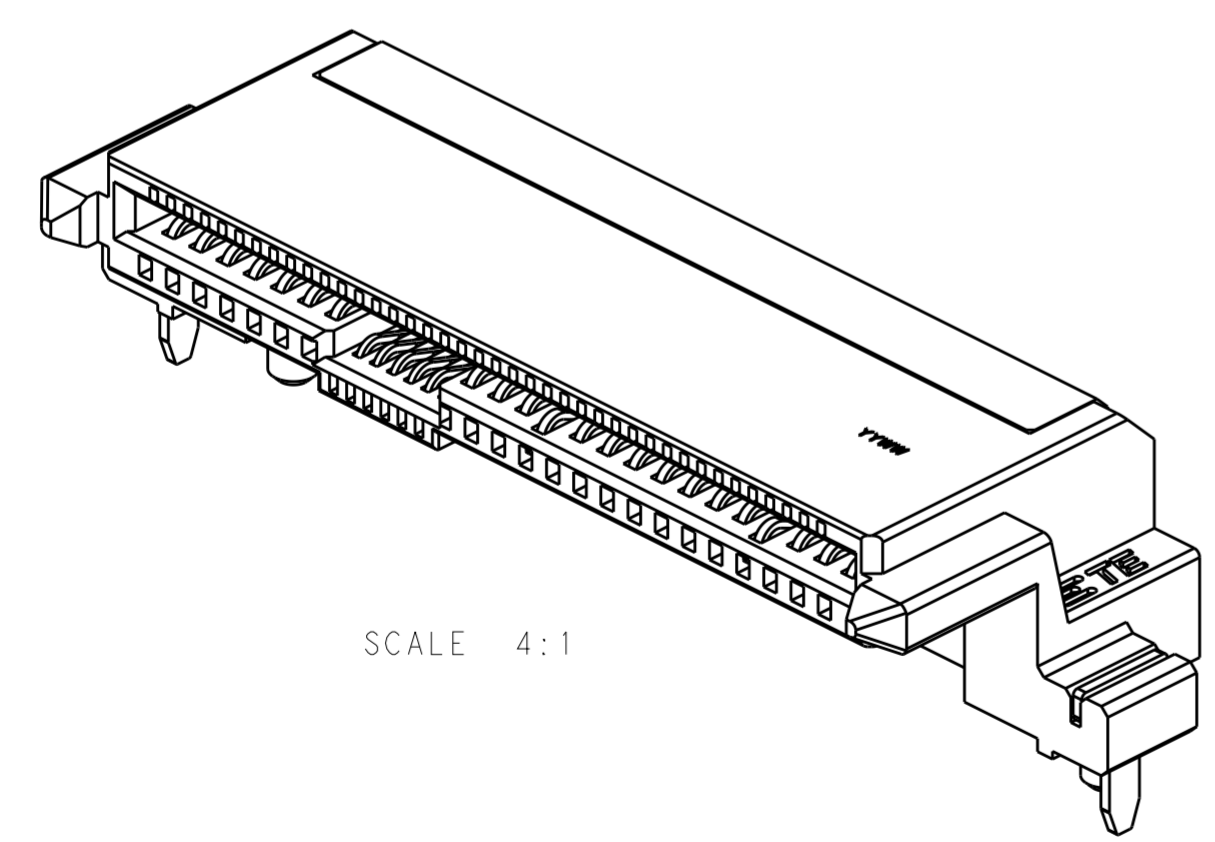
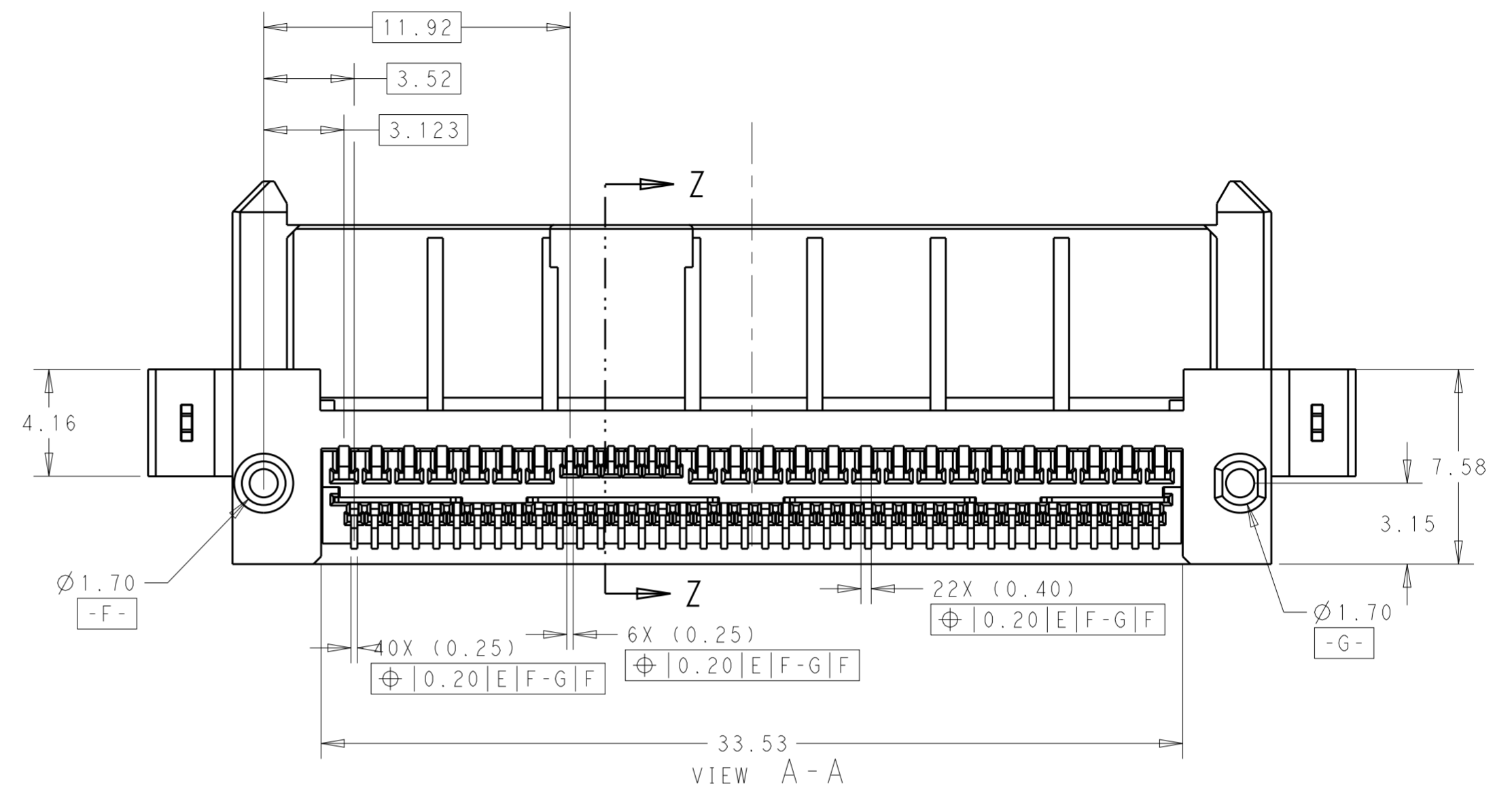
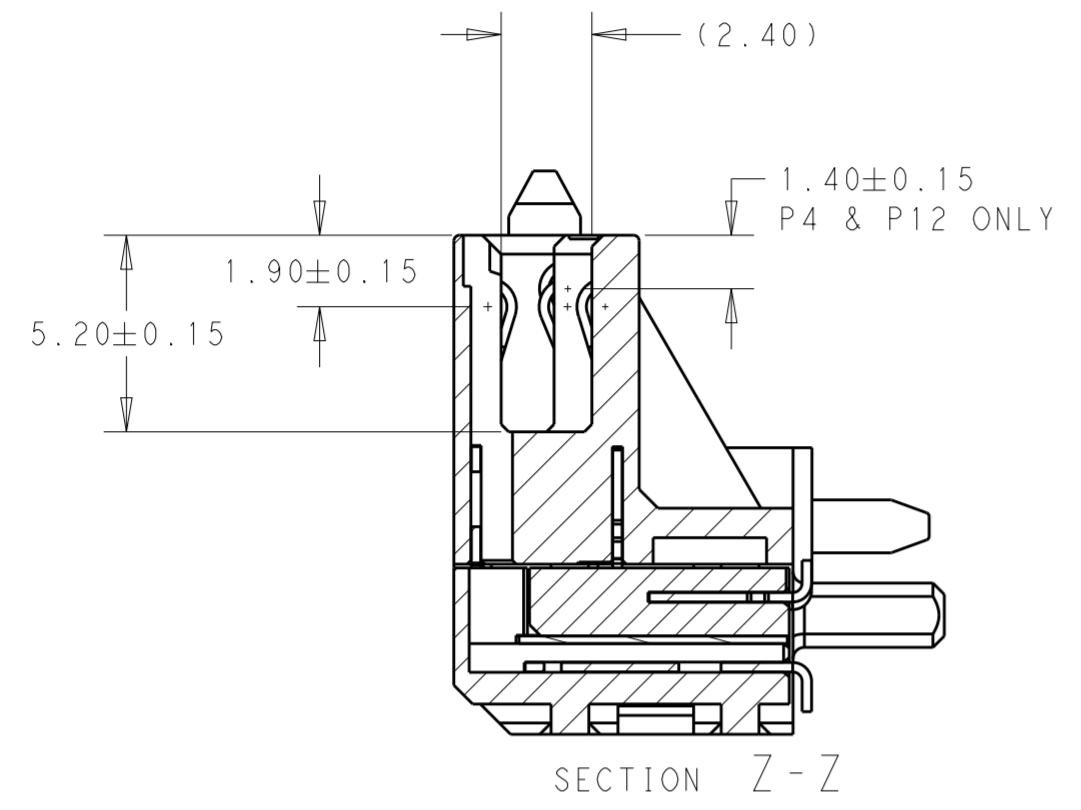
NAME: SAS/PCIE, RECEPTACLE
 SMT, RIGHT ANGLE TYPE

SIZE	CAGE CODE	DRAWING NO	RESTRICTED TO
A2		C-2309567	

CUSTOMER DRAWING SCALE 1:1 SHEET 1 OF 4 REV C

THIS DRAWING IS UNPUBLISHED. RELEASED FOR PUBLICATION
 © COPYRIGHT copyright.d8Te- ALL RIGHTS RESERVED.

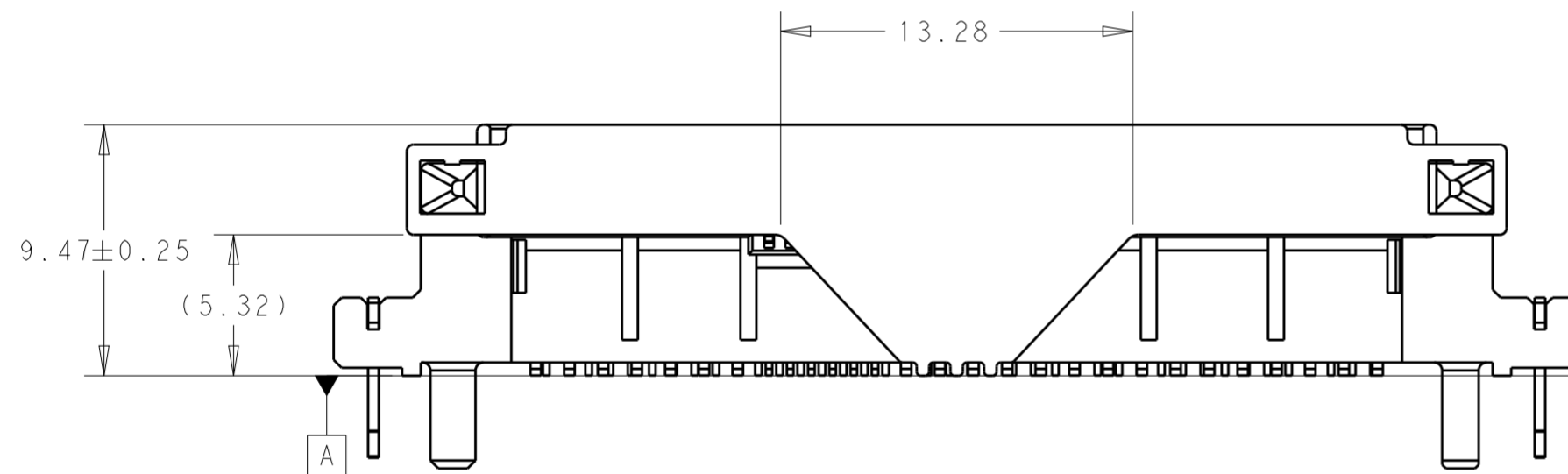
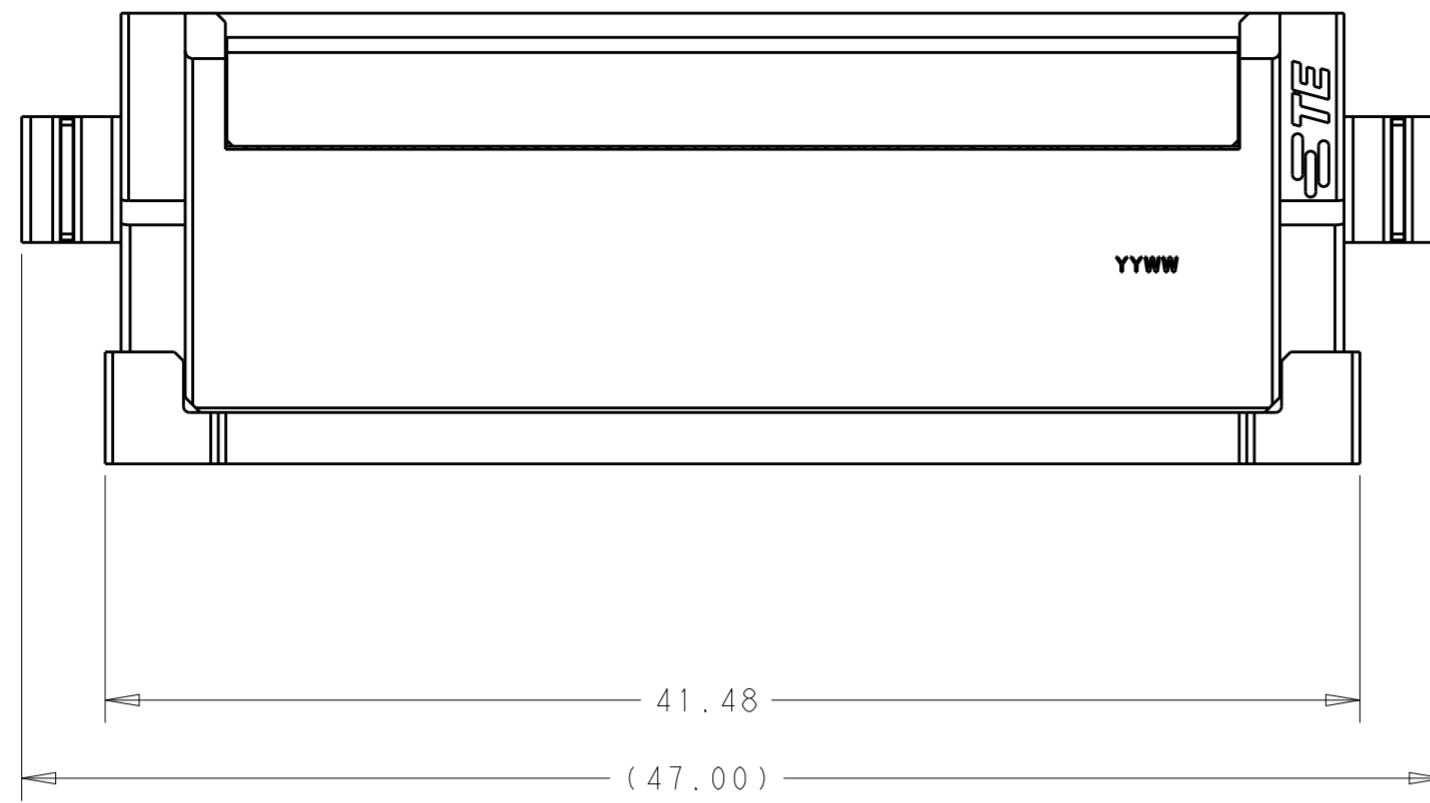
REVISIONS				
P	LTR	DESCRIPTION	DATE	APVD
-	-	SEE SHEET 1	-	-



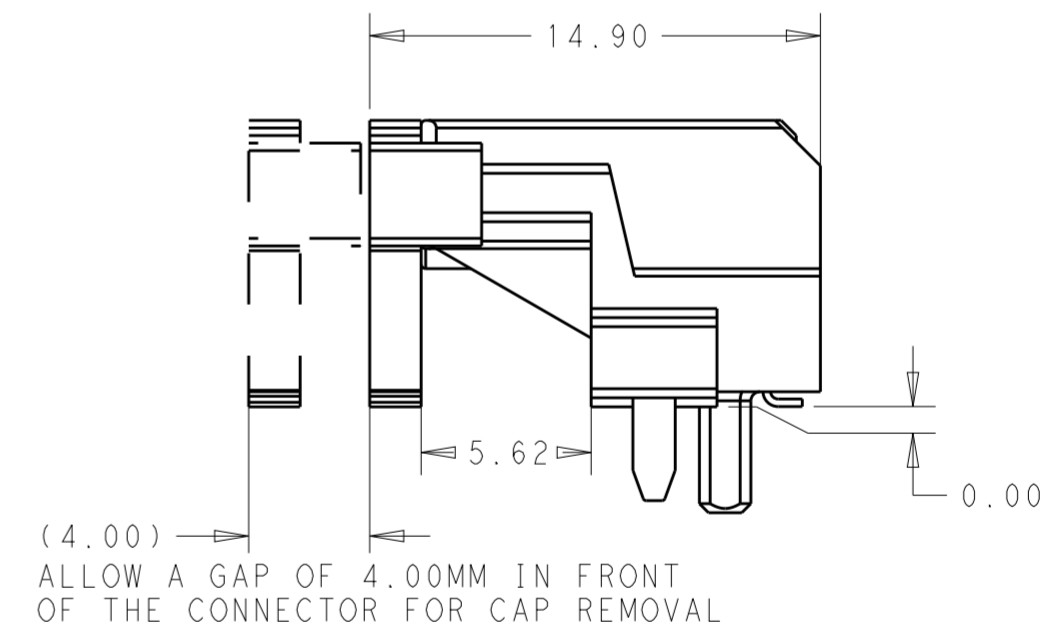
THIS DRAWING IS A CONTROLLED DOCUMENT.		DWN TIM XUE 14SEP2016	TE Connectivity																									
DIMENSIONS:		CHK SEAN HAN 14SEP2016																										
mm	TOLERANCES UNLESS OTHERWISE SPECIFIED:	APVD SEAN HAN 14SEP2016	NAME SAS/PCIe, RECEPTACLE SMT, RIGHT ANGLE TYPE																									
<table border="1"> <tr><td>0 PLC</td><td>±</td></tr> <tr><td>1 PLC</td><td>±0.25</td></tr> <tr><td>2 PLC</td><td>±0.20</td></tr> <tr><td>3 PLC</td><td>±0.20</td></tr> <tr><td>4 PLC</td><td>±</td></tr> <tr><td>ANGLES</td><td>±3°</td></tr> <tr><td>FINISH</td><td>-</td></tr> </table>	0 PLC	±	1 PLC	±0.25	2 PLC	±0.20	3 PLC	±0.20	4 PLC	±	ANGLES	±3°	FINISH	-	<table border="1"> <tr><td>MATERIAL</td><td>-</td></tr> <tr><td>WEIGHT</td><td>-</td></tr> </table>	MATERIAL	-	WEIGHT	-	<table border="1"> <tr><td>PRODUCT SPEC</td><td>-</td></tr> <tr><td>APPLICATION SPEC</td><td>-</td></tr> <tr><td>WEIGHT</td><td>-</td></tr> </table>	PRODUCT SPEC	-	APPLICATION SPEC	-	WEIGHT	-	SIZE A2	CAGE CODE C-2309567
0 PLC	±																											
1 PLC	±0.25																											
2 PLC	±0.20																											
3 PLC	±0.20																											
4 PLC	±																											
ANGLES	±3°																											
FINISH	-																											
MATERIAL	-																											
WEIGHT	-																											
PRODUCT SPEC	-																											
APPLICATION SPEC	-																											
WEIGHT	-																											
CUSTOMER DRAWING			RESTRICTED TO	SCALE 1:1																								
			SHEET 2 OF 4	REV C																								


THIS DRAWING IS UNPUBLISHED. RELEASED FOR PUBLICATION
 © COPYRIGHT copyright.d8Te- ALL RIGHTS RESERVED.

REVISIONS				
P	LTR	DESCRIPTION	DATE	APVD
-	-	SEE SHEET 1	-	-



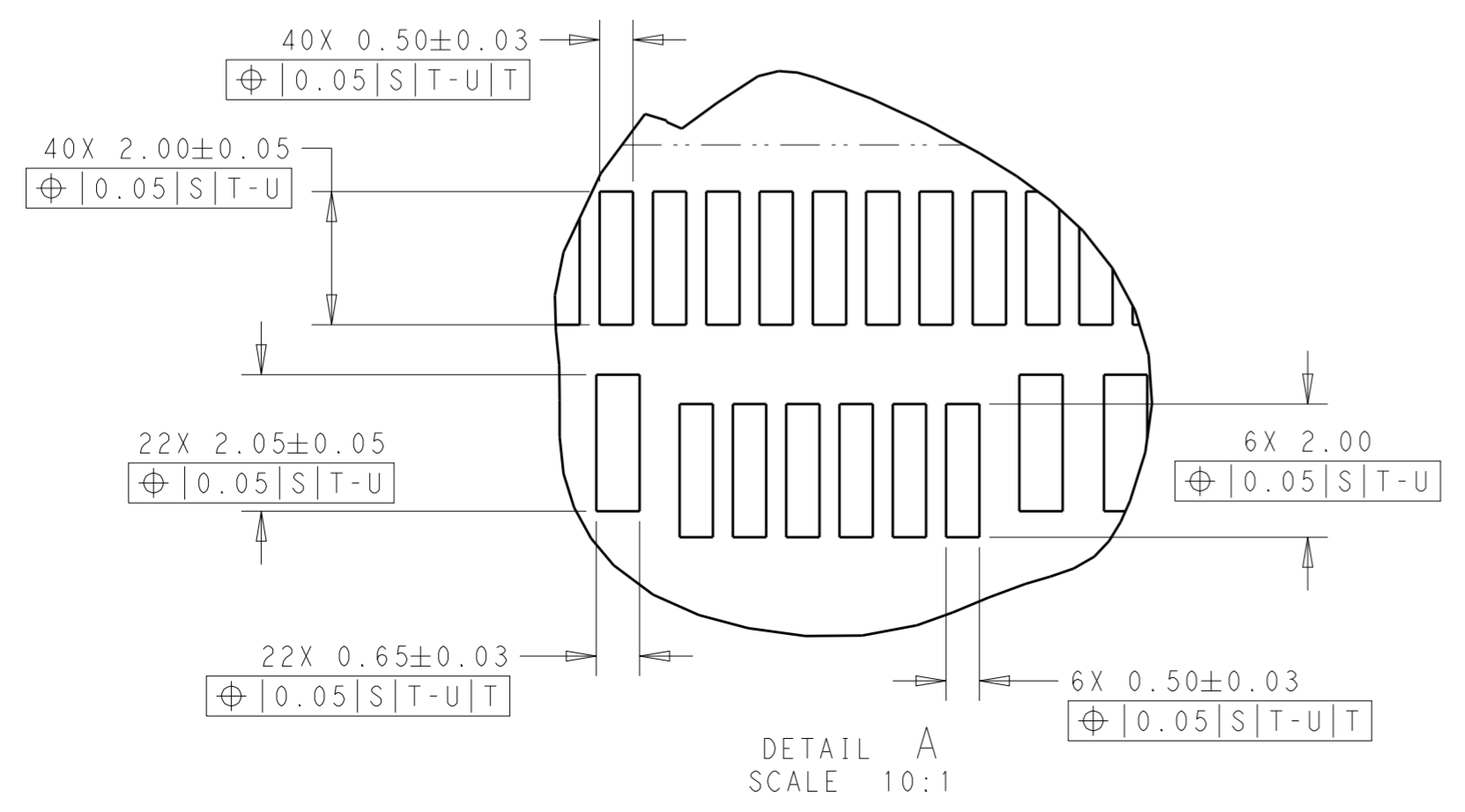
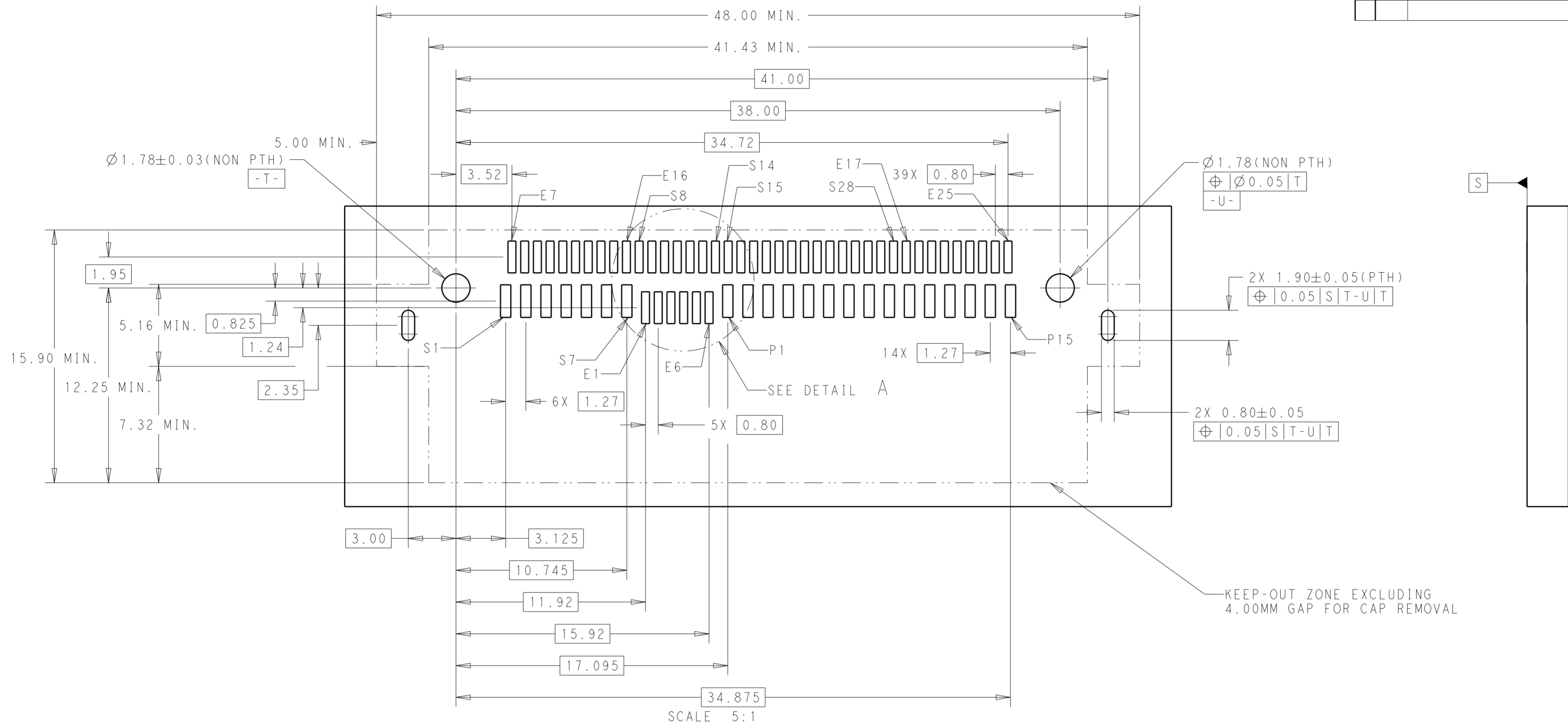
CONNECTOR OUTLINE WITH CAP
 SCALE 4:1



THIS DRAWING IS A CONTROLLED DOCUMENT.		DWN TIM XUE 14SEP2016	 TE Connectivity																						
DIMENSIONS:		CHK SEAN HAN 14SEP2016																							
mm	TOLERANCES UNLESS OTHERWISE SPECIFIED:	APVD SEAN HAN 14SEP2016	NAME SAS/PCIe, RECEPTACLE SMT, RIGHT ANGLE TYPE																						
<table border="0"> <tr> <td>0 PLC</td> <td>±</td> <td></td> </tr> <tr> <td>1 PLC</td> <td>±0.25</td> <td></td> </tr> <tr> <td>2 PLC</td> <td>±0.20</td> <td></td> </tr> <tr> <td>3 PLC</td> <td>±0.20</td> <td></td> </tr> <tr> <td>4 PLC</td> <td>±</td> <td></td> </tr> <tr> <td>ANGLES</td> <td></td> <td>±3°</td> </tr> <tr> <td>FINISH</td> <td></td> <td></td> </tr> </table>	0 PLC	±		1 PLC	±0.25		2 PLC	±0.20		3 PLC	±0.20		4 PLC	±		ANGLES		±3°	FINISH				PRODUCT SPEC -	SIZE A2	
0 PLC	±																								
1 PLC	±0.25																								
2 PLC	±0.20																								
3 PLC	±0.20																								
4 PLC	±																								
ANGLES		±3°																							
FINISH																									
MATERIAL -		APPLICATION SPEC -	CAGE CODE C-2309567	DRAWING NO -																					
		WEIGHT -	RESTRICTED TO -																						
		CUSTOMER DRAWING	SCALE 1:1	SHEET 3 OF 4																					

THIS DRAWING IS UNPUBLISHED. RELEASED FOR PUBLICATION
 © COPYRIGHT copyright.d8Te- ALL RIGHTS RESERVED.

REVISIONS				
P	LTR	DESCRIPTION	DATE	APVD
-	-	SEE SHEET 1	-	-



THIS DRAWING IS A CONTROLLED DOCUMENT.		DWN TIM XUE 14SEP2016	TE Connectivity															
DIMENSIONS: mm		CHK SEAN HAN 14SEP2016																
TOLERANCES UNLESS OTHERWISE SPECIFIED:		APVD SEAN HAN 14SEP2016	NAME SAS/PCIe, RECEPTACLE SMT, RIGHT ANGLE TYPE															
<table border="0"> <tr><td>0 PLC</td><td>±</td></tr> <tr><td>1 PLC</td><td>±0.25</td></tr> <tr><td>2 PLC</td><td>±0.20</td></tr> <tr><td>3 PLC</td><td>±0.20</td></tr> <tr><td>4 PLC</td><td>±</td></tr> <tr><td>ANGLES</td><td>±3°</td></tr> <tr><td>FINISH</td><td>-</td></tr> </table>		0 PLC	±	1 PLC	±0.25	2 PLC	±0.20	3 PLC	±0.20	4 PLC	±	ANGLES	±3°	FINISH	-	PRODUCT SPEC -	SIZE A2	
0 PLC	±																	
1 PLC	±0.25																	
2 PLC	±0.20																	
3 PLC	±0.20																	
4 PLC	±																	
ANGLES	±3°																	
FINISH	-																	
MATERIAL -		APPLICATION SPEC -	DRAWING NO C-2309567															
-		WEIGHT -	RESTRICTED TO -															
CUSTOMER DRAWING		SCALE 1:1	SHEET 4 OF 4 REV C															

X-ON Electronics

Largest Supplier of Electrical and Electronic Components

Click to view similar products for [PCI Express/PCI Connectors](#) category:

Click to view products by [TE Connectivity](#) manufacturer:

Other Similar products are found below :

[UEX220-6U](#) [10039755-10110TLF](#) [1-1871239-2](#) [2170560-2](#) [10125756-980000LF](#) [EB220-3U](#) [10061913-120PLF](#) [GPCP146400111HR](#)
[GPCP442628110HR](#) [GPCP446200120HR](#) [GPCP245400111HR](#) [10082378-10000TLF](#) [87715-9256](#) [MDT580M03001](#) [0877159107](#)
[MDT580M01001](#) [10018783-11000MLF](#) [10018783-11101TLF](#) [10108777-10000ALF](#) [10141523-111T0LF](#) [10145445-10003MLF](#)
[PSASF2130311TR](#) [PSASF3130411TR](#) [7-1734774-7](#) [3-1761465-1](#) [10018784-10111TLF](#) [10039755-10111TLF](#) [10039755-10112TLF](#)
[10018783-10211TLF](#) [10018784-10211TLF](#) [10018784-10212TLF](#) [1761465-2](#) [1871058-1](#) [5-1761465-4](#) [10018783-10200MLF](#) [10018783-](#)
[10213TLF](#) [10018784-10210TLF](#) [10018784-11113TLF](#) [10025026-10001TLF](#) [5145154-8](#) [1871058-4](#) [2041119-2](#) [10018783-10212TLF](#)
[10018784-10102TLF](#) [10018783-11200TLF](#) [SM3ZS067U215-NUT1-R2500](#) [10123371-001TRLF](#) [10018784-10110TLF](#) [6-1734774-7](#) [6-](#)
[1734774-9](#)