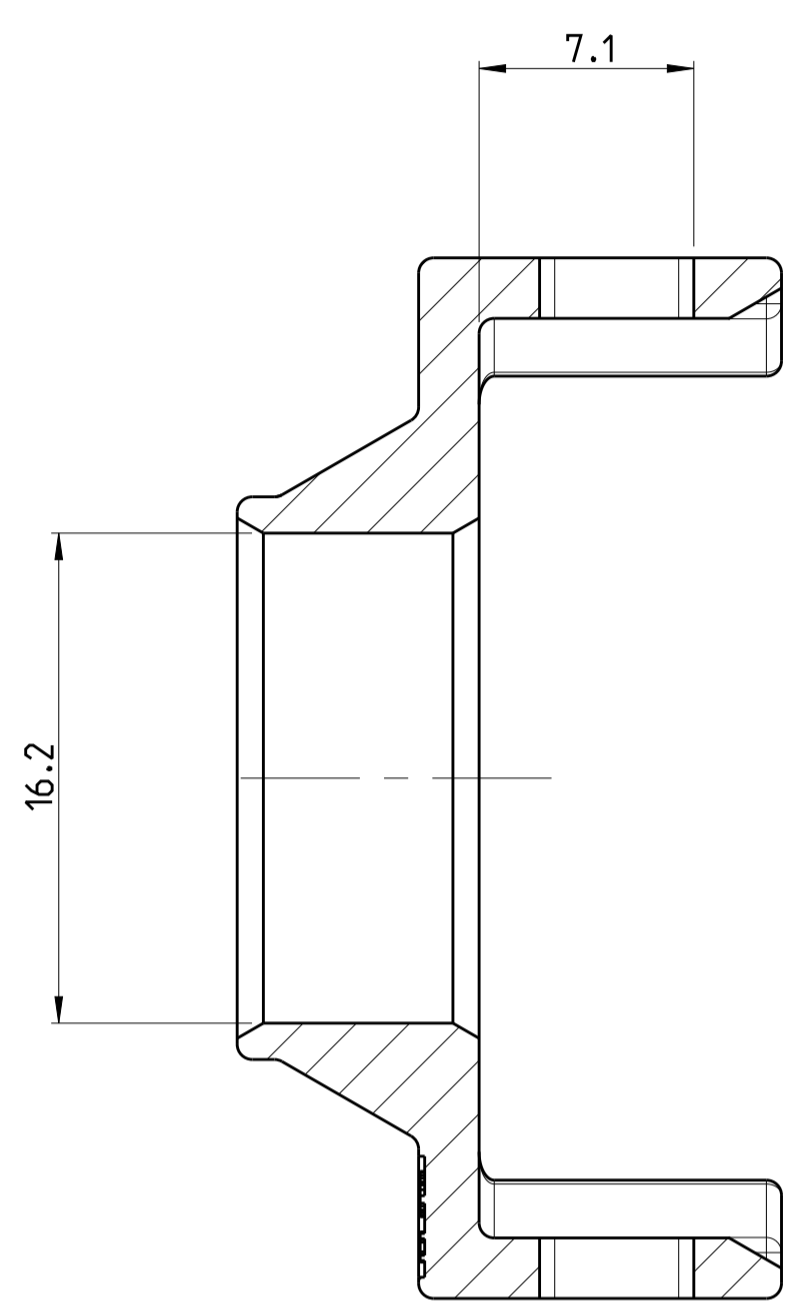
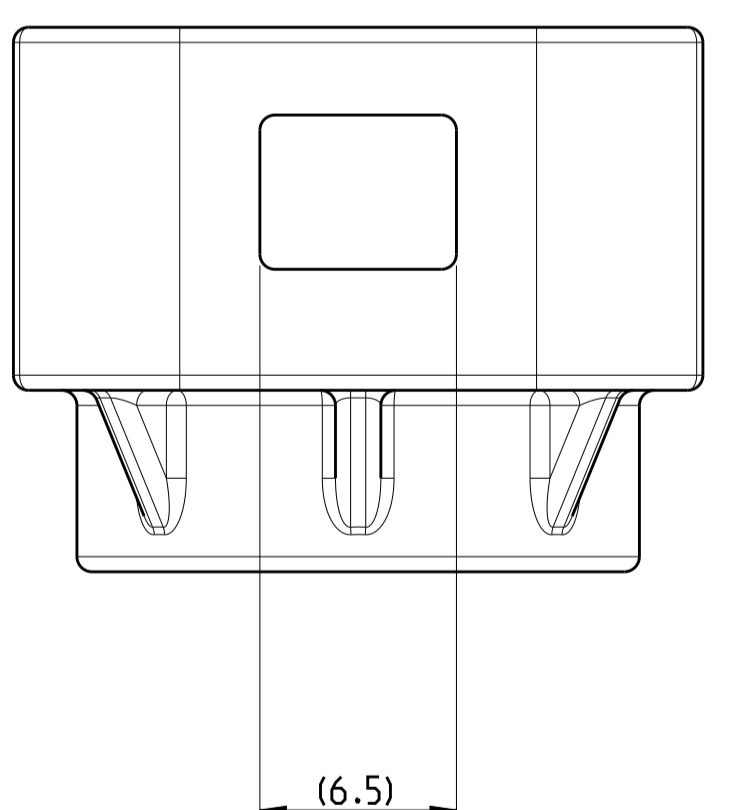
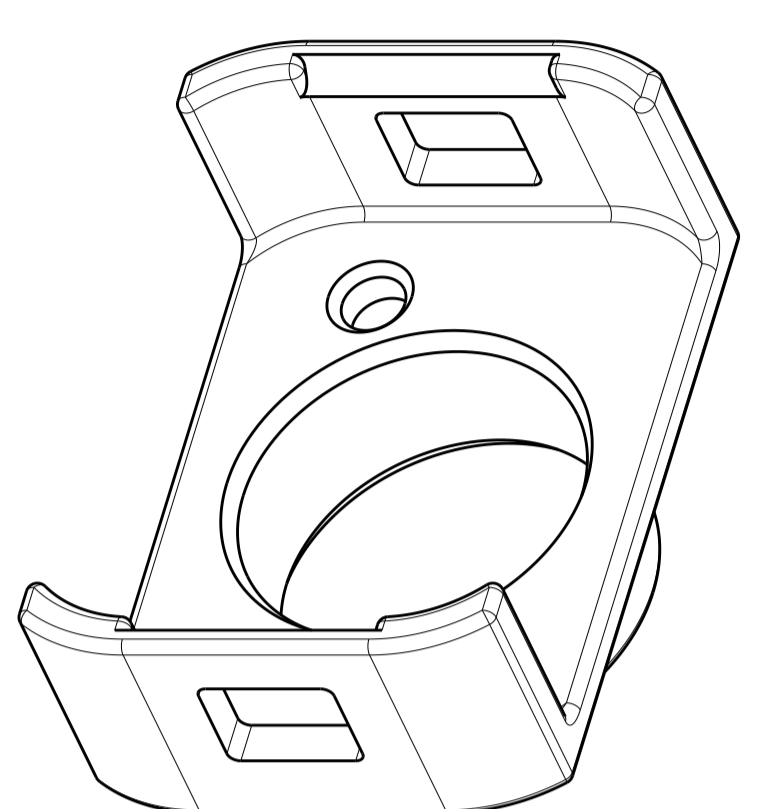
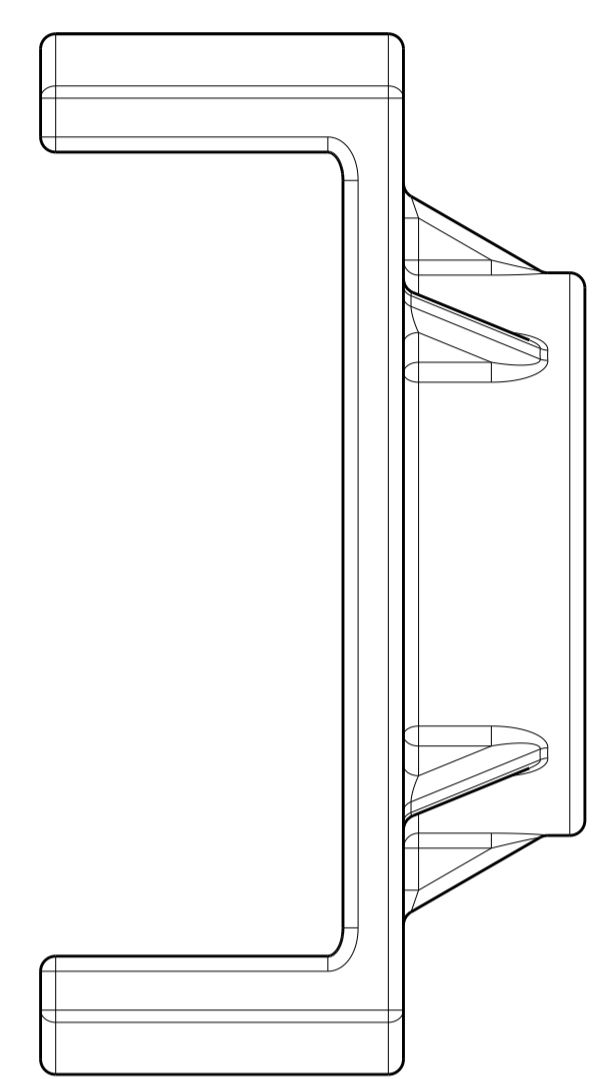
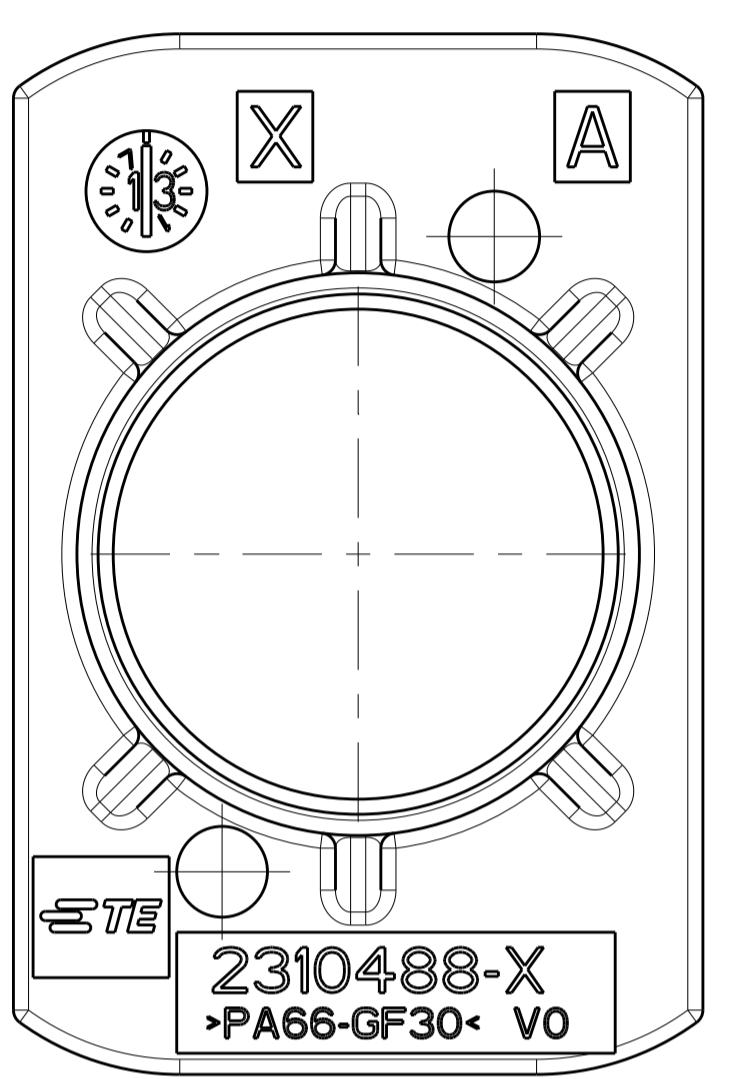


THIS DRAWING IS UNPUBLISHED. RELEASED FOR PUBLICATION
 © COPYRIGHT copyright_date BY - ALL RIGHTS RESERVED.

REVISIONS					
P	LTR	DESCRIPTION	DATE	DWN	APVD
A		RELEASED	18SEP17	JL	IY



A-A



NOTES

- 1 THIS PART IS UL94 V0 VERSION AND RELATED HB VERSION REFER TO TE DRAWING 2141155
- 2 PACKAGING: BULK PACKAGING IN PLASTIC BAG AND CORRUGATED SHIPPING BOX

PART NO	DIM. A	FOR WIRE SIZE [mm ²]	MATERIAL	DESCRIPTION	WEIGHT (g)	SURFACE COLOR
2310488-3	12.6	25	PA66-GF UL94 V0	PROTECTION COVER	(3.3)	ORANGE
2310488-2	14.8	35	PA66-GF UL94 V0	PROTECTION COVER	(3.3)	ORANGE
2310488-1	16.2	50	PA66-GF UL94 V0	PROTECTION COVER	(3.3)	ORANGE

THIS DRAWING IS A CONTROLLED DOCUMENT.		DWN: 12SEP2017	STE TE Connectivity															
DIMENSIONS: mm		J.L.I. 15SEP2017																
TOLERANCES UNLESS OTHERWISE SPECIFIED: ±0.3		CHK: E.JIANG	NAME: PROTECTION COVER															
<table border="1"> <tr><td>0 PLC</td><td>±0.3</td></tr> <tr><td>1 PLC</td><td>±0.3</td></tr> <tr><td>2 PLC</td><td>±0.3</td></tr> <tr><td>3 PLC</td><td>±0.3</td></tr> <tr><td>4 PLC</td><td>±0.3</td></tr> <tr><td>ANGLES</td><td>±1°</td></tr> <tr><td>FINISH</td><td></td></tr> </table>		0 PLC	±0.3	1 PLC	±0.3	2 PLC	±0.3	3 PLC	±0.3	4 PLC	±0.3	ANGLES	±1°	FINISH		APVD: 18SEP2017	SIZE: A1	
0 PLC	±0.3																	
1 PLC	±0.3																	
2 PLC	±0.3																	
3 PLC	±0.3																	
4 PLC	±0.3																	
ANGLES	±1°																	
FINISH																		
MATERIAL: SEE TABLE		PRODUCT SPEC	CAGE CODE: 00779															
		APPLICATION SPEC	DRAWING NO: 2310488															
		WEIGHT	SCALE: 4:1															
		CUSTOMER DRAWING	SHEET 1 OF 1															
			REV A															

X-ON Electronics

Largest Supplier of Electrical and Electronic Components

Click to view similar products for [Automotive Connectors](#) category:

Click to view products by [TE Connectivity](#) manufacturer:

Other Similar products are found below :

[003-018-000](#) [60993906-B](#) [72.330.1035.1](#) [F358300-B](#) [F407400](#) [776880-1](#) [827153-1](#) [8N1515-32-24P](#) [9-1326729-8](#) [925474-1](#) [928905-1](#)
[964562-4](#) [968782-1](#) [98891-1012](#) [12004475-L](#) [12041318-B](#) [12052466](#) [12015909](#) [1-21030-1](#) [12041318](#) [12047957](#) [12185550](#) [12336-12](#)
[12147304](#) [1-326211-1](#) [13681974](#) [13783086](#) [13832576](#) [13542772](#) [13675513](#) [1428188-1](#) [1437287-3](#) [1428188-2](#) [DS07-19S-5020](#) [1456983-5](#)
[1456987-7](#) [APD-7CP-H](#) [APK-SB25A10L](#) [1452931-2](#) [15336198](#) [15491972](#) [15305306](#) [15396680](#) [15425613](#) [15518544](#) [15522351](#) [1719636-1](#)
[172190-2](#) [172190-5](#) [192900-0402](#)