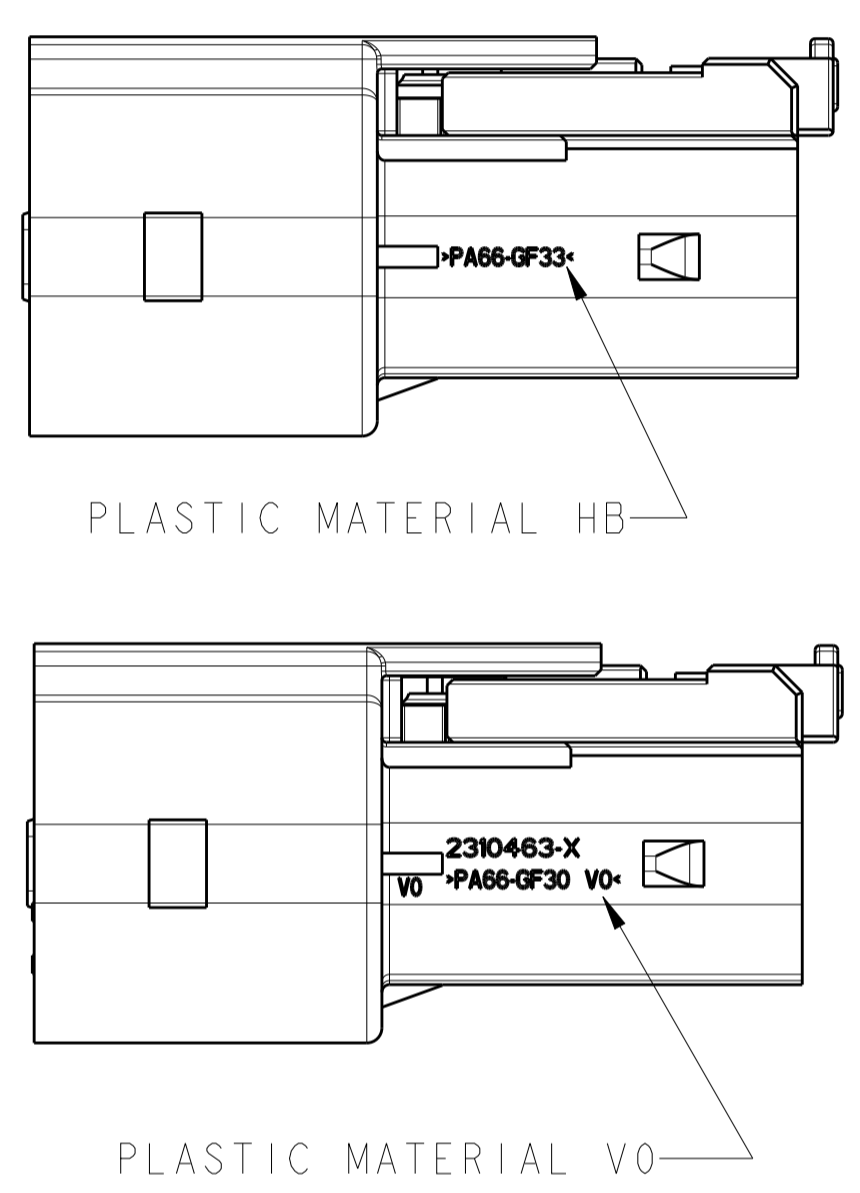
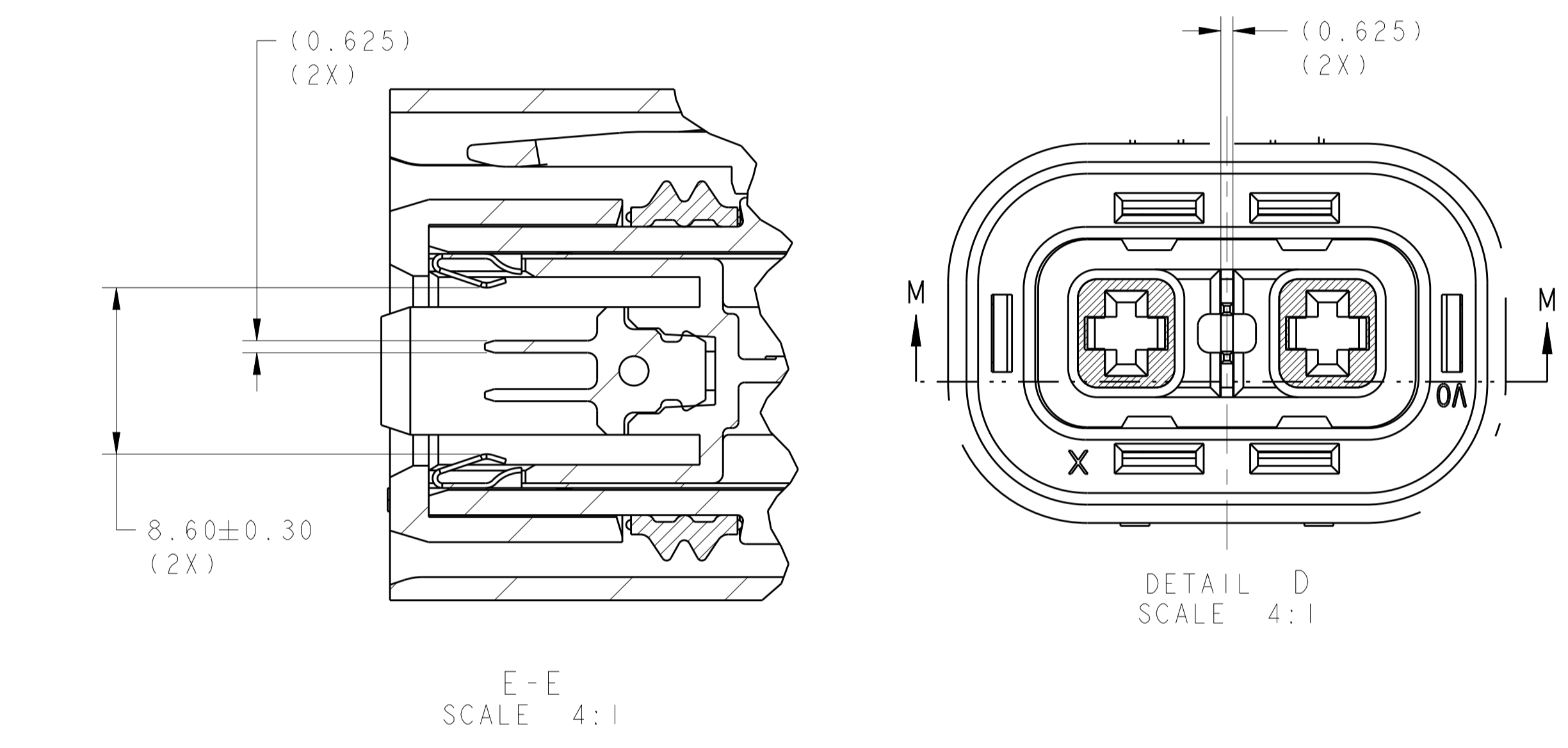
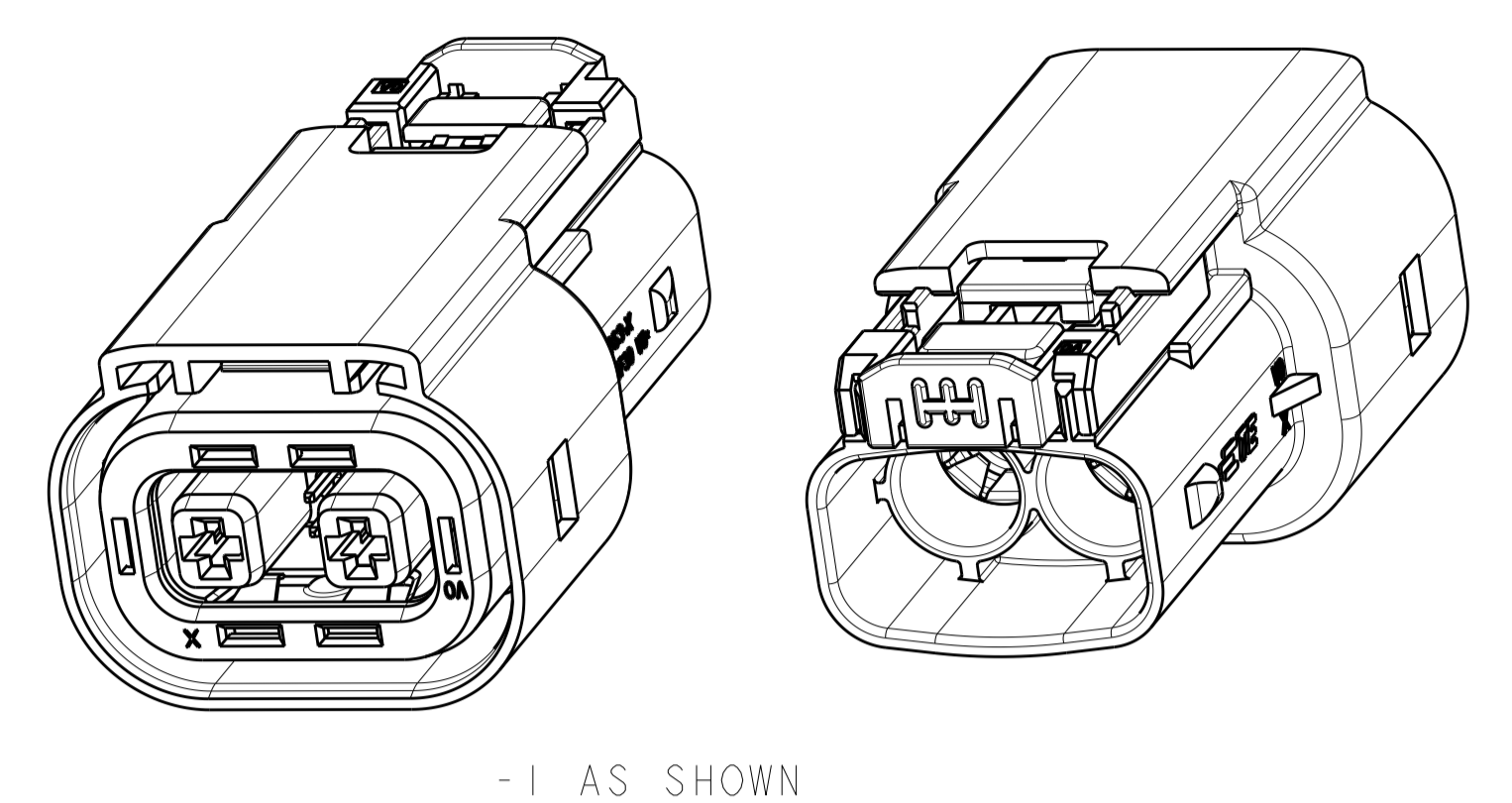
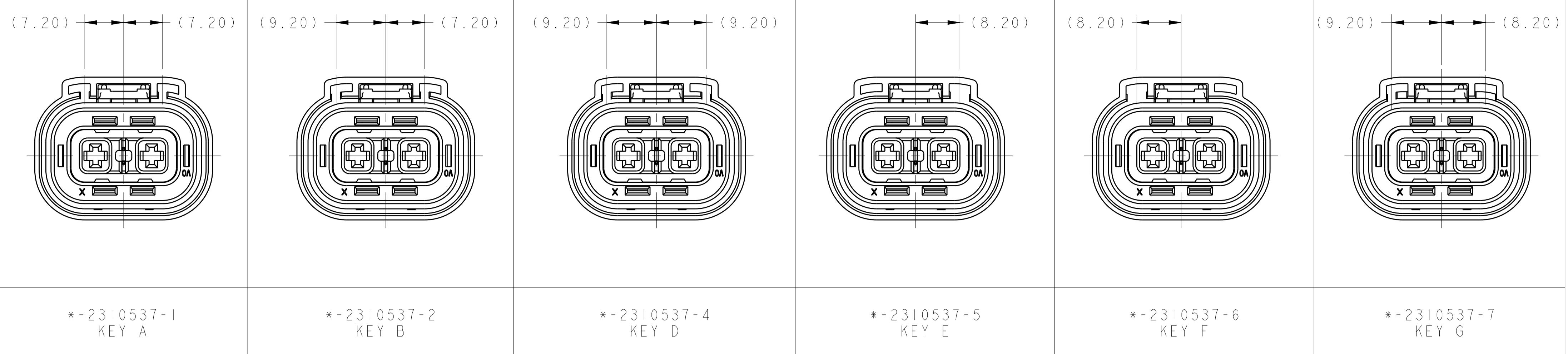
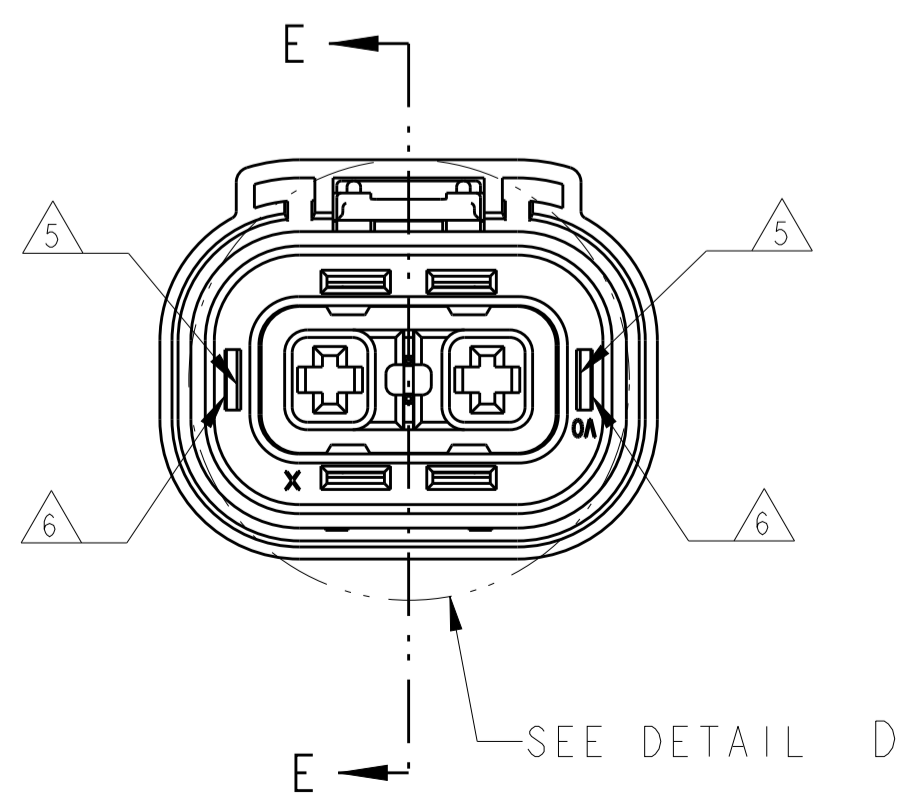
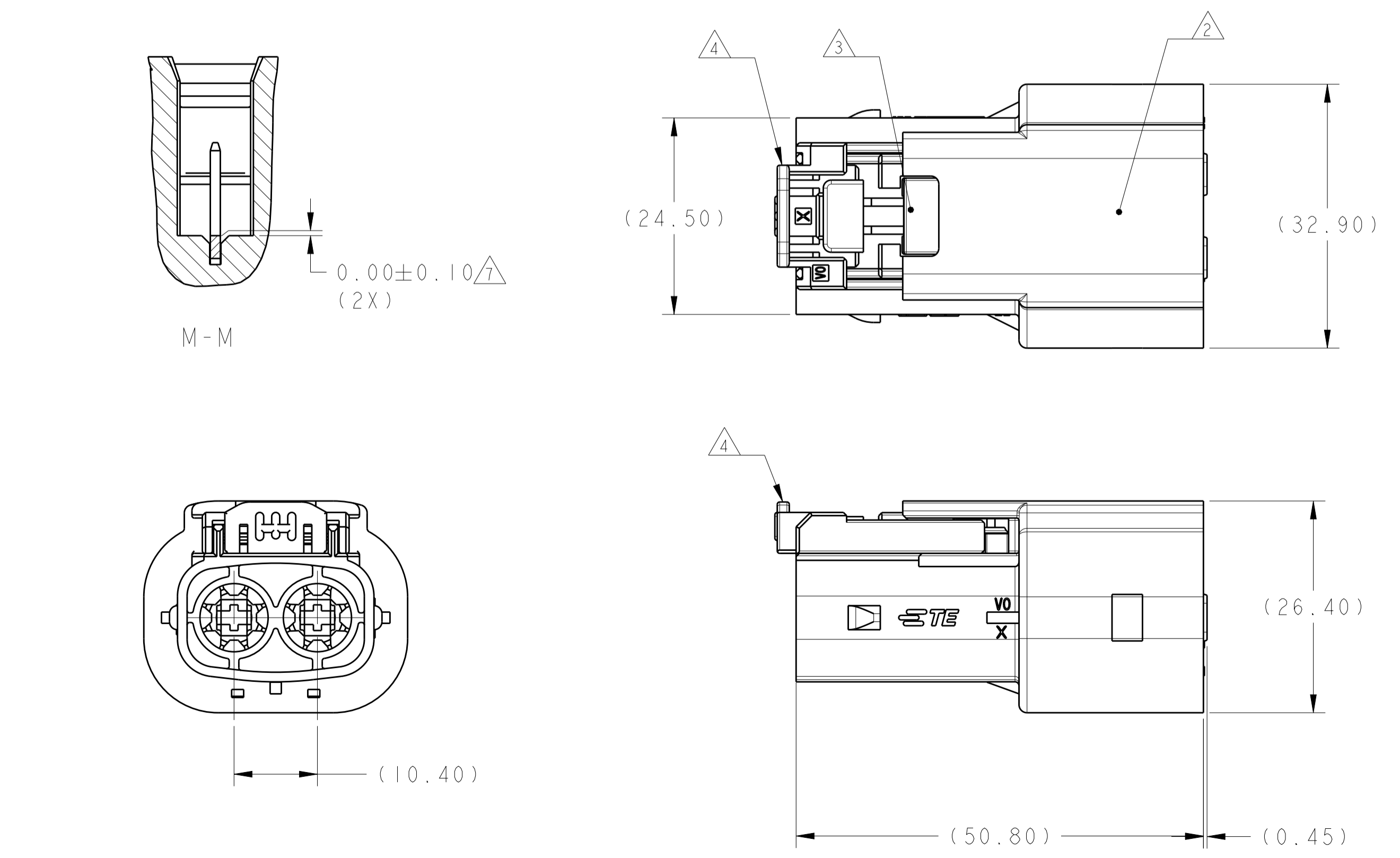


REVISIONS				
P.	LTN	DESCRIPTION	DATE	OWN APVD
B2		REVISION (ECR-19-005351)	17MAY19	R.Z E.J
B3		REVISION (ECR-19-018340)	25NOV19	R.Z E.J
-	-	-	-	-
-	-	-	-	-



1. CONNECTOR MUST BE FREE OF ANY MECHANICAL DEFECTS WHICH MAY AFFECT FIT, FORM, OR PERFORMANCE
2. PART NUMBER AND ASSEMBLY DATE CODE MARKED IN THIS AREA
3. FLOATING LATCH MUST BE FULLY INSTALLED AS SHOWN
4. CPA, WHEN PRESENT MUST BE INSTALLED IN PRE-STAGE POSITION AS SHOWN
5. INNER HOUSING SUB ASSEMBLY MUST BE FULLY LOCKED IN TWO LOCATIONS INTO OUTER HOUSING. INSPECTION PRIOR TO ASSEMBLY OF PERIPHERAL SEAL RETAINER PERMITTED
6. PERIPHERAL SEAL RETAINER MUST BE FULLY LOCKED IN TWO LOCATIONS INTO OUTER HOUSING.
7. MEASURE EACH STAMPING SHOULDER FLUSH CONDITION TO NEIGHBORING PLASTIC SURFACE
8. SHIELDING INFORMATION AND FIRE RETARDANT CLASS FOR PLASTIC PART SEE BELOW TABLE.

P/N	SHIELDING INFO	FIRE RETARDANT CLASS OF PLASTIC MATERIAL	REFERENCE DRAWING (P/N) FOR MISSING DIMENSION
2310537-1	CuSn4 Sn PLATING OVER Ni	V0	4-2103177-1
2310537-2			4-2103177-2
2310537-4			4-2103177-4
2310537-5			4-2103177-5
2310537-6			4-2103177-6
2310537-7			4-2103177-7
2-2310537-1			CuSn4 Sn PLATING OVER Ni
2-2310537-2	4-2103177-2		
2-2310537-3	4-2103177-3		
2-2310537-4	4-2103177-4		
2-2310537-5	4-2103177-5		
2-2310537-6	4-2103177-6		
2-2310537-7	4-2103177-7		



THIS DRAWING IS A CONTROLLED DOCUMENT. DWN: R. ZHANG 14OCT2016
 CHK: S.Y. WANG 10JUL2017
 APVD: J. YIN 27JUL2017

DIMENSIONS: mm
 TOLERANCES UNLESS OTHERWISE SPECIFIED:
 0-10 P.C. ±0.2
 10-25 P.C. ±0.25
 25-50 P.C. ±0.3
 50-100 P.C. ±0.4
 100-150 P.C. ±0.5
 150-200 P.C. ±0.6
 200-250 P.C. ±0.7
 250-300 P.C. ±0.8
 300-400 P.C. ±1.0
 400-500 P.C. ±1.2
 500-600 P.C. ±1.5
 600-800 P.C. ±2.0
 800-1000 P.C. ±2.5

PRODUCT SPEC: Refer to 108-2394
 APPLICATION SPEC: Refer to 114-13259

NAME: PLUG ASSY HVA280-2PHI
 SIZE: A1
 CAGE CODE: -
 DRAWING NO: C=2310537
 RESTRICTED TO: REV B3

CUSTOMER DRAWING SCALE: 2:1 SHEET 1 OF 1

X-ON Electronics

Largest Supplier of Electrical and Electronic Components

Click to view similar products for [Headers & Wire Housings](#) category:

Click to view products by [TE Connectivity](#) manufacturer:

Other Similar products are found below :

[0015917161](#) [0022155065](#) [57102-F02-18ULF](#) [58102-G61-06LF](#) [582553-1](#) [01.001.5753.1](#) [0050291907](#) [02.125.8002.8](#) [609-3404](#) [61062-3](#)
[CSU011177004](#) [622-0430](#) [622-3653LF](#) [63453-116](#) [636-1030](#) [636-1427](#) [636-3427](#) [636-4007](#) [641938-9](#) [65495-038](#) [65692-001LF](#) [65781-018](#)
[65781-047](#) [65817-010LF](#) [65817-015LF](#) [67095-007LF](#) [67601157](#) [68631-112](#) [68645-018](#) [699319-000](#) [70.362.1628.0](#) [70-4210](#) [70-4226B](#) [70-](#)
[4853B](#) [71.350.2428.0](#) [733-134](#) [733-162](#) [760-3052](#) [MHR-64-VUAL](#) [80.063.4001.1](#) [800-90-001-10-001000](#) [801-43-002-10-013000](#)
[801-43-006-10-002000](#) [803-43-024-10-001000](#) [803-93-012-10-001000](#) [8-1437020-4](#) [819-22-004-30-001101](#) [820-22-006-30-001101](#)
[820-22-008-30-001101](#) [821-22-002-10-001101](#)