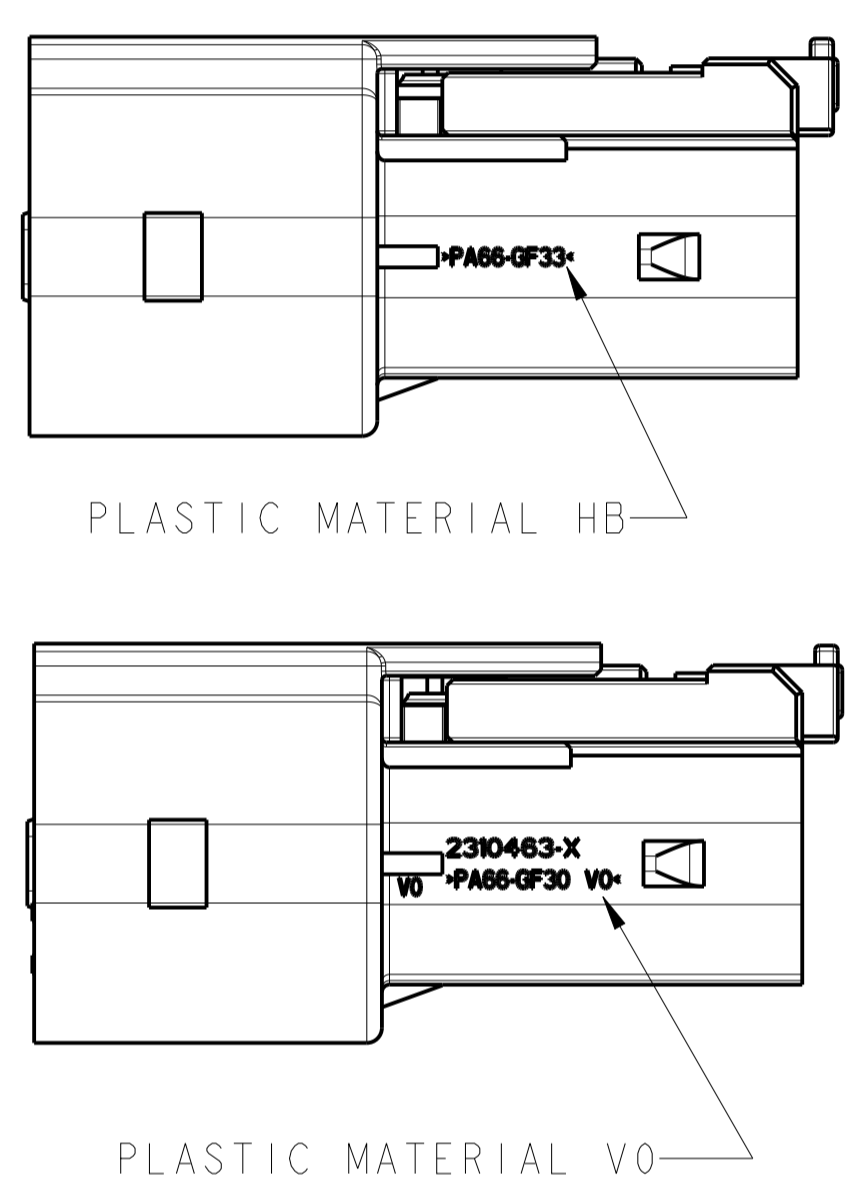
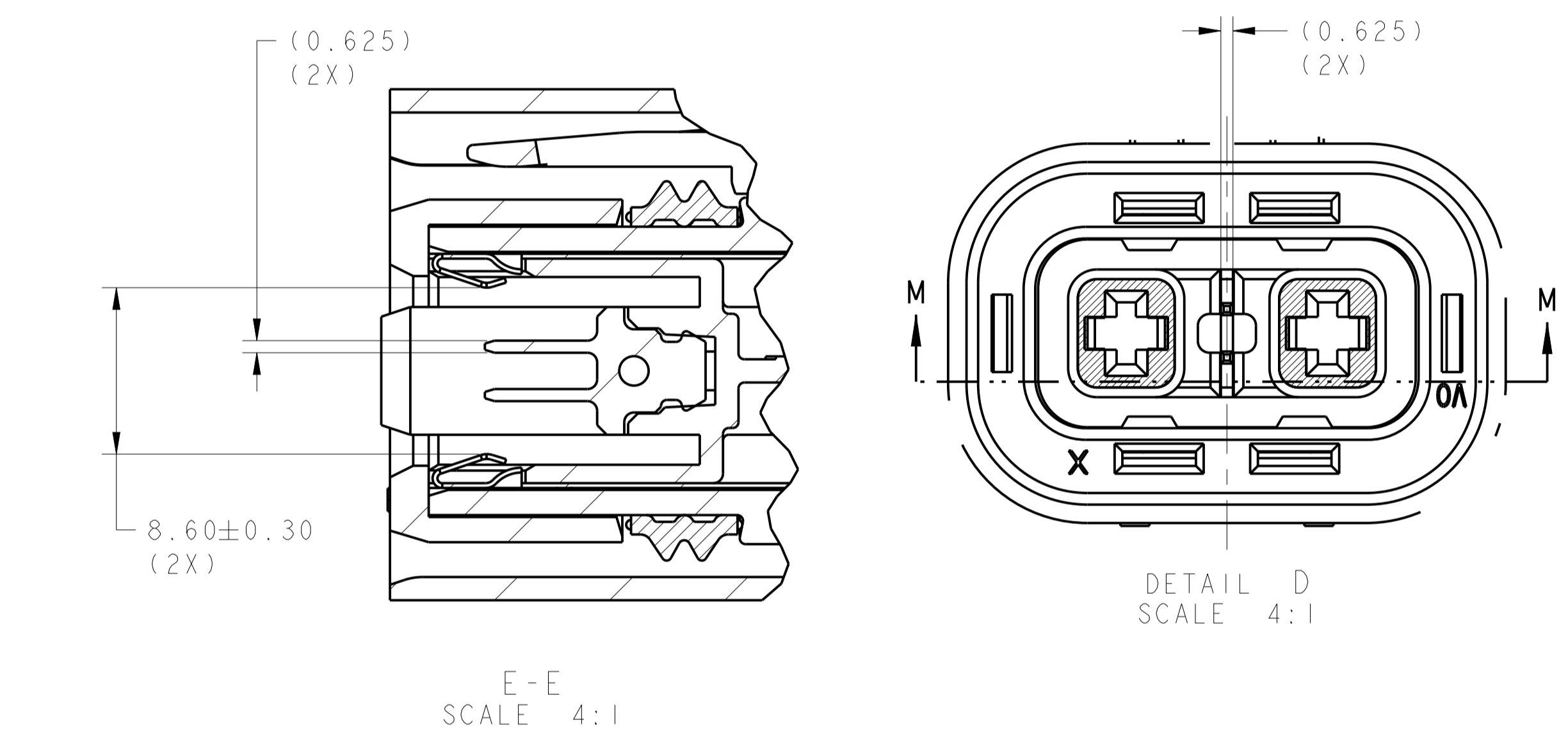
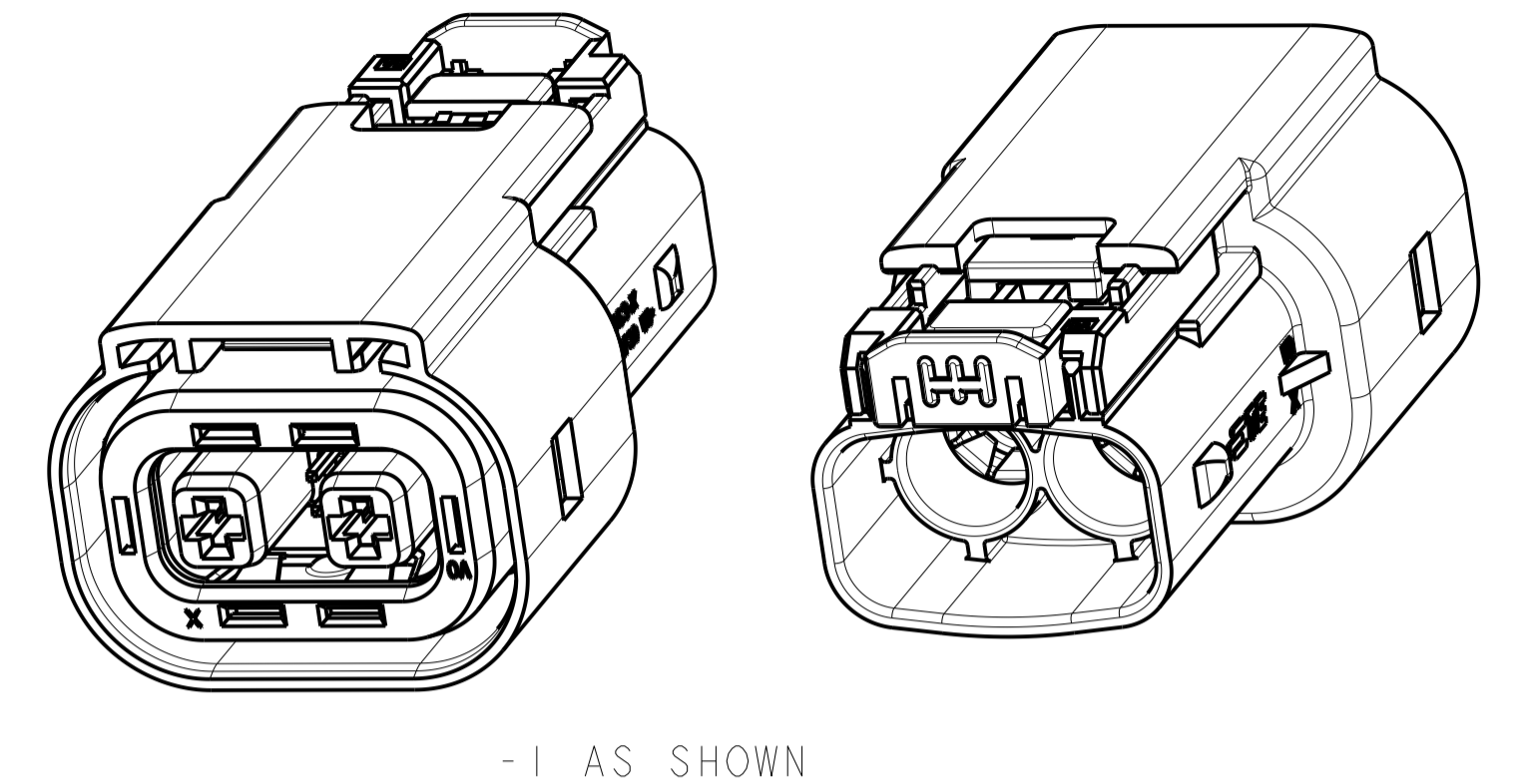
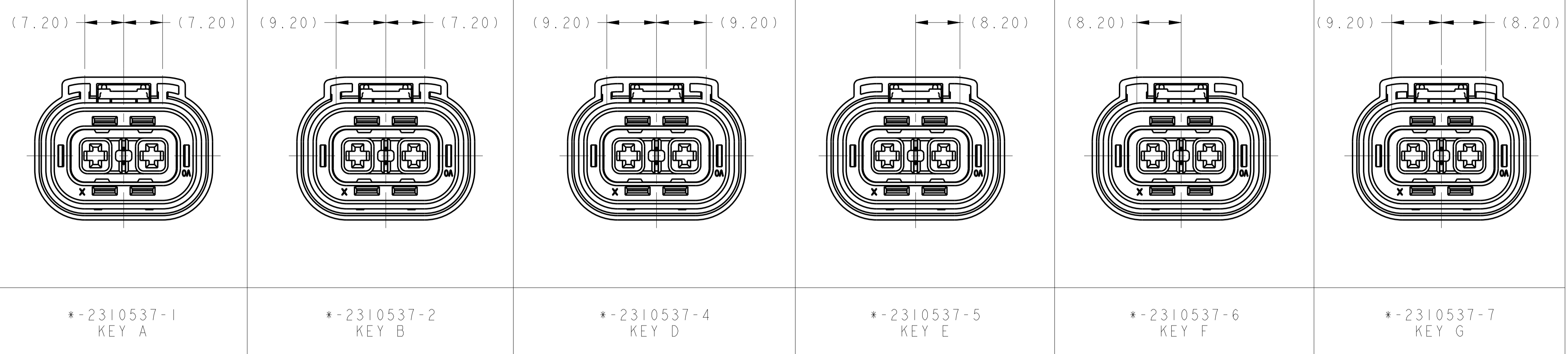
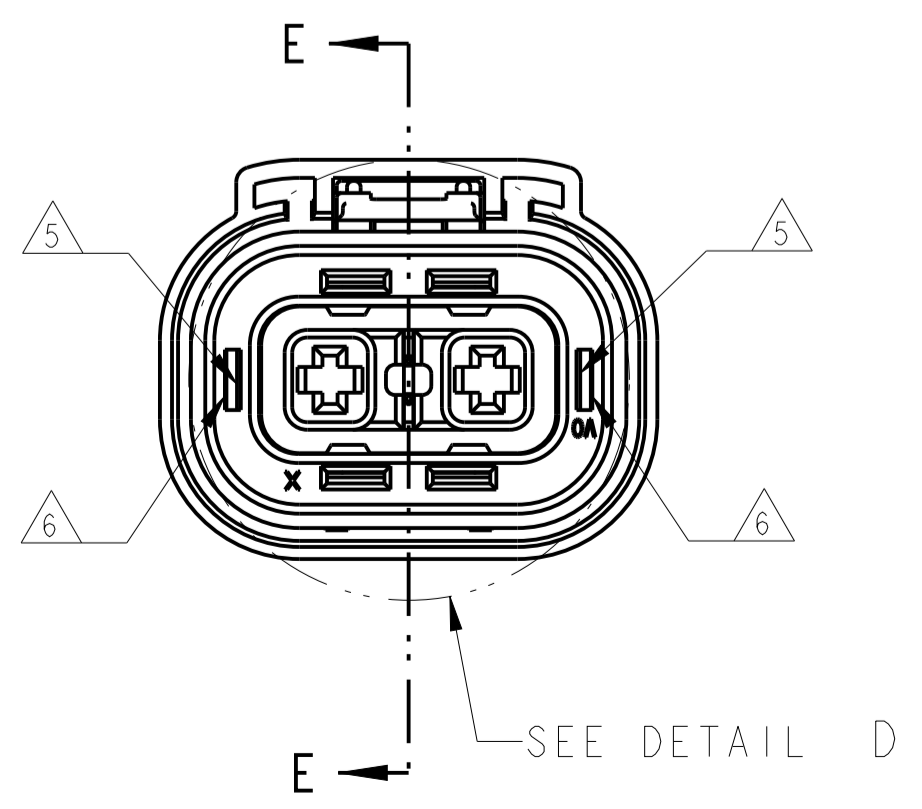
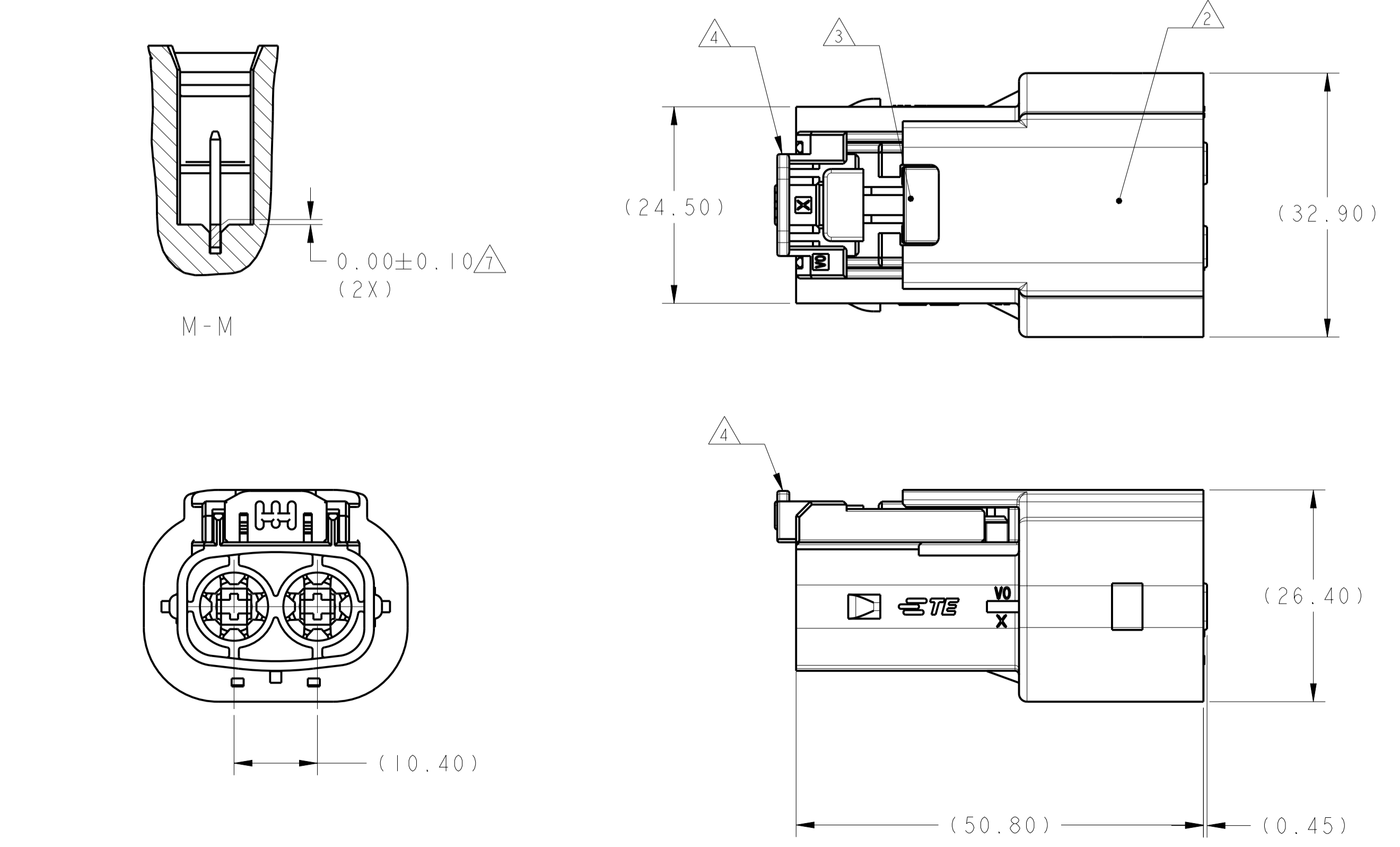


REVISIONS				
P.	LTN	DESCRIPTION	DATE	OWN APVD
B2		REVISION (ECR-19-005351)	17MAY19	R.Z E.J
B3		REVISION (ECR-19-018340)	25NOV19	R.Z E.J
B4		ADD NEW PN(ECO-20-010464)	27JUL20	C.C E.J
-	-	-	-	-



- CONNECTOR MUST BE FREE OF ANY MECHANICAL DEFECTS WHICH MAY AFFECT FIT, FORM, OR PERFORMANCE
- PART NUMBER AND ASSEMBLY DATE CODE MARKED IN THIS AREA
- FLOATING LATCH MUST BE FULLY INSTALLED AS SHOWN
- CPA, WHEN PRESENT MUST BE INSTALLED IN PRE-STAGE POSITION AS SHOWN
- INNER HOUSING SUB ASSEMBLY MUST BE FULLY LOCKED IN TWO LOCATIONS INTO OUTER HOUSING. INSPECTION PRIOR TO ASSEMBLY OF PERIPHERAL SEAL RETAINER PERMITTED
- PERIPHERAL SEAL RETAINER MUST BE FULLY LOCKED IN TWO LOCATIONS INTO OUTER HOUSING.
- MEASURE EACH STAMPING SHOULDER FLUSH CONDITION TO NEIGHBORING PLASTIC SURFACE
- SHIELDING INFORMATION AND FIRE RETARDANT CLASS FOR PLASTIC PART SEE BELOW TABLE.

P/N	SHIELDING INFO	FIRE RETARDANT CLASS OF PLASTIC MATERIAL	REFERENCE DRAWING (P/N) FOR MISSING DIMENSION
2310537-1	CuSn4 Sn PLATING OVER Ni	V0	4-2103177-1
2310537-2			4-2103177-2
2310537-4			4-2103177-4
2310537-5			4-2103177-5
2310537-6			4-2103177-6
2310537-7			4-2103177-7
2-2310537-1			CuSn4 Sn PLATING OVER Ni
2-2310537-2	4-2103177-2		
2-2310537-3	4-2103177-3		
2-2310537-4	4-2103177-4		
2-2310537-5	4-2103177-5		
2-2310537-6	4-2103177-6		
2-2310537-7	4-2103177-7		
3-2310537-4	CuSn4 Sn PLATING OVER Ni		4-2103177-4



THIS DRAWING IS A CONTROLLED DOCUMENT. OWN: R. ZHANG 14OCT2016  
 CHK: S.Y. WANG 10JUL2017  
 APVD: J. YIN 27JUL2017

TE Connectivity

NAME: PLUG ASSY HVA280-2PHI

PRODUCT SPEC: Refer to 108-2394  
 APPLICATION SPEC: Refer to 114-13259

SIZE: A1    CAGE CODE: -    DRAWING NO: C=2310537

RESTRICTED TO: B4

CUSTOMER DRAWING    SCALE: 2:1    SHEET: 1 OF 1

## X-ON Electronics

Largest Supplier of Electrical and Electronic Components

*Click to view similar products for [Headers & Wire Housings](#) category:*

*Click to view products by [TE Connectivity](#) manufacturer:*

Other Similar products are found below :

[57102-F02-18ULF](#) [58102-G61-06LF](#) [582553-1](#) [009176003701906](#) [01.001.5753.1](#) [0050291907](#) [02.125.8002.8](#) [609-3404](#) [61062-3](#)  
[CSU011177004](#) [622-0430](#) [622-3653LF](#) [63453-116](#) [636-1030](#) [636-1427](#) [636-3427](#) [636-4007](#) [641938-9](#) [65495-038](#) [65692-001LF](#) [65781-018](#)  
[65781-047](#) [65817-010LF](#) [65817-015LF](#) [66207-023LF](#) [67095-007LF](#) [67601157](#) [68631-112](#) [68645-018](#) [699319-000](#) [70.362.1628.0](#) [70-4210](#)  
[70-4226B](#) [70-4853B](#) [707-5020](#) [707-5028](#) [71.350.2428.0](#) [71961-016LF](#) [733-134](#) [733-162](#) [754199-000](#) [760-3052](#) [800-90-001-10-001000](#)  
[801-43-002-10-013000](#) [801-43-006-10-002000](#) [803-41-018-10-001000](#) [803-43-024-10-001000](#) [803-93-012-10-001000](#) [8-1437020-4](#)  
[819-22-004-30-001101](#)