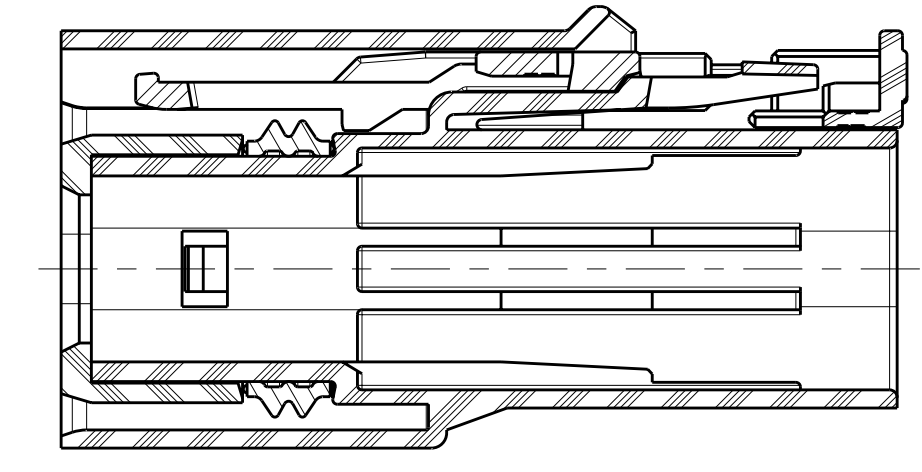
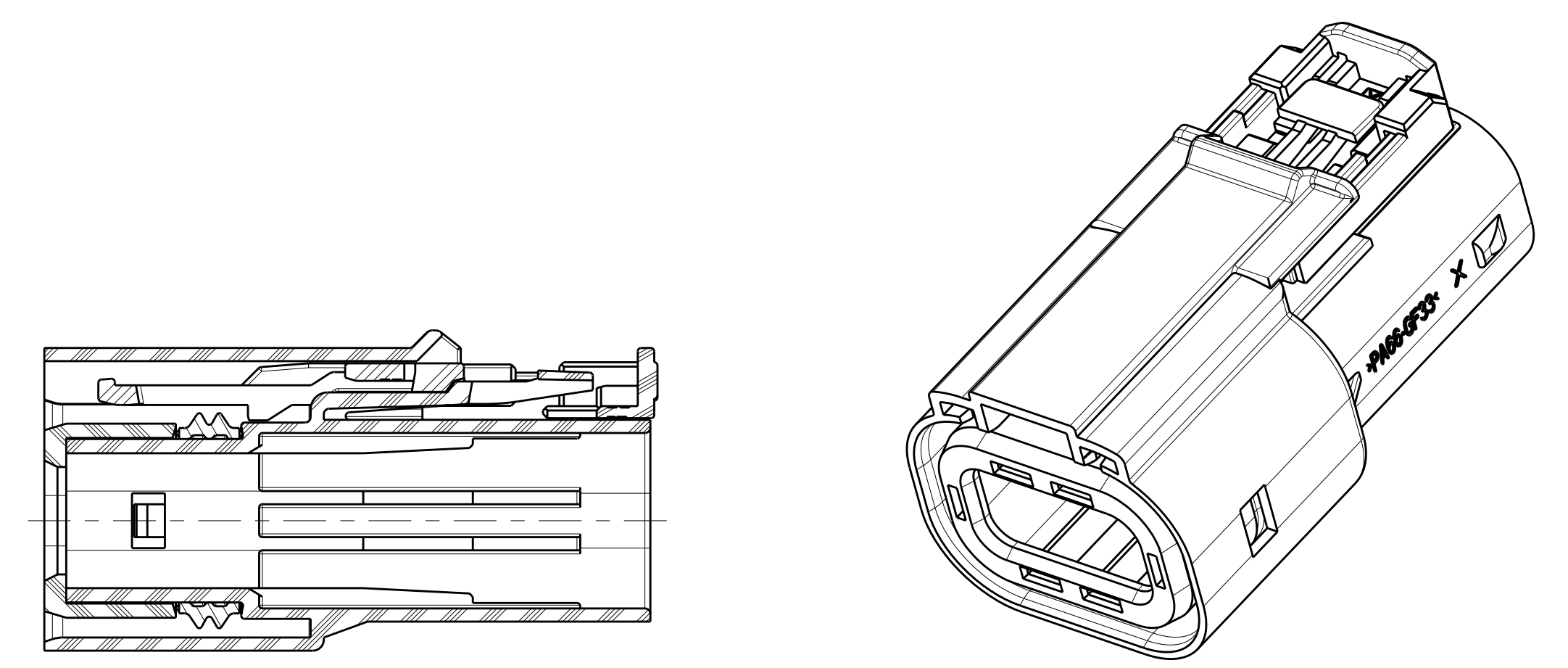
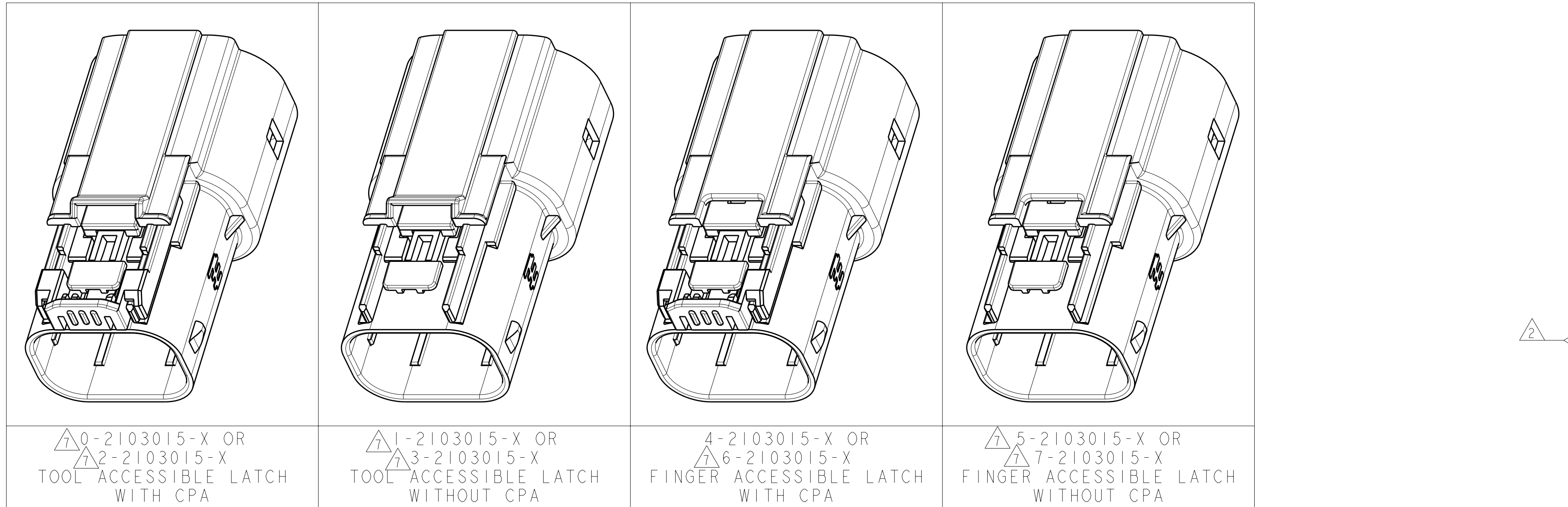
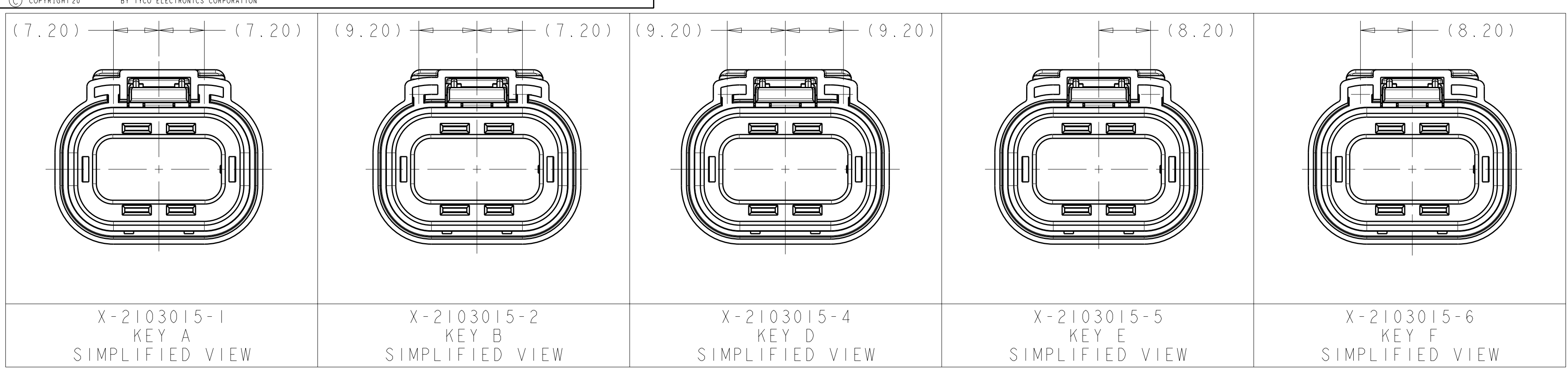
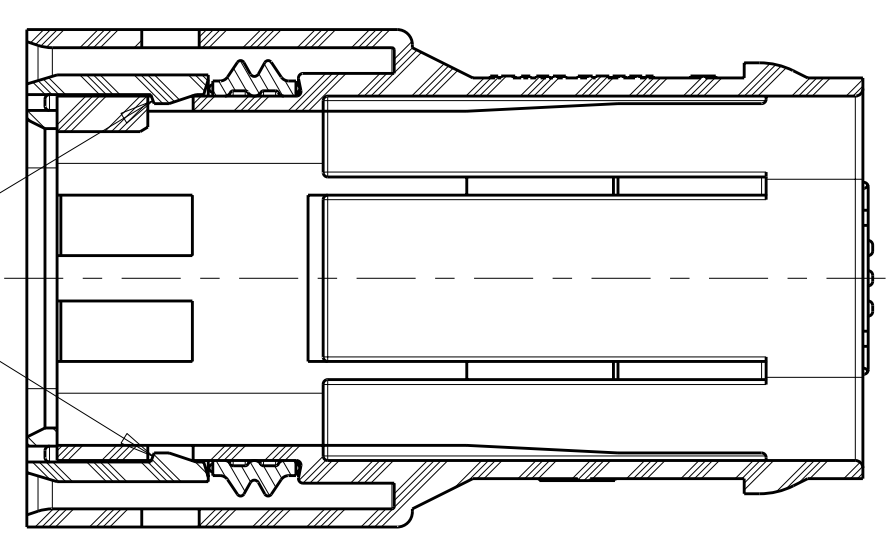


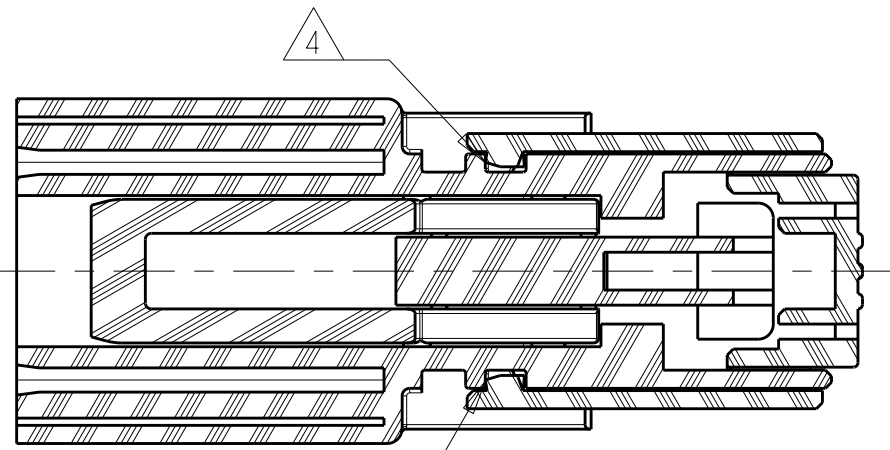
LOC	DIST	REV	DATE	DRN	APVD
HV	00	A	ECO-11-024207	02DEC2011	DR DR



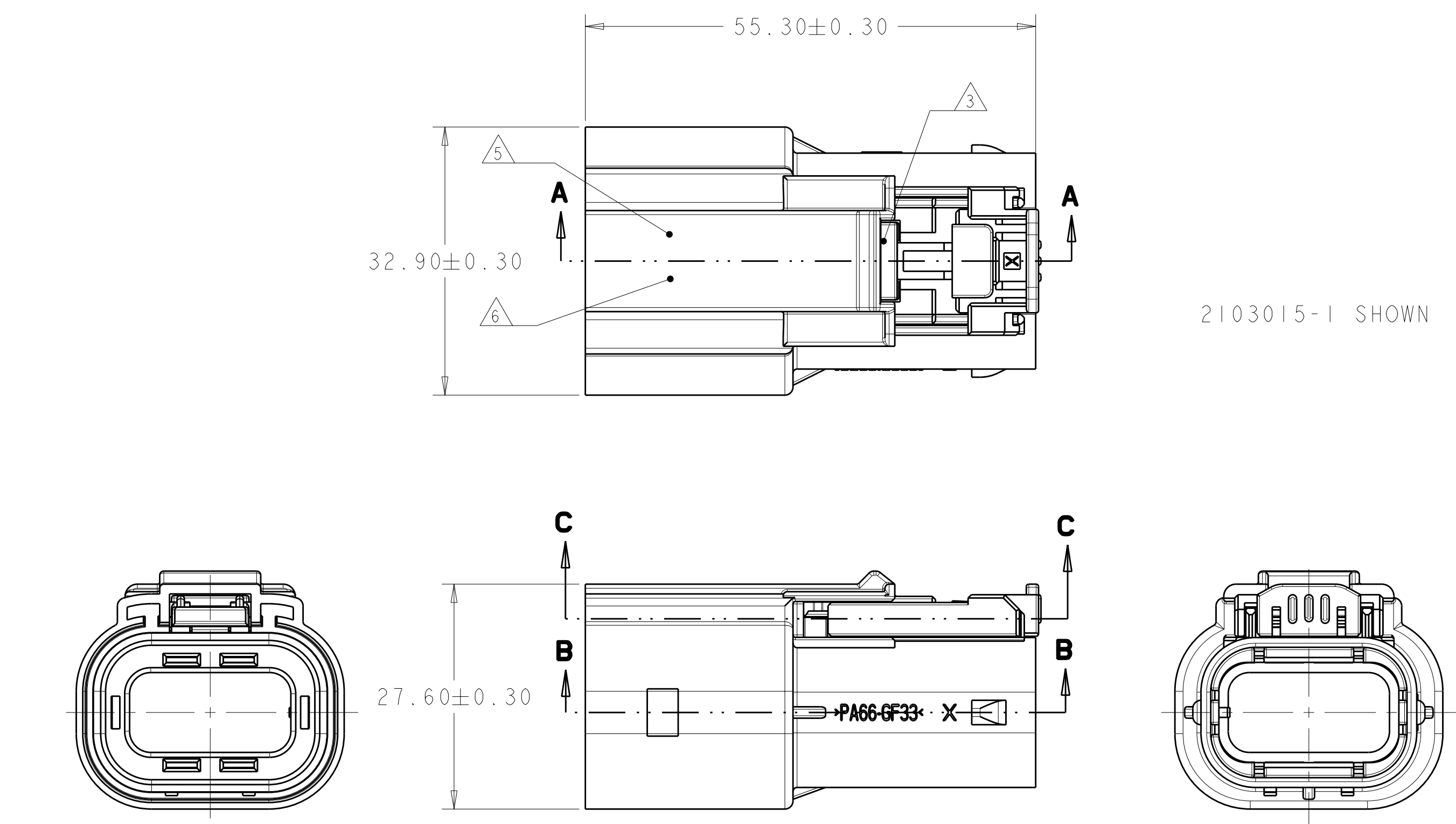
SECTION A-A



SECTION B-B



SECTION C-C



2103015-1 SHOWN

- CONNECTOR MUST BE FREE OF ANY MECHANICAL DEFECTS WHICH COULD NEGATIVELY AFFECT FIT, FUNCTION, OR PERFORMANCE
- PERIPHERAL SEAL RETAINER MUST BE FULLY LOCKED IN TWO LOCATIONS INTO OUTER HOUSING
- FLOATING LATCH MUST INSTALLED AS SHOWN
- ON APPLICABLE ASSEMBLIES CPA MUST INSTALLED IN PRE-STAGE POSITION AS SHOWN
- JULIAN DATE CODE IN THIS LOCATION AT ASSEMBLY
- TE PART NUMBER IN THIS LOCATION AT ASSEMBLY
- PRELIMINARY PART—NOT RELEASED FOR PRODUCTION

DESCRIPTION	INDEX CODE	REV	PART NO
PLUG SUB-ASSEMBLY, HVA280-2PHM, FINGER ACCESSIBLE, WITHOUT CPA, >FVMQ< SEAL	F	4	7-2103015-6
	E	4	7-2103015-5
	D	4	7-2103015-4
	B	4	7-2103015-2
	A	4	7-2103015-1
	PLUG SUB-ASSEMBLY, HVA280-2PHM, FINGER ACCESSIBLE, WITH CPA, >FVMQ< SEAL	F	4
E		4	6-2103015-5
D		4	6-2103015-4
B		4	6-2103015-2
A		4	6-2103015-1
PLUG SUB-ASSEMBLY, HVA280-2PHM, FINGER ACCESSIBLE, WITHOUT CPA, >VMQ< SEAL		F	4
	E	4	5-2103015-5
	D	4	5-2103015-4
	B	4	5-2103015-2
	A	4	5-2103015-1
	PLUG SUB-ASSEMBLY, HVA280-2PHM, FINGER ACCESSIBLE, WITH CPA, >VMQ< SEAL	F	A
E		A	4-2103015-5
D		A	4-2103015-4
B		A	4-2103015-2
A		A	4-2103015-1
PLUG SUB-ASSEMBLY, HVA280-2PHM, TOOL ACCESSIBLE, WITHOUT CPA, >FVMQ< SEAL		F	4
	E	4	3-2103015-5
	D	4	3-2103015-4
	B	4	3-2103015-2
	A	4	3-2103015-1
	PLUG SUB-ASSEMBLY, HVA280-2PHM, TOOL ACCESSIBLE, WITH CPA, >FVMQ< SEAL	F	4
E		4	2-2103015-5
D		4	2-2103015-4
B		4	2-2103015-2
A		4	2-2103015-1
PLUG SUB-ASSEMBLY, HVA280-2PHM, TOOL ACCESSIBLE, WITHOUT CPA, >VMQ< SEAL		F	4
	E	4	1-2103015-5
	D	4	1-2103015-4
	B	4	1-2103015-2
	A	4	1-2103015-1
	PLUG SUB-ASSEMBLY, HVA280-2PHM, TOOL ACCESSIBLE, WITH CPA, >VMQ< SEAL	F	4
E		4	2103015-5
D		4	2103015-4
B		4	2103015-2
A		4	2103015-1

THIS DRAWING IS A CONTROLLED DOCUMENT.		DRN	22MAR2011		TE Connectivity
DIMENSIONS:		CHK	22MAR2011		
TOLERANCES UNLESS OTHERWISE SPECIFIED:		APVD	22MAR2011		
mm		NAME	ROLEWITZ		
0 PLC ±0.2 1 PLC ±0.10 2 PLC ±0.10 3 PLC ±0.10 4 PLC ±0.10 ANGLES ±0.10 FINISH #1*		PRODUCT SPEC		PLUG SUB-ASSEMBLY, HVA280-2PHM	
MATERIAL SEE TABLE		APPLICATION SPEC		SIZE CAGE CODE DRAWING NO RESTRICTED TO	
		WEIGHT	15.7 g	A100779C-2103015	
		CUSTOMER DRAWING		SCALE 2:1 SHEET 1 OF 1 REV A	

X-ON Electronics

Largest Supplier of Electrical and Electronic Components

Click to view similar products for [Automotive Connectors](#) category:

Click to view products by [TE Connectivity](#) manufacturer:

Other Similar products are found below :

[003-018-000](#) [60993906-B](#) [72.330.1035.1](#) [F358300-B](#) [F407400](#) [776880-1](#) [827153-1](#) [8N1515-32-24P](#) [9-1326729-8](#) [925474-1](#) [928905-1](#)
[964562-4](#) [968782-1](#) [98891-1012](#) [12004475-L](#) [12041318-B](#) [12052466](#) [12015909](#) [1-21030-1](#) [12041318](#) [12047957](#) [12185550](#) [12336-12](#)
[12147304](#) [1-326211-1](#) [13681974](#) [13783086](#) [13832576](#) [13542772](#) [13675513](#) [1428188-1](#) [1437287-3](#) [1428188-2](#) [DS07-19S-5020](#) [1456983-5](#)
[1456987-7](#) [APD-7CP-H](#) [APK-SB25A10L](#) [1452931-2](#) [15336198](#) [15491972](#) [15305306](#) [15396680](#) [15425613](#) [15518544](#) [15522351](#) [1719636-1](#)
[172190-2](#) [172190-5](#) [192900-0402](#)