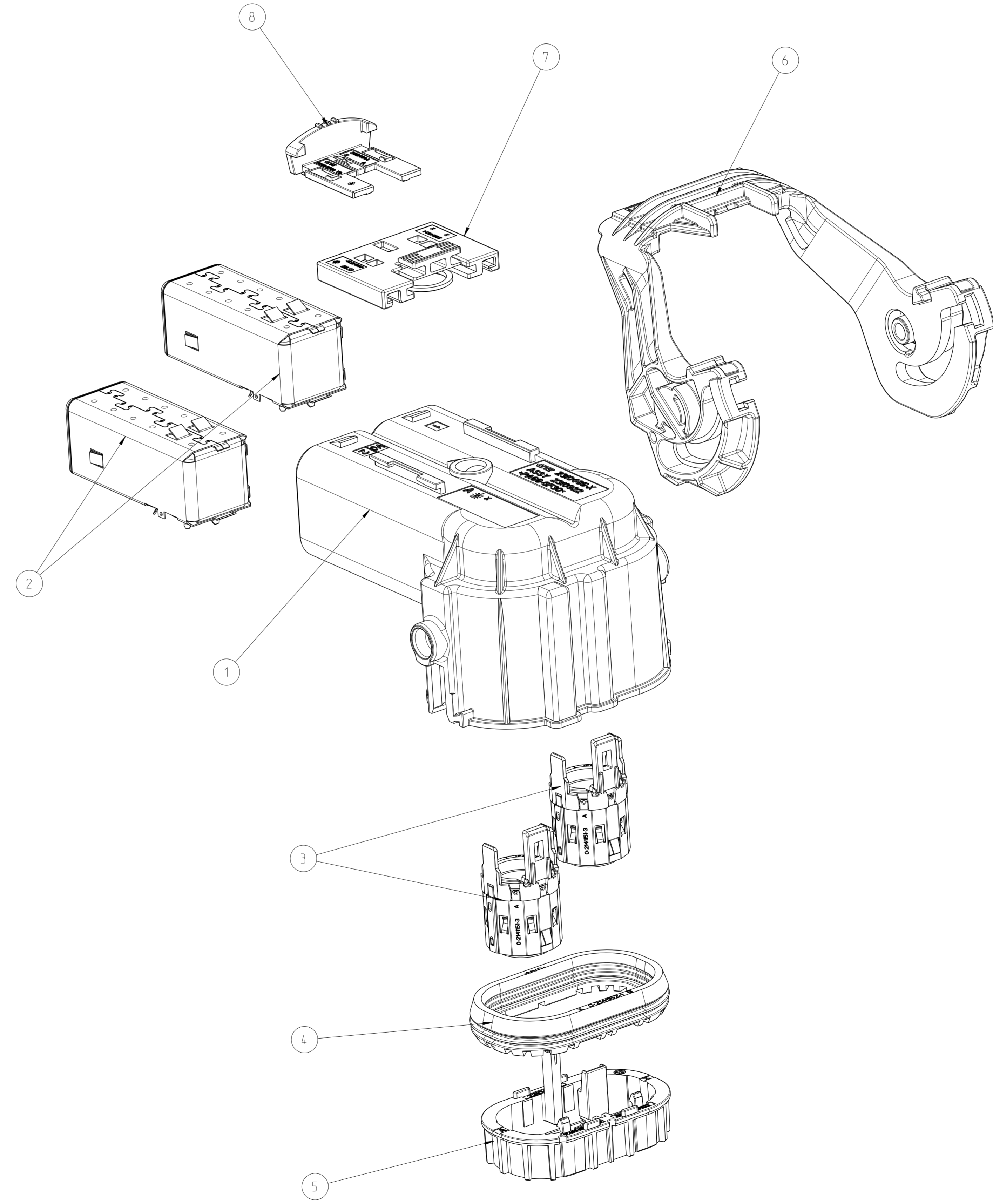
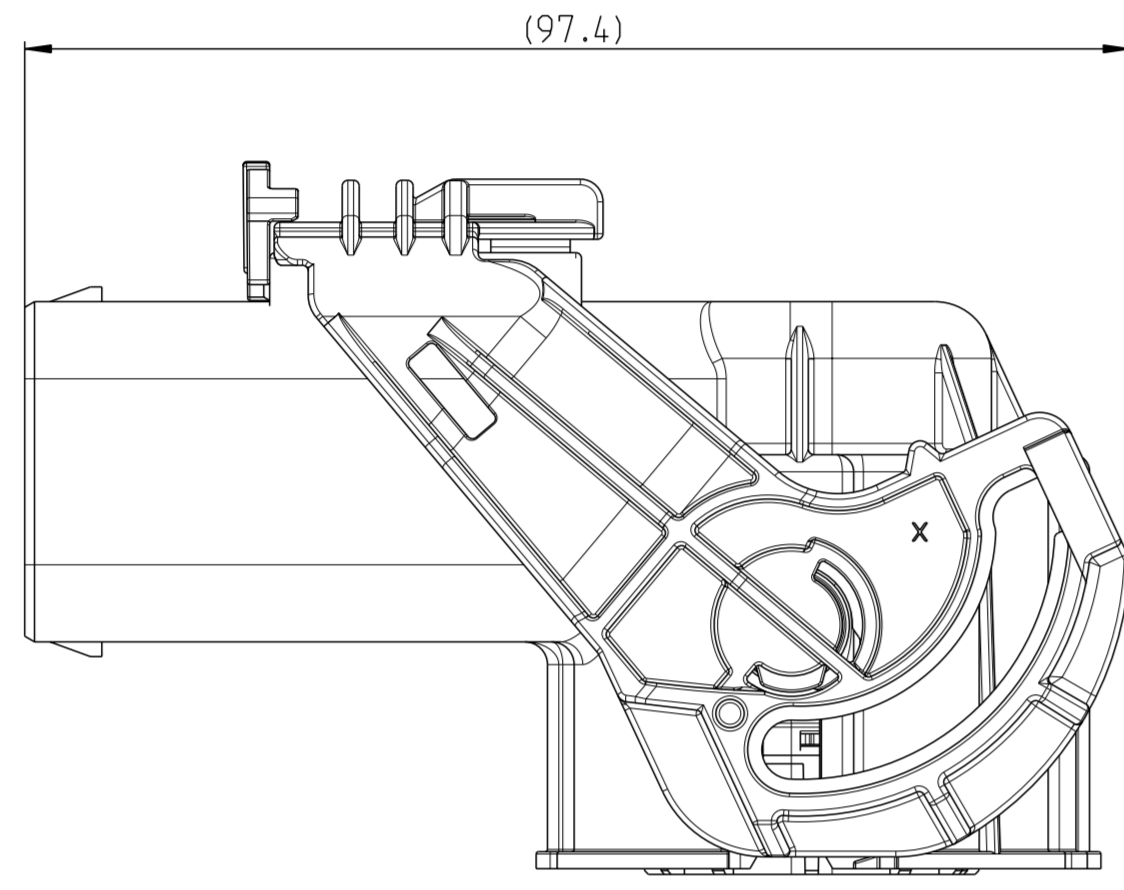


CODINGS

REVISIONS				
P	REV	DESCRIPTION	DATE	APP'D
B1	REVISED	ECO-19-000597	16 JAN 19	SX EJ
B2	REVISED	ECR-19-006021	16 APR 19	ZZ EJ
B3	REVISED	ECR-2021-01-09810-E	12 JAN 21	FS EJ
B4	ECN	22-155256	19 MAY 2022	LY EJ



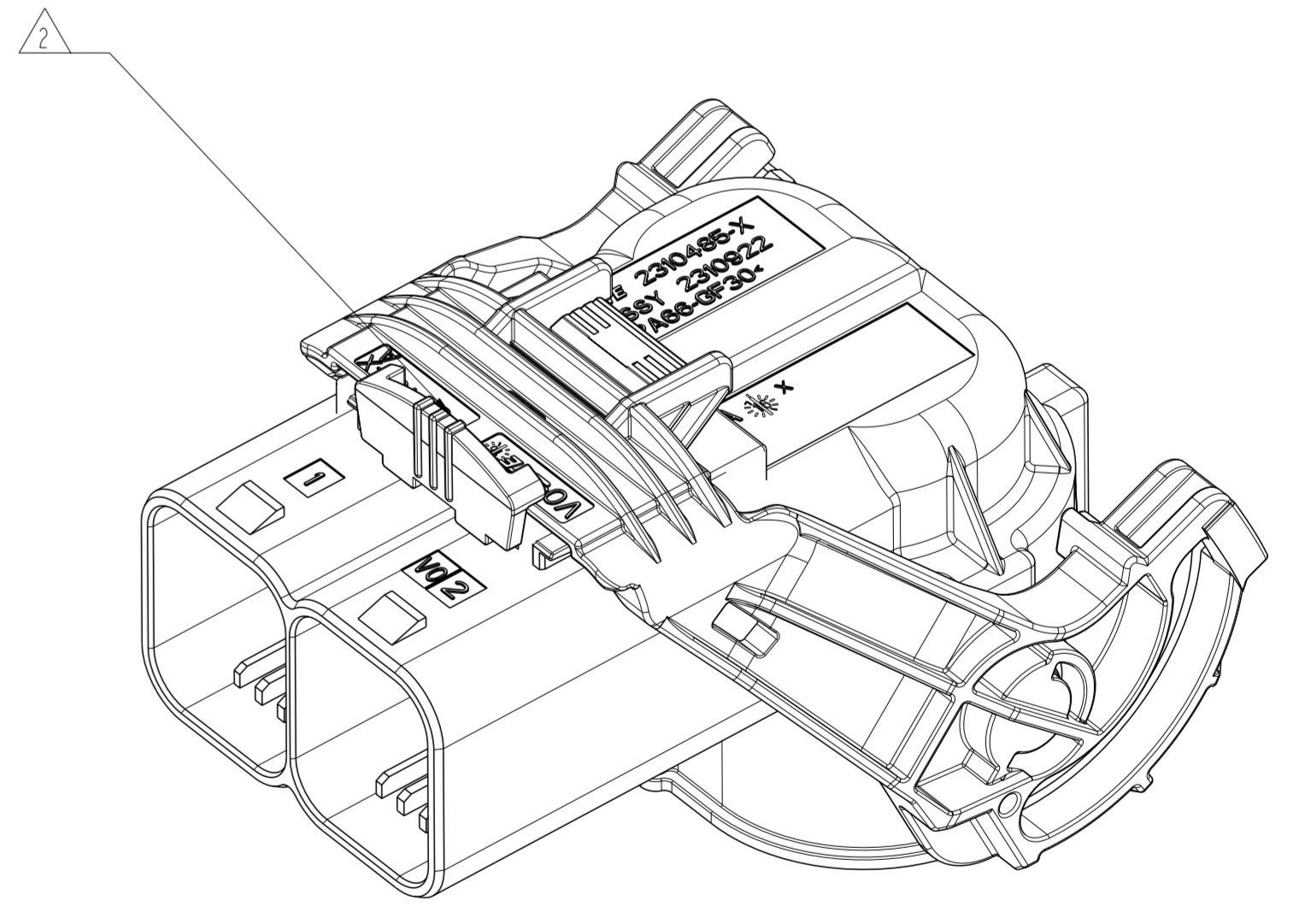
NOTES

SHIELDING INFORMATION AND FIRE RETARTANT CLASS FOR PLASTIC PART SEE TABLE BELOW

P/N	SHIELDING INFORMATION	FIRE RETARTANT CLASS OF PLASTIC MATERIAL	REFERENCE DRAWING(P/N) FOR MISSING DIMENSION
2310922-1	COPPER ALLOY 40 PLATING (Tmax 140°C)	V0	214.1154(1)-214.1154-1)
2310922-2			214.1154(1)-214.1154-2)
2310922-3			214.1154(1)-214.1154-3)
2310922-4			214.1154(1)-214.1154-4)
1/3-2310922-1	COPPER ALLOY PRE-TIN PLATING (Tmax 125°C)	HB	214.1154(1)-214.1154-1)
1/3-2310922-2			214.1154(1)-214.1154-2)
1/3-2310922-3			214.1154(1)-214.1154-3)
1/3-2310922-4			214.1154(1)-214.1154-4)
2-2310922-1			214.1154(1)-214.1154-1)
2-2310922-2			214.1154(1)-214.1154-2)
2-2310922-3			214.1154(1)-214.1154-3)
2-2310922-4			214.1154(1)-214.1154-4)

DELIVERY CONDITION: LEVER IN END-LOCKING POSITION, CPA CLOSED

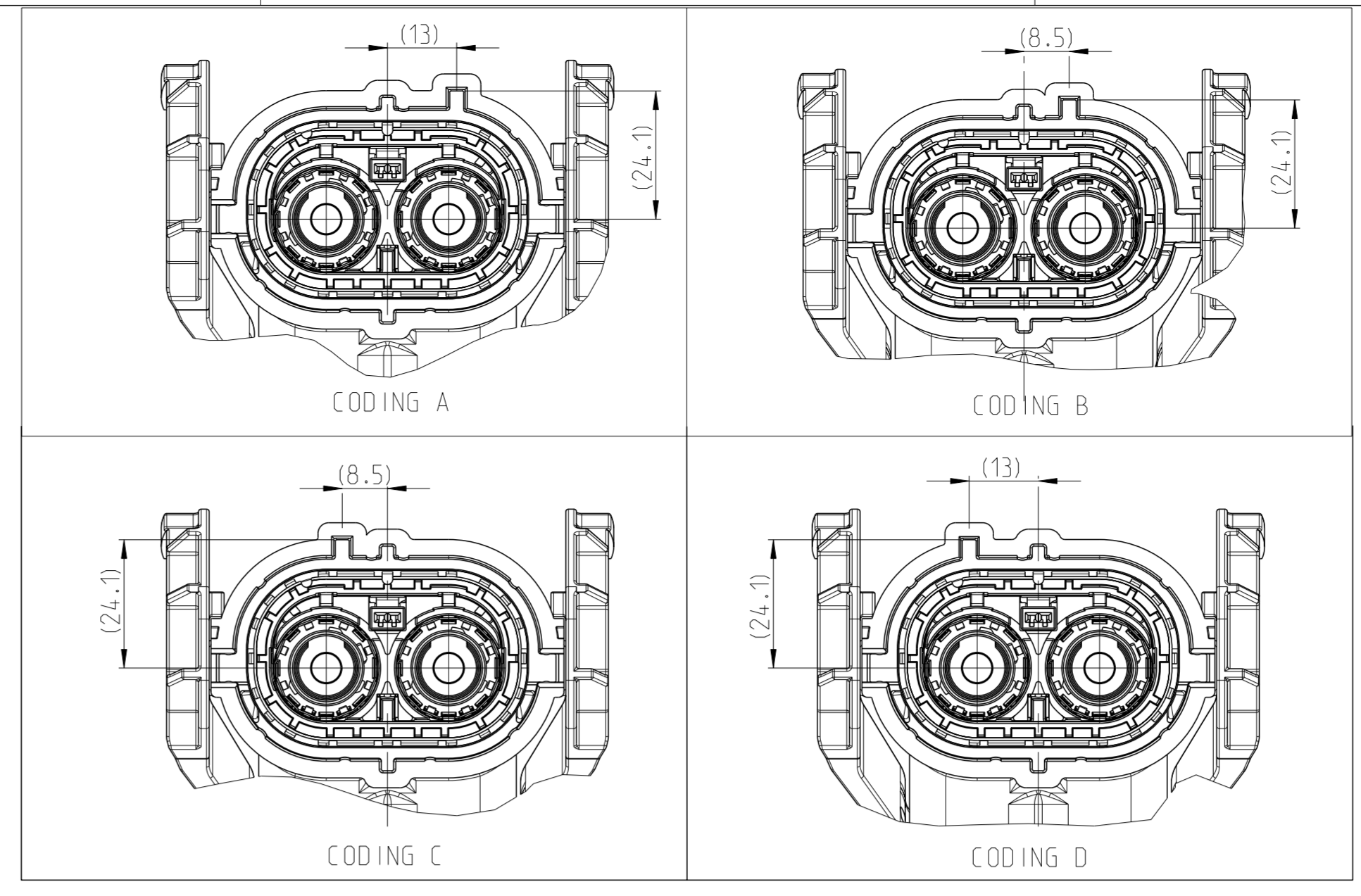
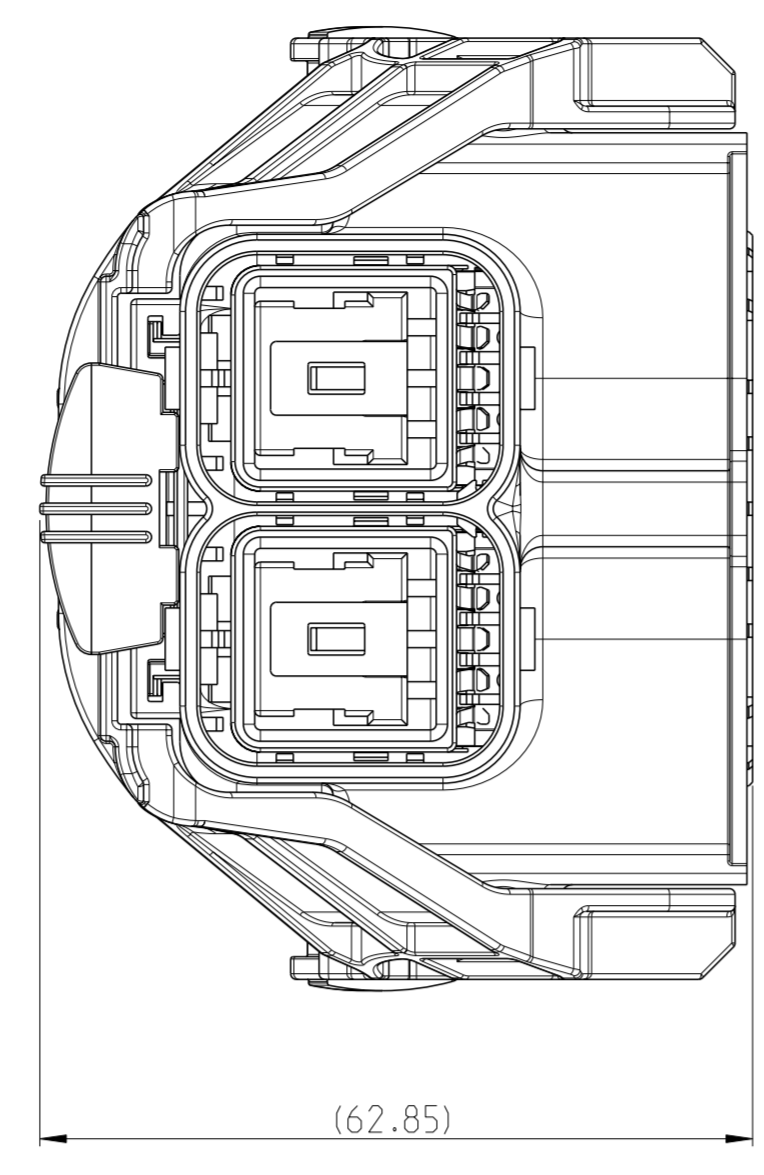
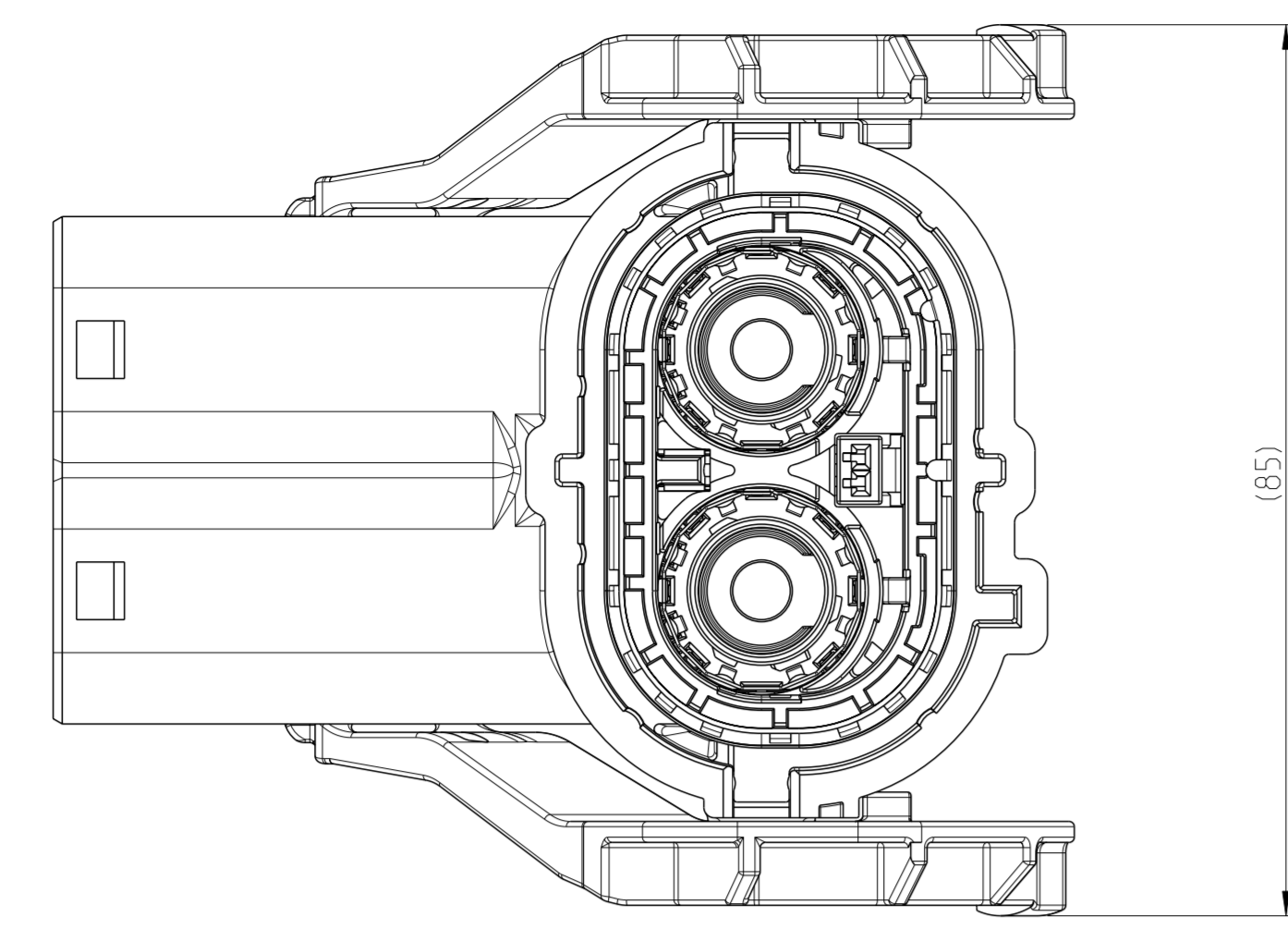
PACKAGED IN CORRUGATED SHIPPING BOX



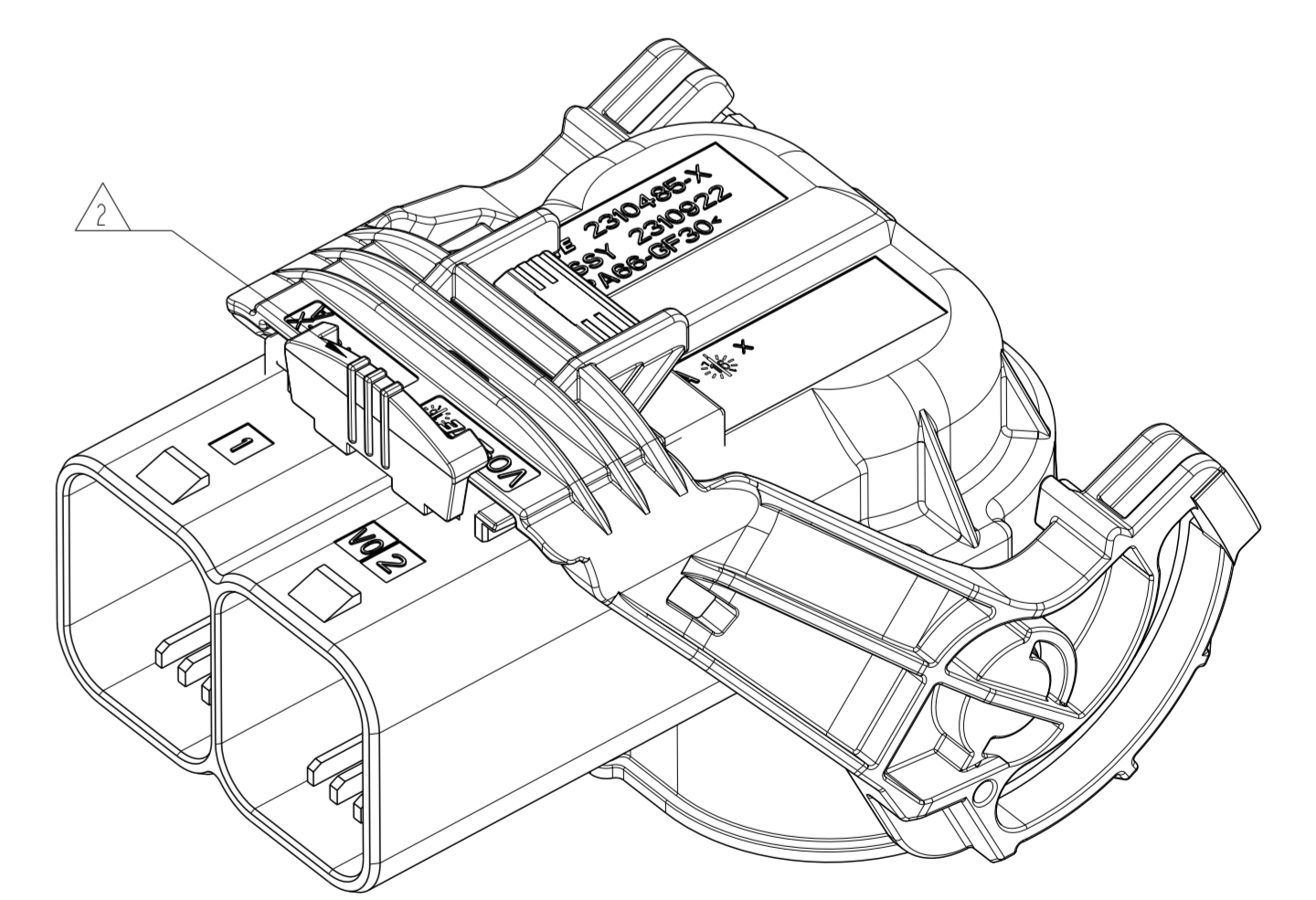
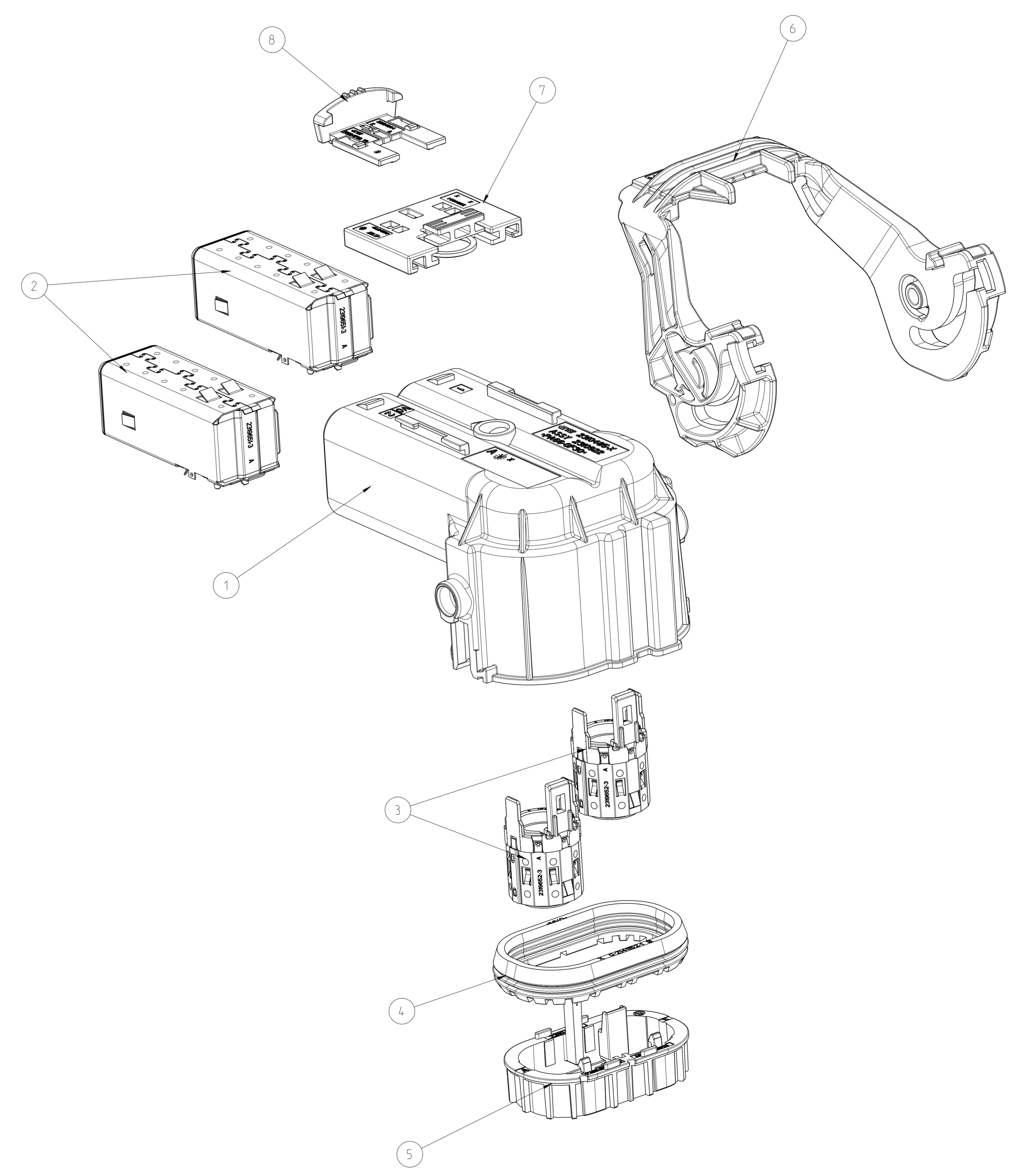
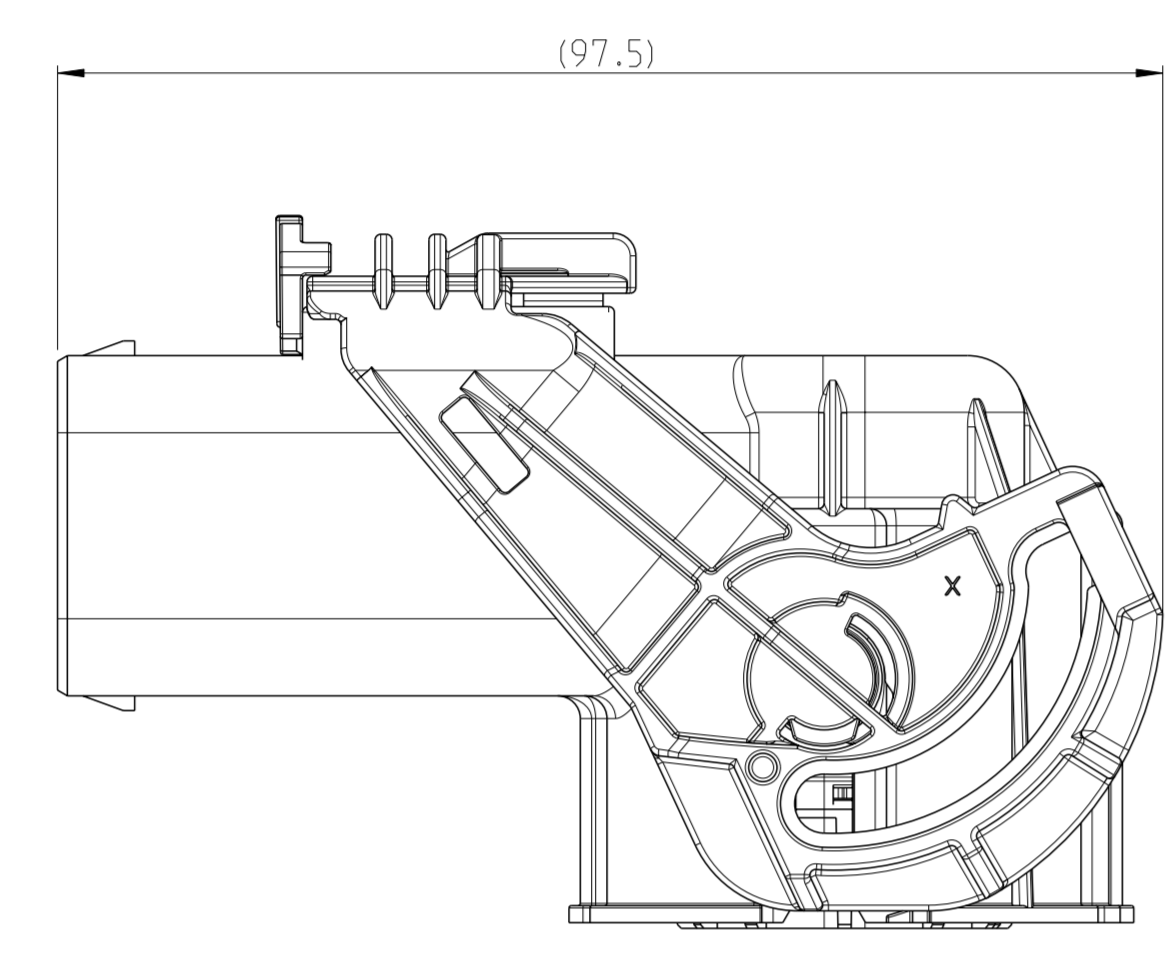
CD	TE ASSY-NO.	ASSY-REV	QTY	DESCRIPTION	MATERIAL	WEIGHT (g)	SURFACE COLOUR	TEM			
D	2310922-4	A	1	CPA	PA66-GF V0	(14.1.6)	RED SIM RAL 3000	8			
			1	ADAPTER	PA66-GF V0		DUSTY GRAY SIM RAL 7037	7			
			1	LEVER, 2POS, 90 DEG	PA66-GF V0		WHITE SIM RAL 9010 (9001)	6			
			1	2POS, MCON-1.2, REC HSG, 90 DEG, Assy	-		-	5			
			1	RADIAL SEAL	SILICONE RUBBER		WHITE SIM RAL 9010	4			
			2	ASSY: ISULATION INSERT - SHIELDING	△		-	3			
			2	ASSY: ISULATION INSERT - SHIELDING	△		-	2			
			1	2POS, 8MM HV, REC HSG, 90 DEG, SEALED	PA66-GF V0		ORANGE SIM RAL 2003	1			
			C	2310922-3	A	1	CPA	PA66-GF V0	(14.1.6)	RED SIM RAL 3000	8
						1	ADAPTER	PA66-GF V0		DUSTY GRAY SIM RAL 7037	7
1	LEVER, 2POS, 90 DEG	PA66-GF V0					BLACK SIM RAL 9005 (9011)	6			
1	2POS, MCON-1.2, REC HSG, 90 DEG, Assy	-					-	5			
1	RADIAL SEAL	SILICONE RUBBER					WHITE SIM RAL 9010	4			
2	ASSY: ISULATION INSERT - SHIELDING	△					-	3			
2	ASSY: ISULATION INSERT - SHIELDING	△					-	2			
1	2POS, 8MM HV, REC HSG, 90 DEG, SEALED	PA66-GF V0					ORANGE SIM RAL 2003	1			
B	2310922-2	A				1	CPA	PA66-GF V0	(14.1.6)	RED SIM RAL 3000	8
						1	ADAPTER	PA66-GF V0		DUSTY GRAY SIM RAL 7037	7
			1	LEVER, 2POS, 90 DEG	PA66-GF V0		WHITE SIM RAL 9010 (9001)	6			
			1	2POS, MCON-1.2, REC HSG, 90 DEG, Assy	-		-	5			
			1	RADIAL SEAL	SILICONE RUBBER		WHITE SIM RAL 9010	4			
			2	ASSY: ISULATION INSERT - SHIELDING	△		-	3			
			2	ASSY: ISULATION INSERT - SHIELDING	△		-	2			
			1	2POS, 8MM HV, REC HSG, 90 DEG, SEALED	PA66-GF V0		ORANGE SIM RAL 2003	1			
			A	2310922-1	A	1	CPA	PA66-GF V0	(14.1.6)	RED SIM RAL 3000	8
						1	ADAPTER	PA66-GF V0		DUSTY GRAY SIM RAL 7037	7
1	LEVER, 2POS, 90 DEG	PA66-GF V0					BLACK SIM RAL 9005 (9011)	6			
1	2POS, MCON-1.2, REC HSG, 90 DEG, Assy	-					-	5			
1	RADIAL SEAL	SILICONE RUBBER					WHITE SIM RAL 9010	4			
2	ASSY: ISULATION INSERT - SHIELDING	△					-	3			
2	ASSY: ISULATION INSERT - SHIELDING	△					-	2			
1	2POS, 8MM HV, REC HSG, 90 DEG, SEALED	PA66-GF V0					ORANGE SIM RAL 2003	1			

-1 AS SHOWN

THIS DRAWING IS A CONTROLLED DOCUMENT.		DATE: 12 JUL 2017	BY: J.L.L.
DIMENSIONS: (mm)		DATE: 24 JUL 2017	BY: S.Y.WANG
TOLERANCES UNLESS OTHERWISE SPECIFIED:		DATE: 02 AUG 2017	BY: M.Y.LIN
Ø: ±0.5	FINISH: SPEC 2	DATE: 108-32233	BY: REFER TO 108-32233
PL: ±0.1	ANGLE: 0.1	DATE: 114-32213	BY: REFER TO 114-32213
PC: ±0.025	ANGLE: 0.1	DATE: 00779	BY: 2310922
PC: ±0.025	ANGLE: 0.1	DATE: 00779	BY: 2310922



CODINGS



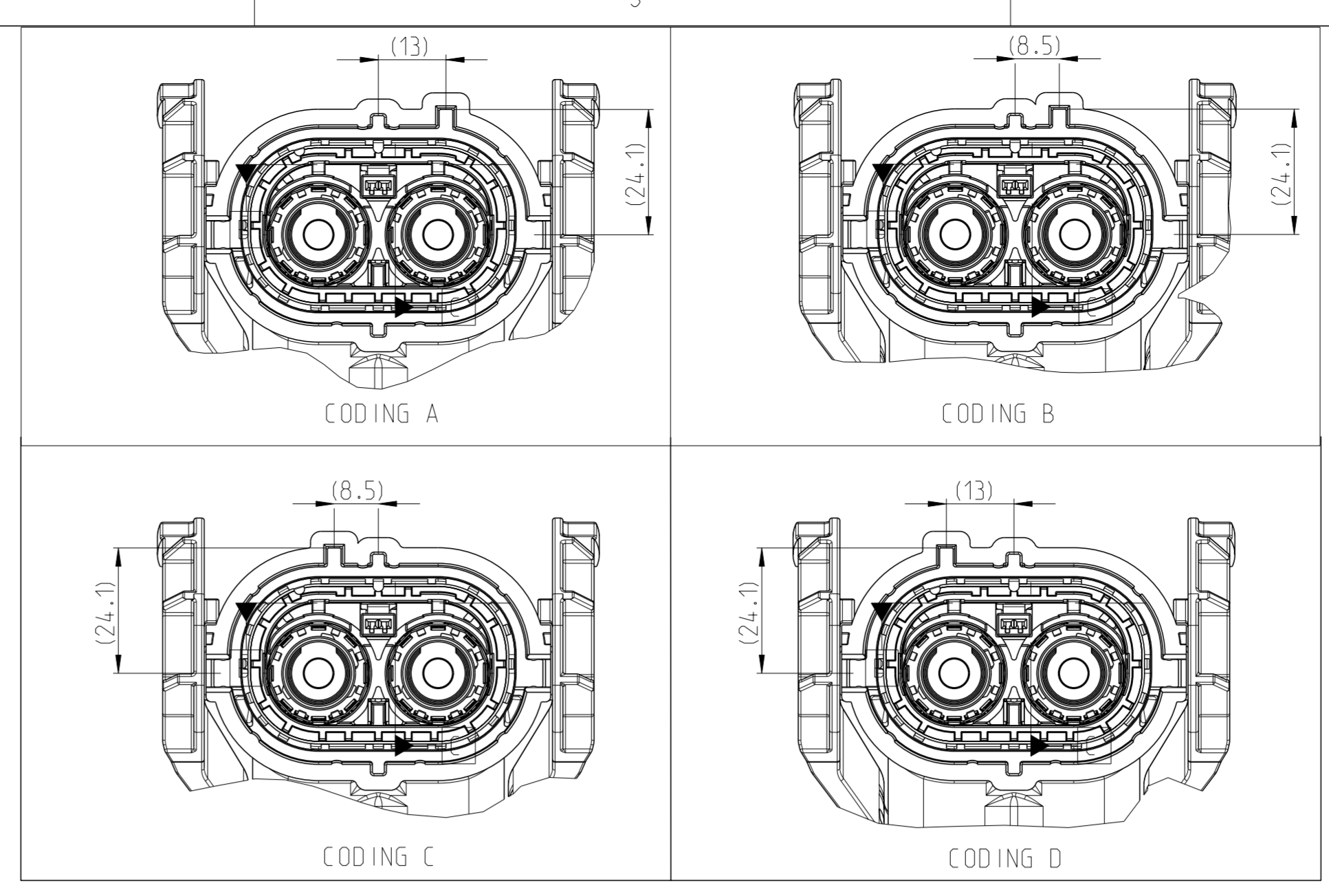
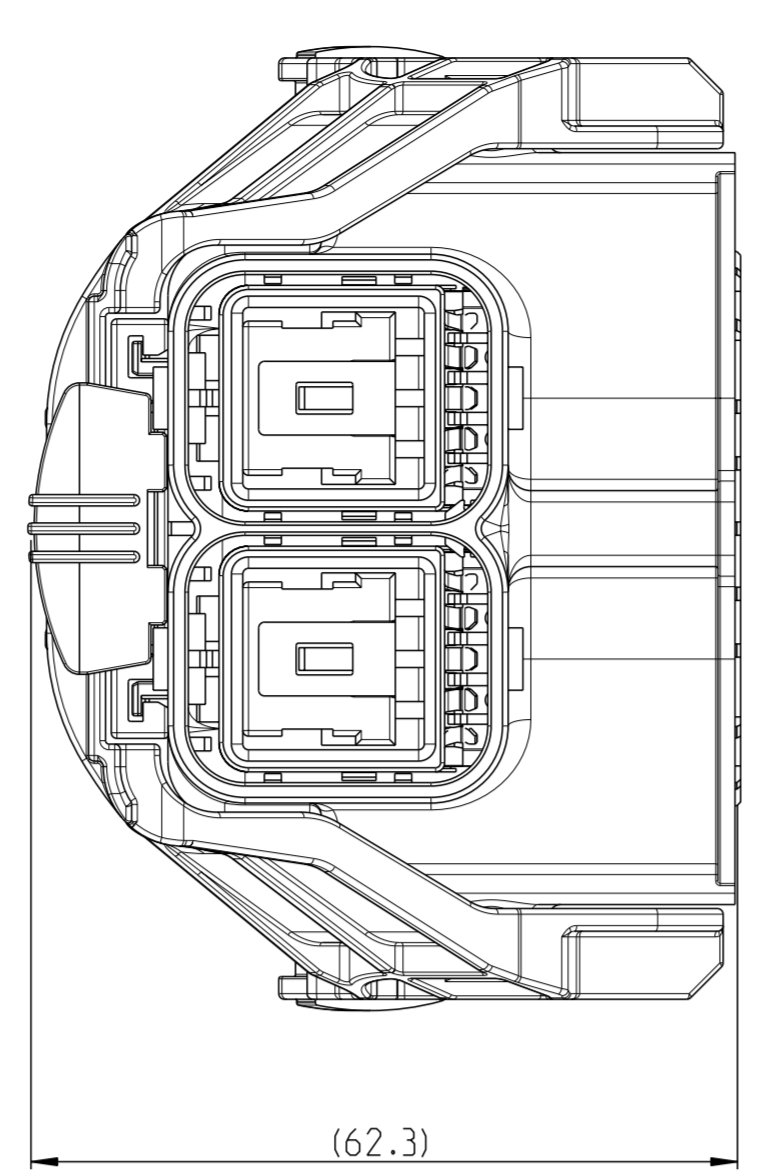
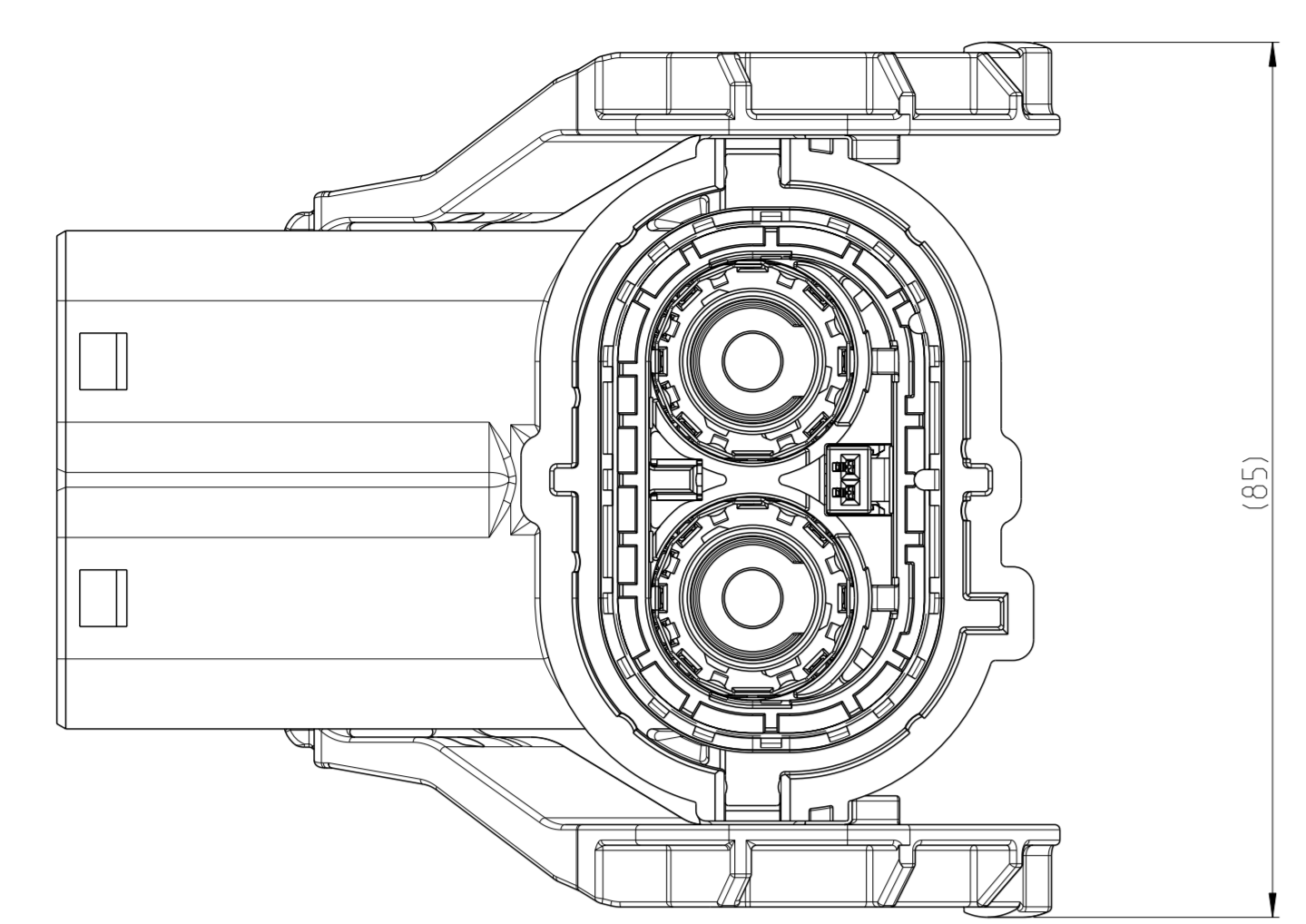
COD.	TE	ASSY-NO.	ASSY-REV	QTY	DESCRIPTION	MATERIAL	WEIGHT (g)	SURFACE COLOUR	ITEM
D	1-2310922-4	A	1	CPA	PA66-GF V0	(141.6)	RED SIM RAL 3000	8	8
			1	ADAPTER	PA66-GF V0		DUSTY GRAY SIM RAL 7037	7	
			1	LEVER, 2POS, 90 DEG	PA66-GF V0		WHITE SIM RAL 9010 (9001)	6	
			1	2POS. MCON-1.2, REC HSG, 90 DEG, Assy	-		-	5	
			1	RADIAL SEAL	SILICONE RUBBER		WHITE SIM RAL 9010	4	
			2	ASSY. ISULATION INSERT - SHIELDING	△		-	3	
			2	ASSY. ISULATION INSERT - SHIELDING	△		-	2	
C	1-2310922-3	A	1	CPA	PA66-GF V0	(141.6)	RED SIM RAL 3000	8	8
			1	ADAPTER	PA66-GF V0		DUSTY GRAY SIM RAL 7037	7	
			1	LEVER, 2POS, 90 DEG	PA66-GF V0		BLACK SIM RAL 9005 (9011)	6	
			1	2POS. MCON-1.2, REC HSG, 90 DEG, Assy	-		-	5	
			1	RADIAL SEAL	SILICONE RUBBER		WHITE SIM RAL 9010	4	
			2	ASSY. ISULATION INSERT - SHIELDING	△		-	3	
			2	ASSY. ISULATION INSERT - SHIELDING	△		-	2	
B	1-2310922-2	B	1	CPA	PA66-GF V0	(141.6)	RED SIM RAL 3000	8	8
			1	ADAPTER	PA66-GF V0		DUSTY GRAY SIM RAL 7037	7	
			1	LEVER, 2POS, 90 DEG	PA66-GF V0		WHITE SIM RAL 9010 (9001)	6	
			1	2POS. MCON-1.2, REC HSG, 90 DEG, Assy	-		-	5	
			1	RADIAL SEAL	SILICONE RUBBER		WHITE SIM RAL 9010	4	
			2	ASSY. ISULATION INSERT - SHIELDING	△		-	3	
			2	ASSY. ISULATION INSERT - SHIELDING	△		-	2	
A	1-2310922-1	B	1	CPA	PA66-GF V0	(141.6)	RED SIM RAL 3000	8	8
			1	ADAPTER	PA66-GF V0		DUSTY GRAY SIM RAL 7037	7	
			1	LEVER, 2POS, 90 DEG	PA66-GF V0		BLACK SIM RAL 9005 (9011)	6	
			1	2POS. MCON-1.2, REC HSG, 90 DEG, Assy	-		-	5	
			1	RADIAL SEAL	SILICONE RUBBER		WHITE SIM RAL 9010	4	
			2	ASSY. ISULATION INSERT - SHIELDING	△		-	3	
			2	ASSY. ISULATION INSERT - SHIELDING	△		-	2	
1	2POS. 8MM HV, REC HSG, 90 DEG, SEALED	PA66-GF V0	ORANGE SIM RAL 2003	1					

REVISIONS			
REV	DATE	BY	APPD
1			

1--1 AS SHOWN

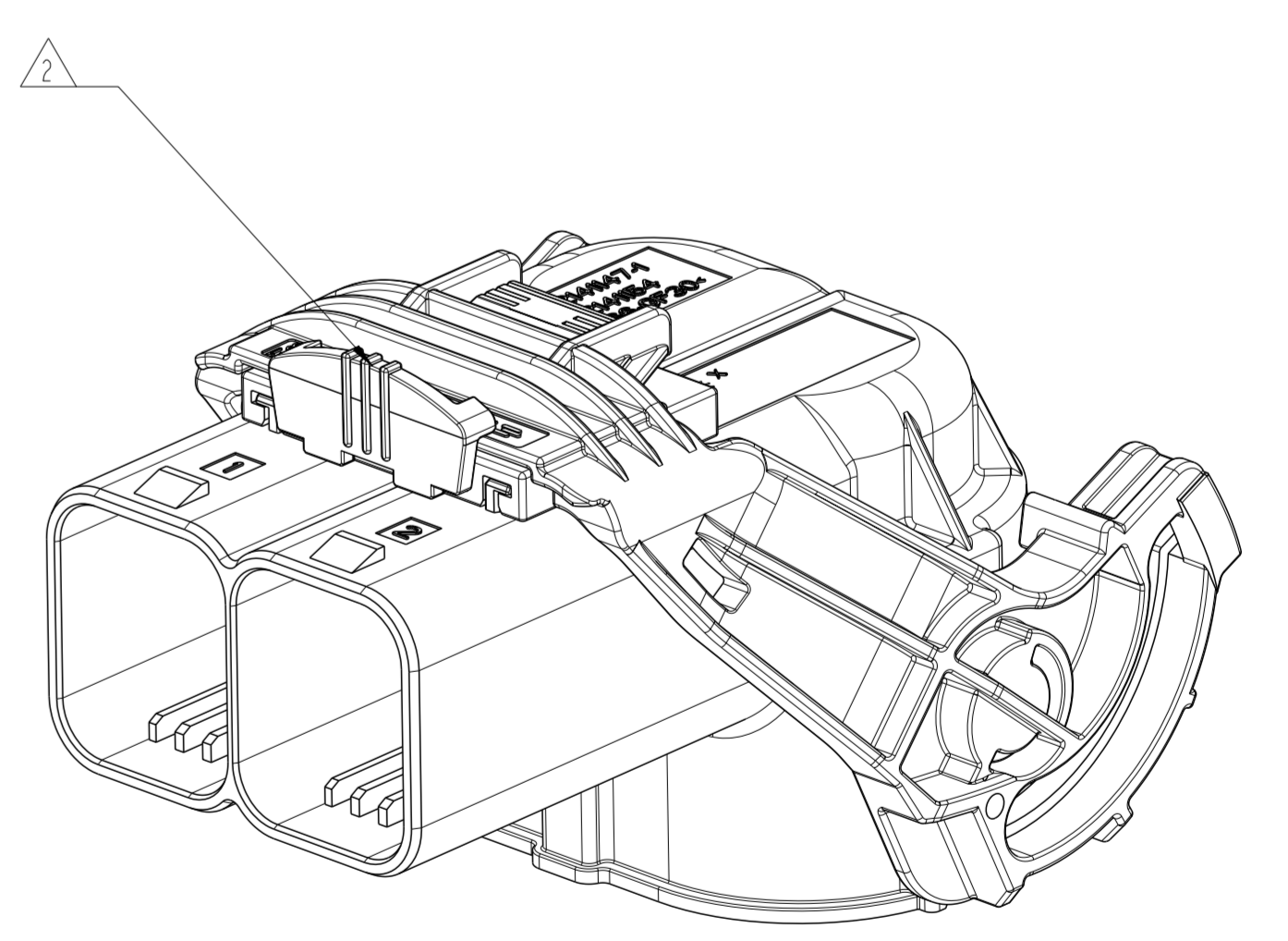
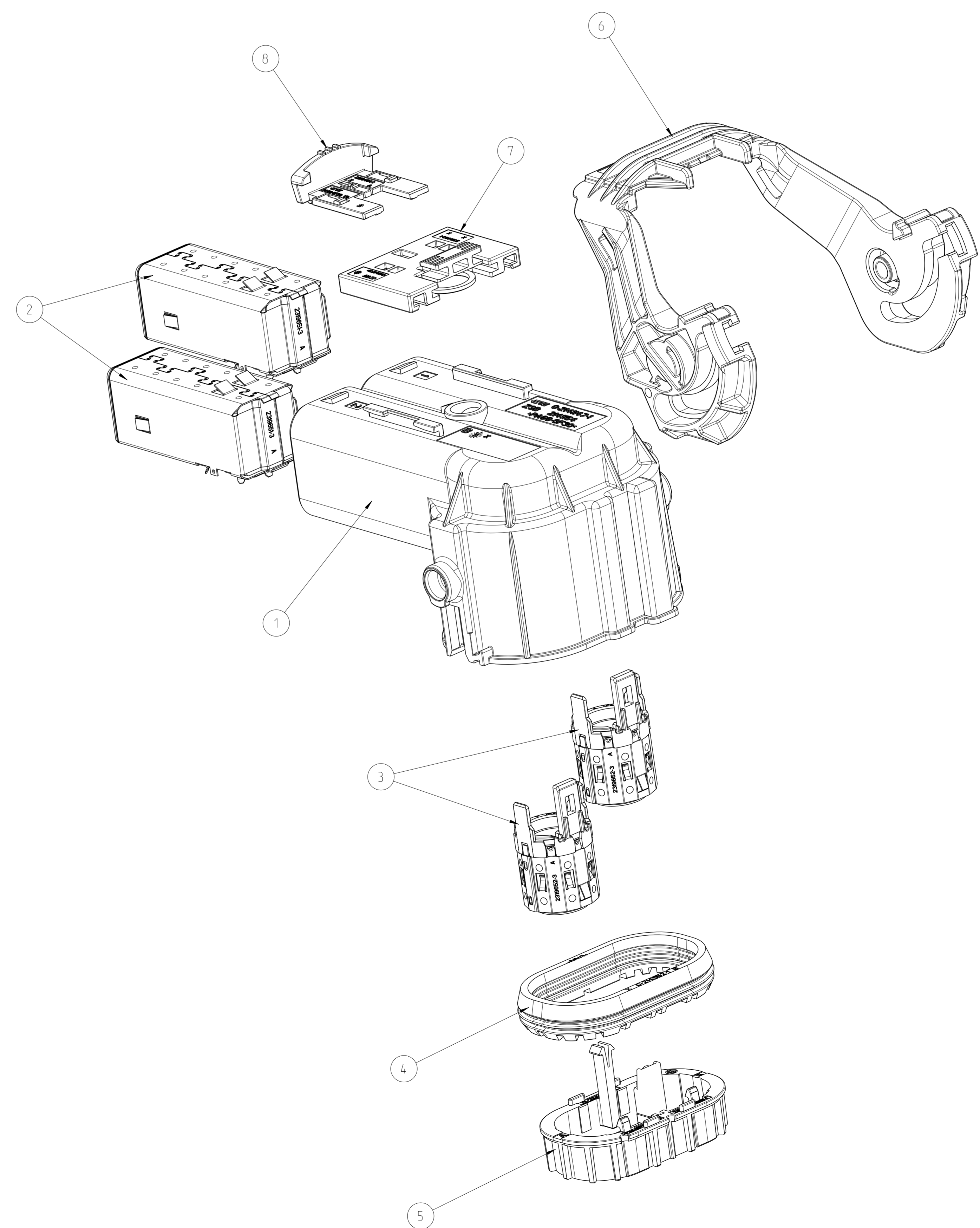
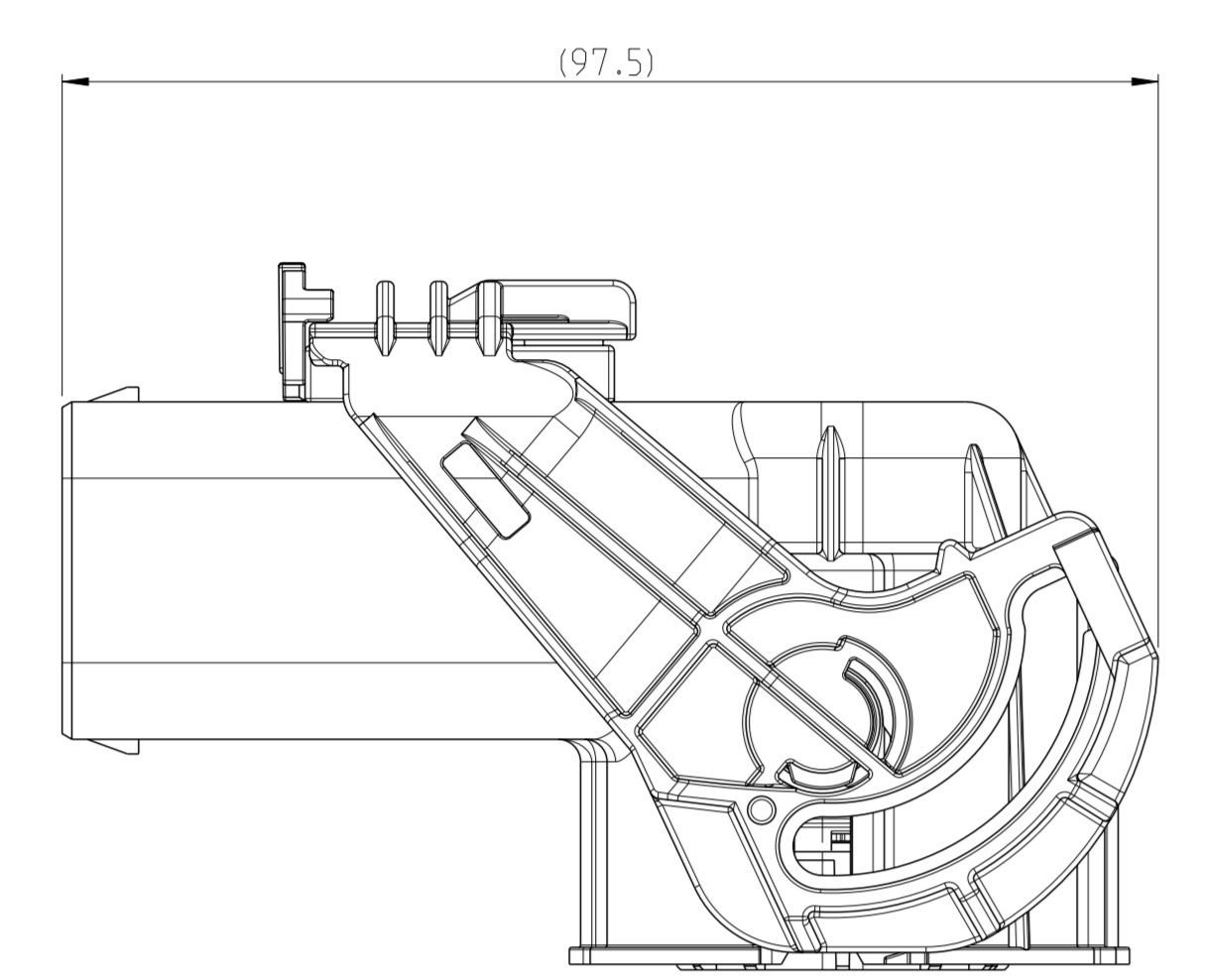
THIS DRAWING IS A CONTROLLED DOCUMENT. DATE: 12 JUL 2017. DRAWN BY: J.L.L. CHECKED BY: S.Y. WANG. APPROVED BY: J. WANG. DATE: 24 JUL 2017. DATE: 02 AUG 2017. NAME: 2POS, 8mm HV, REC HSG, 90 DEG, ASSY SEALED. REFERENCE: REFER TO 100-32233. REFER TO 114-32213. SIZE: A0. CASE CODE: 00779. DRAWING NO: 2310922. SCALE: 1:1. SHEET: 2 OF 4. RESTRICTED TO: CUSTOMER DRAWING.





CODINGS

REVISIONS			
REV	DATE	DESCRIPTION	BY
1		SEE SHEET 1	

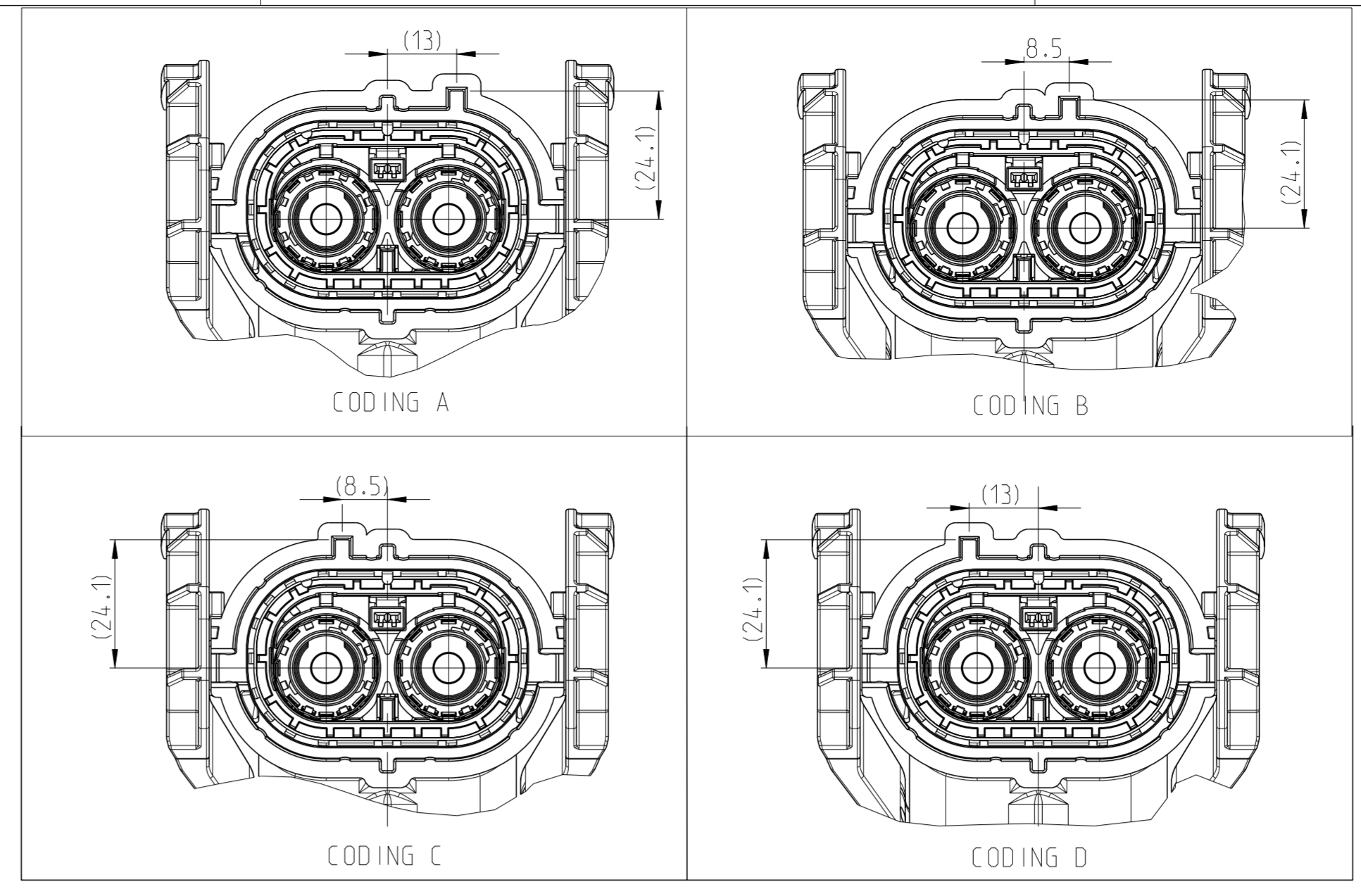
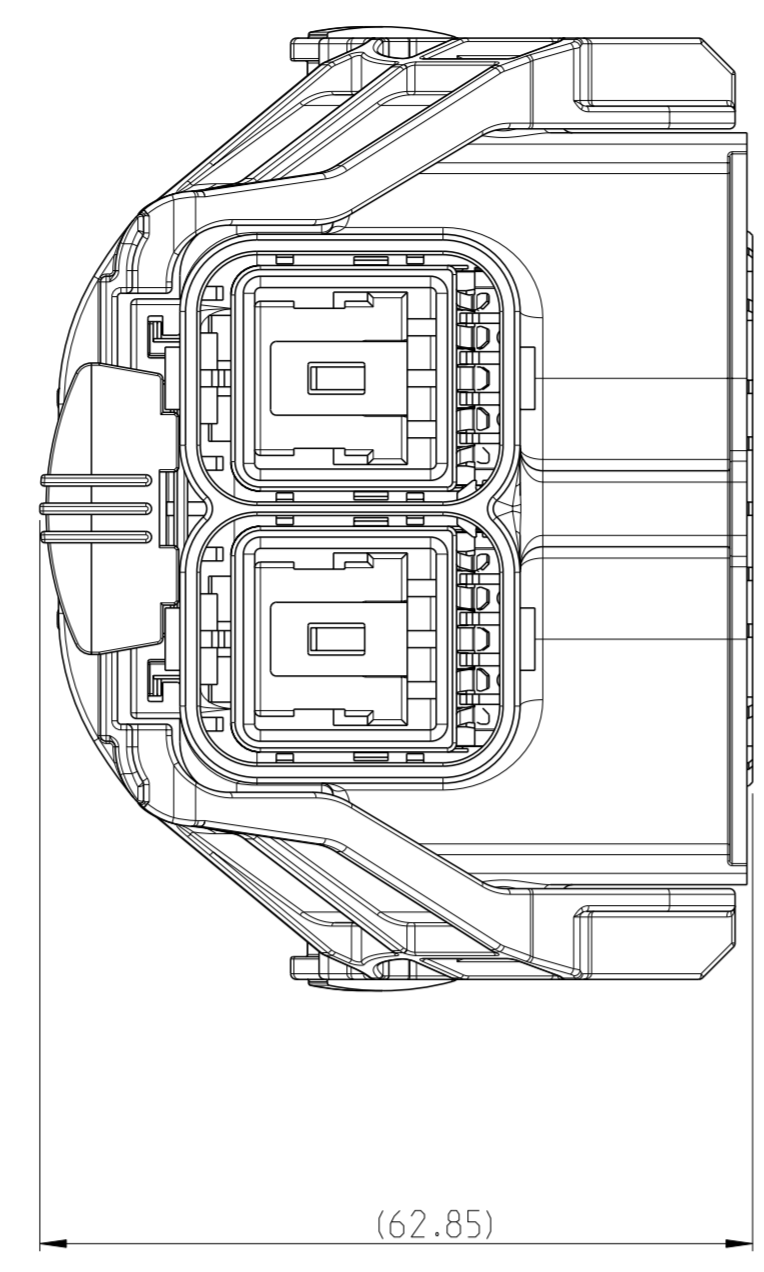
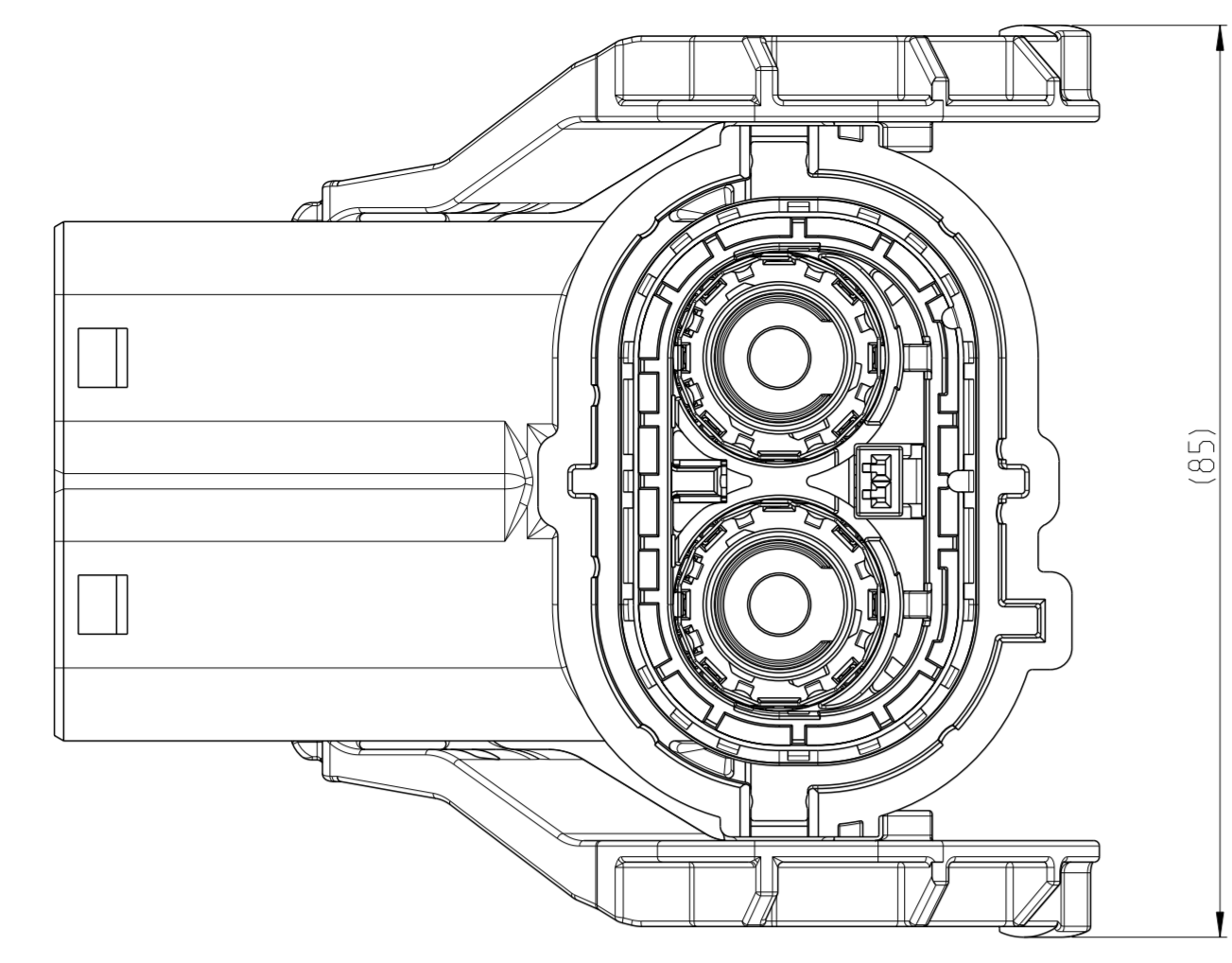


COD.	TE ASSY-NO.	ASSY-REV	QTY	DESCRIPTION	MATERIAL	WEIGHT (g)	SURFACE COLOUR	ITEM
D	2-2310922-4	A	1	CPA	PA66-GF V0	141.6	RED SIM RAL 3000	8
			1	ADAPTER	PA66-GF V0	-	DUSTY GRAY SIM RAL 7037	7
			1	LEVER, 2POS, 90 DEG	PA66-GF HB	-	WHITE SIM RAL 9010 (9001)	6
			1	2POS, MCON-1.2, REC HSG, 90 DEG, Assy	-	-	-	5
			1	RADIAL SEAL	SILICONE RUBBER	-	WHITE SIM RAL 9010	4
			2	ASSY: ISULATION INSERT - SHIELDING	△	-	-	3
			2	ASSY: ISULATION INSERT - SHIELDING	△	-	-	2
C	2-2310922-3	A	1	CPA	PA66-GF V0	141.6	RED SIM RAL 3000	8
			1	ADAPTER	PA66-GF V0	-	DUSTY GRAY SIM RAL 7037	7
			1	LEVER, 2POS, 90 DEG	PA66-GF HB	-	BLACK SIM RAL 9005 (9011)	6
			1	2POS, MCON-1.2, REC HSG, 90 DEG, Assy	-	-	-	5
			1	RADIAL SEAL	SILICONE RUBBER	-	WHITE SIM RAL 9010	4
			2	ASSY: ISULATION INSERT - SHIELDING	△	-	-	3
			2	ASSY: ISULATION INSERT - SHIELDING	△	-	-	2
B	2-2310922-2	B	1	CPA	PA66-GF V0	141.6	RED SIM RAL 3000	8
			1	ADAPTER	PA66-GF V0	-	DUSTY GRAY SIM RAL 7037	7
			1	LEVER, 2POS, 90 DEG	PA66-GF HB	-	WHITE SIM RAL 9010 (9001)	6
			1	2POS, MCON-1.2, REC HSG, 90 DEG, Assy	-	-	-	5
			1	RADIAL SEAL	SILICONE RUBBER	-	WHITE SIM RAL 9010	4
			2	ASSY: ISULATION INSERT - SHIELDING	△	-	-	3
			2	ASSY: ISULATION INSERT - SHIELDING	△	-	-	2
A	2-2310922-1	B	1	CPA	PA66-GF V0	141.6	RED SIM RAL 3000	8
			1	ADAPTER	PA66-GF V0	-	DUSTY GRAY SIM RAL 7037	7
			1	LEVER, 2POS, 90 DEG	PA66-GF HB	-	BLACK SIM RAL 9005 (9011)	6
			1	2POS, MCON-1.2, REC HSG, 90 DEG, Assy	-	-	-	5
			1	RADIAL SEAL	SILICONE RUBBER	-	WHITE SIM RAL 9010	4
			2	ASSY: ISULATION INSERT - SHIELDING	△	-	-	3
			2	ASSY: ISULATION INSERT - SHIELDING	△	-	-	2
1	2POS, 8MM HV, REC HSG, 90 DEG, SEALED	PA66-GF HB	-	ORANGE SIM RAL 2003	1			

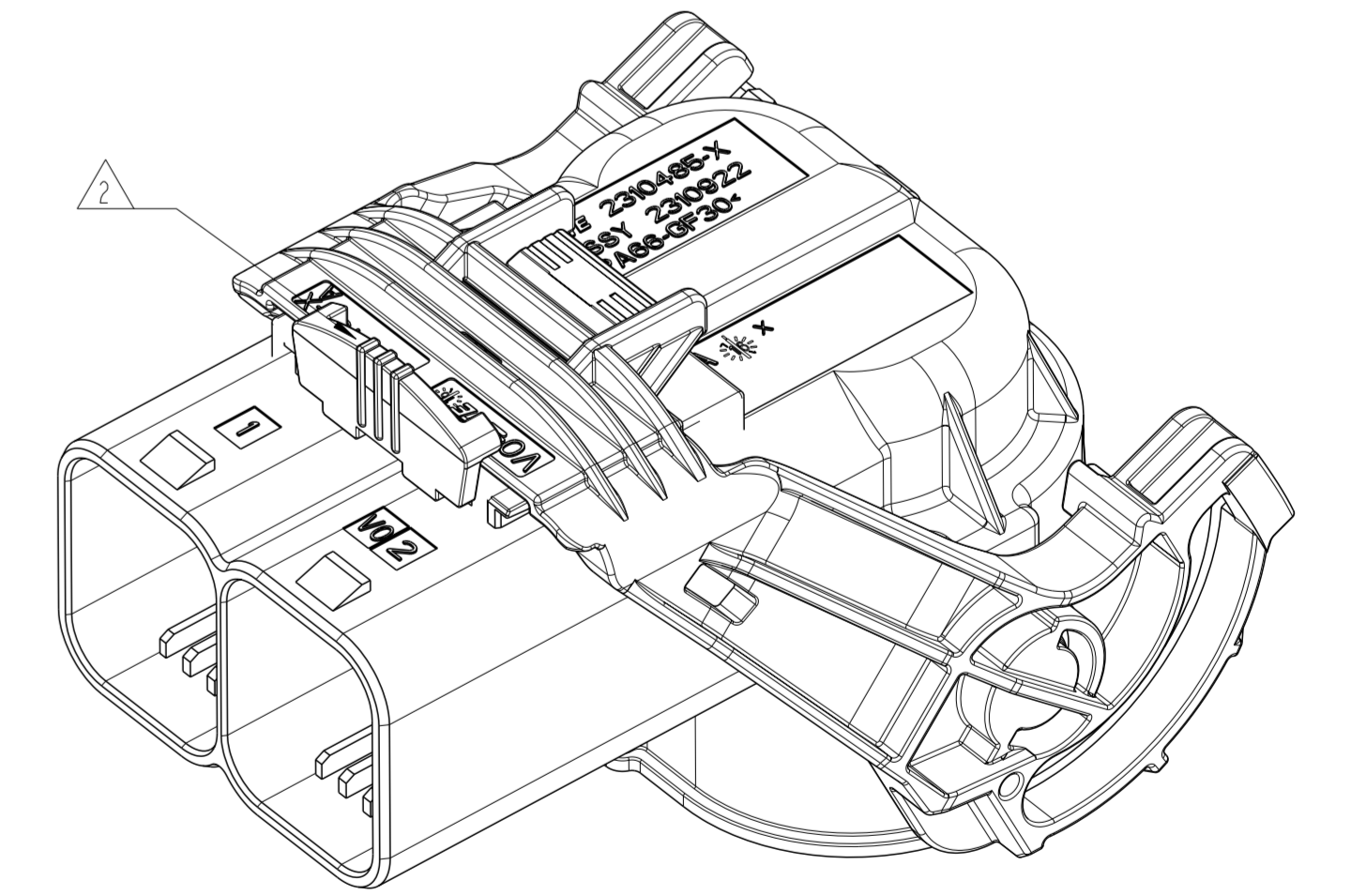
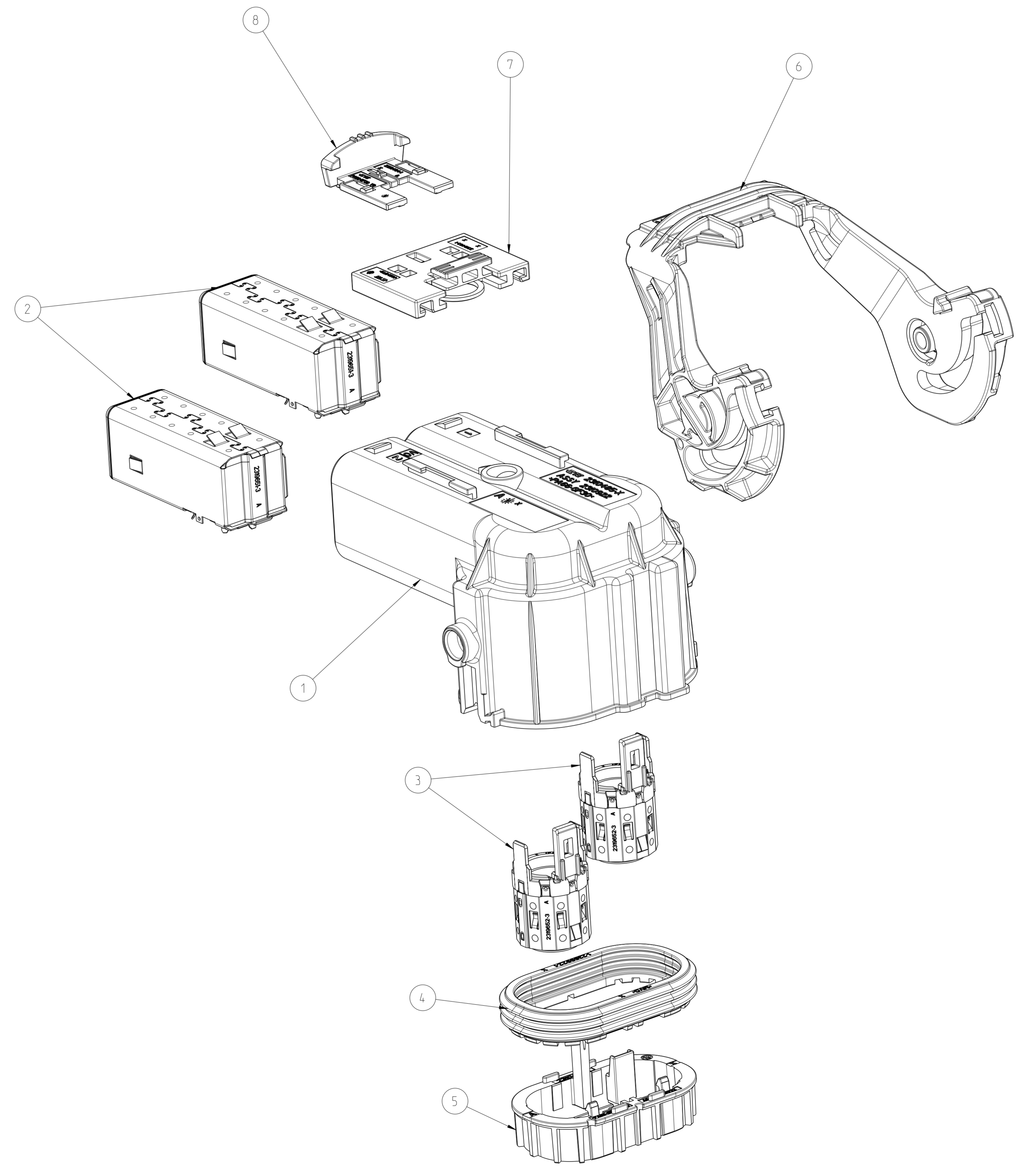
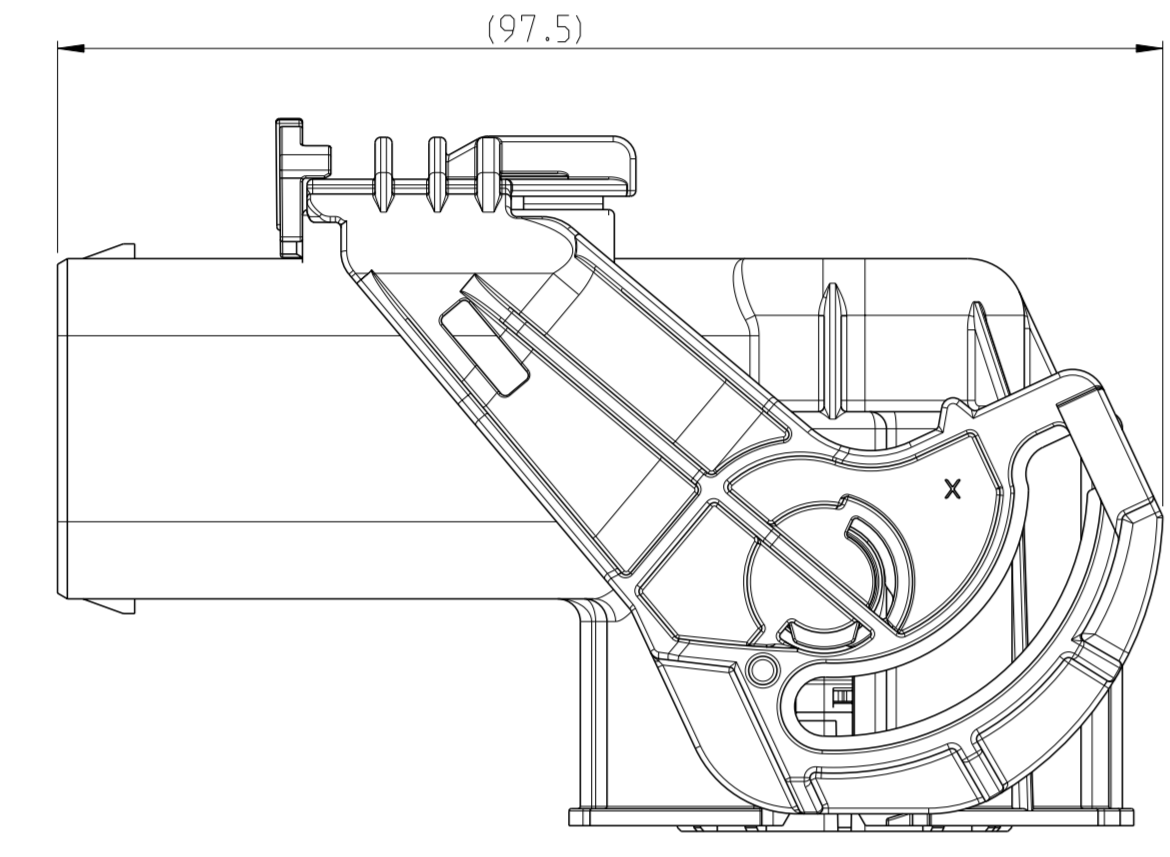
2--1 AS SHOWN

THIS DRAWING IS A CONTROLLED DOCUMENT.		DATE: 12 JUL 2017	BY: J.L.L.
DIMENSIONS: (mm)		DATE: 24 JUL 2017	BY: S.Y. WANG
TOLERANCES UNLESS OTHERWISE SPECIFIED:		DATE: 02 AUG 2017	BY: J.W.Y.
Ø	±0.05	DATE: 10 SEP 2017	BY: J.W.Y.
PL	±0.01	DATE: 10 SEP 2017	BY: J.W.Y.
PC	±0.005	DATE: 10 SEP 2017	BY: J.W.Y.
ANGLE	±0.05	DATE: 10 SEP 2017	BY: J.W.Y.
FINISH: SPEC 2		DATE: 10 SEP 2017	BY: J.W.Y.
CUSTOMER DRAWING		DATE: 10 SEP 2017	BY: J.W.Y.

NAME: 2POS, 8mm HV, REC HSG, 90 DEG, ASSY SEALED	SCALE: 1:1	SHEET: 3 of 4
SIZE: A0	CASE CODE: 00779	DRAWING NO: 2310922
RESTRICTED TO:		



CODINGS



COD.	TE	ASSY-NO.	ASSY-REV	QTY	DESCRIPTION	MATERIAL	WEIGHT (g)	SURFACE COLOUR	ITEM
D	3-2310922-4	A	1	CPA	PA66-GF V0	(14.1.6)	RED SIM RAL 3000	8	8
			1	ADAPTER	PA66-GF V0		DUSTY GRAY SIM RAL 7037	7	
			1	LEVER, 2POS, 90 DEG	PA66-GF V0		WHITE SIM RAL 9010 (9001)	6	
			1	2POS. MCON-1.2, REC HSG, 90 DEG, Assy	-		-	5	
			1	RADIAL SEAL	SILICONE RUBBER		LIGHT BLUE	4	
			2	ASSY: ISULATION INSERT - SHIELDING	△		-	3	
			2	ASSY: ISULATION INSERT - SHIELDING	△		-	2	
			1	2POS. 8MM HV, REC HSG, 90 DEG, SEALED	PA66-GF V0		ORANGE SIM RAL 2003	1	
C	3-2310922-3	A	1	CPA	PA66-GF V0	(14.1.6)	RED SIM RAL 3000	8	8
			1	ADAPTER	PA66-GF V0		DUSTY GRAY SIM RAL 7037	7	
			1	LEVER, 2POS, 90 DEG	PA66-GF V0		BLACK SIM RAL 9005 (9011)	6	
			1	2POS. MCON-1.2, REC HSG, 90 DEG, Assy	-		-	5	
			1	RADIAL SEAL	SILICONE RUBBER		LIGHT BLUE	4	
			2	ASSY: ISULATION INSERT - SHIELDING	△		-	3	
			2	ASSY: ISULATION INSERT - SHIELDING	△		-	2	
			1	2POS. 8MM HV, REC HSG, 90 DEG, SEALED	PA66-GF V0		ORANGE SIM RAL 2003	1	
B	3-2310922-2	B	1	CPA	PA66-GF V0	(14.1.6)	RED SIM RAL 3000	8	8
			1	ADAPTER	PA66-GF V0		DUSTY GRAY SIM RAL 7037	7	
			1	LEVER, 2POS, 90 DEG	PA66-GF V0		WHITE SIM RAL 9010 (9001)	6	
			1	2POS. MCON-1.2, REC HSG, 90 DEG, Assy	-		-	5	
			1	RADIAL SEAL	SILICONE RUBBER		LIGHT BLUE	4	
			2	ASSY: ISULATION INSERT - SHIELDING	△		-	3	
			2	ASSY: ISULATION INSERT - SHIELDING	△		-	2	
			1	2POS. 8MM HV, REC HSG, 90 DEG, SEALED	PA66-GF V0		ORANGE SIM RAL 2003	1	
A	3-2310922-1	B	1	CPA	PA66-GF V0	(14.1.6)	RED SIM RAL 3000	8	8
			1	ADAPTER	PA66-GF V0		DUSTY GRAY SIM RAL 7037	7	
			1	LEVER, 2POS, 90 DEG	PA66-GF V0		BLACK SIM RAL 9005 (9011)	6	
			1	2POS. MCON-1.2, REC HSG, 90 DEG, Assy	-		-	5	
			1	RADIAL SEAL	SILICONE RUBBER		LIGHT BLUE	4	
			2	ASSY: ISULATION INSERT - SHIELDING	△		-	3	
			2	ASSY: ISULATION INSERT - SHIELDING	△		-	2	
			1	2POS. 8MM HV, REC HSG, 90 DEG, SEALED	PA66-GF V0		ORANGE SIM RAL 2003	1	

REVISIONS			
REV	DATE	DESCRIPTION	BY
1		SEE SHEET 1	

3--1 AS SHOWN

THIS DRAWING IS A CONTROLLED DOCUMENT. DATE: 12 JUL 2017. DRAWN BY: J.L.L. CHECKED BY: S.Y. WANG. APPROVED BY: J. WANG. DATE: 24 JUL 2017. DATE: 02 AUG 2017. NAME: 2POS, 8mm HV, REC HSG, 90 DEG. ASSY SEALED. REFERENCE: REFER TO 100-32233. REFER TO 114-32213. SIZE: A0. CASE CODE: 00779. DRAWING NO: 2310922. SCALE: 1:1. SHEET 6 OF 6. RESTRICTED TO: CUSTOMER DRAWING.

## X-ON Electronics

Largest Supplier of Electrical and Electronic Components

*Click to view similar products for [Automotive Connectors](#) category:*

*Click to view products by [TE Connectivity](#) manufacturer:*

Other Similar products are found below :

[003-018-000](#) [60993906-B](#) [72.330.1035.1](#) [776880-1](#) [827153-1](#) [9-1326729-8](#) [9-221607-5](#) [925474-1](#) [928905-1](#) [964562-4](#) [968782-1](#) [12004468](#)  
[12004475-L](#) [12004483](#) [12052466](#) [12066163](#) [12015909](#) [12077753](#) [1-21030-1](#) [12047957](#) [12047958](#) [12084688](#) [12185550](#) [12336-12](#) [1-](#)  
[326211-1](#) [13681974](#) [13688972](#) [13755420](#) [13779834](#) [13783086](#) [13843152](#) [13522378](#) [13581967](#) [13669624](#) [13675513](#) [13753471](#) [13946876](#)  
[13953457](#) [13955963](#) [13964573](#) [13971791](#) [13790534-L](#) [13797473](#) [13805590](#) [13888202](#) [13969981](#) [1428188-1](#) [1437287-3](#) [1428188-2](#) [DS07-](#)  
[19S-5020](#)