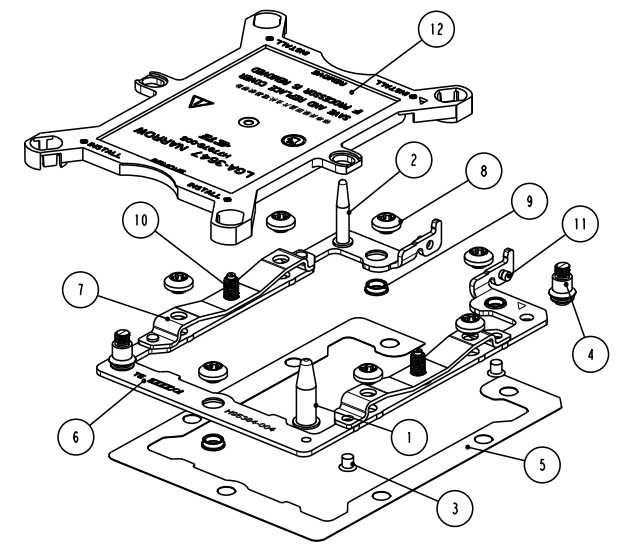
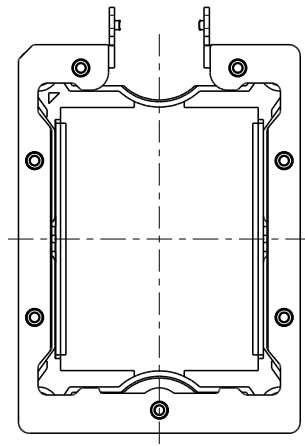
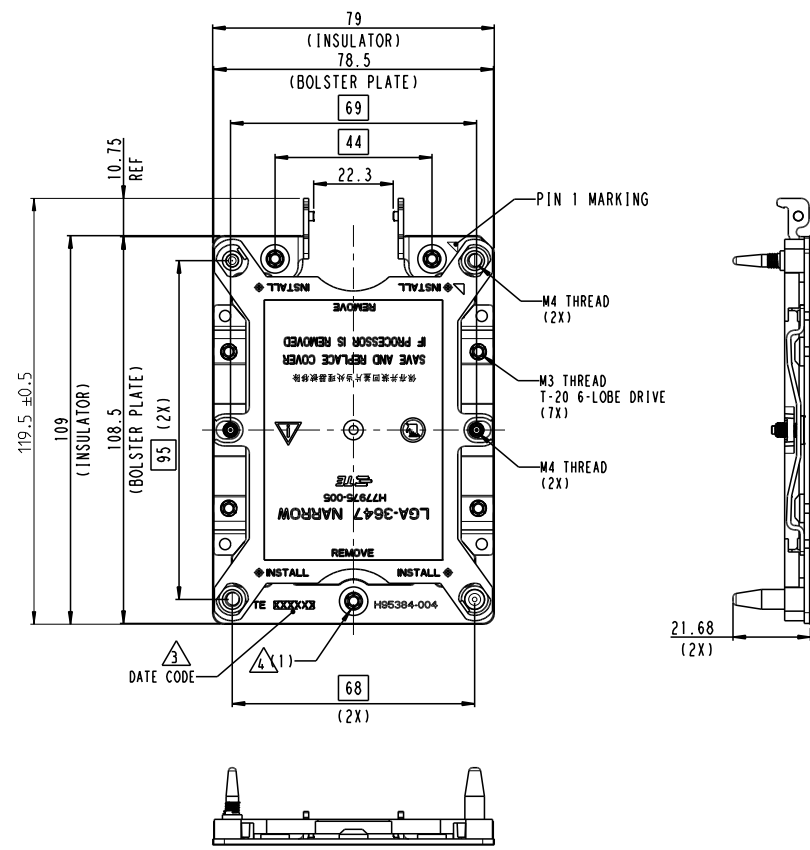


REVISIONS				
P	LTR	DESCRIPTION	DATE	OWN APVD
A2		REVISED	01FEB18	J.W S.L



- NOTES:
- MATERIAL:
 - ① BOLSTER LARGE GUIDE POST: STAINLESS STEEL
 - ② BOLSTER SMALL GUIDE POST: STAINLESS STEEL
 - ③ SKT-P-KNL, SPRING RIVET: STAINLESS STEEL
 - ④ SKX BOLSTER CORNER STANDOFF: STAINLESS STEEL
 - ⑤ SKX NRW NON FABRIC BOLSTER INSULATOR: -POLYCARBONATE FILM PLUS ACRYLIC ADHESIVE LAYER
 - ⑥ SKX NRW NON FABRIC BOLSTER PLATE: STAINLESS STEEL
 - ⑦ SKX-EP NRW SPRING: STAINLESS STEEL
 - ⑧ SOCKET P M3 BOLSTER CAPTIVE NUT: CARBON STEEL, NICKEL PLATING
 - ⑨ SOCKET P M3 BOLSTER CAPTIVE NUT COLLAR: CARBON STEEL, NICKEL PLATING
 - ⑩ SKT-EP SPRING STUD: STAINLESS STEEL
 - ⑪ KNL BOLSTER LEC GUIDE PIN: STAINLESS STEEL
 - ⑫ NRW DUST COVER: THERMO-PLASTIC, UL94V-0, BLACK
 - ASSEMBLED WITH BOLSTER ASSEMBLY P/N: 2299805 SERIES
 - INDICATED DATE CODE ON THE BOLSTER PLATE
 - NUT ASSEMBLY SEQUENCE FOR 6 CYCLES: ASSEMBLE (1) AND THE REMAINING NUTS IN ANY ORDER. DISSASSEMBLE IN REVERSE ORDER OF ASSEMBLE

P/N: 2310924-1 AS SHOW (NRW FABRIC TYPE WITH COVER)

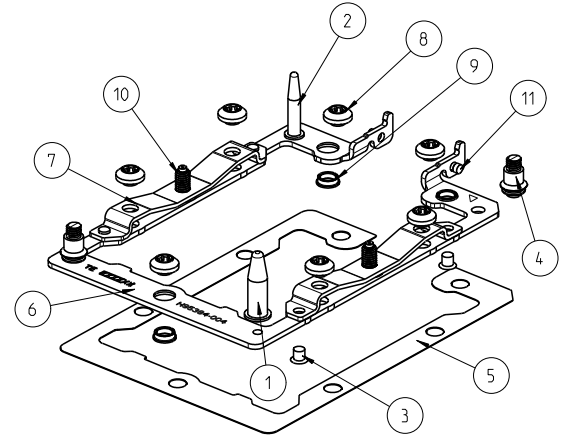
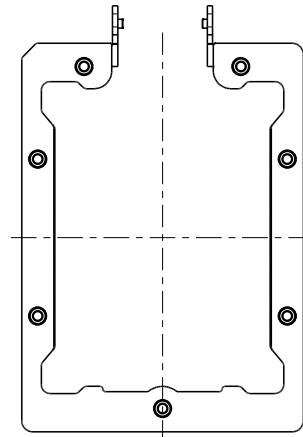
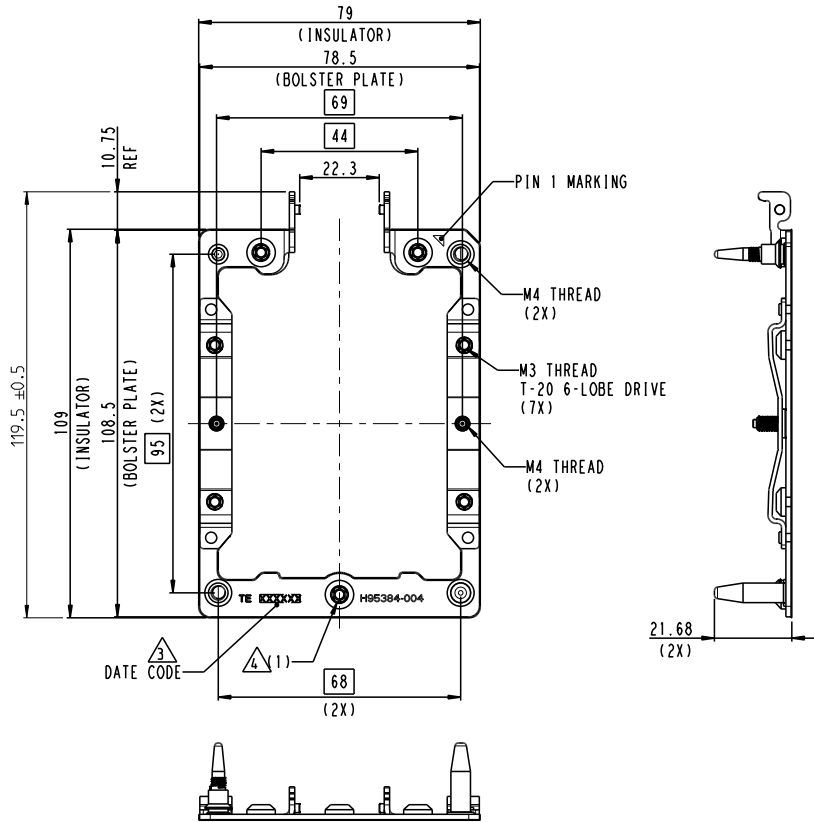
Q'TY	DESCRIPTION	ITEM
1	NRW DUST COVER	12
2	KNL BOLSTER LEC GUIDE PIN	11
2	SKT-EP SPRING STUD	10
3	SOCKET P M3 BOLSTER CAPTIVE NUT COLLAR	9
7	SOCKET P M3 BOLSTER CAPTIVE NUT	8
2	SKX-EP NRW SPRING	7
1	SKX NRW FABRIC BOLSTER PLATE	6
1	SKX NRW NON FABRIC BOLSTER INSULATOR	5
2	SKX BOLSTER CORNER STANDOFF	4
4	SKT-P-KNL, SPRING RIVET	3
1	KNL BOLSTER SMALL GUIDE POST	2
1	KNL BOLSTER LARGE GUIDE POST	1

THIS DRAWING IS A CONTROLLED DOCUMENT.

DIMENSIONS: mm	TOLERANCES UNLESS OTHERWISE SPECIFIED: 0 PLC ±0.3 1 PLC ±0.3 2 PLC ±0.3 3 PLC ±0.3 4 PLC ±0.3 ANGLES ±3 FINISH	DWN: 16-Nov-2016 CHE: JEFF WANG SIMON LI APVD: 16-Nov-2016 COREL WANG PRODUCT SPEC: 108-115115 APPLICATION SPEC: 114-115011 WEIGHT:	NAME: COREL WANG SKX-EP NRW FABRIC BOLSTER PLATE ASSY SIZE: A2 CAGE CODE: - DRAWING NO: C-2310924 RESTRICTED TO: - SCALE: 1:1 SHEET: 1 OF 2 REV: A2
----------------	---	--	---

CUSTOMER DRAWING

REVISIONS				
P	LTR	DESCRIPTION	DATE	OWN APVD
-	-	SEE SHEET 1	-	-



- NOTES:
- MATERIAL:
 - ① BOLSTER LARGE GUIDE POST: STAINLESS STEEL
 - ② BOLSTER SMALL GUIDE POST: STAINLESS STEEL
 - ③ SKT-P-KNL, SPRING RIVET: STAINLESS STEEL
 - ④ SKX BOLSTER CORNER STANDOFF: STAINLESS STEEL
 - ⑤ SKX NRW NON FABRIC BOLSTER INSULATOR: -POLYCARBONATE FILM PLUS ACRYLIC ADHESIVE LAYER
 - ⑥ SKX NRW NON FABRIC BOLSTER PLATE: STAINLESS STEEL
 - ⑦ SKX-EP NRW SPRING: STAINLESS STEEL
 - ⑧ SOCKET P M3 BOLSTER CAPTIVE NUT: CARBON STEEL, NICKEL PLATING
 - ⑨ SOCKET P M3 BOLSTER CAPTIVE NUT COLLAR: CARBON STEEL, NICKEL PLATING
 - ⑩ SKT-EP SPRING STUD: STAINLESS STEEL
 - ⑪ KNL BOLSTER LEC GUIDE PIN: STAINLESS STEEL
 - ASSEMBLED WITH BOLSTER ASSEMBLY P/N: 2299805 SERIES
 - INDICATED DATE CODE ON THE BOLSTER PLATE
 - NUT ASSEMBLY SEQUENCE FOR 6 CYCLES: ASSEMBLE (1) AND THE REMAINING NUTS IN ANY ORDER. DISASSEMBLE IN REVERSE ORDER OF ASSEMBLE

P/N: 2310924-3 AS SHOW (NRW FABRIC TYPE WITHOUT COVER)

Q'TY	DESCRIPTION	ITEM
2	KNL BOLSTER LEC GUIDE PIN	11
2	SKT-EP SPRING STUD	10
3	SOCKET P M3 BOLSTER CAPTIVE NUT COLLAR	9
7	SOCKET P M3 BOLSTER CAPTIVE NUT	8
2	SKX-EP NRW SPRING	7
1	SKX NRW FABRIC BOLSTER PLATE	6
1	SKX NRW NON FABRIC BOLSTER INSULATOR	5
2	SKX BOLSTER CORNER STANDOFF	4
4	SKT-P-KNL, SPRING RIVET	3
1	KNL BOLSTER SMALL GUIDE POST	2
1	KNL BOLSTER LARGE GUIDE POST	1

THIS DRAWING IS A CONTROLLED DOCUMENT.

DIMENSIONS: mm	TOLERANCES UNLESS OTHERWISE SPECIFIED:	0 PLC ±0.3	1 PLC ±0.3	2 PLC ±0.3	3 PLC ±0.3	4 PLC ±0.3	ANGLES ±0.3	FINISH
MATERIAL		WEIGHT		CUSTOMER DRAWING		SCALE 1:1		SHEET 2 OF 2

DRW: 16-Nov-2016	JEFF WANG	TE Connectivity
CHK: 16-Nov-2016	SIMON LI	
APPD: 16-Nov-2016	LOREL WANG	
PRODUCT SPEC: 108-115115	APPLICATION SPEC: 114-115011	SIZE: A2
SKX-EP NRW FABRIC BOLSTER PLATE ASSY		DRAWING NO: C-2310924
RESTRICTED TO		REV: A2

X-ON Electronics

Largest Supplier of Electrical and Electronic Components

Click to view similar products for [TE Connectivity](#) manufacturer:

Other Similar products are found below :

[D38999/24FJ4AN](#) [570416-000](#) [CLTEQ-M81CE-SSRELAY-4-20V](#) [4-1195131-0](#) [650069-000](#) [SMD100-2](#) [358838-000](#) [CB-1022B-78](#)
[RM707012](#) [RP410012](#) [MMS42](#) [1-640426-8](#) [2EDL4CM](#) [DTS20W19-11PD-3028-LC](#) [RM202615](#) [NC6-P104-06](#) [MSPS103B](#) [DTS26F21-](#)
[41HE-LC](#) [DTS26F21-41AE](#) [DTS26F21-41PE-LC](#) [DTS26F21-11SE-3028-LC](#) [30DCB6](#) [1932144-1](#) [293545-4](#) [LVR125S](#) [MS27466T25F4PB](#)
[CKB-38-78010](#) [TR04AI-TINELLOCKRING](#) [1206SFF150F/63-2](#) [D38999/20JB35HA](#) [TE1500A2R2J](#) [D38999/20WC8BB](#) [DTS24F19-11SC-](#)
[3028-LC](#) [D38999/24WG11HA](#) [D38999/24WG11HN](#) [MS27467T21F11H](#) [DJT16E21-11HA](#) [MS27467T21F35J](#) [MS27467T21F11J](#)
[MS27467T21F16H-LC](#) [MS27467T21F35H](#) [MS27467T21F41H-LC](#) [1206SFH150F/24-2](#) [RP330024](#) [DJT16E21-11PA-LC](#) [DJT16E21-11HA-](#)
[LC](#) [DJT16E21-11AA](#) [MS27467T21B11JA](#) [DJT16E21-11JA](#) [MS27467T21B11JA-LC](#)