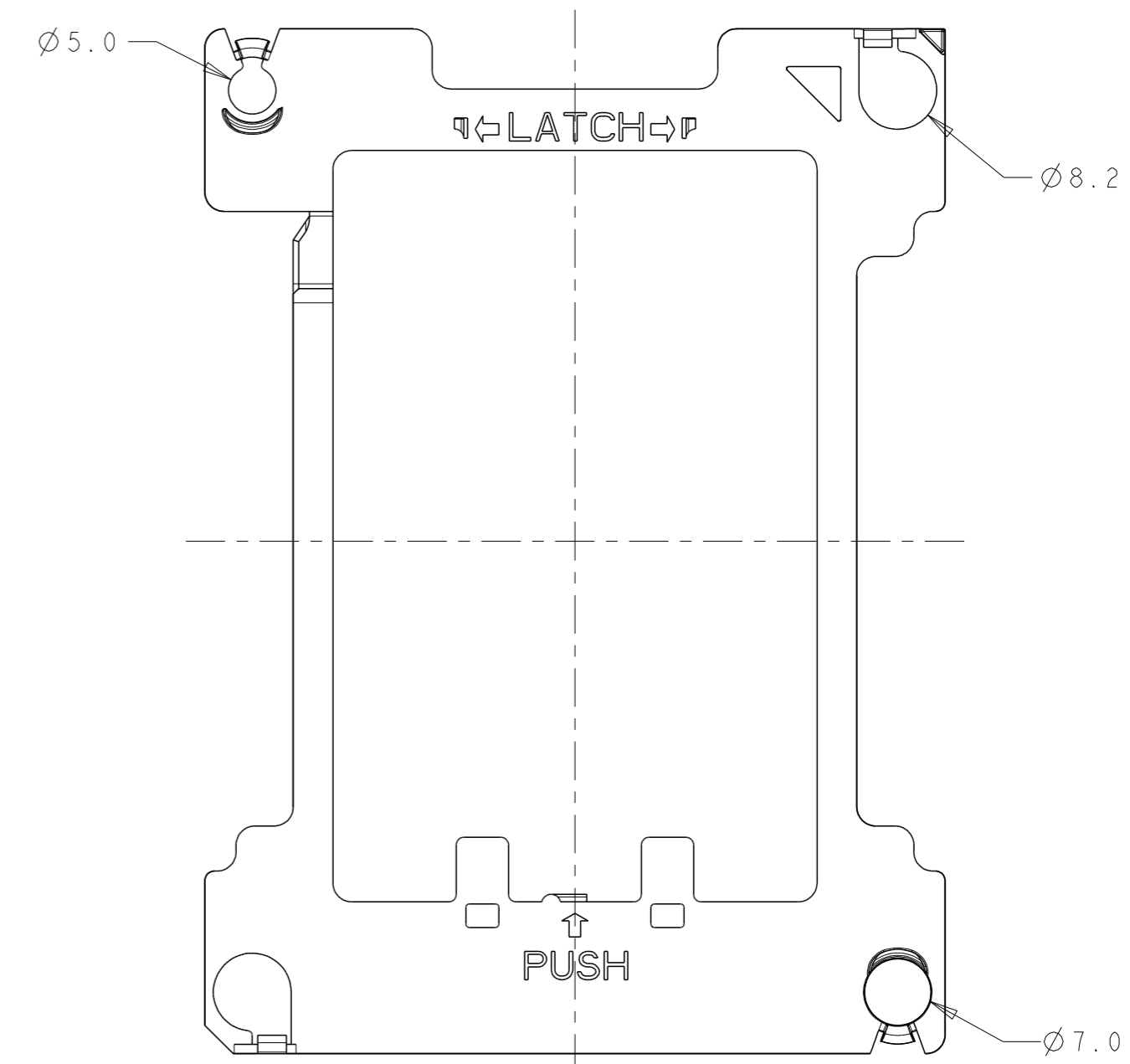
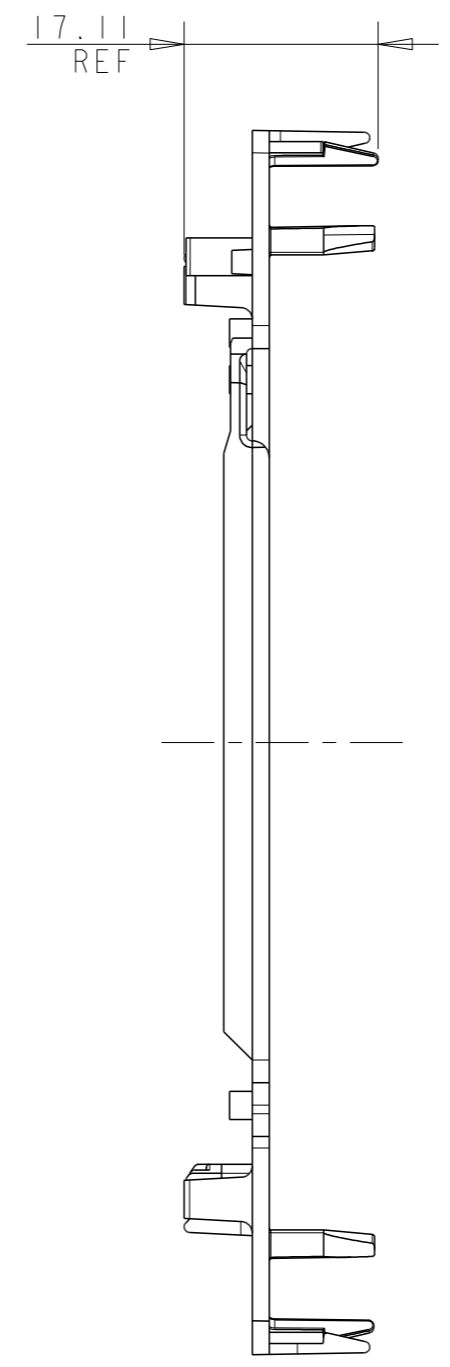
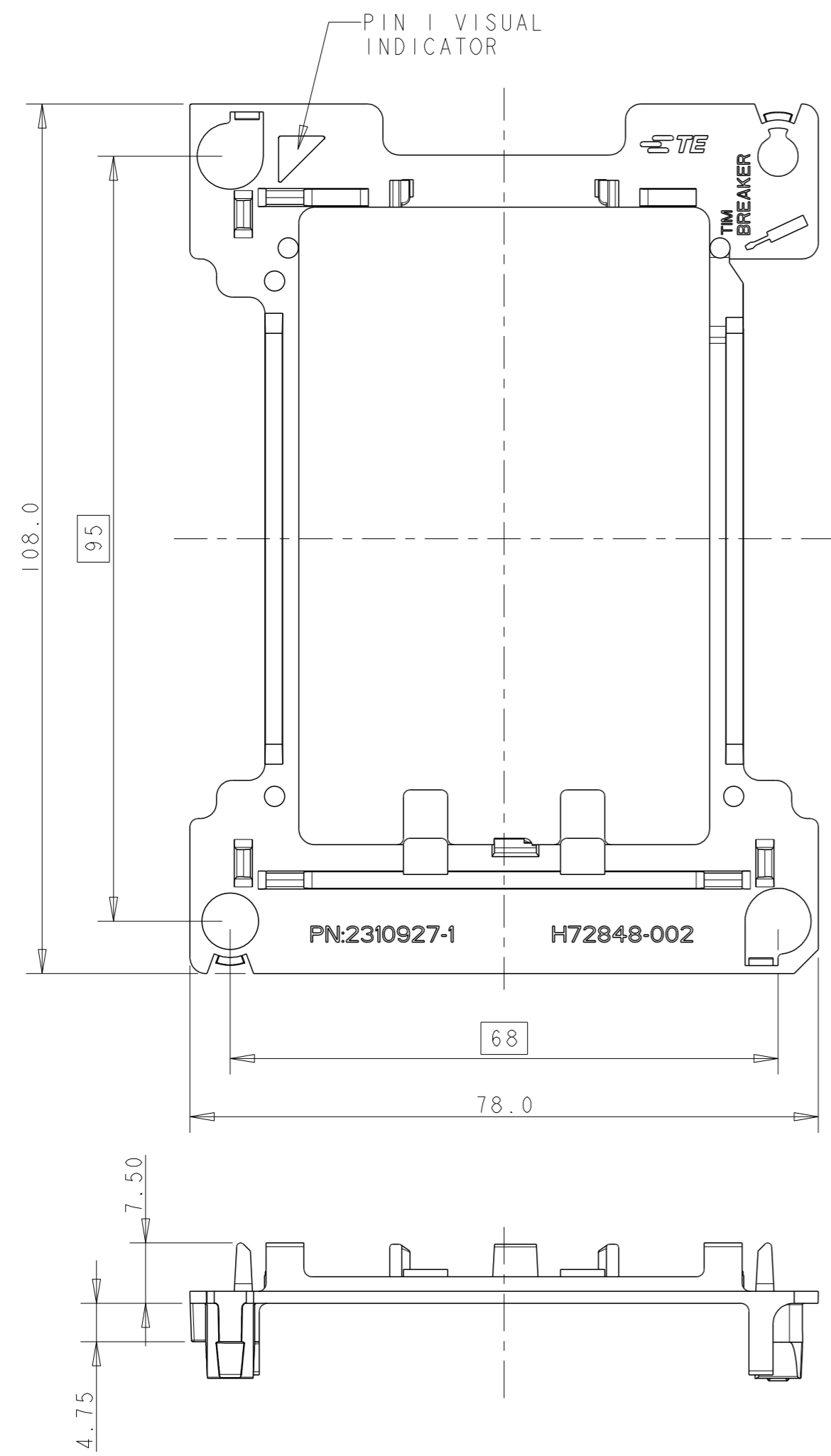


THIS DRAWING IS UNPUBLISHED. RELEASED FOR PUBLICATION
 © COPYRIGHT copyright.d81e- ALL RIGHTS RESERVED.

REVISIONS				
P	LTR	DESCRIPTION	DATE	APVD
	A	RELEASED	27DEC16	J.W C.W



PN 2310927-1 AS SHOWN

NOTE:
 1. MATERIAL:
 -TYPE: PC-ABS, BLACK
 -COLOR: BLACK
 -UL94V-0
 2. THIS PRODUCT IS APPLICABLE FOR LGA3647 SOCKET.

THIS DRAWING IS A CONTROLLED DOCUMENT.		DWN: JEFF WANG 14-Nov-16	TE Connectivity	
DIMENSIONS: mm		CHK: SIMON LI 14-Nov-16		
TOLERANCES UNLESS OTHERWISE SPECIFIED:		APVD: COREI WANG 14-Nov-16	NAME: SKX-EP NRW FABRIC CARRIER	
0 PLC ±0.3	1 PLC ±0.3	PRODUCT SPEC	SIZE: A2	CAGE CODE: -
2 PLC ±0.3	3 PLC ±0.3	APPLICATION SPEC	DRAWING NO: C-2310927	RESTRICTED TO: -
4 PLC ±0.3	ANGLES ±3	WEIGHT	SCALE: 1:1	SHEET: 1 OF 1
MATERIAL: -	FINISH: -	CUSTOMER DRAWING	REV: A	

X-ON Electronics

Largest Supplier of Electrical and Electronic Components

Click to view similar products for IC & Component Sockets category:

Click to view products by TE Connectivity manufacturer:

Other Similar products are found below :

[0066-3-17-15-30-14-02-0](#) [670](#) [672](#) [673](#) [694-13-640-00-672-000](#) [712-93-120-41-001000](#) [714-93-104-31-018000](#) [8059-4G1-LF](#) [807-22-001-10-001101](#) [807-22-001-10-006101](#) [807-22-001-30-011101](#) [807-22-001-30-012101](#) [807-22-001-30-013101](#) [807-22-001-30-014101](#) [8-1437531-4](#) [8150-6P10](#) [833-93-034-10-001000](#) [851-41-006-10-001000](#) [851-43-008-20-001000](#) [851-43-014-20-001000](#) [851-93-006-20-001000](#) [851-93-010-20-001000](#) [853-43-020-10-001000](#) [86.010.0053.0](#) [116-43-308-41-007000](#) [PX-68LCC](#) [121-13-318-41-001000](#) [121-13-320-41-001000](#) [121-13-308-41-001000](#) [123-43-314-41-801000](#) [123-43-420-41-001000](#) [123-87-320-41-001101](#) [122-13-316-41-001000](#) [123-13-624-41-001000](#) [123-43-306-41-001000](#) [12-3513-11](#) [123-91-320-41-001000](#) [126-43-310-41-002000](#) [AKSUN 37V-T](#) [1437503-9](#) [1437504-1](#) [146-44-308-41-013000](#) [APO-320-G-T](#) [146-43-308-41-012000](#) [160-10-308-00-001000](#) [160-40-320-00-001000](#) [214-99-306-01-670800](#) [232-1270-02-0602](#) [2-382761-4](#) [2-5331677-4](#)