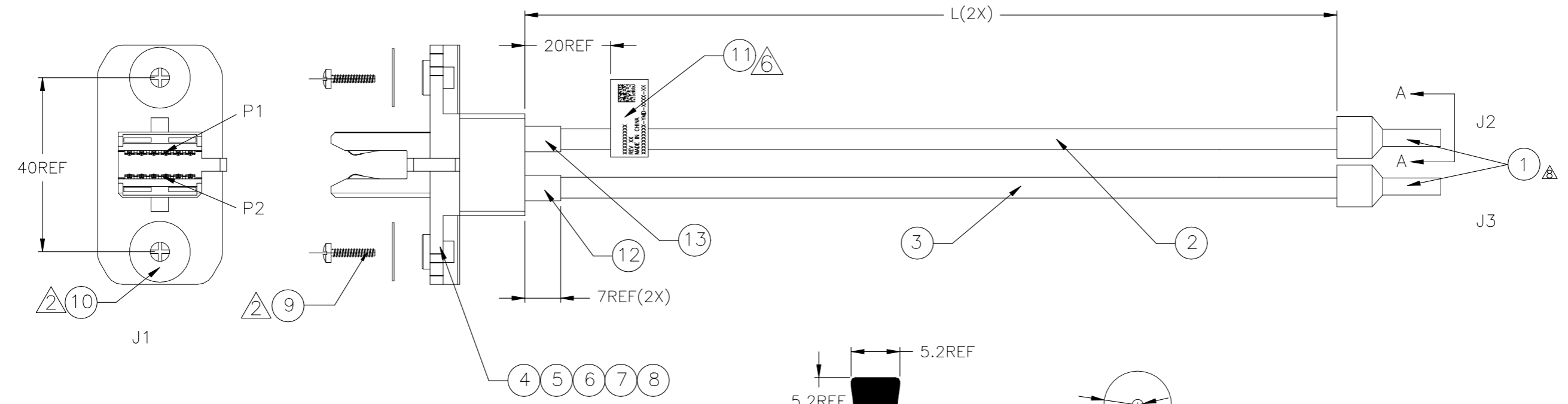
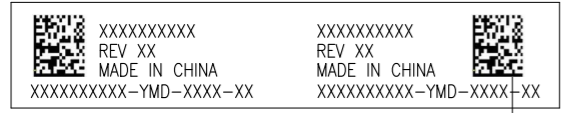


REVISIONS					
P	LTR	DESCRIPTION	DATE	DWN	APVD
	B	REVISED PER ECO-21-000041	04JAN2021	VM	WY



- NOTES:
- 1. 100% KEEP THE PRODUCT NOT OPEN OR SHORT
  - △ SCREWS AND WASHERS WILL BE PACKAGED SEPARATELY.  
RECOMMENDED TORQUE 4kgf.cm MAX.
  - △ CONNECTOR MATE TO PANEL FROM OPPOSITE SIDE.
  - △ NO BURR ALLOWED ON OPPOSITE (MATTING) SIDE.
  - 5. RECOMMENDED BUS-BAR PLATING 3um MIN. SILVER ON CONTACT AREA AND 1.27um MIN. Ni. OVERALL. THICKNESS 6.0±0.05MM WITH C0.5 CHAMFER OR R0.5 ROUND.

△ LABEL PRINTED INFORMATION AS FOLLOWING



XXXXXXXXXX — TE P/N(4X)  
 XX — TE REV(4X)  
 YMD — DATE CODE(2X)  
 Y: THE LAST DATA OF YEAR. FOR EXAMPLE, Y IS 4 FOR 2014  
 M: THE MONTH 1~9, A~C.  
 D: THE DAY 1~9, A~V  
 XXX(2X): SERIES NUMBER, A RADIX OF 36, (0~9,A~Z)  
 X(2X): SERIES NUMBER, A RADIX OF 25, (0~9,A~0)

- 2.1 FONT: Verdana Black, 5pt Height, MEET ISO/IEC 16022, REQUEST OF PRINT.
- 2.2 SCANNING LEVEL: C MIN., OR MEET ISO/IER 15415 STANDARD.
- 2.3 TYPE: DATA MATRIX, MEET ISO/IEC 16022 DATA MATRIX STANDARD.
- 2.4 10 MIL CELL DIMENSION.
- 2.5 300 DPI PRINTER MIN.

- 7. APPLICATION RATING:  
VOLTAGE: 48V DC OR RMS\*  
CURRENT: 75A\*\*  
\*VARIABLE, BASED ON APPLICATION  
\*\*VARIABLE, UP TO 75A, BASED ON WIRING
- △ VARIABLE END, BASED ON CUSTOMER APPLICATION.
- 9. CONTACT LOCAL TE SALES REP OR OCP@TE.com FOR ADDITIONAL PRODUCT OPTIONS AND INFORMATION.
- △ SILVER PLATING CONTACT MAY DISCOLOR IN AIR, BUT NO PERFORMANCE ISSUE.



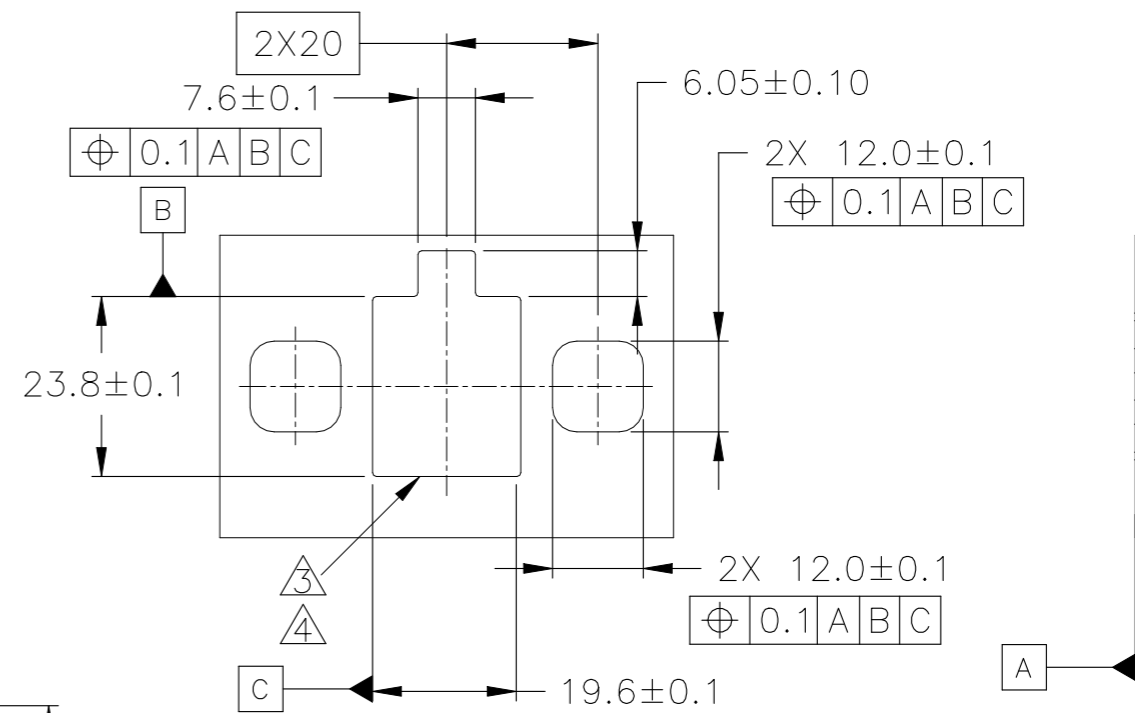
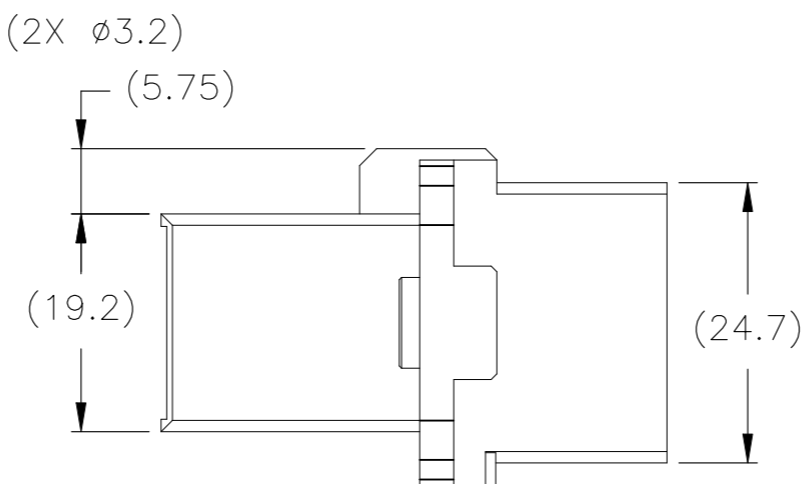
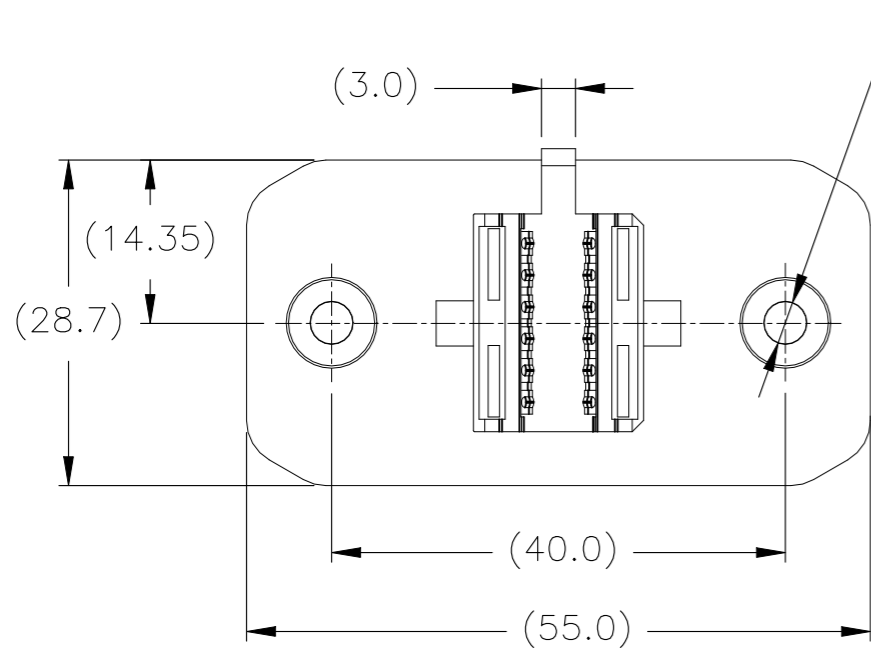
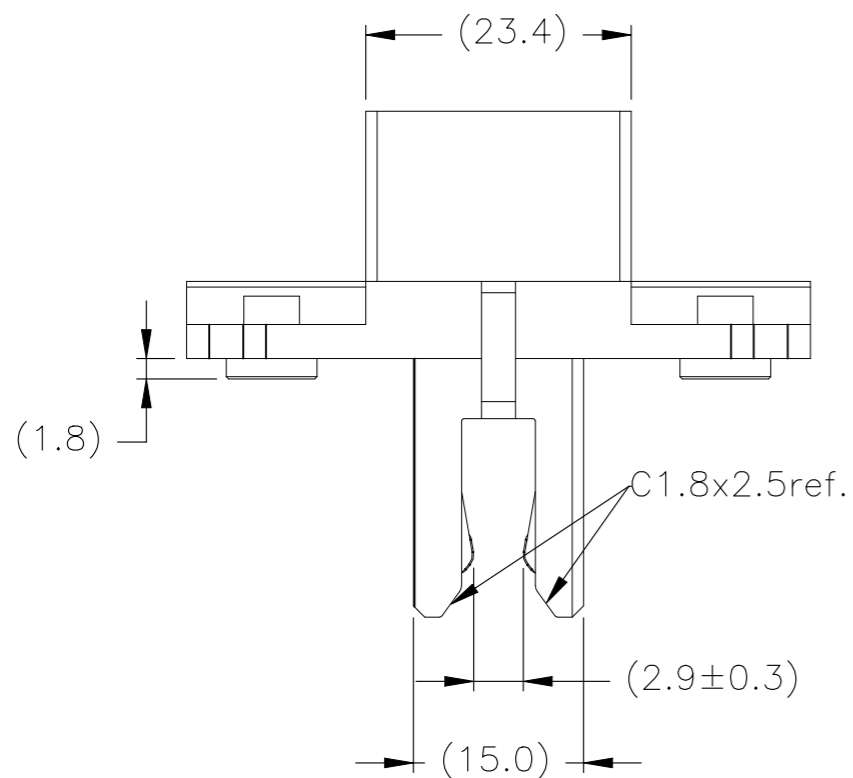
WIRING CHART

ITEM	FROM	TO	ITEM	WIRE
6	J1-P1	J2	1	2,BLACK
	J1-P2	J3		3,RED

AR	MR	DESCRIPTION	QTY
		2311291-2	400±10
		2311291-1	85±5
		TE P/N	CUSTOMER P/N,REV.
			L
AR	MR	H.S.TUBE BLACK	13
AR	MR	H.S.TUBE RED	12
1	PC	LABEL	11
2	PC	WASHER	10
2	PC	SCREW M3*11.4	9
2	PC	METAL CLIP	8
2	PC	2ND LOCK	7
2	PC	BUS-BAR CONTACT	6
2	PC	NUT M3	5
1	PC	BUS-BAR HOUSING	4
AR	MR	WIRE 6AWG RED SUPER FLEXIBLE	3
AR	MR	WIRE 6AWG BLACK SUPER FLEXIBLE	2
2	PC	CORD END TERMINAL, TE 2-966067-6	1
QTY	U/M	DESCRIPTION	ITEM

THIS DRAWING IS A CONTROLLED DOCUMENT.		DWN	31OCT2016	TE Connectivity Ltd. Cable AssY, 48V IT Gear	
		CHK	-		
		APVD	31OCT2016		
		NAME	DAVID ZHANG		
DIMENSIONS: mm		TOLERANCES UNLESS OTHERWISE SPECIFIED:		PRODUCT SPEC	-
		0 PLC	± -	APPLICATION SPEC	-
		1 PLC	± -		
		2 PLC	± -	SIZE	A3
		3 PLC	± -	CAGE CODE	00779
		4 PLC	± -	DRAWING NO	C-2311291
		ANGLES	± -	RESTRICTED TO	-
MATERIAL		FINISH	-	WEIGHT	-
				CUSTOMER DRAWING	
				SCALE	NTS
				SHEET	1 OF 2
				REV	B

REVISIONS					
P	LTR	DESCRIPTION	DATE	DWN	APVD
-	-	SEE SHEET 1	-	-	-



RECOMMEND PANEL LAYOUT THICKNESS=1.2±0.05mm

11. LEAD IN SPECIFICATION OF THIS IT GEAR CONNECTOR IS +/-2mm MAX. WHEN MATING WITH OCP DEFINED 6mm THICK BUS-BAR.

PRODUCT AND PROCESSING MUST MEET REQUIREMENTS OF TE CONNECTIVITY ENVIRONMENTAL STANDARD TEC-138-702

THIS DRAWING IS A CONTROLLED DOCUMENT.		DWN ADAM CHEN CHK -	31OCT2016	<b>TE Connectivity Ltd.</b>		
DIMENSIONS: mm 		TOLERANCES UNLESS OTHERWISE SPECIFIED: 0 PLC ± - 1 PLC ± - 2 PLC ± - 3 PLC ± - 4 PLC ± - ANGLES ± -				APVD DAVID ZHANG PRODUCT SPEC -
MATERIAL -		FINISH -		NAME Cable AssY, 48V IT Gear SIZE A3 CAGE CODE 00779 DRAWING NO C-2311291 RESTRICTED TO -		
CUSTOMER DRAWING				SCALE NTS	SHEET 2 OF 2	REV B

## X-ON Electronics

Largest Supplier of Electrical and Electronic Components

*Click to view similar products for [Specialised Cables category](#):*

*Click to view products by [TE Connectivity manufacturer](#):*

Other Similar products are found below :

[603PT6](#) [603SS6L](#) [604PT6](#) [604SS6](#) [706000D02F200](#) [910640](#) [1200740077](#) [1200740114](#) [AC172](#) [ACL-SSI-4](#) [R88ACAKA0015SRE](#)  
[R88ACAWL005SDE](#) [R88ACRGD0R3C](#) [1300150047](#) [1300660036](#) [1302262116](#) [1300150149](#) [1300220020](#) [1300220104](#) [1300220119](#)  
[1301240492](#) [1301810221](#) [1365323-1](#) [1613055](#) [176P12](#) [1971465-2](#) [20240400003](#) [20240400013](#) [2085828-1](#) [20886510030](#) [2-22733-8](#) [22733-](#)  
[8](#) [CB-5PSBC-RS](#) [CB-704EC-RS](#) [CB-BATACC-RS](#) [CB-JST3PSW-RS](#) [CB-M12COM-R10](#) [25AC84](#) [25AK84X](#) [25AU25](#) [25FN82](#) [3011-03](#)  
[AC118](#) [ACL-HHS-1M\(CAT5E\)](#) [SSL009PC2DC012N](#) [FC2A-KC6C](#) [2085828-2](#) [20886510150](#) [CCS-FCB-5](#) [CCSFCBF2](#)