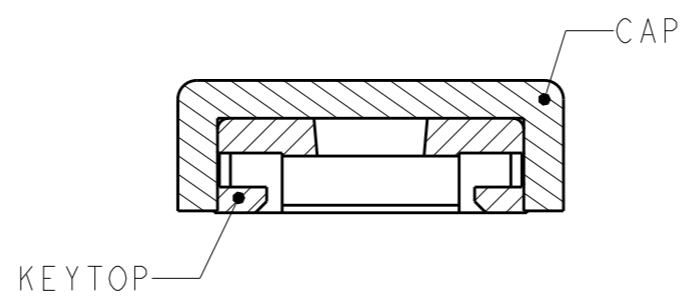
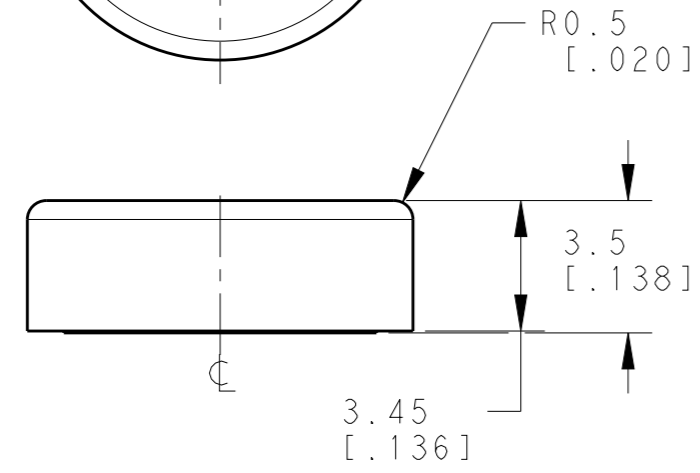
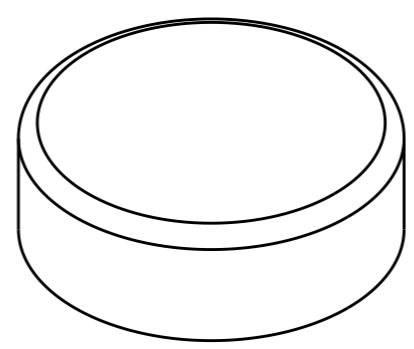
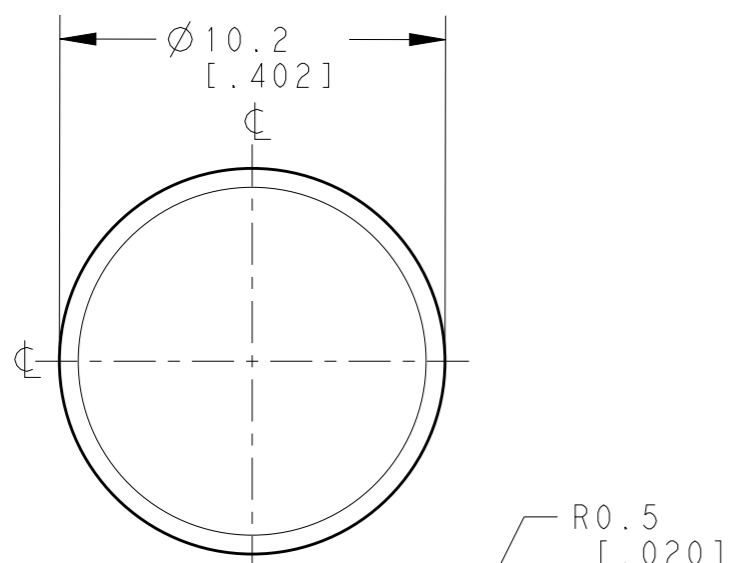
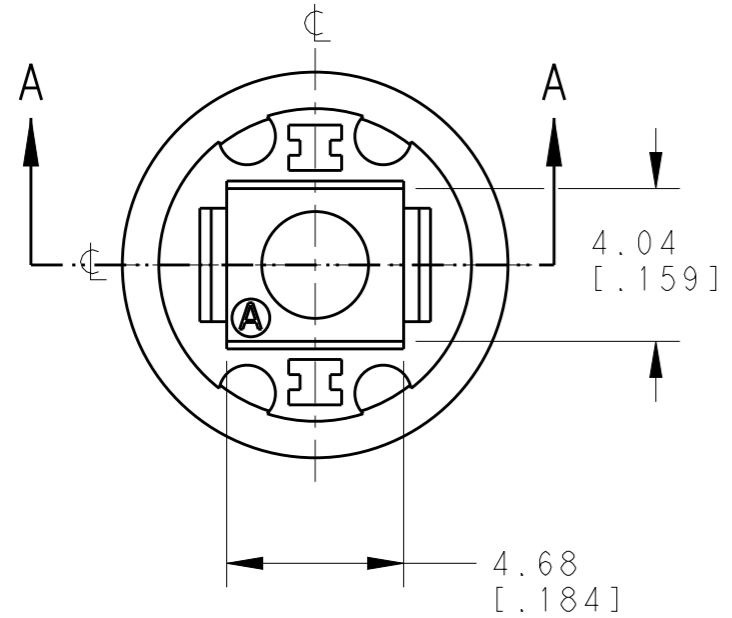


THIS DRAWING IS UNPUBLISHED. RELEASED FOR PUBLICATION 20  
 © COPYRIGHT 20 BY - ALL RIGHTS RESERVED.

REVISIONS					
P	LTR	DESCRIPTION	DATE	DWN	APVD
1		INITIAL RELEASE	27OCT2016	RK	SS
A		RELEASED TO PRODUCTION	21DEC2016	RK	SS



SECTION A-A



SPECIFICATIONS:


MATERIALS  
 CAP : THERMOPLASTIC PC  
 KEYTOP : THERMOPLASTIC ABS

ENVIRONMENTAL  
 OPERATING TEMPERATURE RANGE : -40°C TO +85°C  
 STORAGE TEMPERATURE RANGE : -40°C TO +85°C

NOTE:

1. CAPS ARE BULK PACKED IN PLASTIC BAGS. BAGS TO BE LABELED WITH THE INFORMATION DEFINED IN TEC-107-115. BAGS SHALL BE SHIPPED IN SUITABLE BOXES AS DEFINED IN TEC-107-115.
2. ALL MATERIALS AND FINISHES SHALL COMPLY WITH EU DIRECTIVE 2002/95/EC OF 27JAN2003(ROHS).
3. THESE PARTS ARE DESIGNED FOR USE WITH ILLUMINATED TACTILE SWITCHES TE P/N SERIES 2213818-X AND 2213819-X.
4. CAP SHALL BE INSTALLED AFTER SOLDERING THE ILLUMINATED TACTILE SWITCH TO PCB.

CLEAR	YELLOW	2311402-5
CLEAR	BLUE	2311402-4
CLEAR	RED	2311402-3
CLEAR	BLACK	2311402-2
CLEAR	GREEN	2311402-1
CAP	KEYTOP	TE PART NUMBER
COLOR		

THIS DRAWING IS A CONTROLLED DOCUMENT.		DWN 27OCT2016 RAGHAVENDRA K	 TE Connectivity		
DIMENSIONS: mm[inches]		CHK 27OCT2016 SANJAY S			
TOLERANCES UNLESS OTHERWISE SPECIFIED: GENERAL TOLERANCES ±0.3		APVD 27OCT2016 PETER OTT	NAME CAP FOR ILLUMINATED TACTILE SWITCH		
0 PLC ±- 1 PLC ±- 2 PLC ±- 3 PLC ±- 4 PLC ±- ANGLES ±-		PRODUCT SPEC -	RESTRICTED TO -		
MATERIAL SEE NOTE		APPLICATION SPEC -	SIZE A3	CAGE CODE 00779	DRAWING NO C-2311402
FINISH -		WEIGHT -	SCALE 5:1		SHEET 1 OF 1
-		CUSTOMER DRAWING	REV A		

## X-ON Electronics

Largest Supplier of Electrical and Electronic Components

*Click to view similar products for [Switch Bezels / Switch Caps](#) category:*

*Click to view products by [TE Connectivity](#) manufacturer:*

Other Similar products are found below :

[896809000](#) [LW1A-B2-R](#) [LW2A-B1-G](#) [704.604.4](#) [704.955.3](#) [F1403](#) [7527](#) [760203000](#) [760503000](#) [766601000](#) [785105000](#) [785106000](#)  
[79211759](#) [MG12KB](#) [MH11](#) [MH13](#) [MHU31](#) [MJ1216](#) [MJ1226](#) [MJ33](#) [MJ612](#) [MJ626](#) [MJ627](#) [9001T8BK](#) [908-1634](#) [92-343.200](#) [92-343.400](#)  
[95804.920](#) [95CAP-011](#) [95CAP-112](#) [11-932.7](#) [99-901.9](#) [99-902.9](#) [99-909.4](#) [99-909.5](#) [99-920.8](#) [A0261A](#) [11-931.2](#) [11-932.5](#) [11-936](#)  
[AKTSC22B](#) [AT496H](#) [AW-RF8](#) [161006](#) [1825068-6](#) [184-1872](#) [187-1872](#) [188-1471](#) [1DFBLK](#) [1D-GRY](#)