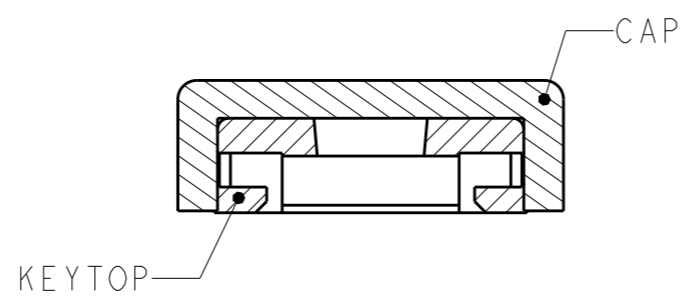
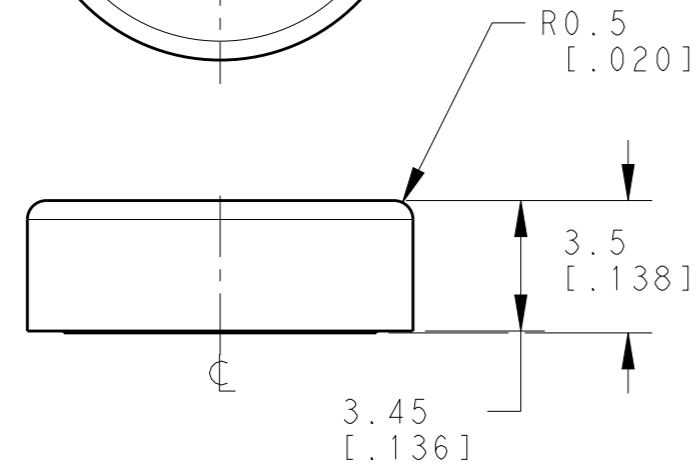
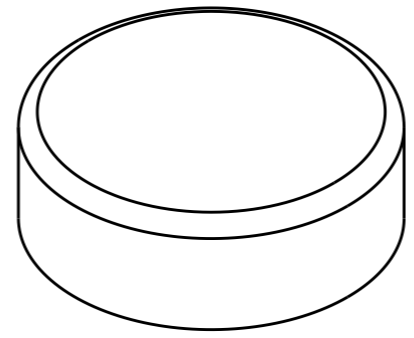
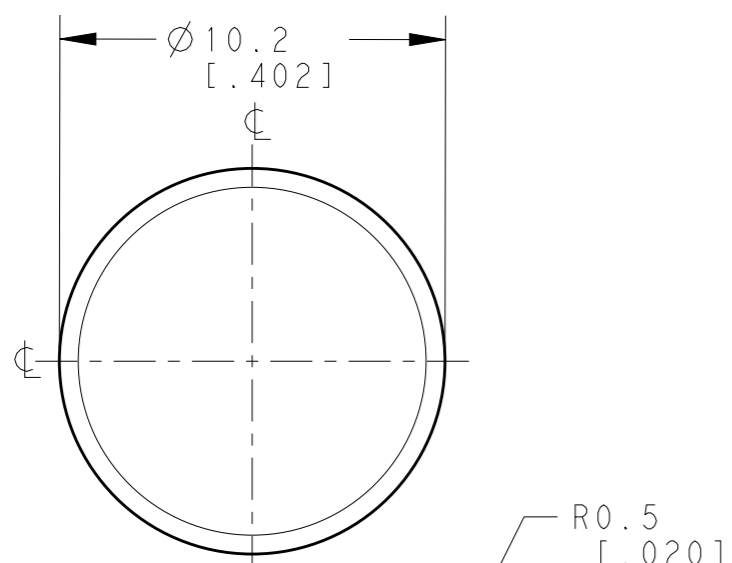
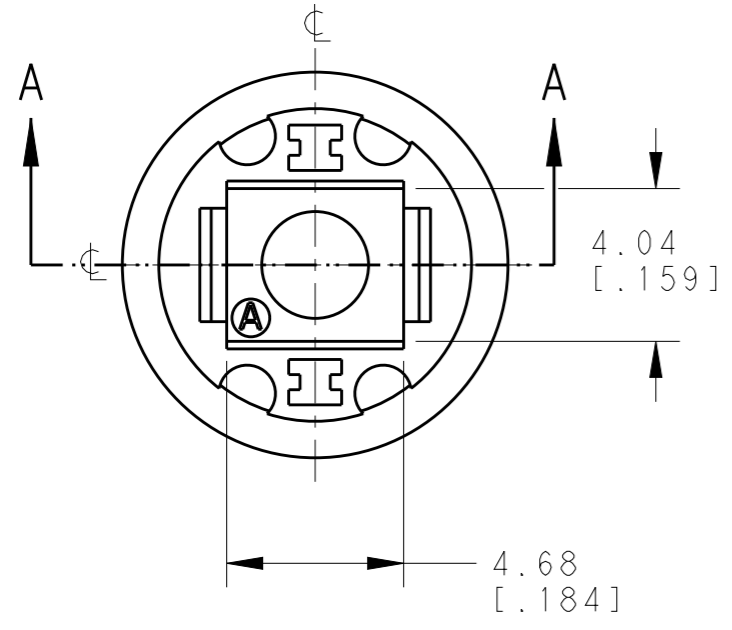


THIS DRAWING IS UNPUBLISHED. RELEASED FOR PUBLICATION 20
 © COPYRIGHT 20 BY - ALL RIGHTS RESERVED.

| REVISIONS | | | | | |
|-----------|-----|------------------------|-----------|-----|------|
| P | LTR | DESCRIPTION | DATE | DWN | APVD |
| 1 | | INITIAL RELEASE | 27OCT2016 | RK | SS |
| A | | RELEASED TO PRODUCTION | 21DEC2016 | RK | SS |
| | | | | | |
| | | | | | |



SECTION A-A



SPECIFICATIONS:


MATERIALS
 CAP : THERMOPLASTIC PC
 KEYTOP : THERMOPLASTIC ABS

ENVIRONMENTAL
 OPERATING TEMPERATURE RANGE : -40°C TO +85°C
 STORAGE TEMPERATURE RANGE : -40°C TO +85°C

NOTE:

1. CAPS ARE BULK PACKED IN PLASTIC BAGS. BAGS TO BE LABELED WITH THE INFORMATION DEFINED IN TEC-107-115. BAGS SHALL BE SHIPPED IN SUITABLE BOXES AS DEFINED IN TEC-107-115.
2. ALL MATERIALS AND FINISHES SHALL COMPLY WITH EU DIRECTIVE 2002/95/EC OF 27JAN2003(ROHS).
3. THESE PARTS ARE DESIGNED FOR USE WITH ILLUMINATED TACTILE SWITCHES TE P/N SERIES 2213818-X AND 2213819-X.
4. CAP SHALL BE INSTALLED AFTER SOLDERING THE ILLUMINATED TACTILE SWITCH TO PCB.

| | | |
|-------|--------|----------------|
| CLEAR | YELLOW | 2311402-5 |
| CLEAR | BLUE | 2311402-4 |
| CLEAR | RED | 2311402-3 |
| CLEAR | BLACK | 2311402-2 |
| CLEAR | GREEN | 2311402-1 |
| CAP | KEYTOP | TE PART NUMBER |
| COLOR | | |

| | | | | | |
|---|--|--------------------------------|---|--------------------|-------------------------|
| THIS DRAWING IS A CONTROLLED DOCUMENT. | | DWN 27OCT2016 RAGHAVENDRA K |  TE Connectivity | | |
| DIMENSIONS: mm[inches] | | CHK 27OCT2016 SANJAY S | | | |
| TOLERANCES UNLESS OTHERWISE SPECIFIED: GENERAL TOLERANCES ±0.3 | | APVD 27OCT2016 PETER OTT | NAME CAP FOR ILLUMINATED TACTILE SWITCH | | |
| 0 PLC ±- 1 PLC ±- 2 PLC ±- 3 PLC ±- 4 PLC ±- ANGLES ±- | | PRODUCT SPEC - | RESTRICTED TO - | | |
| MATERIAL SEE NOTE | | APPLICATION SPEC - | SIZE A3 | CAGE CODE 00779 | DRAWING NO C-2311402 |
| FINISH - | | WEIGHT - | SCALE 5:1 SHEET 1 OF 1 REV A | | |
| - | | CUSTOMER DRAWING | | | |

X-ON Electronics

Largest Supplier of Electrical and Electronic Components

Click to view similar products for [Switch Bezels / Switch Caps](#) category:

Click to view products by [TE Connectivity](#) manufacturer:

Other Similar products are found below :

[896809000](#) [LW1A-B2-R](#) [LW2A-B1-G](#) [704.604.4](#) [704.955.3](#) [F1403](#) [7527](#) [760203000](#) [760503000](#) [766601000](#) [785105000](#) [785106000](#)
[MG12KB](#) [MH11](#) [MH13](#) [MHU31](#) [MJ1216](#) [MJ1226](#) [MJ33](#) [MJ612](#) [MJ626](#) [MJ627](#) [9001T8BK](#) [908-1634](#) [92-343.200](#) [92-343.400](#) [95804.920](#)
[95CAP-011](#) [95CAP-112](#) [11-932.7](#) [99-901.9](#) [99-902.9](#) [99-909.4](#) [99-909.5](#) [99-920.8](#) [A0261A](#) [11-931.2](#) [11-932.5](#) [11-936](#) [AKTSC22B](#)
[AT496H](#) [AW-RF8](#) [161006](#) [1825068-6](#) [184-1872](#) [187-1872](#) [188-1471](#) [18-920.1](#) [1DFBLK](#) [1D-GRY](#)