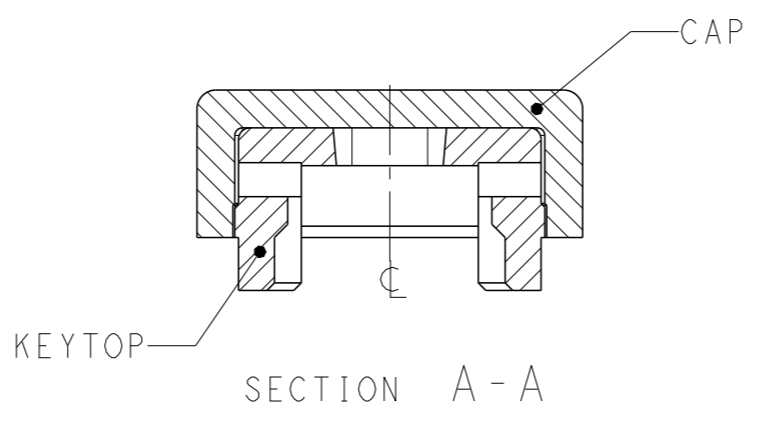
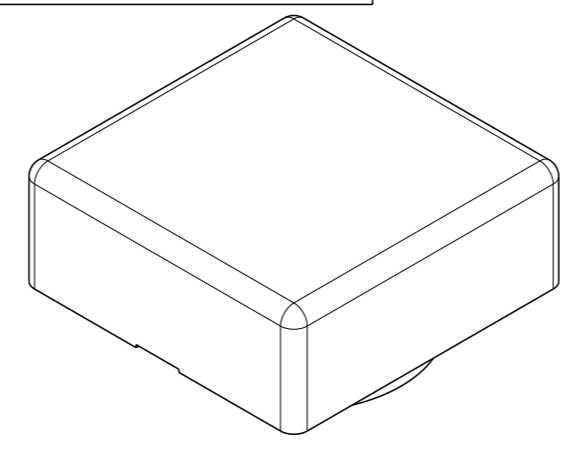
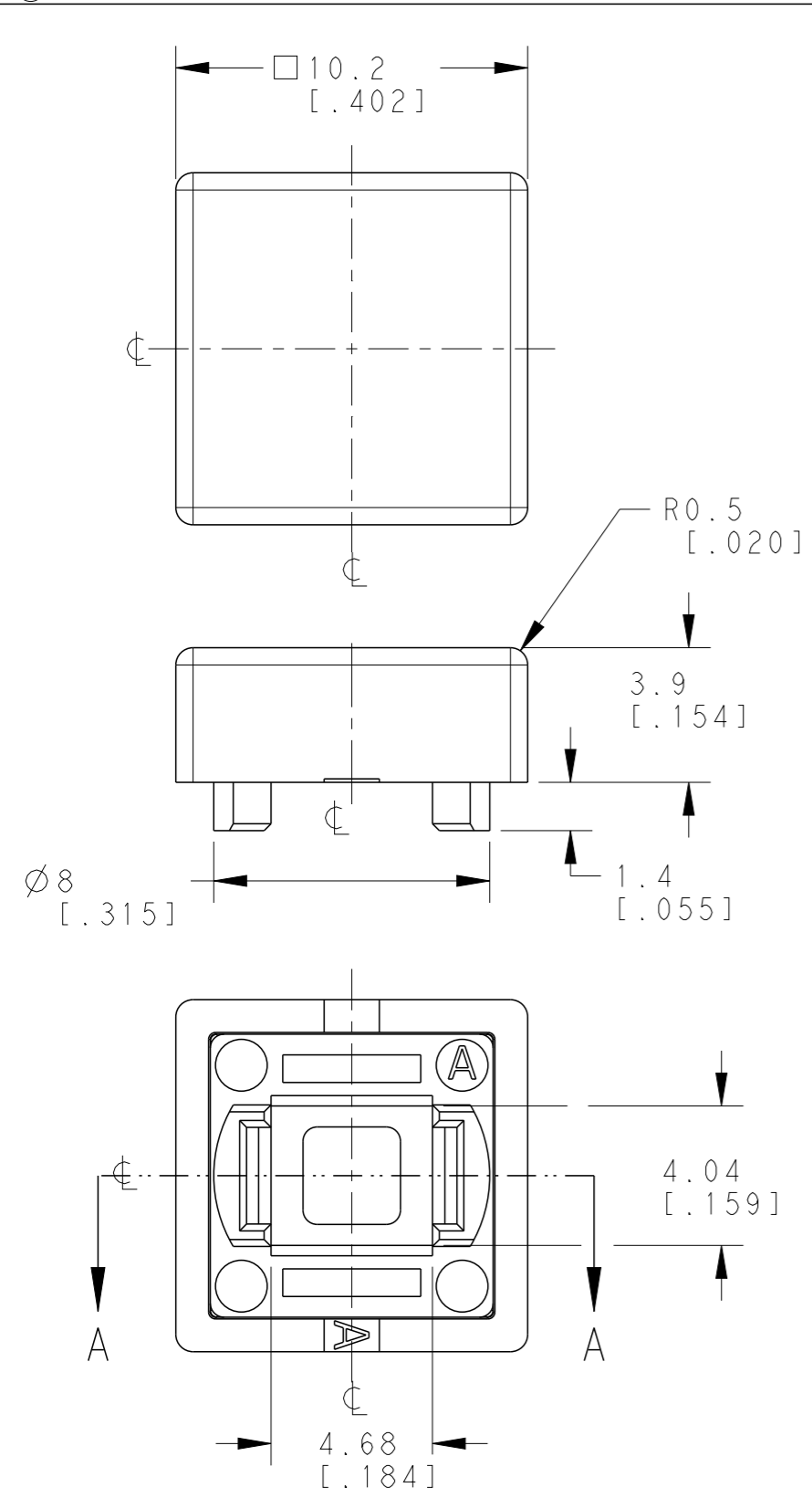


THIS DRAWING IS UNPUBLISHED. RELEASED FOR PUBLICATION 20
 © COPYRIGHT 20 BY - ALL RIGHTS RESERVED.

REVISIONS					
P	LTR	DESCRIPTION	DATE	DWN	APVD
1		INITIAL RELEASE	28OCT2016	RK	SS
A		RELEASED TO PRODUCTION	21DEC2016	RK	SS



SPECIFICATIONS:


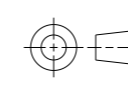
MATERIALS
 CAP : THERMOPLASTIC PC
 KEYTOP : THERMOPLASTIC ABS

ENVIRONMENTAL
 OPERATING TEMPERATURE RANGE : -40°C TO +85°C
 STORAGE TEMPERATURE RANGE : -40°C TO +85°C

NOTE:

1. CAPS ARE BULK PACKED IN PLASTIC BAGS. BAGS TO BE LABELED WITH THE INFORMATION DEFINED IN TEC-107-115. BAGS SHALL BE SHIPPED IN SUITABLE BOXES AS DEFINED IN TEC-107-115.
2. ALL MATERIALS AND FINISHES SHALL COMPLY WITH EU DIRECTIVE 2002/95/EC OF 27JAN2003(ROHS).
3. THESE PARTS ARE DESIGNED FOR USE WITH ILLUMINATED TACTILE SWITCHES TE P/N SERIES 2213818-X AND 2213819-X.
4. CAP SHALL BE INSTALLED AFTER SOLDERING THE ILLUMINATED TACTILE SWITCH TO PCB.

CLEAR	YELLOW	2311403-5
CLEAR	BLUE	2311403-4
CLEAR	RED	2311403-3
CLEAR	BLACK	2311403-2
CLEAR	GREEN	2311403-1
CAP	KEYTOP	TE PART NUMBER
COLOR		

THIS DRAWING IS A CONTROLLED DOCUMENT.		DWN 28OCT2016 RAGHAVENDRA K	 TE Connectivity	
DIMENSIONS: mm[inches]		CHK 28OCT2016 SANJAY S		
TOLERANCES UNLESS OTHERWISE SPECIFIED: GENERAL TOLERANCES ±0.3		APVD 28OCT2016 PETER OTT	NAME CAP FOR ILLUMINATED TACTILE SWITCH	
		PRODUCT SPEC -	APPLICATION SPEC -	
MATERIAL SEE NOTE		FINISH -	WEIGHT -	SIZE A3
-		FINISH -	WEIGHT -	CAGE CODE 00779
-		FINISH -	WEIGHT -	DRAWING NO C-2311403
-		FINISH -	WEIGHT -	RESTRICTED TO -
-		FINISH -	WEIGHT -	SCALE 5:1 SHEET 1 OF 1 REV A
-		FINISH -	WEIGHT -	CUSTOMER DRAWING

X-ON Electronics

Largest Supplier of Electrical and Electronic Components

Click to view similar products for [Switch Bezels / Switch Caps](#) category:

Click to view products by [TE Connectivity](#) manufacturer:

Other Similar products are found below :

[896809000](#) [LW1A-B2-R](#) [LW2A-B1-G](#) [704.604.4](#) [704.955.3](#) [F1403](#) [7527](#) [760203000](#) [760503000](#) [766601000](#) [785105000](#) [785106000](#)
[MG12KB](#) [MH11](#) [MH13](#) [MHU31](#) [MJ1216](#) [MJ1226](#) [MJ33](#) [MJ612](#) [MJ626](#) [MJ627](#) [9001T8BK](#) [908-1634](#) [92-343.200](#) [92-343.400](#) [95804.920](#)
[95CAP-011](#) [95CAP-112](#) [11-932.7](#) [99-901.9](#) [99-902.9](#) [99-909.4](#) [99-909.5](#) [99-920.8](#) [A0261A](#) [11-931.2](#) [11-932.5](#) [11-936](#) [AKTSC22B](#)
[AT496H](#) [AW-RF8](#) [161006](#) [1825068-6](#) [184-1872](#) [187-1872](#) [188-1471](#) [18-920.1](#) [1DFBLK](#) [1D-GRY](#)