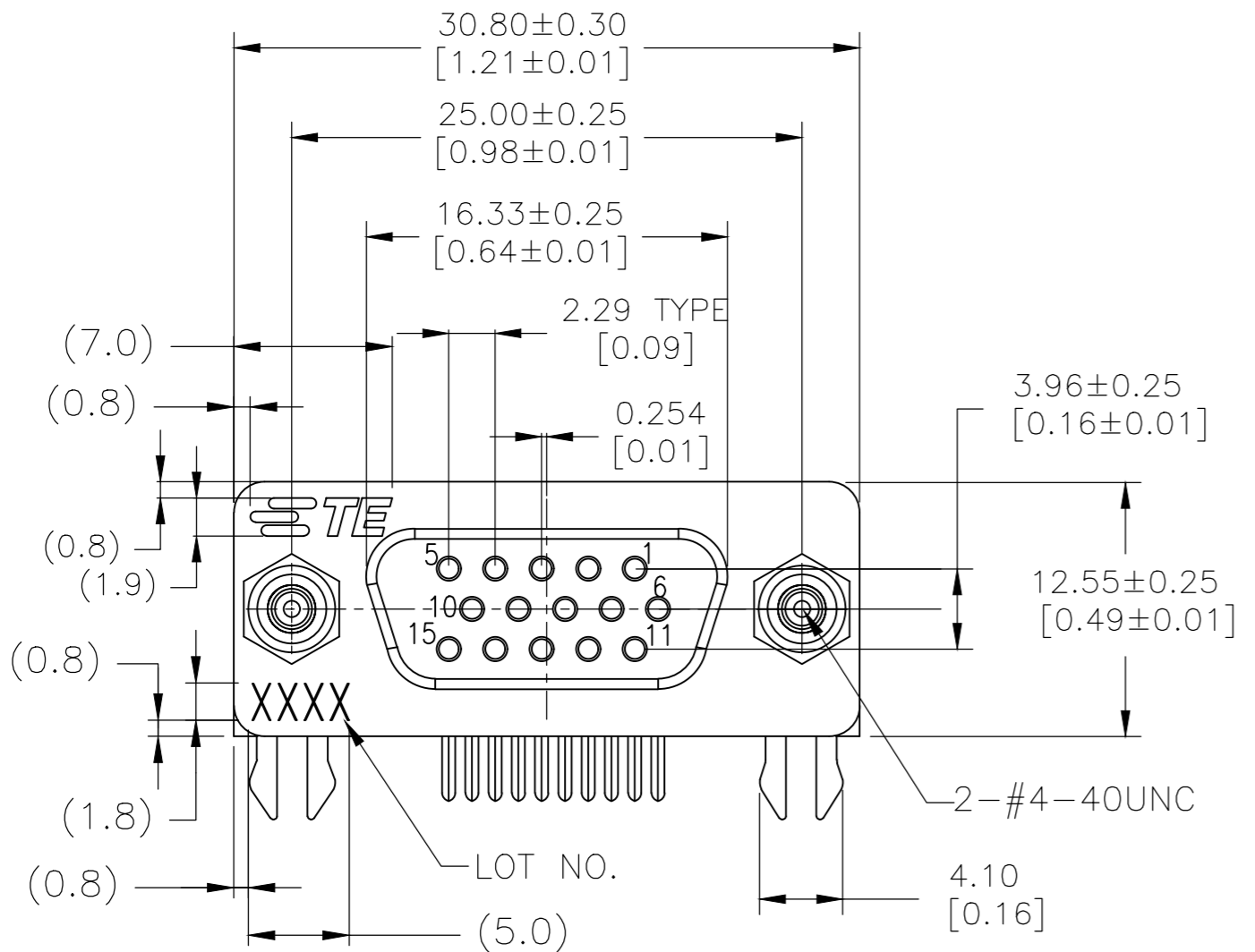
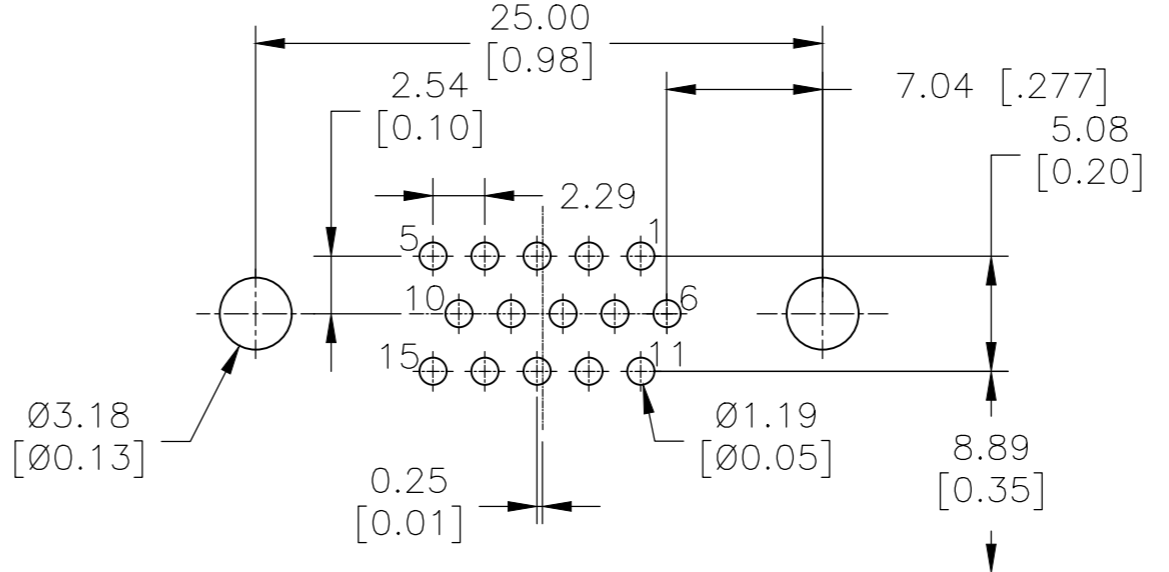


THIS DRAWING IS UNPUBLISHED. RELEASED FOR PUBLICATION
 © COPYRIGHT - TE Connectivity ALL RIGHTS RESERVED.

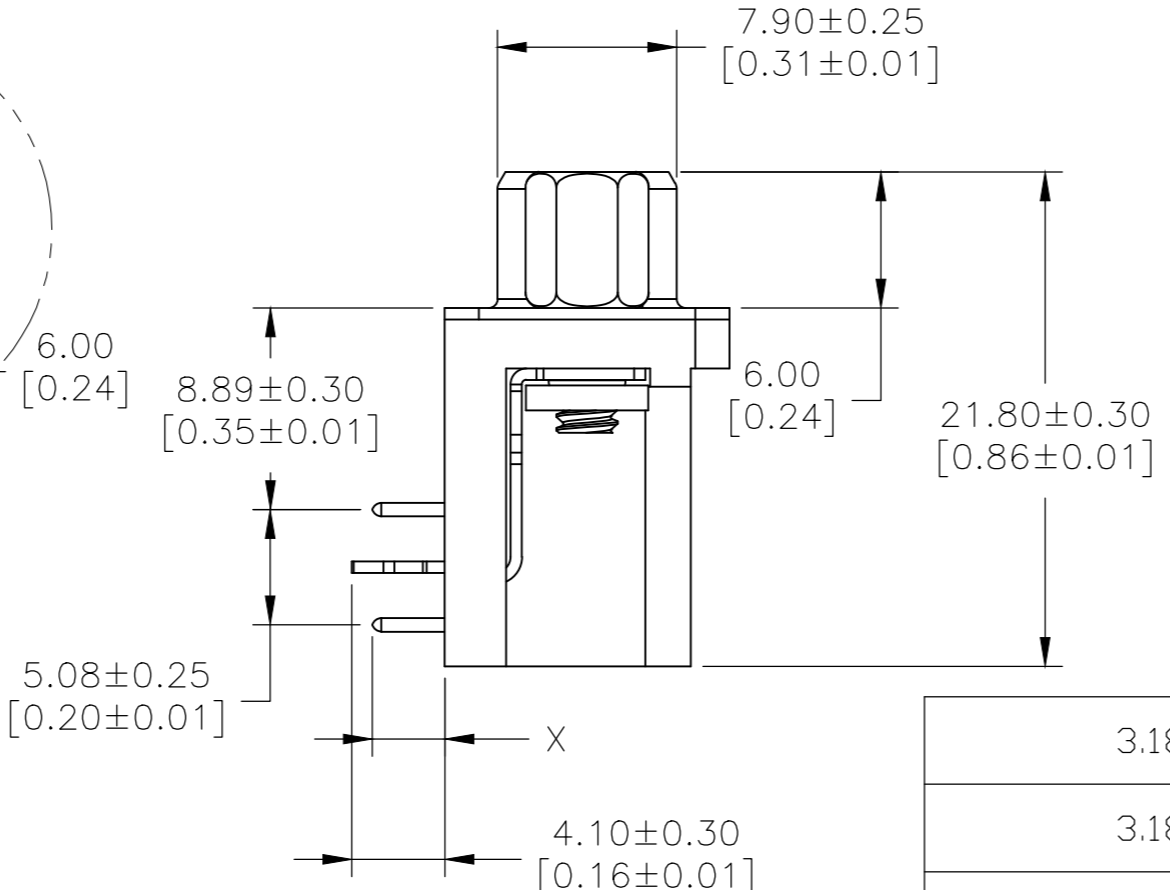
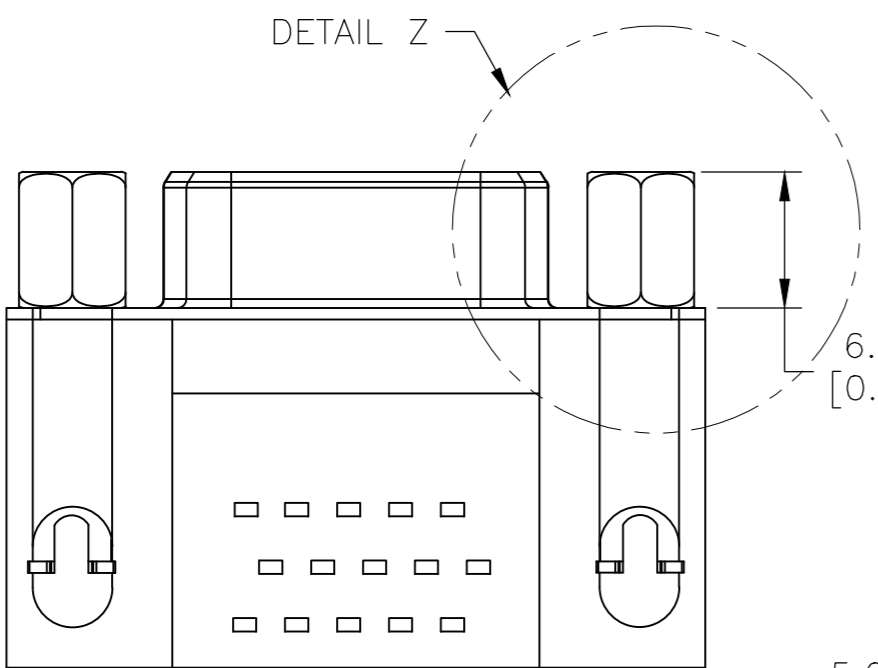
| REVISIONS | | | | |
|-----------|-----|---------------------------|-----------|-------|
| P | LTR | DESCRIPTION | DATE | APVD |
| D | | REVISED PER ECO-18-008015 | 24MAY2018 | AP DG |



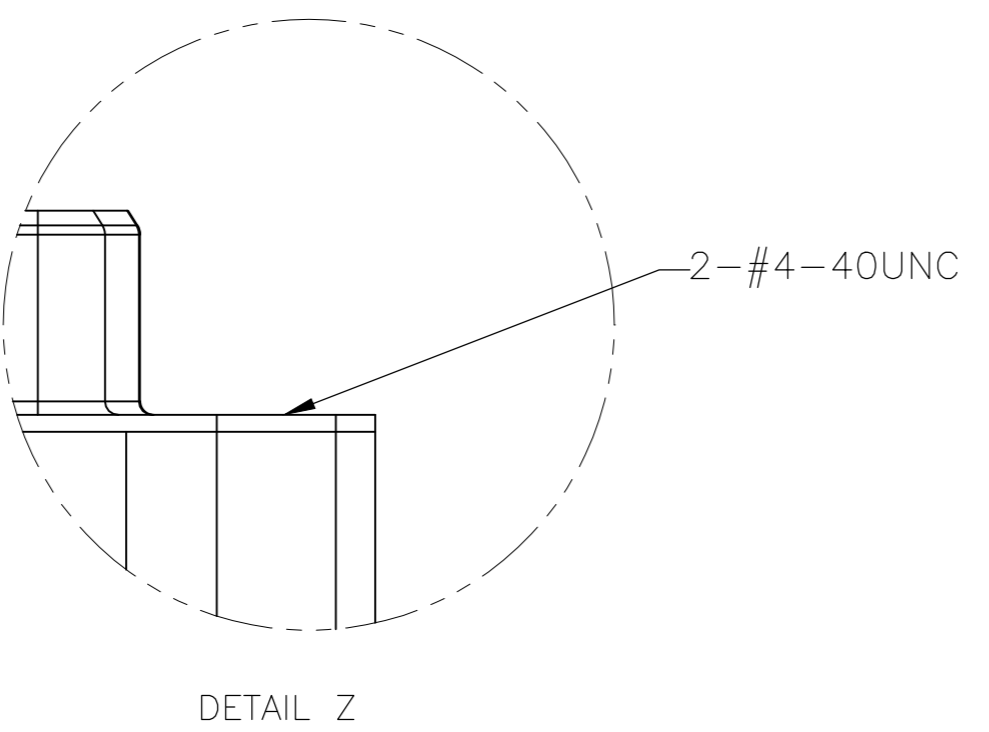
RECOMMENDED P.C.B LAYOUT(TOP SIDE)
 (PCB BOARD TOLERANCE±0.05)



NOTES:
 INSULATOR:PA9T+G.F UL94V-0
 CONTACT:PHOSPHOR BRONZE
 " GOLD PLATING ON CONTACT AREA
 100u" MATTE TIN PLATING ON SOLDERTAIL
 50u" NICKEL UNDERPLATED OVERALL
 HOLDDOWN:BRASS,100u" TIN OVER 50u" NICKEL
 SHEEL:SPCC,50u" NICKEL PLATING OVERALL
 RIVET:BRASS,NICKEL PLATING OVERALL
 SCREWLOCK:BRASS,NI PLATED



LOT NUMBER "XXXX"
 STANDS FOR CALENDAR YEAR
 STANDS FOR WEEK NUMBER



| | | | | |
|--------------------|---------------|-----------------|----------------------|-----------|
| 3.18 [0.13] | 300U BLUE | NO SEE DETAIL Z | 30µ" Au | 2311586-5 |
| 3.18 [0.13] | 300U BLUE | NO SEE DETAIL Z | Au Flash | 2311586-4 |
| 2.7 [0.11] | BLACK | YES | 15µ" Au | 2311586-3 |
| 2.7 [0.11] | 661C BLUE | YES | Au Flash | 2311586-2 |
| 3.18 [0.13] | 300U BLUE | YES | Au Flash | 2311586-1 |
| X ± 0.38 [± 0.015] | HOUSING COLOR | SCREWLOCK | Contact Area Plating | P/N |

THIS DRAWING IS A CONTROLLED DOCUMENT.

| | | | |
|------------------|---------------|-----------|--|
| DWN | AJITH PAI | 20FEB2017 | TE Connectivity |
| CHK | DANIEL GORENC | 20FEB2017 | |
| APVD | DANIEL GORENC | 20FEB2017 | |
| PRODUCT SPEC | 108-130023 | | |
| APPLICATION SPEC | | | NAME |
| MATERIAL | | | AMPLIMITE RECEPTACLE, HD22, RIGHT ANGLE, 15P |
| FINISH | | | SIZE |
| | | | A2 |
| | | | CAGE CODE |
| | | | 00779 |
| | | | DRAWING NO |
| | | | C=2311586 |
| | | | RESTRICTED TO |
| | | | - |
| | | | SCALE |
| | | | 3:1 |
| | | | SHEET |
| | | | 1 OF 1 |
| | | | REV |
| | | | D |

CUSTOMER DRAWING

X-ON Electronics

Largest Supplier of Electrical and Electronic Components

Click to view similar products for [D-Sub High Density Connectors](#) category:

Click to view products by [TE Connectivity](#) manufacturer:

Other Similar products are found below :

[97-3250-11](#) [163A16809X](#) [163A17089X](#) [164A17199X](#) [242A25680X](#) [L717HDB44POL2R210](#) [L717HDEH15POL2](#) [L777HDE15P](#)
[L77HDE15SC309](#) [163A16759X](#) [163A16839X](#) [163A16989X](#) [163A17079X](#) [164A17329X](#) [164A18219X](#) [241A16440X](#) [241A16550X](#)
[241A16680X](#) [241A20810X](#) [241A25740X](#) [CT25-44P](#) [MDBE15PE766](#) [L177HDE15SOL2RM23](#) [L177HRC62S](#) [L177HRC62SVFM](#)
[L177HRCG62S](#) [L717HDEG15POL2RM5](#) [L77HDA26SVF](#) [L77HDE15SD1CO](#) [L77HDEH15SOL2RM832](#) [443895-3](#) [106698-1](#) [280-012K2C](#)
[L177HRB44S](#) [164A17039X](#) [09562004701510](#) [164A17969X](#) [L777HRC62P](#) [241A17960X](#) [164A18269X](#) [280-019S1S9MEN](#) [L777HDEG15P](#)
[280-018P3S25MEGN](#) [206504-2](#) [40-9515HDSP](#) [2057140-1](#) [C115370-6002](#) [DFMA104SNMBFR172FR022](#) [HDC9F200E2S](#)
[L717HDAG26POL2RM8](#)