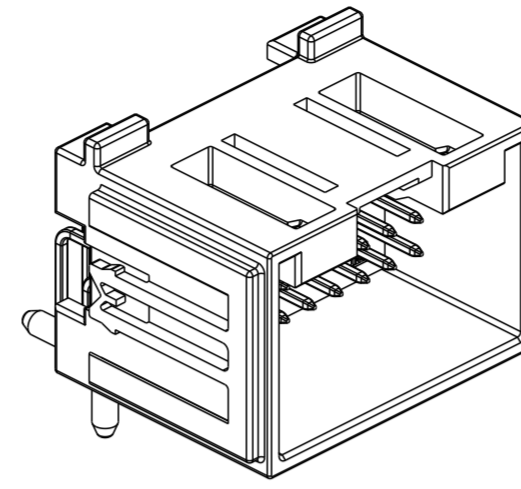
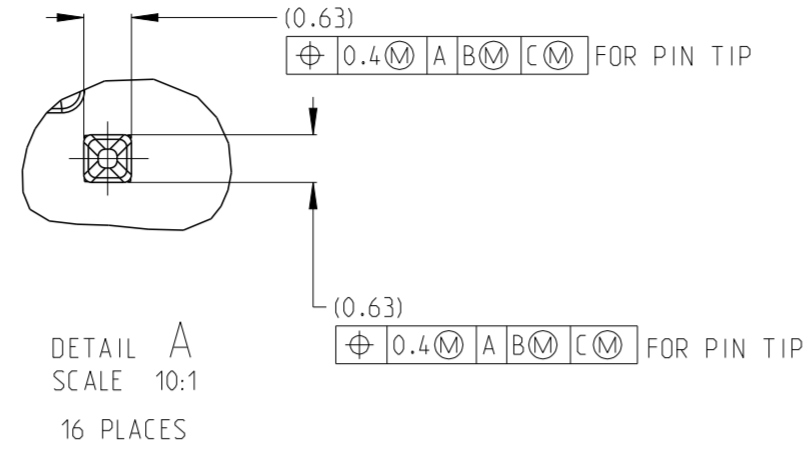
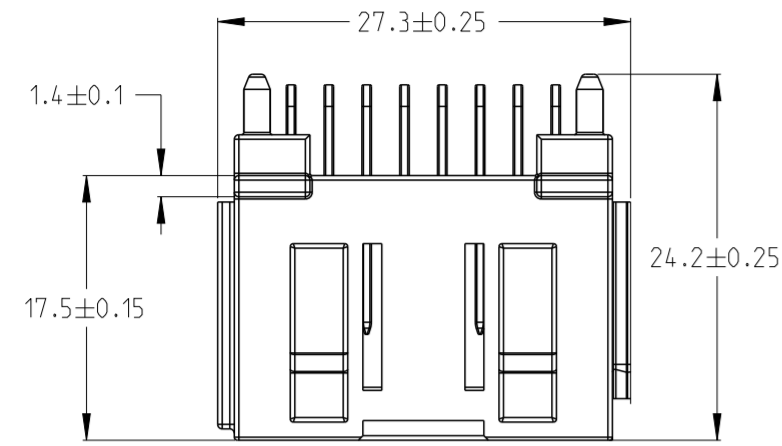


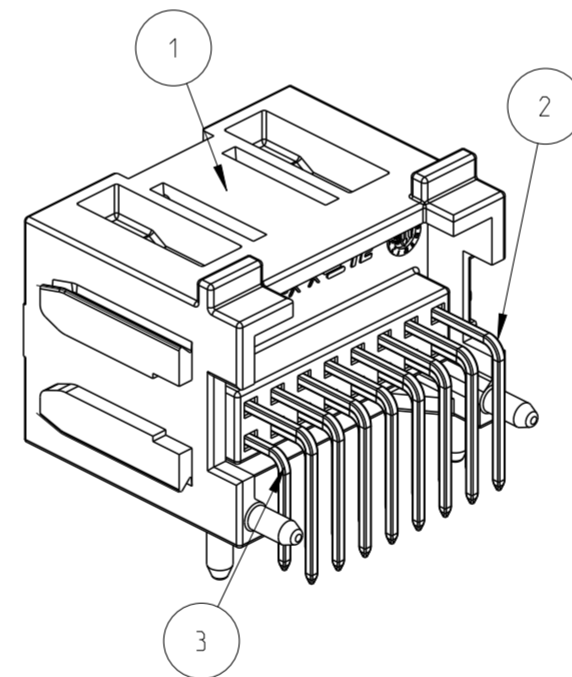
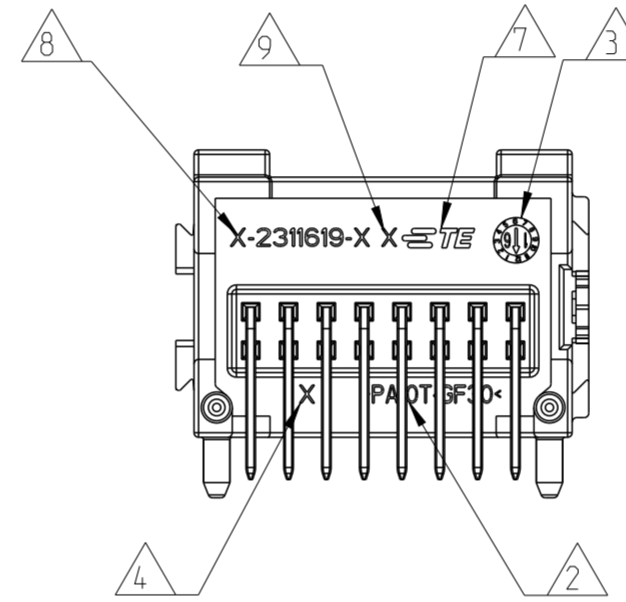
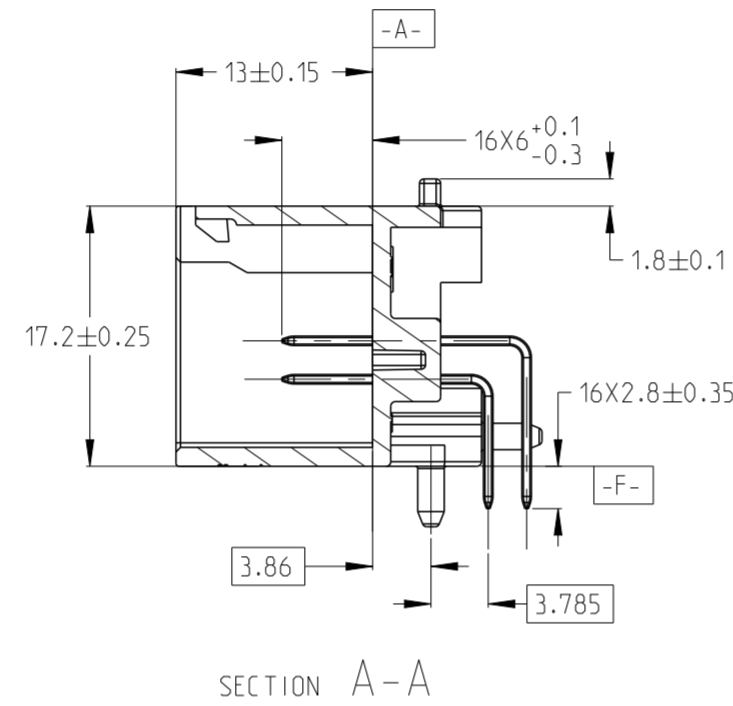
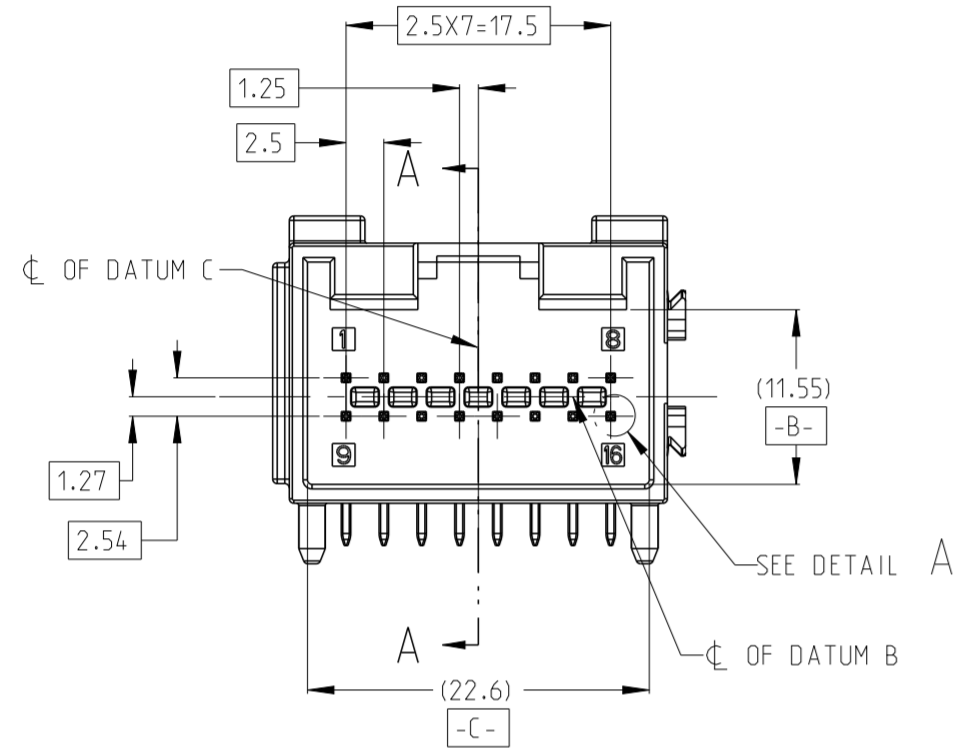
THIS DRAWING IS UNPUBLISHED. RELEASED FOR PUBLICATION 20
 © COPYRIGHT 20 BY - ALL RIGHTS RESERVED.

REVISIONS				
P	LTR	DESCRIPTION	DATE	APVD
B		ECR-17-01572	05JUL17	K.W
B1		ECR-17-016790	17NOV17	K.W
B2		ECR-18-008704	13JUL18	K.W
B3		ECR-18-012473	08AUG18	K.W

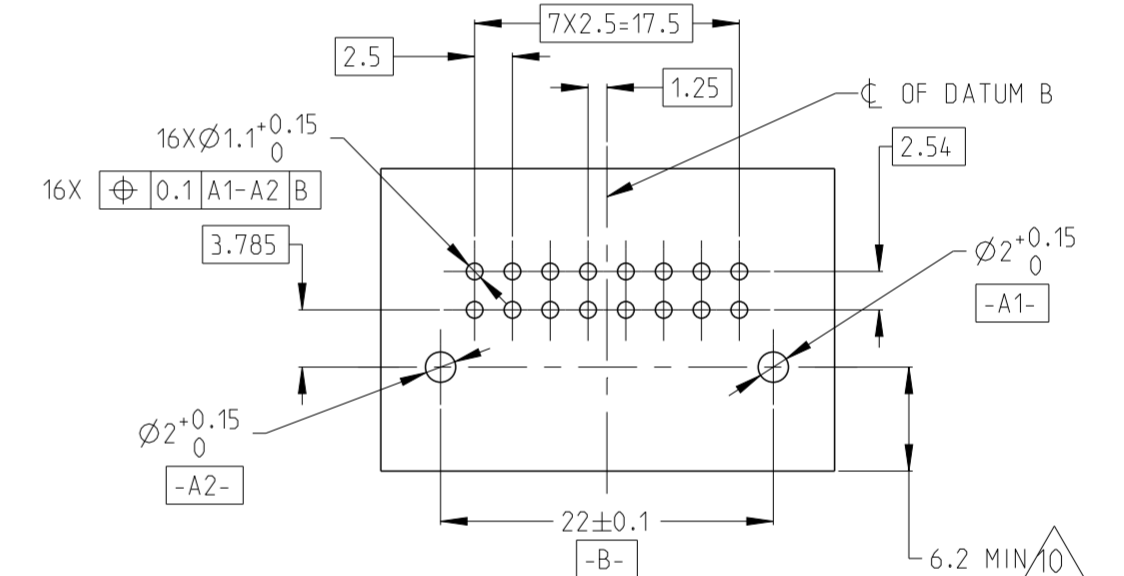
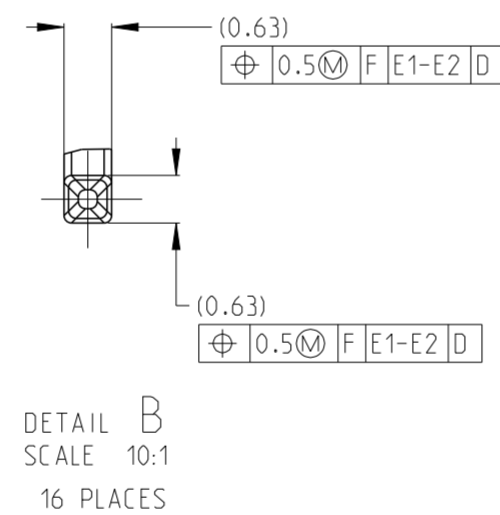
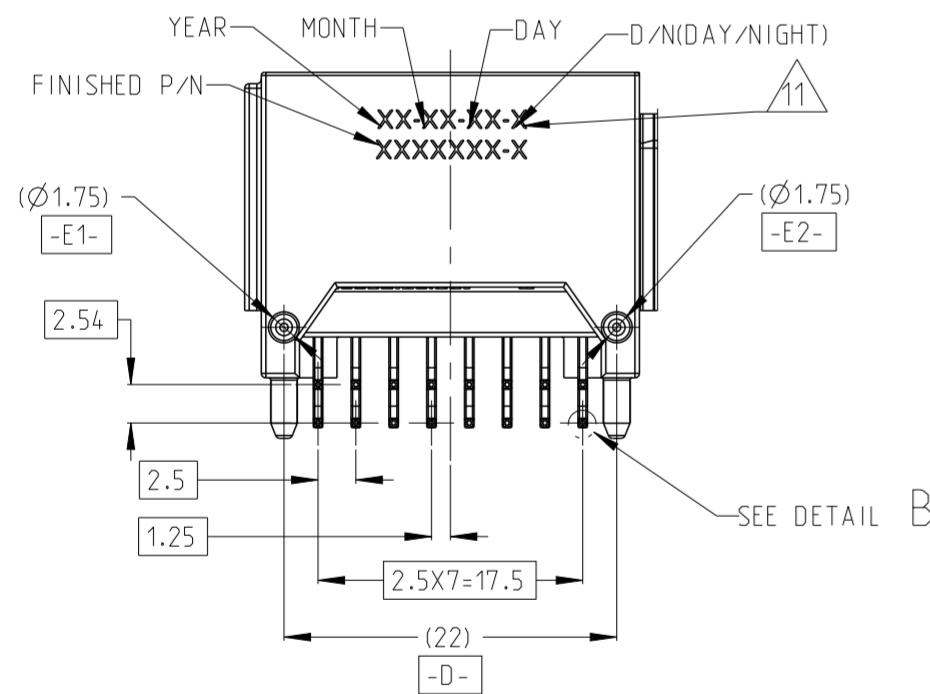


ISOMETRIC VIEW
SCALE 2:1

- 1 PLASTIC MATERIAL: PA10T OR SPS
SQ PIN MATERIAL: CuZn30
PLATING SPEC: TIN OVER NICKEL
- 2 MATERIAL MARKING
- 3 PLASTIC HOUSING PRODUCTION MONTH CLOCK
- 4 TOOL CAVITY MARKING 1.2.3.4...
- 5. PRODUCT OPERATION TEMPERATURE RANGE:-40°C~105°C
- 6. SUITABLE MATING CONNECTOR: 2301695
- 7 TE-LOGO
- 8 TE SEMIFINISHED PART NUMBER
- 9 TE SEMIFINISHED PART REVISION
- 10 PRODUCT STABILIZATION FOR SOLDERING PROCESS
- 11 PRODUCT ASSEMBLY DATA INFORMATION



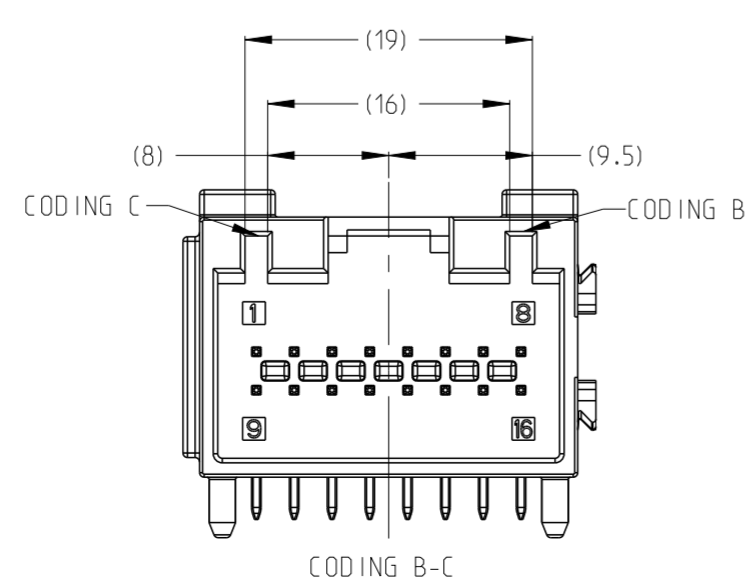
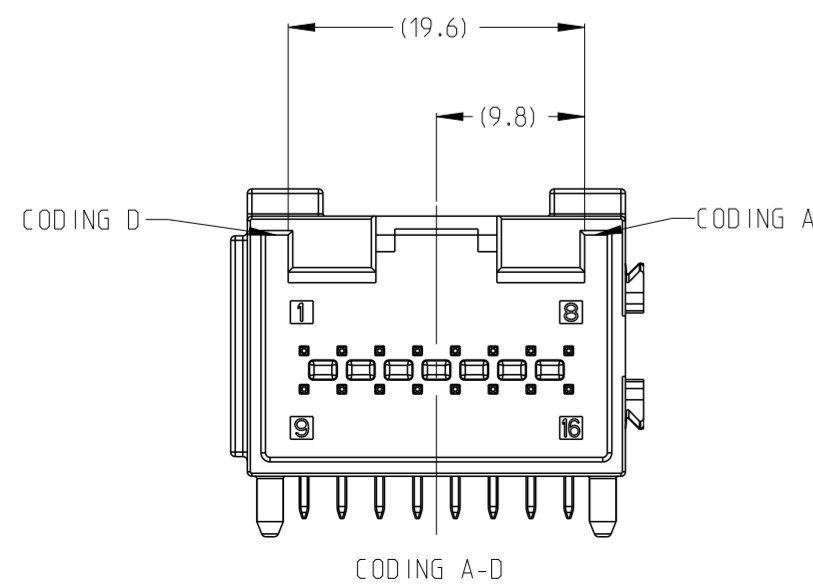
SCALE 2:1
ISOMETRIC VIEW



RECOMMENDED PCB LAY-OUT
THICKNESS 1.6±0.14mm

TE P/N	CODING	TRAY	CARTON	QTY	DESCRIPTION	MATERIAL	COLOR/FINISH	ITEM NO
2311622-5	A-D	DIM 340*210*29mm	DIM 417*346*220mm	8	0.63 SQ PIN	CuZn30	Sn OVER Ni	3
				8	0.63 SQ PIN	CuZn30	Sn OVER Ni	2
2311622-4	B-D	DIM 375*275*31mm	DIM 380*280*185mm	1	16 WAY HOUSING	PA10T OR SPS	BLACK	1
				8	0.63 SQ PIN	CuZn30	Sn OVER Ni	3
2311622-3	A-C	DIM 375*275*31mm	DIM 380*280*185mm	8	0.63 SQ PIN	CuZn30	Sn OVER Ni	2
				1	16 WAY HOUSING	PA10T OR SPS	GREEN	1
2311622-2	B-C	DIM 375*275*31mm	DIM 380*280*185mm	8	0.63 SQ PIN	CuZn30	Sn OVER Ni	3
				8	0.63 SQ PIN	CuZn30	Sn OVER Ni	2
2311622-1	A-D	DIM 375*275*31mm	DIM 380*280*185mm	1	16 WAY HOUSING	PA10T OR SPS	BROWN	1
				8	0.63 SQ PIN	CuZn30	Sn OVER Ni	3
				8	0.63 SQ PIN	CuZn30	Sn OVER Ni	2
				1	16 WAY HOUSING	PA10T OR SPS	BLACK	1

16 WAY CODINGS



THIS DRAWING IS A CONTROLLED DOCUMENT.

DWN: K.WEI 14DEC2016
 CHK: E.JIANG 04JAN2017
 APVD: J.YIN 23JAN2017

TE Connectivity

NAME: 16 WAY MDS PIN HEADER

PRODUCT SPEC: 108-101528
 APPLICATION SPEC: 114-101065

MATERIAL: 1

SIZE: A2 CAGE CODE: - DRAWING NO: C-2311622 RESTRICTED TO: -

CUSTOMER DRAWING SCALE: 2:1 SHEET: 1 OF 1 REV: B3

X-ON Electronics

Largest Supplier of Electrical and Electronic Components

Click to view similar products for [Headers & Wire Housings](#) category:

Click to view products by [TE Connectivity](#) manufacturer:

Other Similar products are found below :

[57102-F02-18ULF](#) [58102-G61-06LF](#) [582553-1](#) [009176003701906](#) [01.001.5753.1](#) [0050291907](#) [02.125.8002.8](#) [609-3404](#) [61062-3](#)
[CSU011177004](#) [622-0430](#) [622-3653LF](#) [63453-116](#) [636-1030](#) [636-1427](#) [636-3427](#) [636-4007](#) [641938-9](#) [65495-038](#) [65692-001LF](#) [65781-018](#)
[65781-047](#) [65817-010LF](#) [65817-015LF](#) [66207-023LF](#) [67095-007LF](#) [67601157](#) [68631-112](#) [68645-018](#) [699319-000](#) [70.362.1628.0](#) [70-4210](#)
[70-4226B](#) [70-4853B](#) [707-5020](#) [707-5028](#) [71.350.2428.0](#) [71961-016LF](#) [733-134](#) [733-162](#) [754199-000](#) [760-3052](#) [800-90-001-10-001000](#)
[801-43-002-10-013000](#) [801-43-006-10-002000](#) [803-41-018-10-001000](#) [803-43-024-10-001000](#) [803-93-012-10-001000](#) [8-1437020-4](#)
[819-22-004-30-001101](#)