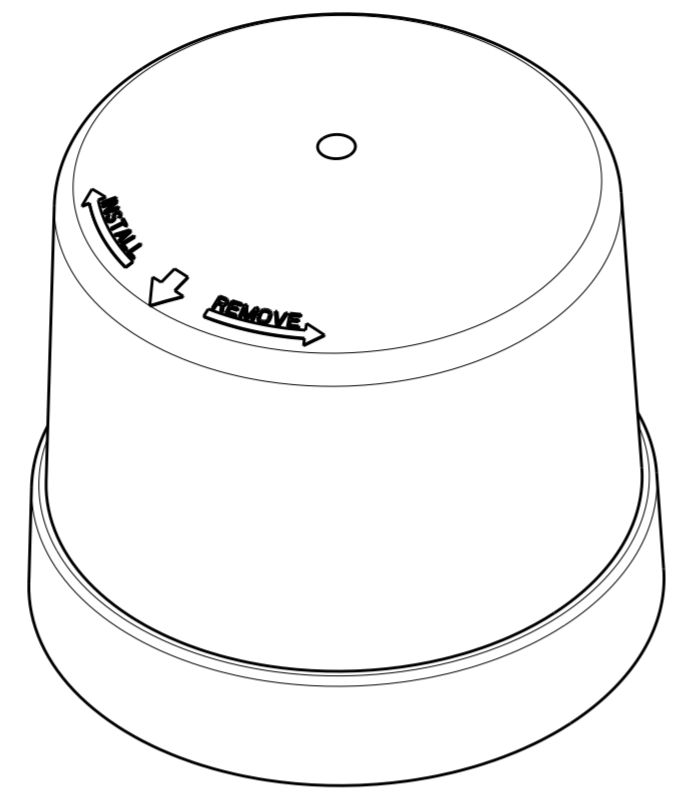
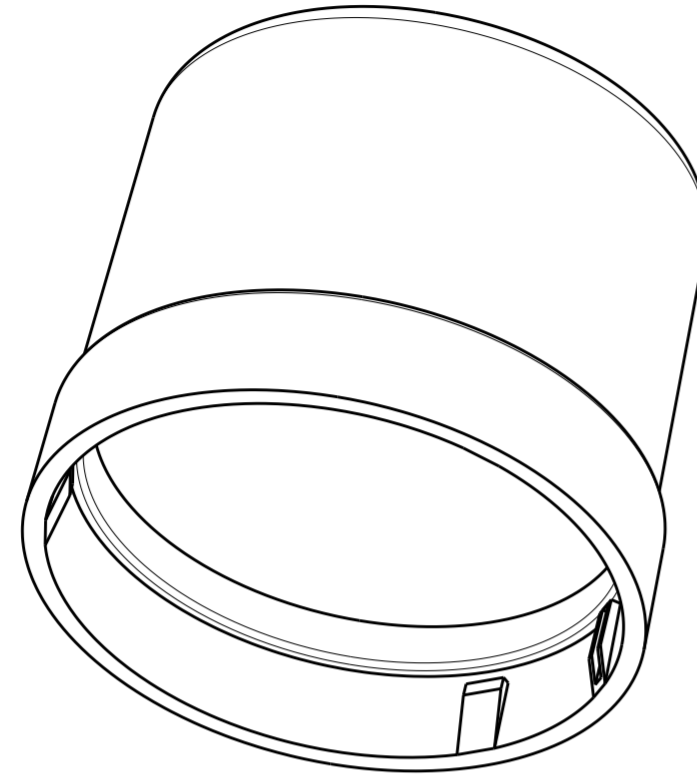
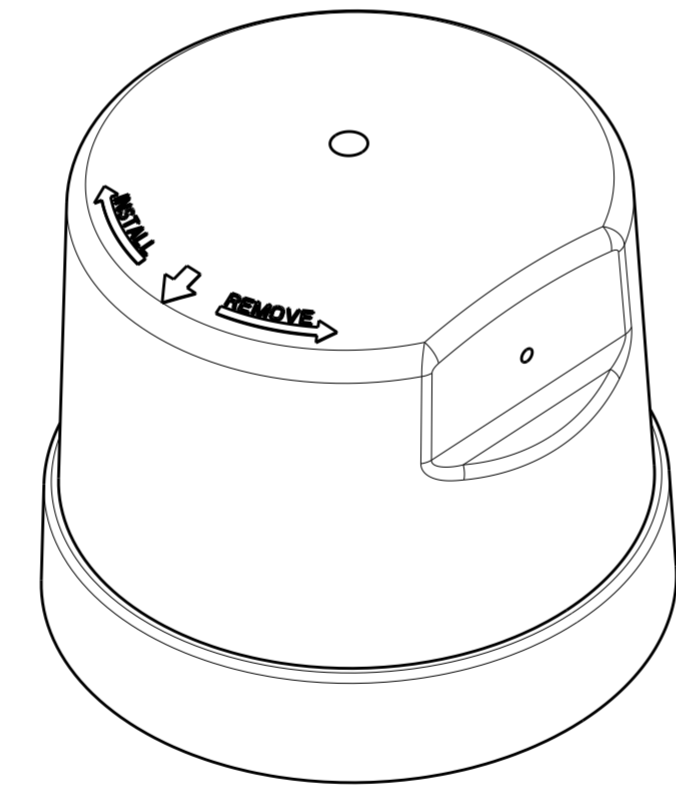
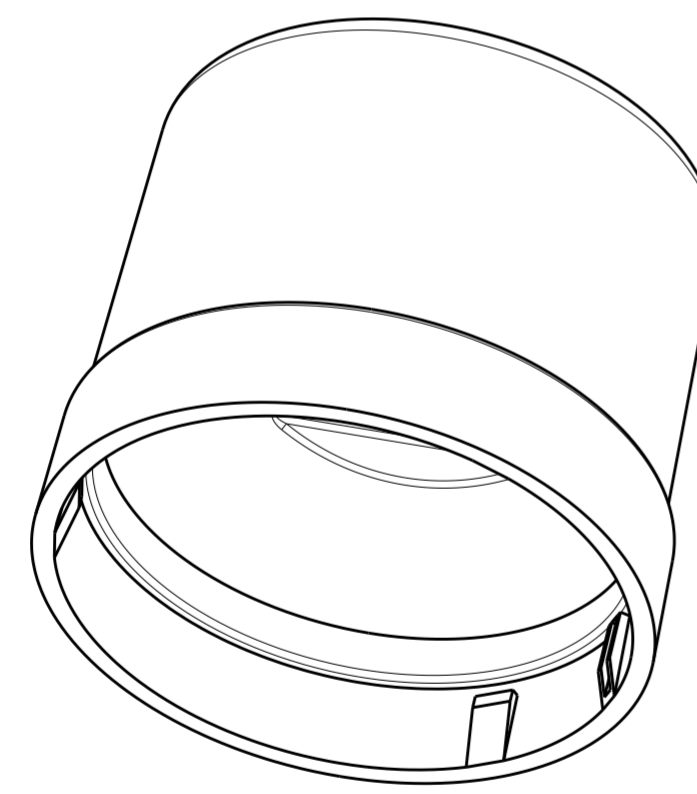


THIS DRAWING IS UNPUBLISHED. RELEASED FOR PUBLICATION 20
 © COPYRIGHT 20 BY - ALL RIGHTS RESERVED.

REVISIONS				
P	LTR	DESCRIPTION	DATE	APVD
A1		REVISED PER ECR-18-010124	02JUL2018	SR DD
B		REVISED PER ECR-19-002385	22APR2019	SR DD
B1		REVISED PER ECR-19-006849	01MAY2019	JS DD
B2		REVISED PER ECR-19-016909	04NOV2019	SB DD



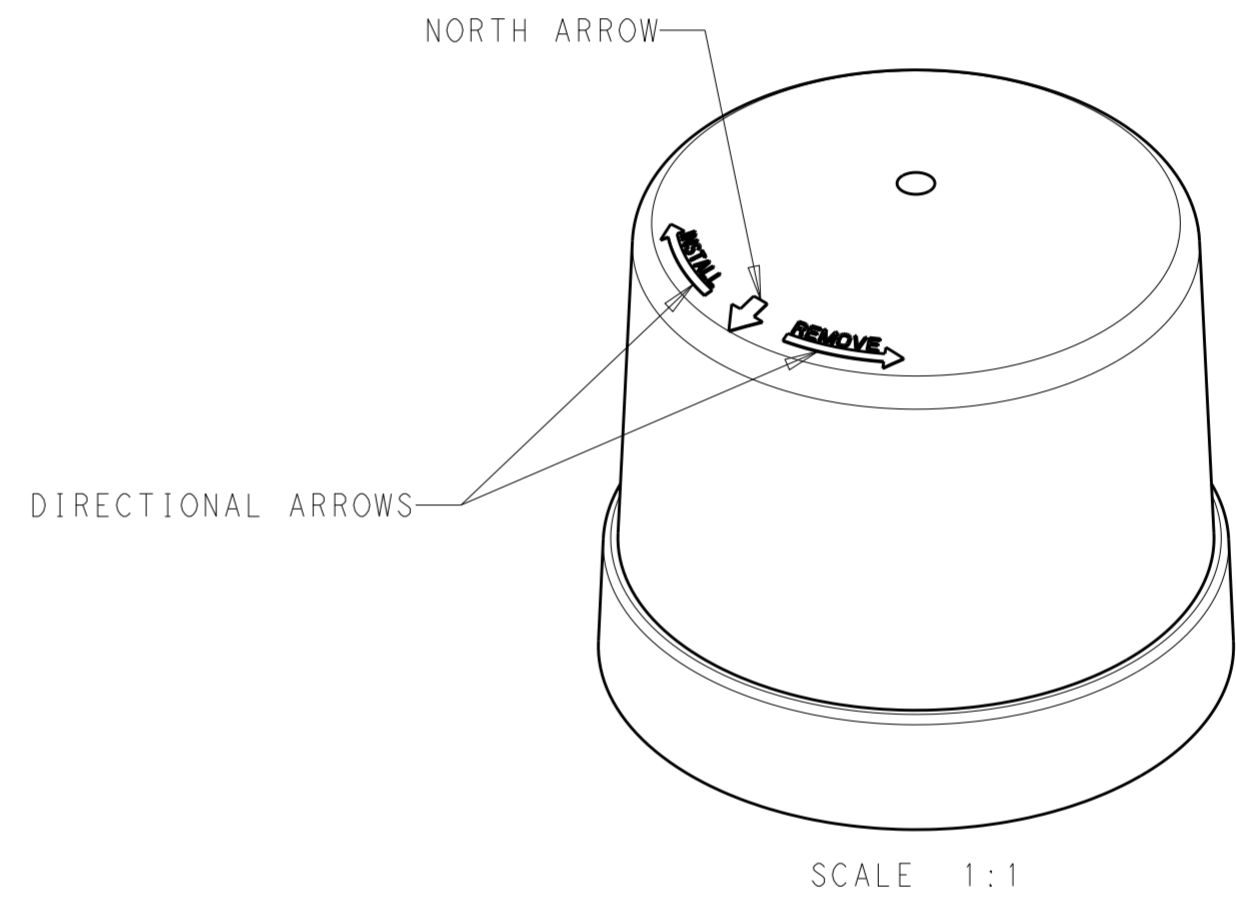
2311664-1, 2311664-2 AND 1-2311664-1



~~2-2311664-1 AND 3-2311664-1~~

NOTES:

- ⚠ MATERIALS:
HOUSING: POLYCARBONATE, UV 5VA RATED
COLOR: SEE TABLE
- ⚠ MATING BASE TE P/N: 2213730-X



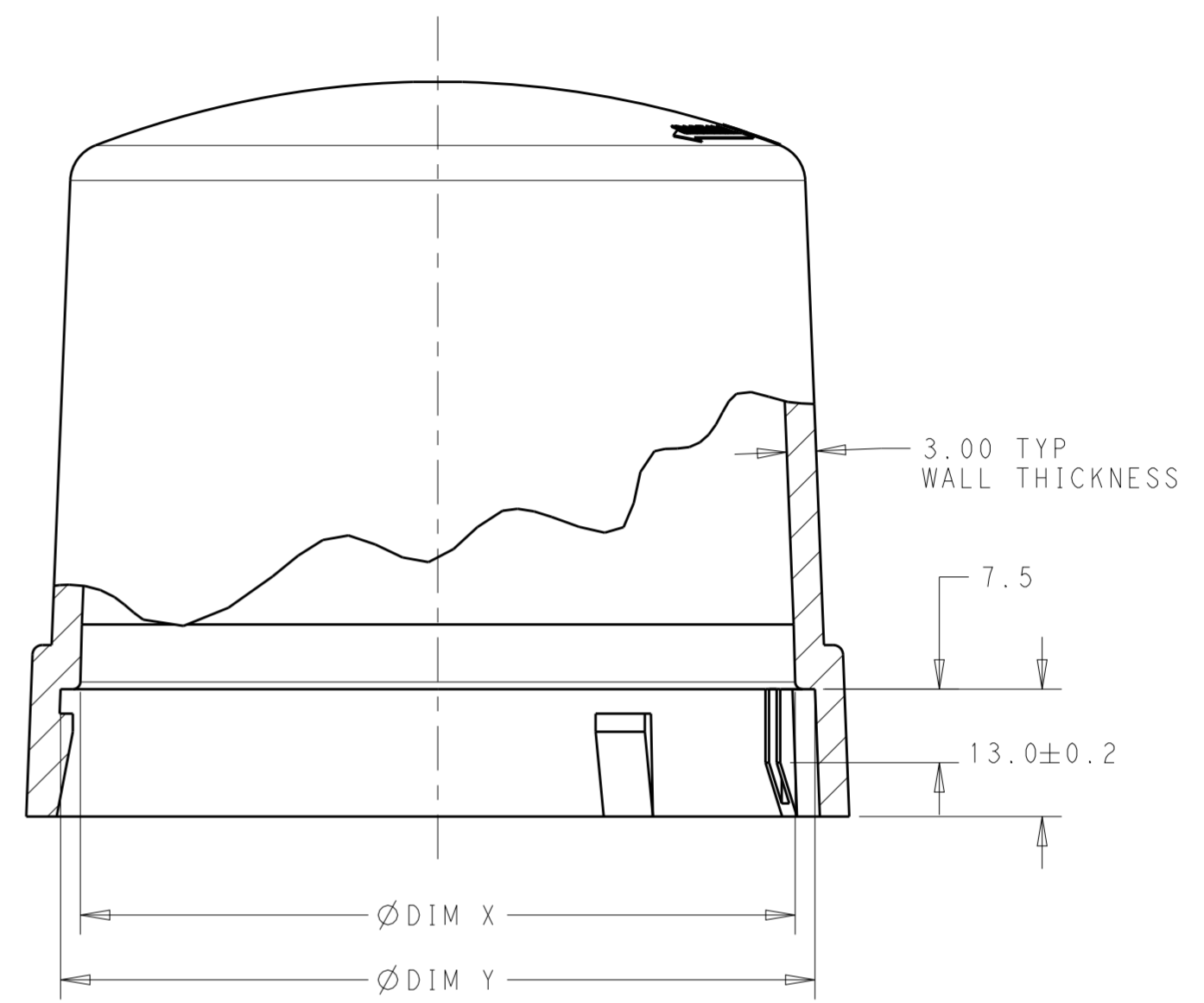
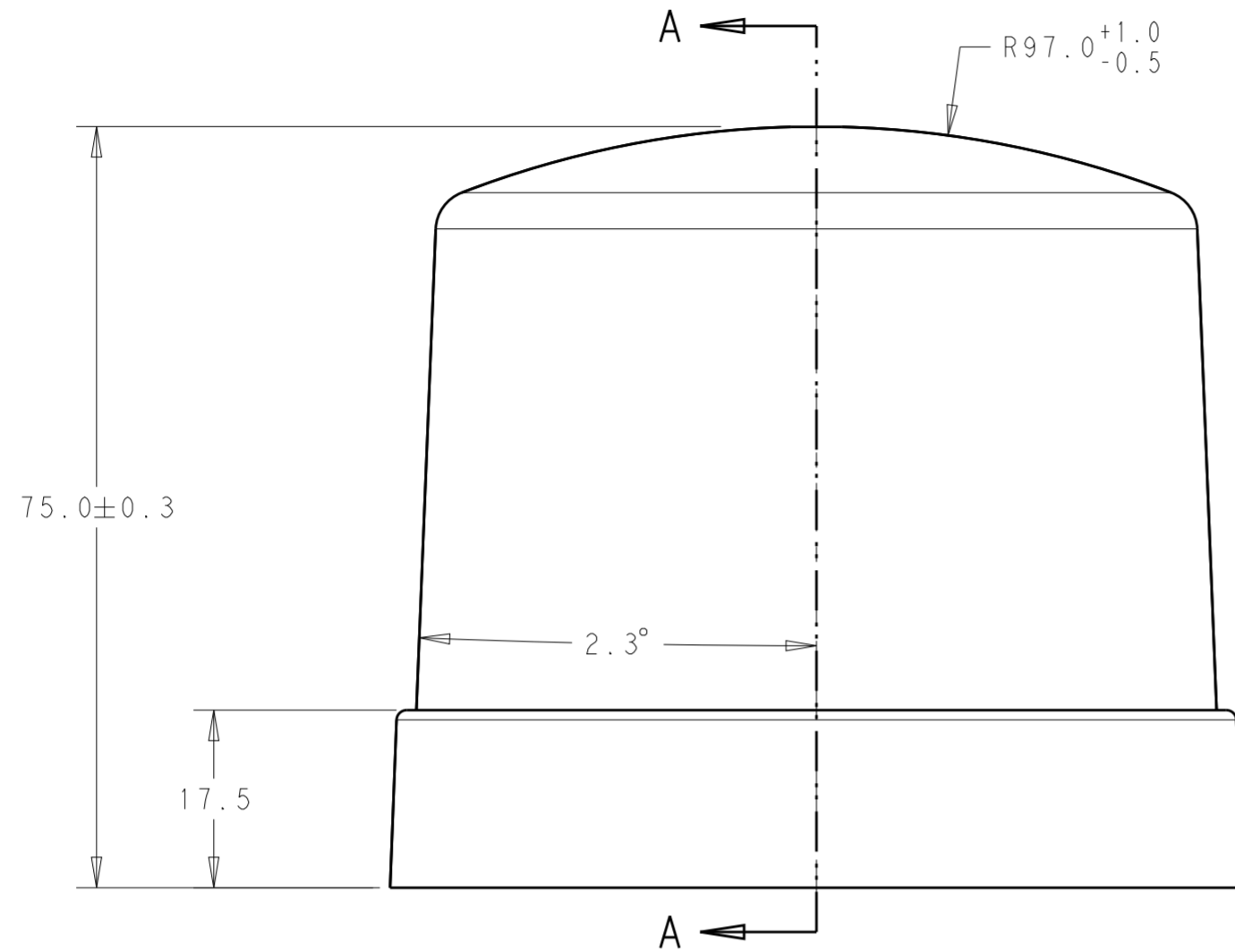
APPROX LIGHT TRANSMISSION	COLOR	DIM Y	DIM X	PART NO.
78%	TRANSPARENT CLEAR	Ø77.0	Ø73.0	5-2311664-1
24%	TRANSPARENT SMOKE	Ø77.0	Ø73.0	4-2311664-1
78%	TRANSPARENT CLEAR	Ø77.0	Ø73.0	3-2311664-1
24%	TRANSLUCENT SMOKE	Ø77.0	Ø73.0	2-2311664-1
78%	TRANSPARENT CLEAR	Ø77.0	Ø73.0	1-2311664-1
26%	TRANSLUCENT GRAY	Ø77.0	Ø73.0	2311664-2
24%	TRANSLUCENT SMOKE	Ø77.0	Ø73.0	2311664-1

OBSOLETE

THIS DRAWING IS A CONTROLLED DOCUMENT.		DWN C. DAILY 31OCT2016	TE Connectivity	
		CHK E. HOWARD 31OCT2016		
DIMENSIONS: mm 		TOLERANCES UNLESS OTHERWISE SPECIFIED: 0 PLC ± 1 PLC ±0.3 2 PLC ±0.25 3 PLC ± 4 PLC ± ANGLES ±3° FINISH		NAME COVER, LIGHT CONTROLLER 76mm DIA, 75mm TALL
MATERIAL		APVD	SIZE	RESTRICTED TO
		PRODUCT SPEC	A2	
		APPLICATION SPEC	CAGE CODE	
		WEIGHT	DRAWING NO	
		CUSTOMER DRAWING	C-2311664	
		SCALE	SHEET	REV
		3:2	1 OF 4	B2

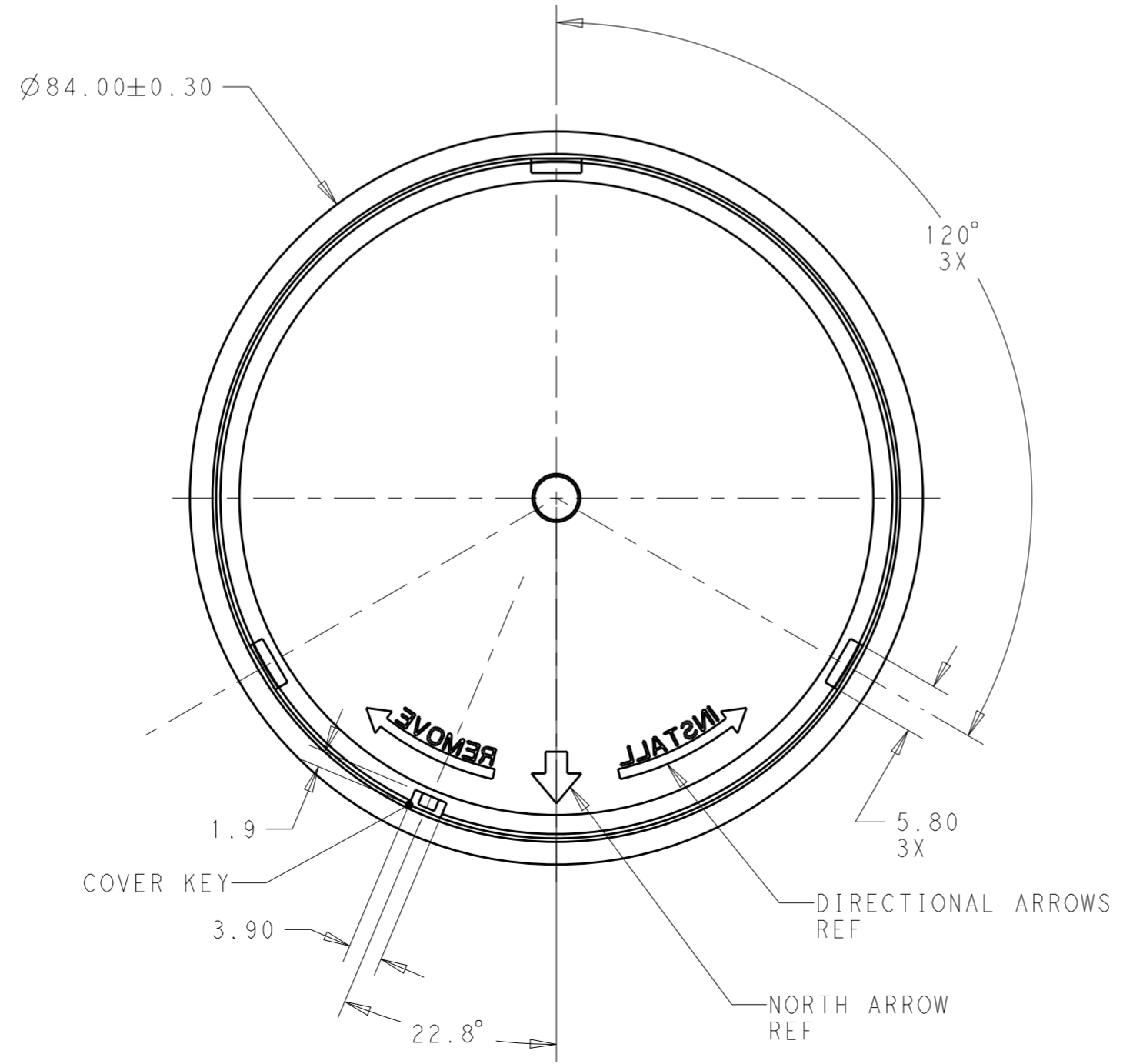
THIS DRAWING IS UNPUBLISHED. RELEASED FOR PUBLICATION 20
 © COPYRIGHT 20 BY - ALL RIGHTS RESERVED.

REVISIONS				
P	LTR	DESCRIPTION	DATE	APVD
-	-	SEE SHEET 1	-	-



SECTION A-A

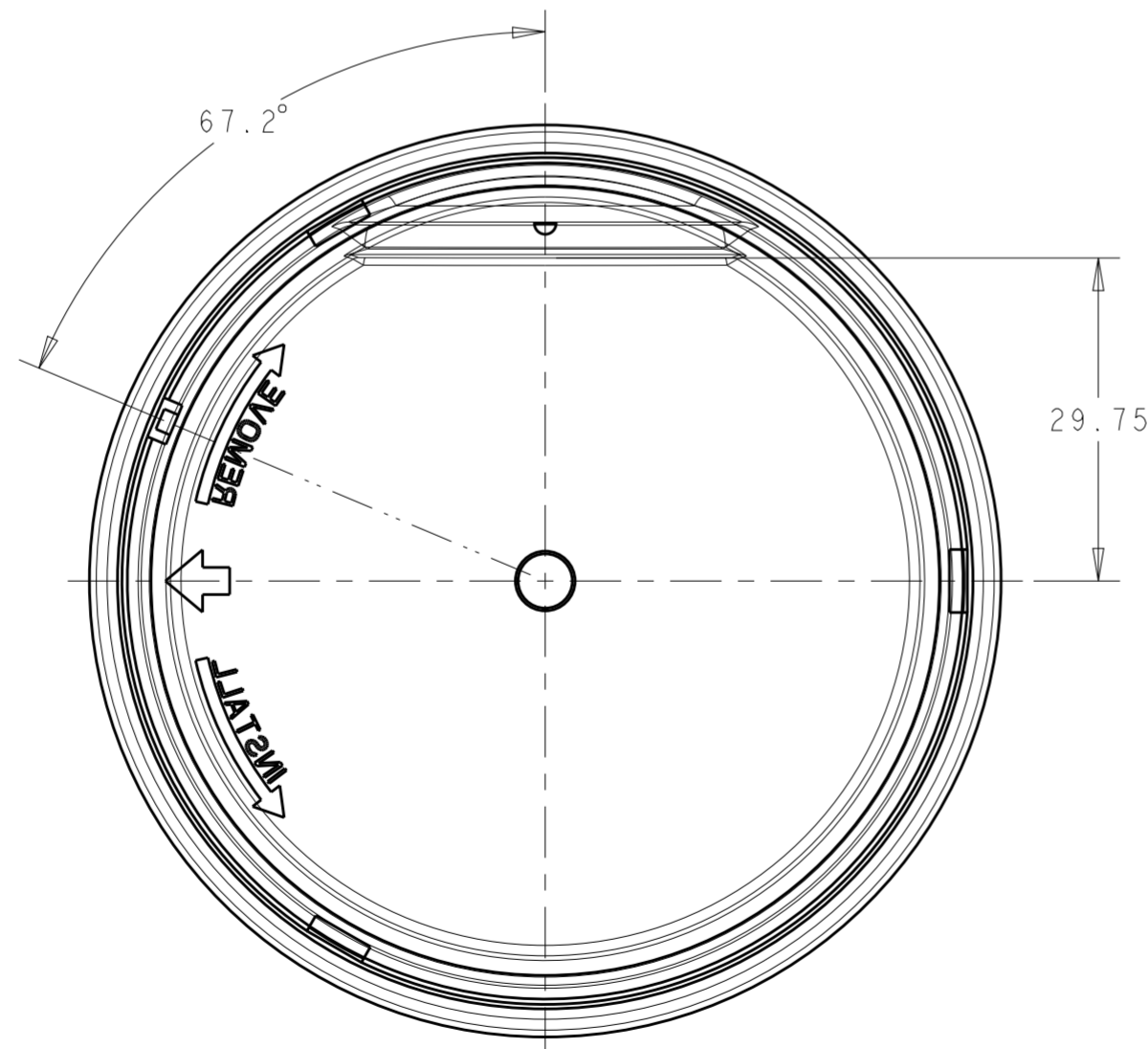
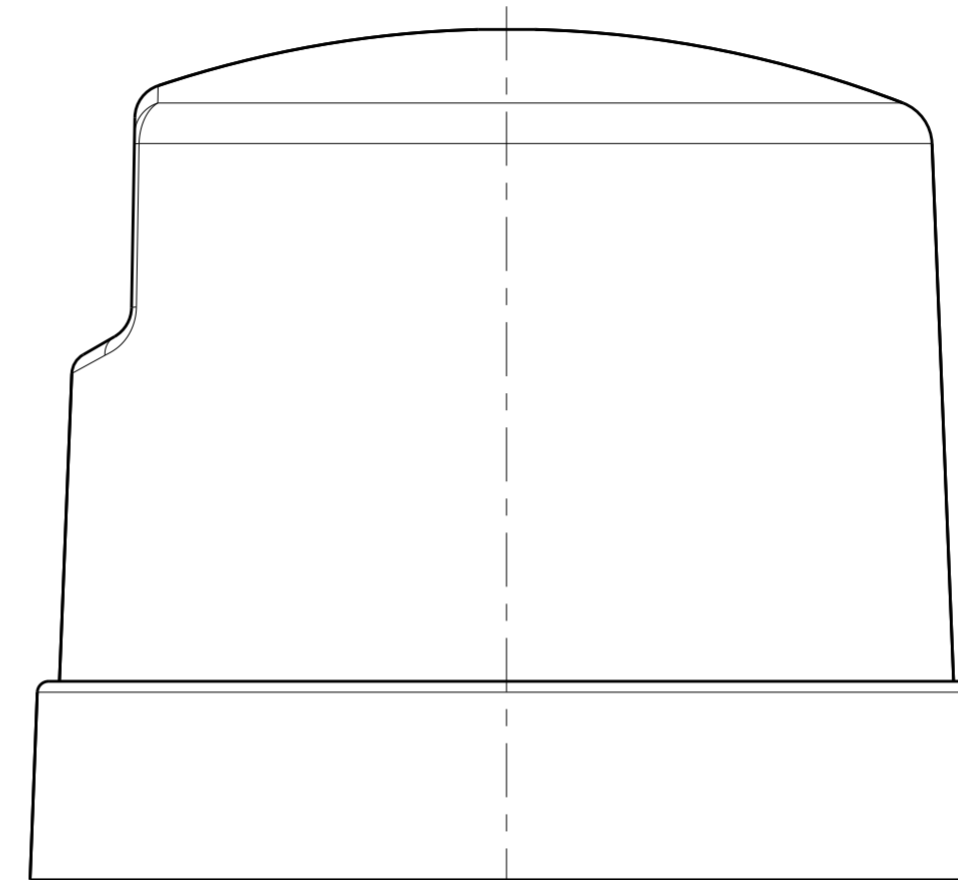
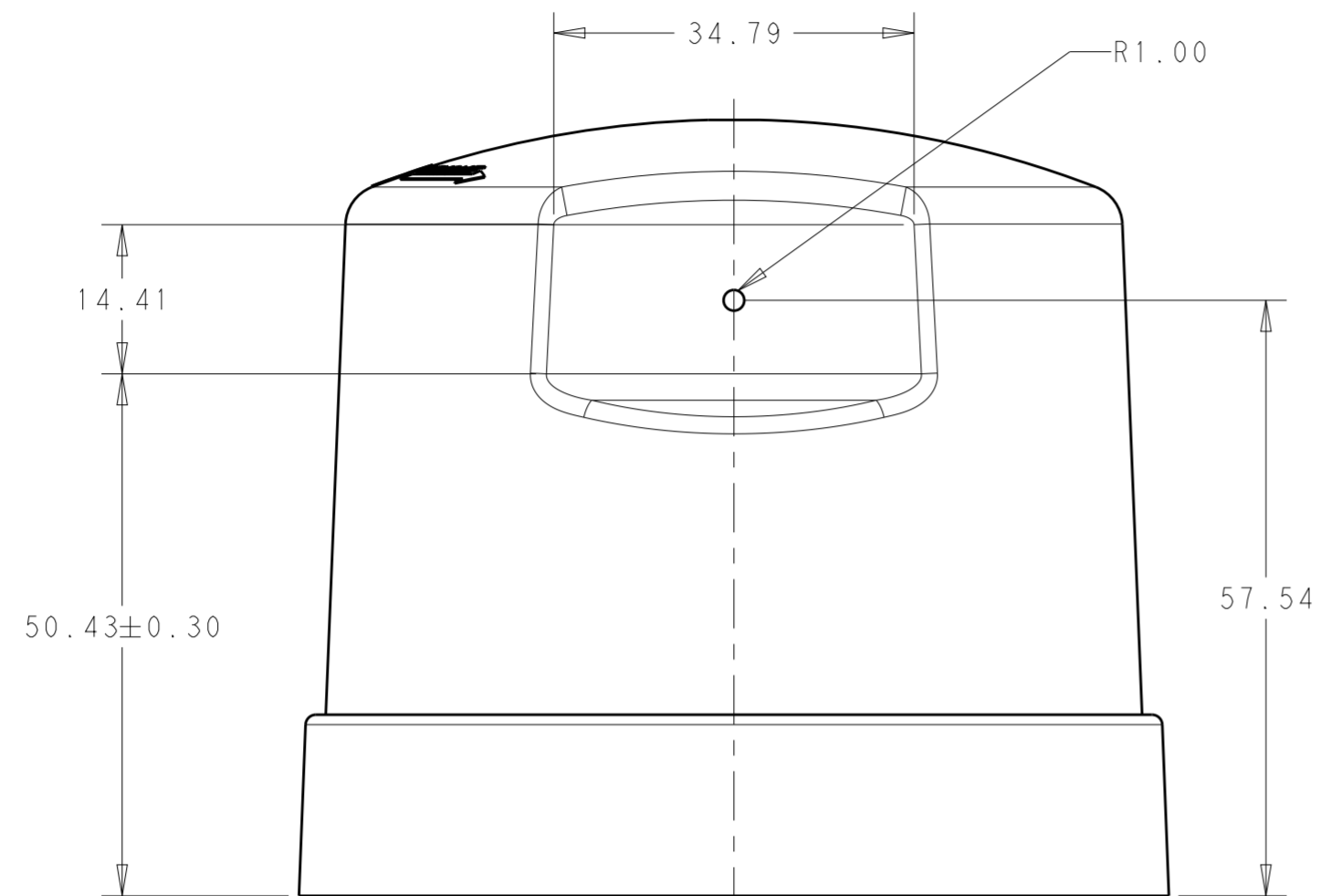
2311664-1, 2311664-2 AND 1-2311664-1
 SHOWN



THIS DRAWING IS A CONTROLLED DOCUMENT.		DWN C. DAILY 31OCT2016	STE TE Connectivity	
		CHK E. HOWARD 31OCT2016		
DIMENSIONS: mm		TOLERANCES UNLESS OTHERWISE SPECIFIED:		NAME COVER, LIGHT CONTROLLER 76mm DIA, 75mm TALL
		0 PLC ±	1 PLC ±0.3	PRODUCT SPEC
		2 PLC ±0.25	3 PLC ±	APPLICATION SPEC
		4 PLC ±	ANGLES ±3°	FINISH
MATERIAL	-	WEIGHT	-	SIZE A2
CUSTOMER DRAWING		SCALE	3:2	SHEET 2 OF 4
		REV	B2	RESTRICTED TO

THIS DRAWING IS UNPUBLISHED. RELEASED FOR PUBLICATION 20
 © COPYRIGHT 20 BY - ALL RIGHTS RESERVED.

REVISIONS				
P	LTR	DESCRIPTION	DATE	APVD
-	-	SEE SHEET 1	-	-

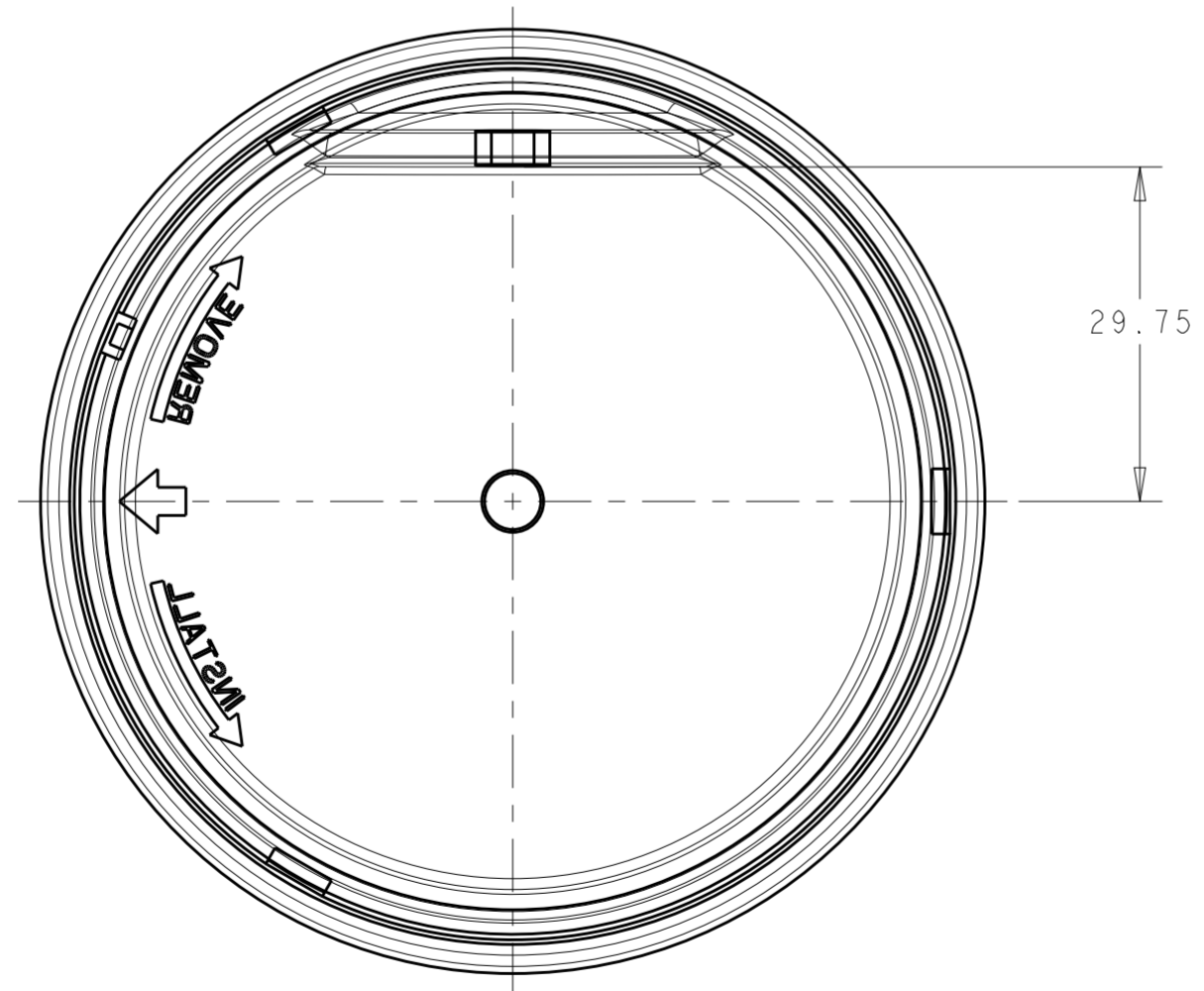
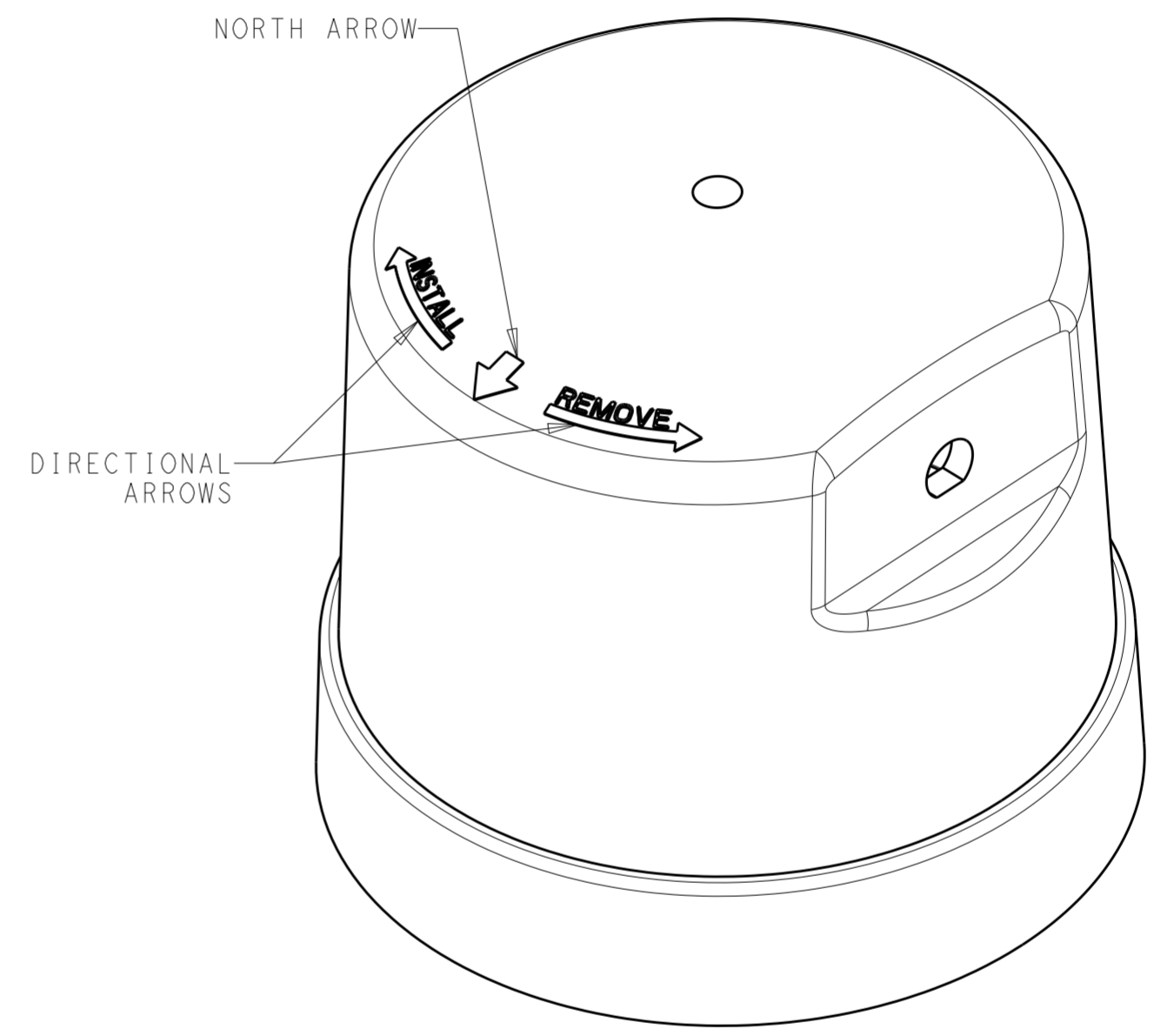
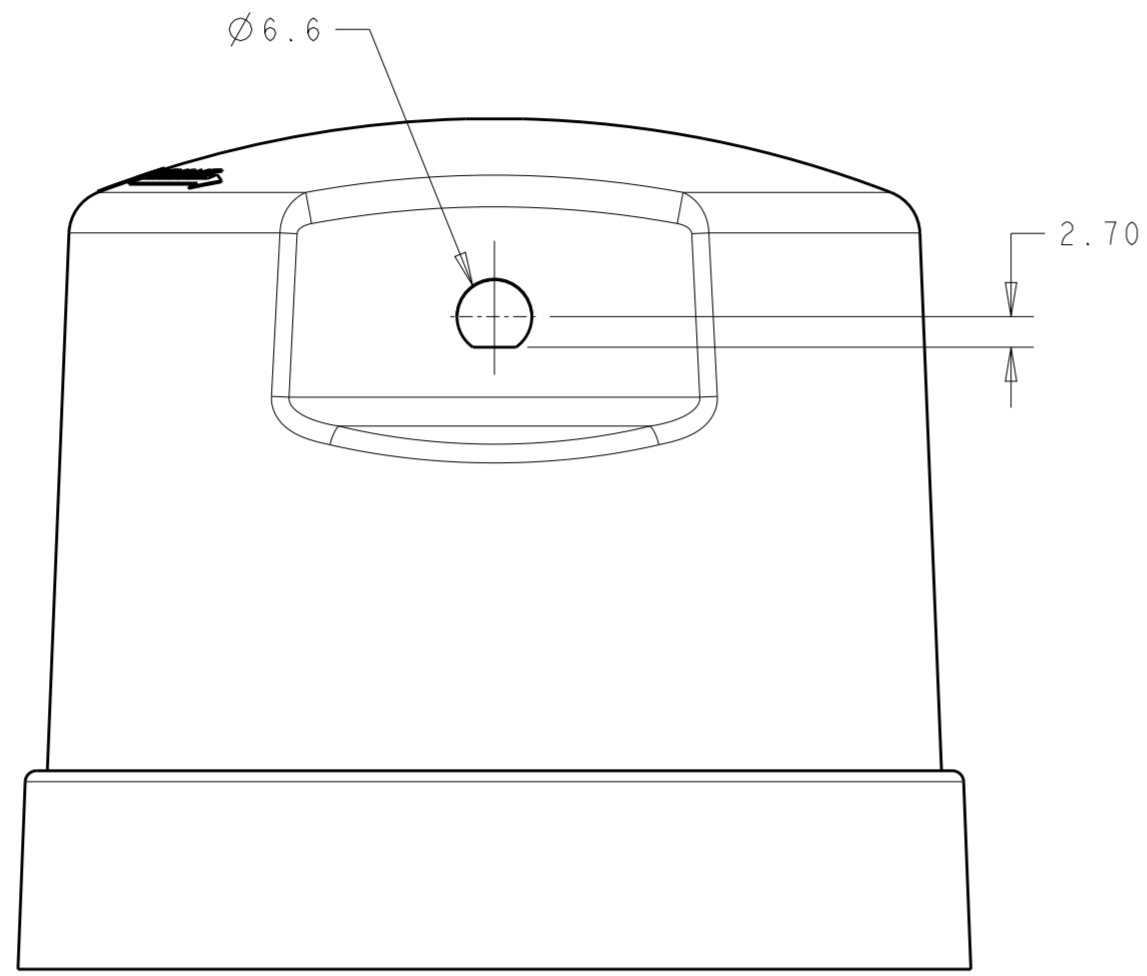


~~2-2311664-1 AND 3-2311664-1~~
 SAME AS 2311664-1
 EXCEPT AS SHOWN

THIS DRAWING IS A CONTROLLED DOCUMENT.		DWN C. DAILY 31OCT2016	STE TE Connectivity	
		CHK E. HOWARD 31OCT2016		
DIMENSIONS:		APVD -	NAME COVER, LIGHT CONTROLLER 76mm DIA, 75mm TALL	
mm	TOLERANCES UNLESS OTHERWISE SPECIFIED:	PRODUCT SPEC -	SIZE A2	
	0 PLC ±	APPLICATION SPEC -	CAGE CODE -	DRAWING NO. C-2311664
	1 PLC ±0.3	WEIGHT -	RESTRICTED TO -	SCALE 3:2
	2 PLC ±0.25	CUSTOMER DRAWING	SHEET 3 OF 4	REV B2
	3 PLC ±			
	4 PLC ±			
	ANGLES ±3°			
	FINISH			

THIS DRAWING IS UNPUBLISHED. RELEASED FOR PUBLICATION 20
 © COPYRIGHT 20 BY - ALL RIGHTS RESERVED.

REVISIONS				
P	LTR	DESCRIPTION	DATE	APVD
-	-	SEE SHEET 1	-	-



4-2311664-1 AND 5-2311664-1
 SAME AS
 2311664-1 AND 1-2311664-1
 EXCEPT AS SHOWN

THIS DRAWING IS A CONTROLLED DOCUMENT.		DWN C. DAILY 31OCT2016	STE TE Connectivity															
		CHK E. HOWARD 31OCT2016																
DIMENSIONS: mm		TOLERANCES UNLESS OTHERWISE SPECIFIED:		APVD -														
<table border="1"> <tr><td>0 PLC</td><td>±</td></tr> <tr><td>1 PLC</td><td>±0.3</td></tr> <tr><td>2 PLC</td><td>±0.25</td></tr> <tr><td>3 PLC</td><td>±</td></tr> <tr><td>4 PLC</td><td>±</td></tr> <tr><td>ANGLES</td><td>±3°</td></tr> <tr><td>FINISH</td><td>-</td></tr> </table>		0 PLC	±	1 PLC	±0.3	2 PLC	±0.25	3 PLC	±	4 PLC	±	ANGLES	±3°	FINISH	-	PRODUCT SPEC -	NAME COVER, LIGHT CONTROLLER 76mm DIA, 75mm TALL	
0 PLC	±																	
1 PLC	±0.3																	
2 PLC	±0.25																	
3 PLC	±																	
4 PLC	±																	
ANGLES	±3°																	
FINISH	-																	
MATERIAL -		APPLICATION SPEC -	SIZE A2	CAGE CODE -														
		WEIGHT -	DRAWING NO G-2311664	RESTRICTED TO -														
		CUSTOMER DRAWING	SCALE 3:2	SHEET 4 OF 4														
				REV B2														

X-ON Electronics

Largest Supplier of Electrical and Electronic Components

Click to view similar products for [LED Lighting Fixture Accessories](#) category:

Click to view products by [TE Connectivity](#) manufacturer:

Other Similar products are found below :

[XVBC081](#) [1-2315539-1](#) [2306129-1](#) [180997-0001](#) [1-2213996-1](#) [4821](#) [2702312](#) [MC39-1J-UNNU](#) [X48V](#) [XF088](#) [XG085](#) [XJ078](#) [XK075](#)
[XL073](#) [XN068](#) [XO065](#) [XP063](#) [XR058](#) [XQ060](#) [XH083](#) [XE090](#) [XS055](#) [XC095](#) [XT053](#) [XU050](#) [XV-TD](#) [4775](#) [5012](#) [5014](#) [LL01A00CSLB2](#)
[LL01A00CWGB2](#) [1301130007](#) [1301120097](#) [1301120099](#) [1301120101](#) [1301120114](#) [1301120153](#) [1301120154](#) [1301120157](#) [1301120174](#)
[1301120110](#) [1301120137](#) [1301120130](#) [1301860719](#) [1301120131](#) [1301120144](#) [1301120196](#) [1301850471](#) [2702313](#) [2702315](#)