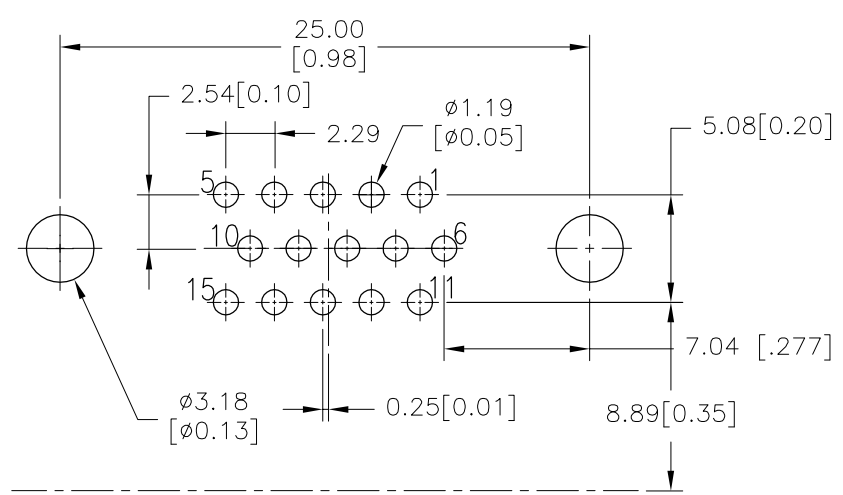
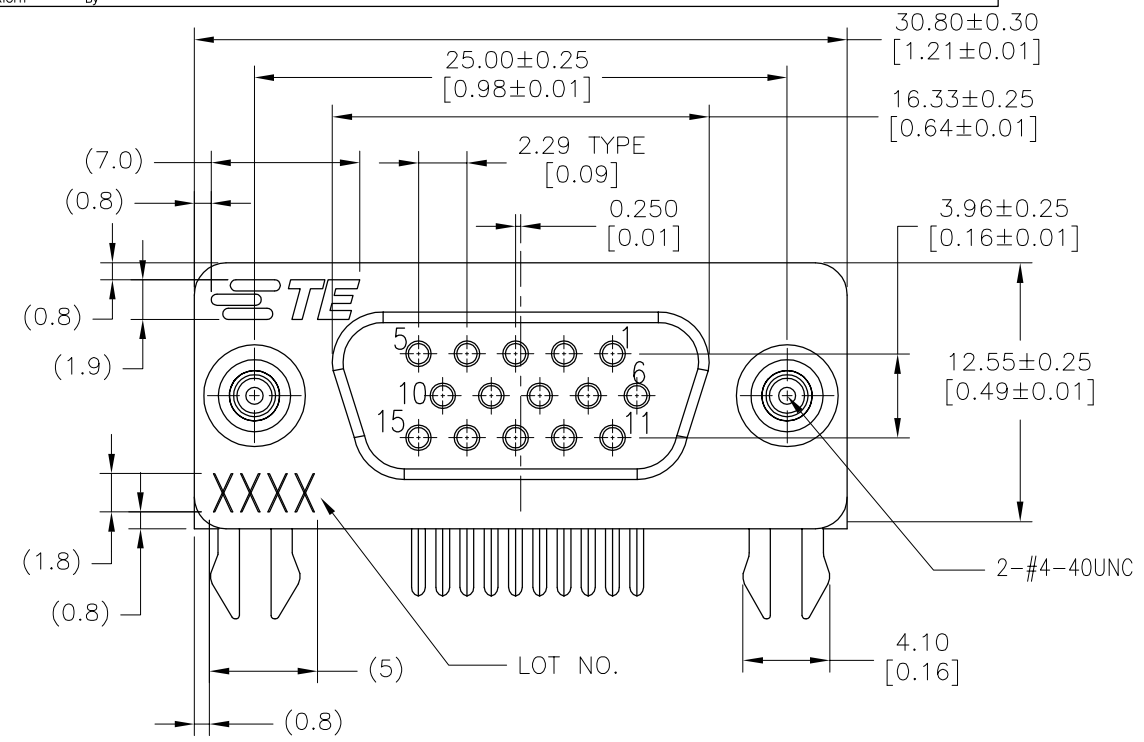


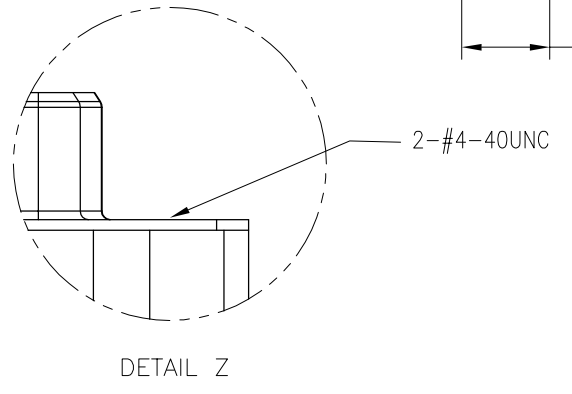
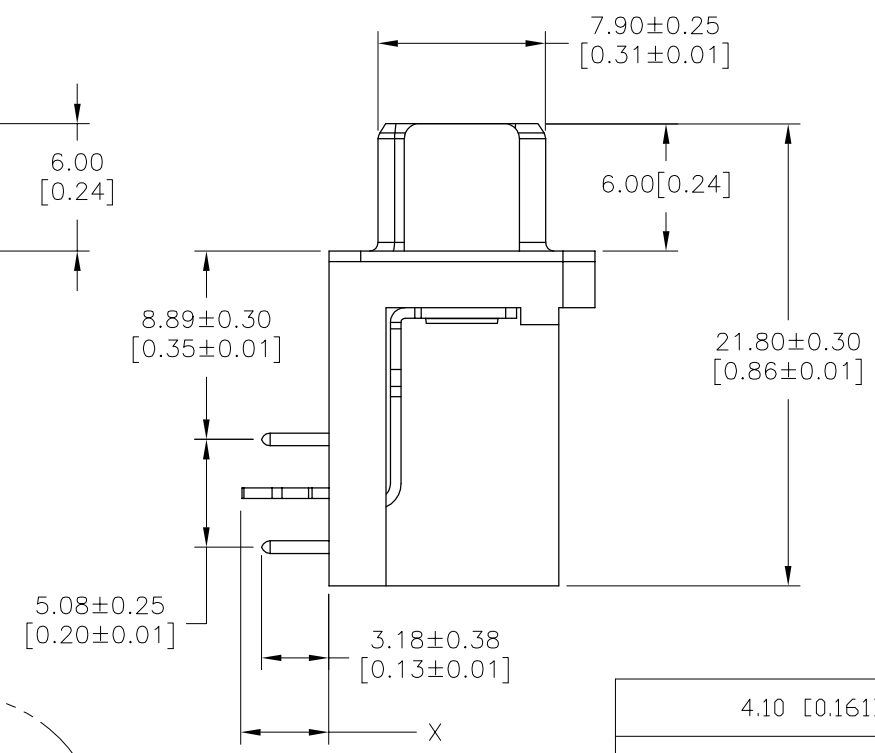
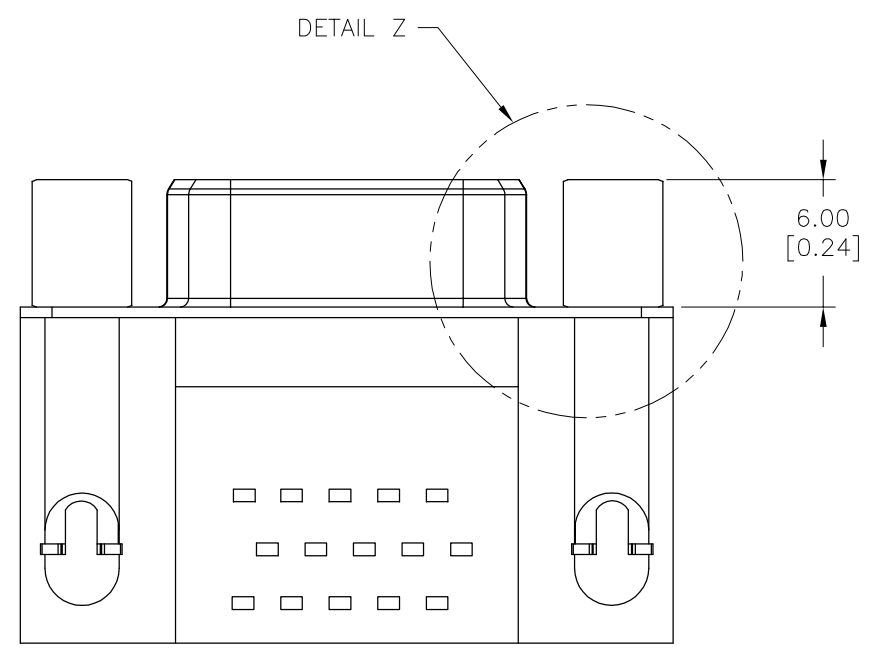
REVISIONS				
P	LTR	DESCRIPTION	DATE	APVD
D		REVISED PER ECO-18-008015	24MAY2018	AP DG

RECOMMENDED P.C.B LAYOUT(TOP SIDE)  
 (PCB BOARD TOLERANCE±0.05)



NOTES:  
 INSULATOR:PA9T+G.F UL94V-0 BLACK  
 CONTACT:PHOSPHOR BRONZE  
 " GOLD PLATING ON CONTACT AREA  
 100u" MATTE TIN PLATING ON SOLDERTAIL  
 50u" NICKEL UNDERPLATED OVERALL  
 HOLDDOWN:BRASS,100u" TIN OVER 50u" NICKEL  
 SHEEL:SPCC,50u" NICKEL PLATING OVERALL  
 SCREWLOCK:BRASS,30u" NICKEL PLATING OVERALL

LOT NUMBER "XXXX"  
 STANDS FOR CALENDAR YEAR  
 STANDS FOR WEEK NUMBER



4.10 [0.161]	THREADED SEE DETAIL Z	30μ" Au	2311763-3
4.10 [0.161]	THREADED SEE DETAIL Z	Au Flash	2311763-2
3.80 [0.150]	YES	30μ" Au	2311763-1
X ± 0.30 [± 0.012]	SCREWLOCK	Contact Area	P/N
BOARDLOCK LENGTH		Plating	

THIS DRAWING IS A CONTROLLED DOCUMENT.		DWN	03MAR2017	<b>STE</b> TE Connectivity	
DIMENSIONS: mm [INCHES]		CHK	03MAR2017		
TOLERANCES UNLESS OTHERWISE SPECIFIED:		APVD		NAME	
0 PLC ± -	1 PLC ± 0.40	GORENC, DANIEL L		AMPLIMITE RECEPTACLE, HD22, RIGHT ANGLE, 15P	
2 PLC ± 0.25	3 PLC ± 0.15	GORENC, DANIEL L		-	
4 PLC ± -	ANGLES ± 3'	PRODUCT SPEC		-	
MATERIAL	FINISH	APPLICATION SPEC		SIZE	
-	-	108-130023		CAGE CODE	
		WEIGHT		DRAWING NO	
		A2		00779	
		CUSTOMER DRAWING		RESTRICTED TO	
		SCALE 1:1		SHEET 1 of 1	
		REV D			

## X-ON Electronics

Largest Supplier of Electrical and Electronic Components

*Click to view similar products for [D-Sub High Density Connectors](#) category:*

*Click to view products by [TE Connectivity](#) manufacturer:*

Other Similar products are found below :

[97-3250-11](#) [163A16809X](#) [163A17089X](#) [164A17199X](#) [164C18629X](#) [242A25680X](#) [L717HDB44POL2R210](#) [L717HDEH15POL2](#)  
[L777HDE15P](#) [L77HDE15SC309](#) [163A16759X](#) [163A16839X](#) [163A16989X](#) [163A17079X](#) [164A17329X](#) [164A18219X](#) [241A16440X](#)  
[241A16550X](#) [241A16680X](#) [241A20810X](#) [241A25740X](#) [CT25-44P](#) [MDBE15PE766](#) [L177HDE15SOL2RM23](#) [L177HRC62S](#)  
[L177HRC62SVFM](#) [L177HRCG62S](#) [L717HDEG15POL2RM5](#) [L77HDA26SVF](#) [L77HDE15SD1CO](#) [L77HDEH15SOL2RM832](#) [443895-3](#)  
[106698-1](#) [280-012K2C](#) [L177HRB44S](#) [164A17039X](#) [09562004701510](#) [164A17969X](#) [L777HRC62P](#) [241A17960X](#) [164A18269X](#)  
[L777HDEG15P](#) [280-018P3S25MEGN](#) [206504-2](#) [40-9515HDSP](#) [2057140-1](#) [C115370-6002](#) [DFMA104SNMBFR172FR022](#) [HDC9F200E2S](#)  
[L717HDAG26POL2RM8](#)